



US00D789666S

(12) **United States Design Patent**  
**Crewdson**

(10) **Patent No.:** **US D789,666 S**

(45) **Date of Patent:** **\*\* Jun. 20, 2017**

- (54) **CUSHION PAD**
- (71) Applicant: **TALAR-MADE LIMITED,**  
Chesterfield Derbysh (GB)
- (72) Inventor: **Bernard Martin Crewdson,**  
Chesterfield Derbysh (GB)
- (73) Assignee: **TALAR-MADE LIMITED,**  
Chesterfield Derbysh (GB)
- (\*\*) Term: **15 Years**
- (21) Appl. No.: **29/557,670**
- (22) Filed: **Mar. 10, 2016**
- (51) **LOC (10) Cl.** ..... **02-04**
- (52) **U.S. Cl.**  
USPC ..... **D2/961**
- (58) **Field of Classification Search**  
USPC ..... D2/896, 946, 947, 951, 960, 961, 968,  
D2/976; D6/595, 596, 601, 604, 605  
CPC .... A43B 1/00; A43B 3/00; A43B 7/00; A43B  
7/02; A43B 7/025; A43B 7/06; A43B  
7/08; A43B 7/081; A43B 7/082; A43B  
7/084; A43B 7/085; A43B 7/087; A43B  
7/088; A43B 7/14; A43B 7/1405; A43B  
7/141; A43B 7/1415; A43B 7/142; A43B  
7/1425; A43B 7/143; A43B 7/1435; A43B  
7/144; A43B 7/1445; A43B 7/145; A43B  
7/1455; A43B 7/146; A43B 7/1465; A43B  
7/147; A43B 7/1475; A43B 7/148; A43B  
7/1485; A43B 7/149; A43B 7/32; A43B  
7/34; A43B 7/38  
See application file for complete search history.

- 4,912,861 A \* 4/1990 Huang ..... A43B 5/0407  
36/29
- 5,042,176 A \* 8/1991 Rudy ..... A43B 13/203  
36/153
- D350,432 S \* 9/1994 Saez ..... D2/961
- D351,056 S \* 10/1994 Auger ..... D2/961
- D363,816 S \* 11/1995 Sarkinen ..... D2/961
- D364,035 S \* 11/1995 Lee ..... D2/961
- D364,036 S \* 11/1995 Passke ..... D2/961
- D374,761 S \* 10/1996 Sell, Jr. .... D2/961
- 5,799,415 A \* 9/1998 Kenji ..... A43B 17/08  
36/3 R
- D460,854 S \* 7/2002 Hung ..... D2/946
- D505,537 S \* 5/2005 Friedman ..... D2/961
- D606,292 S \* 12/2009 Ong ..... D2/947
- D620,693 S \* 8/2010 Bobbett ..... D2/961
- D677,456 S \* 3/2013 Knight ..... D2/961
- D696,845 S \* 1/2014 Weaver, II ..... D2/961
- D747,086 S \* 1/2016 Manning ..... D2/961

(Continued)

*Primary Examiner* — Elizabeth J Oswecki

(74) *Attorney, Agent, or Firm* — Lee & Hayes, PLLC

(57) **CLAIM**

The ornamental design for a cushion pad, as shown and described.

**DESCRIPTION**

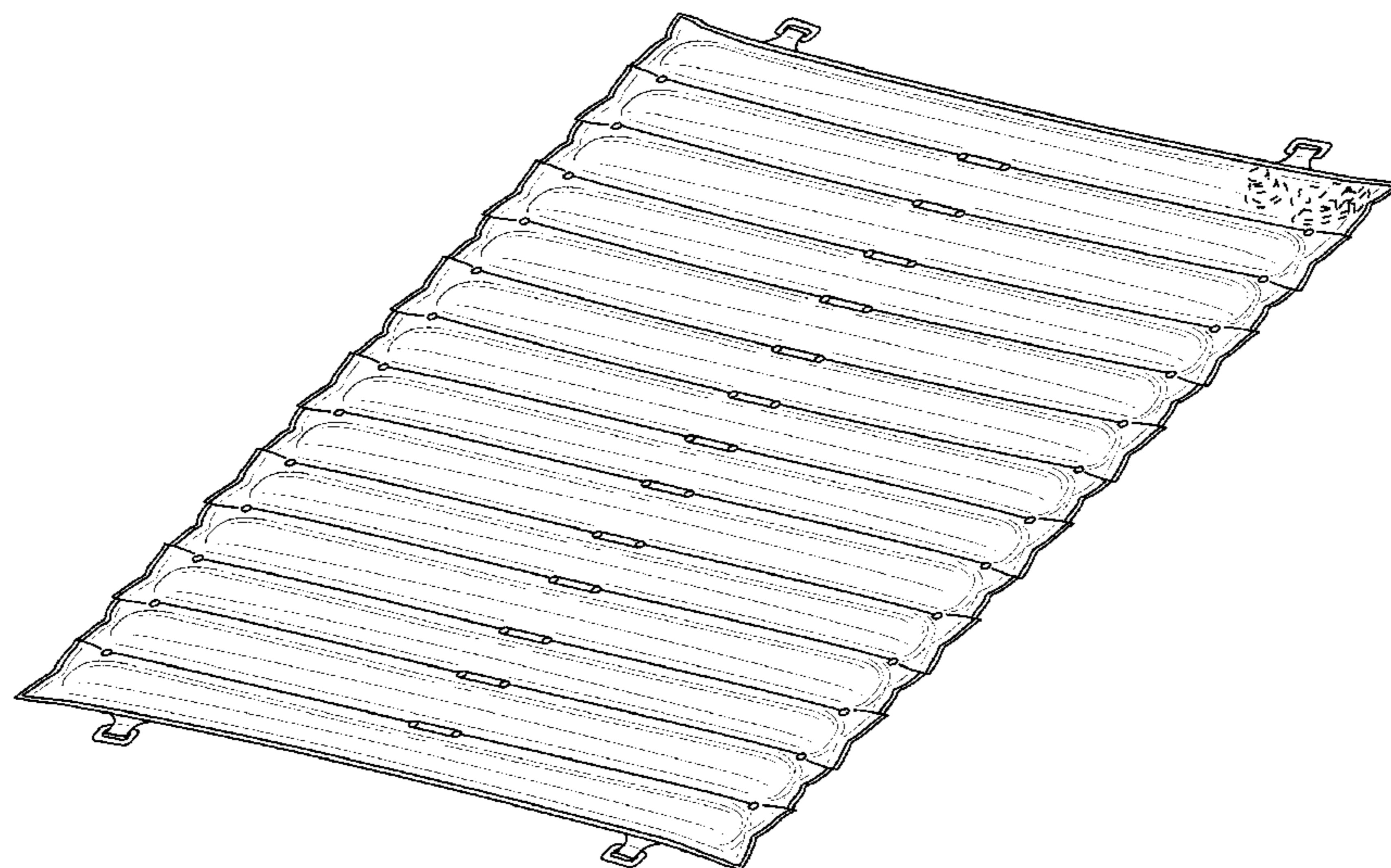
FIG. 1 is a perspective view of a cushion pad showing my new design;  
 FIG. 2 is a bottom view thereof;  
 FIG. 3 is a top view thereof;  
 FIG. 4 is a left side view thereof;  
 FIG. 5 is a right side view thereof;  
 FIG. 6 is a front view thereof; and,  
 FIG. 7 is a back view thereof.  
 The broken lines shown in the drawings represent portions of the cushion pad that form no part of the claimed design.

**1 Claim, 5 Drawing Sheets**

(56) **References Cited**

**U.S. PATENT DOCUMENTS**

- 4,747,219 A \* 5/1988 Ammendolea ..... A43B 13/182  
36/11.5
- D300,084 S \* 3/1989 Ito ..... D2/961



(56)

**References Cited**

U.S. PATENT DOCUMENTS

2010/0263232 A1\* 10/2010 Smirman ..... A43B 5/1641  
36/43

\* cited by examiner

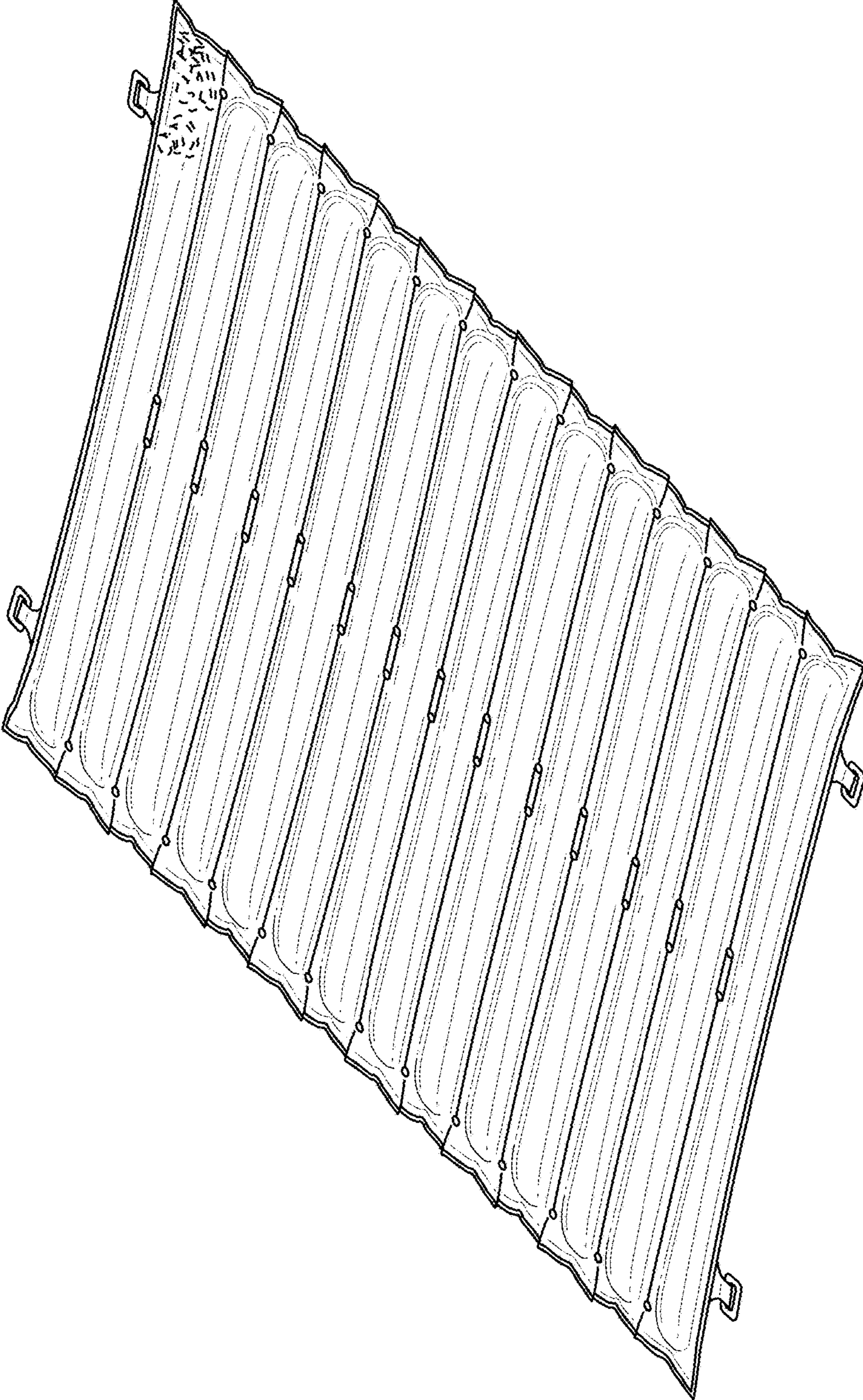


FIG. 1



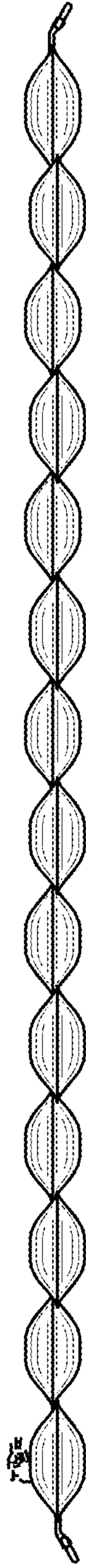


FIG. 2

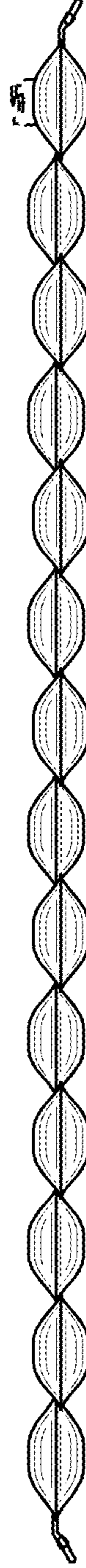


FIG. 3



FIG. 5

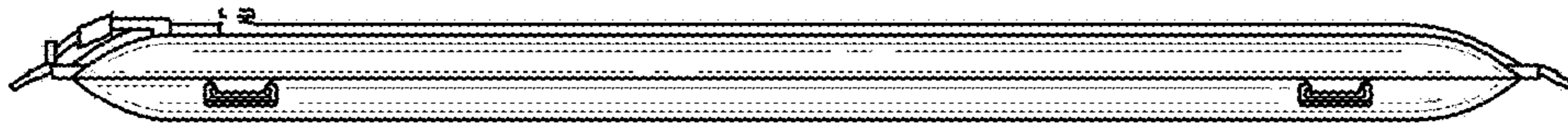


FIG. 4

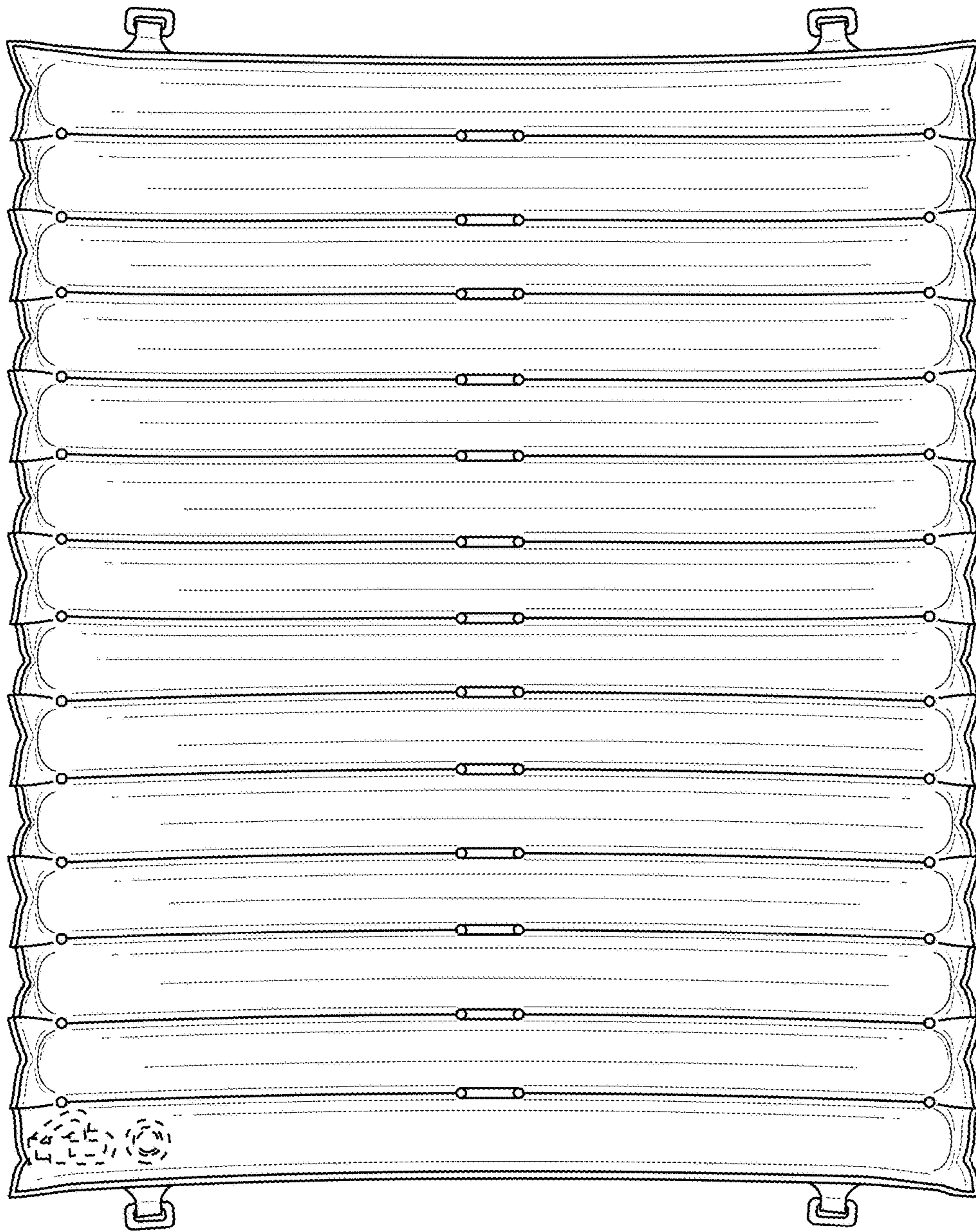


FIG. 6

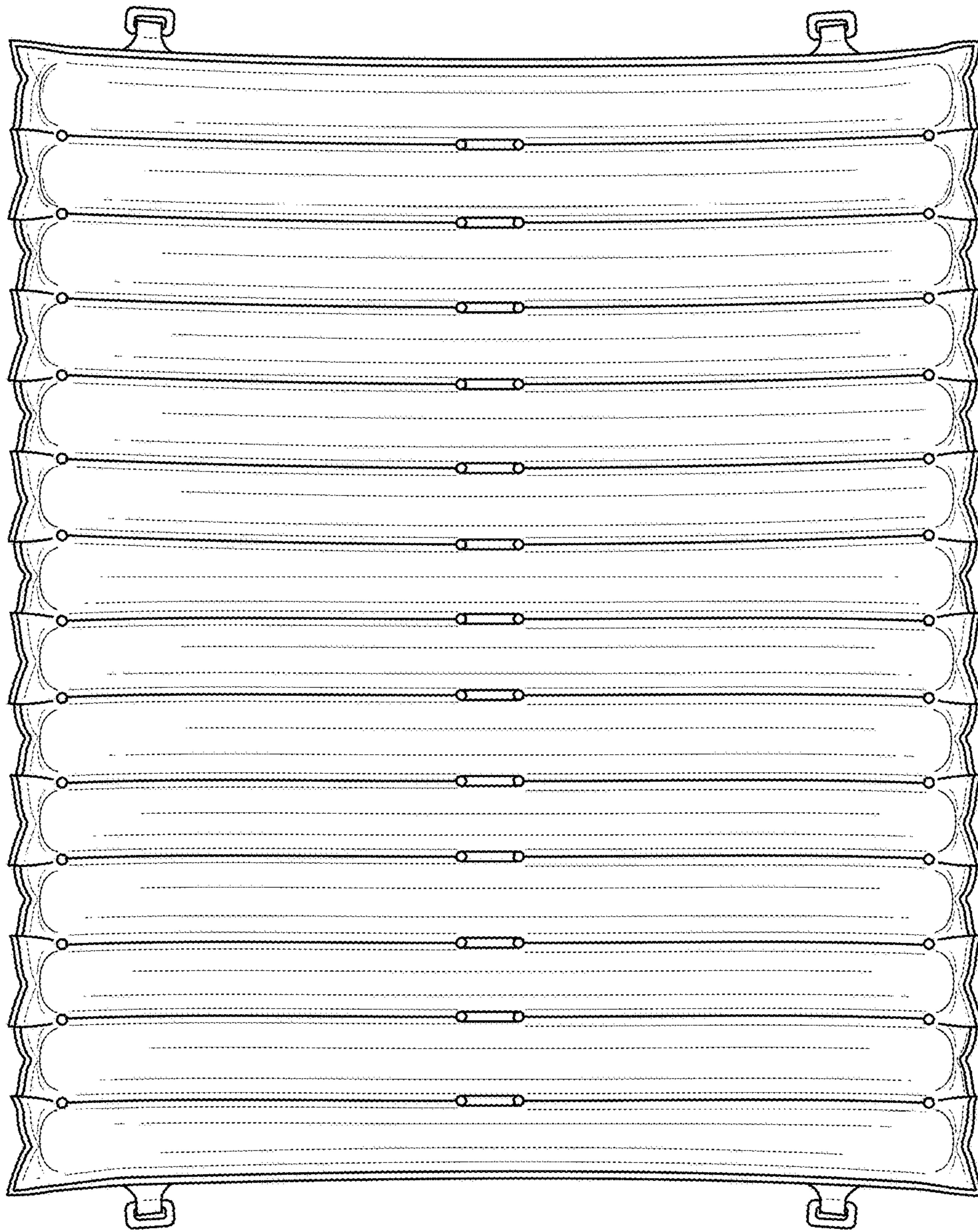


FIG. 7