



US00D789658S

(12) **United States Design Patent** (10) **Patent No.:** **US D789,658 S**
Curtis (45) **Date of Patent:** **** Jun. 20, 2017**

(54) **ATHLETIC GARMENT WITH INTEGRATED BRA**

D767,256 S * 9/2016 Adrovic D2/731
D767,856 S * 10/2016 Adrovic D2/731
D778,537 S * 2/2017 Adrovic D2/731

(Continued)

(71) Applicant: **Camille Curtis**, Castle Rock, CO (US)

(72) Inventor: **Camille Curtis**, Castle Rock, CO (US)

(**) Term: **15 Years**

(21) Appl. No.: **29/557,850**

(22) Filed: **Mar. 12, 2016**

(51) **LOC (10) Cl.** **02-02**

(52) **U.S. Cl.**
USPC **D2/841**

(58) **Field of Classification Search**
USPC D2/731, 841, 706, 709, 853, 847, 711,
D2/825, 826, 858, 831, 840, 741, 842,
D2/824

CPC A41C 3/00; A41C 3/08; A41C 3/12; A41D
3/02; A41D 3/08

See application file for complete search history.

(56) **References Cited**

U.S. PATENT DOCUMENTS

- 4,538,614 A * 9/1985 Henderson A41C 3/0057
2/1
- 4,816,005 A * 3/1989 Braaten A41C 3/02
450/58
- D341,471 S * 11/1993 Cross D2/717
- 5,946,726 A * 9/1999 Green A41C 3/0057
2/102
- 7,090,558 B2 * 8/2006 Ott A41C 3/0057
2/69
- D630,002 S * 1/2011 Brown D2/741
- D641,129 S * 7/2011 Zarabi D2/703
- D661,051 S * 6/2012 Brooks D2/700
- 8,832,862 B1 * 9/2014 Solis A41C 3/0057
2/67
- 8,870,624 B2 10/2014 Hopkins
- D724,817 S * 3/2015 Randall D2/708
- D747,846 S * 1/2016 Borovicka D2/750

OTHER PUBLICATIONS

Hard Candy Sport Juniors Athletic Tank with Zipper. Sold by Walmart via www.walmart.com. Feb. 9, 2015.

(Continued)

Primary Examiner — Kevin Rudzinski

(74) *Attorney, Agent, or Firm* — Lee G. Meyer, Esq.; Meyer & Associates, LLC

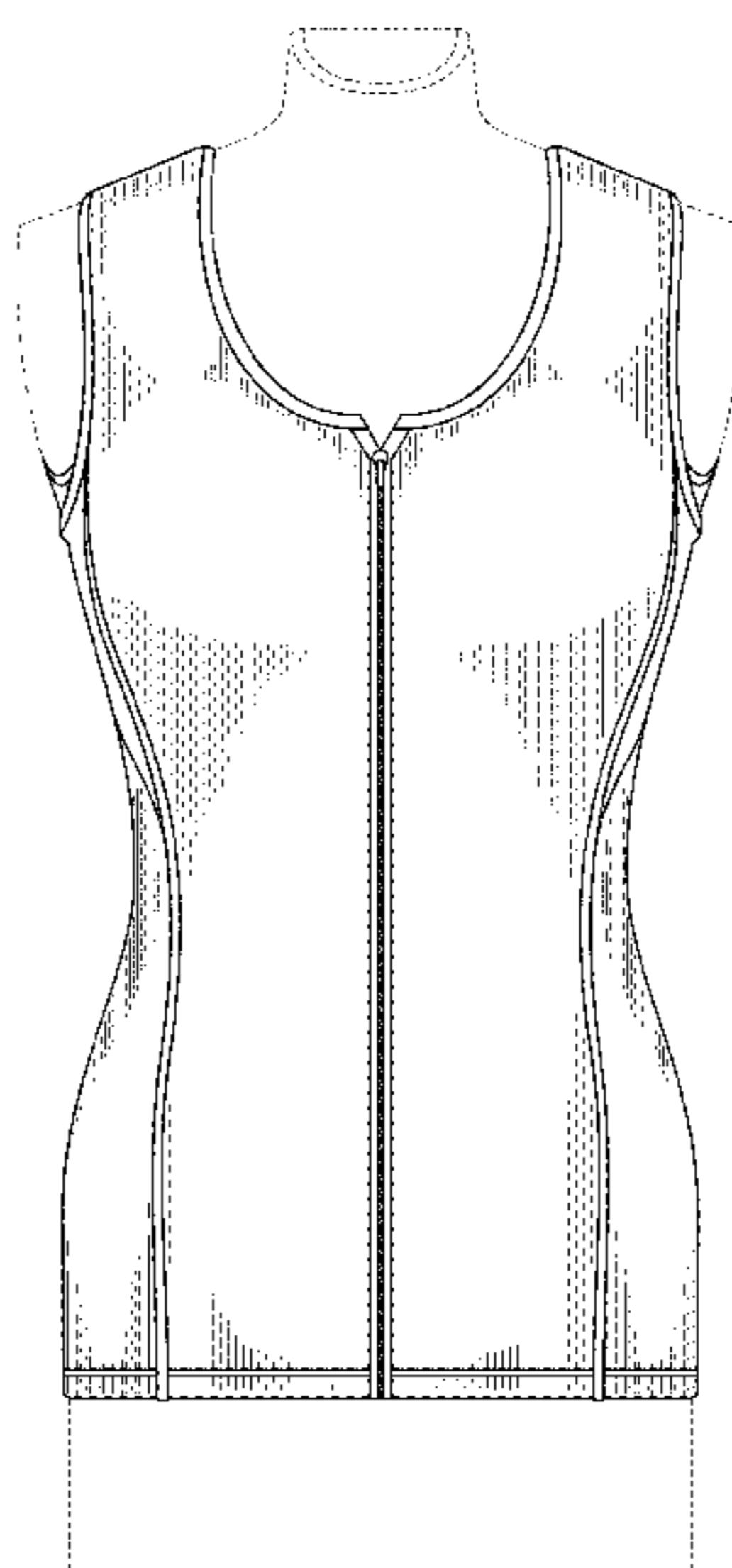
(57) **CLAIM**

The ornamental design for an athletic garment with integrated bra, as shown and described.

DESCRIPTION

FIG. 1 is a front elevational view of the athletic garment with integrated bra showing my new design;
 FIG. 2 is a rear elevational view thereof;
 FIG. 3 is a right elevational view thereof;
 FIG. 4 is a left elevational view thereof;
 FIG. 5 is a top plan view thereof;
 FIG. 6 is a bottom plan view thereof;
 FIG. 7 is a front elevational view thereof with the athletic garment unfastened and the integrated bra fastened;
 FIG. 8 is a left side elevational view thereof as shown in FIG. 7;
 FIG. 9 is right side elevational view thereof as shown in FIG. 7;
 FIG. 10 is a pictorial view thereof showing the integration of the bra and the garment; and,
 FIG. 11 is a front elevational view thereof with the athletic garment unfastened and the integrated bra unfastened.
 The broken lines shown in the drawings illustrate environment and form no part of the design as claimed.

1 Claim, 11 Drawing Sheets



(56)

References Cited

U.S. PATENT DOCUMENTS

D779,164 S * 2/2017 Dehlsen D2/840
9,578,901 B2 * 2/2017 Randall A41C 3/0057
2012/0045967 A1 * 2/2012 Punsal A41C 3/0057
450/82
2012/0142252 A1 * 6/2012 Hopkins A41C 3/08
450/31
2015/0080860 A1 * 3/2015 Farrell A41C 3/0064
604/540

OTHER PUBLICATIONS

Scuba Coco Control Neoprene One Piece Swimsuit. Sold by Her-Room via www.herroom.com. Feb. 15, 2015.

Marika Curves Adriana Racerback Sports Bra, Sold by Nordstrom via www.nordstrom.com. Nov. 11, 2015.

Monreal London Colour Block Sports Bra—Gente Roma—Farfetch. Sold via www.farfetch.com. Jul. 25, 2014.

Skirt Sports Zip 'Em Up Bra. Sold via www.roadrunnersports.com. Jan. 12, 2016.

* cited by examiner

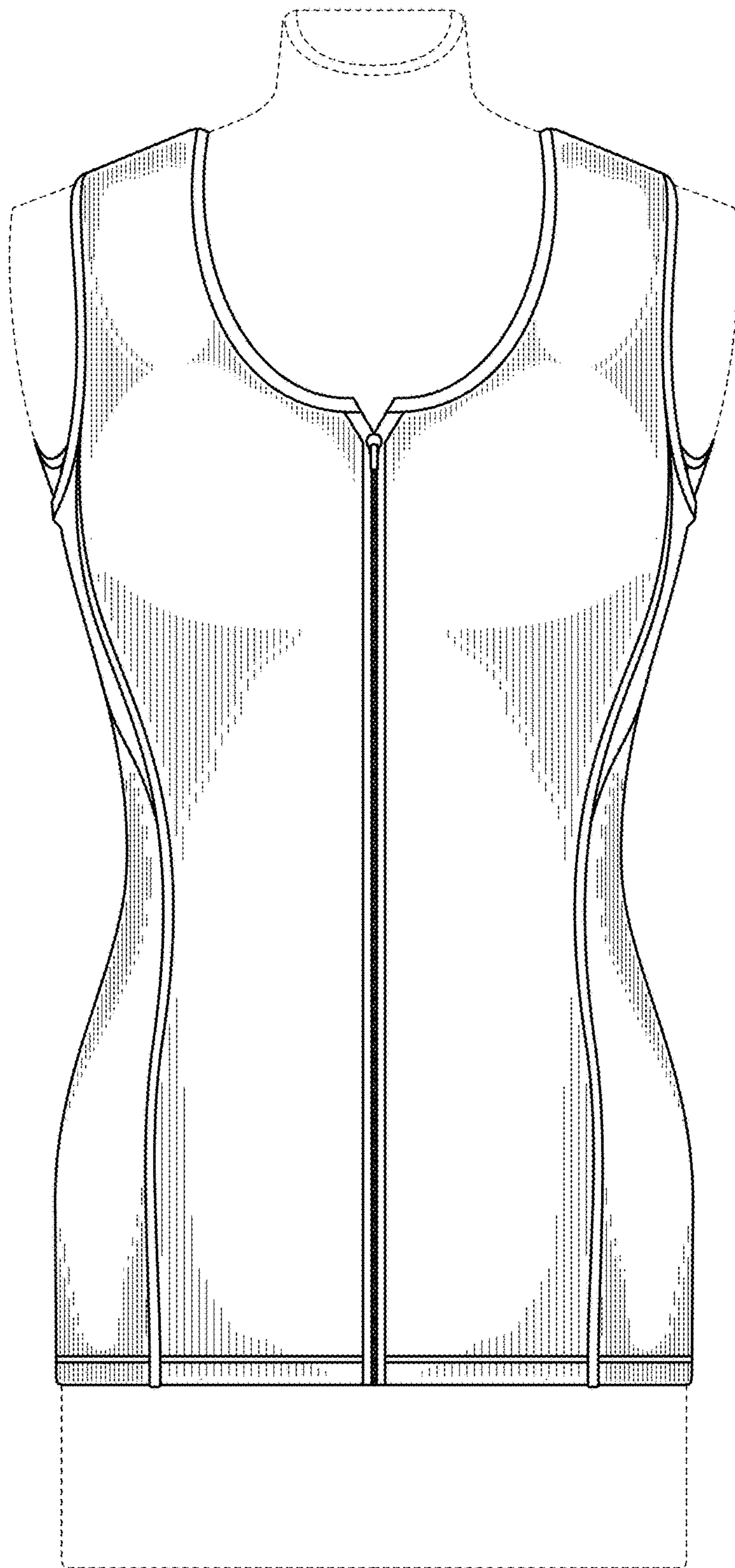


Fig. 1

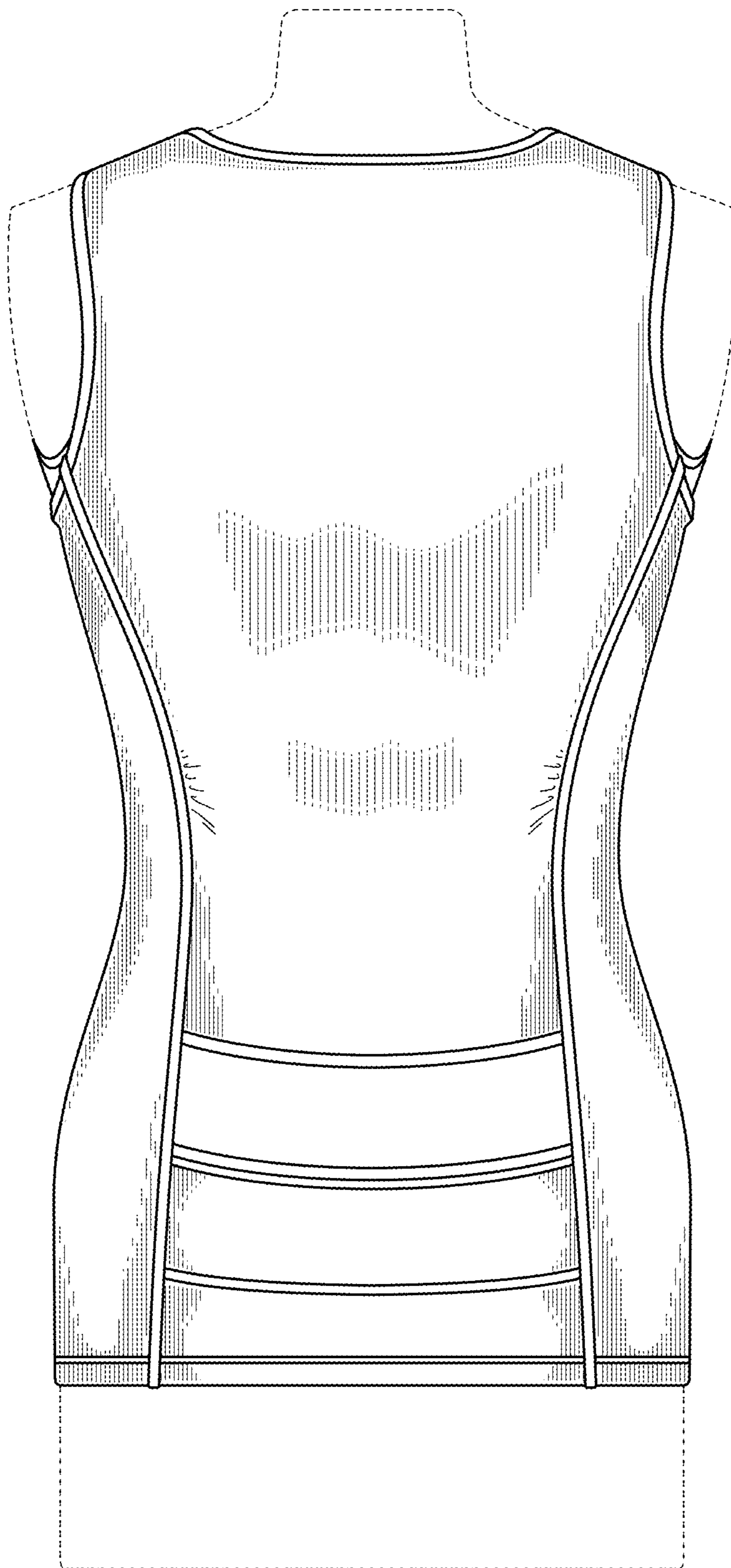


Fig. 2

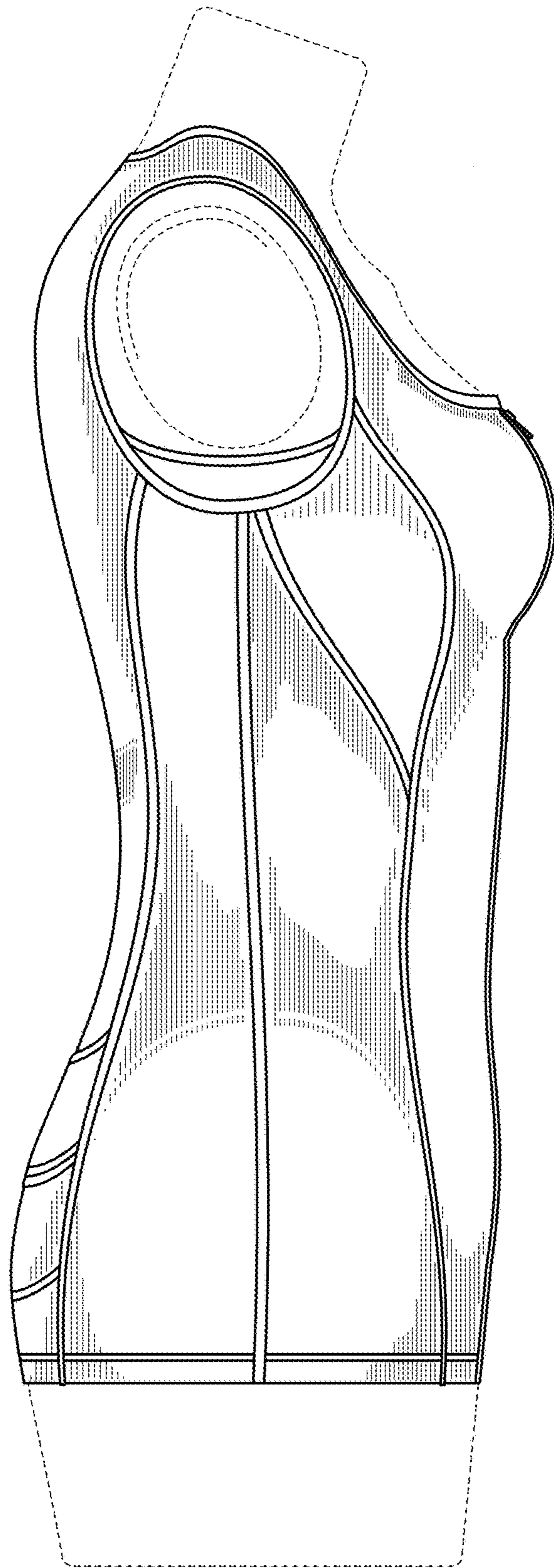


Fig. 3

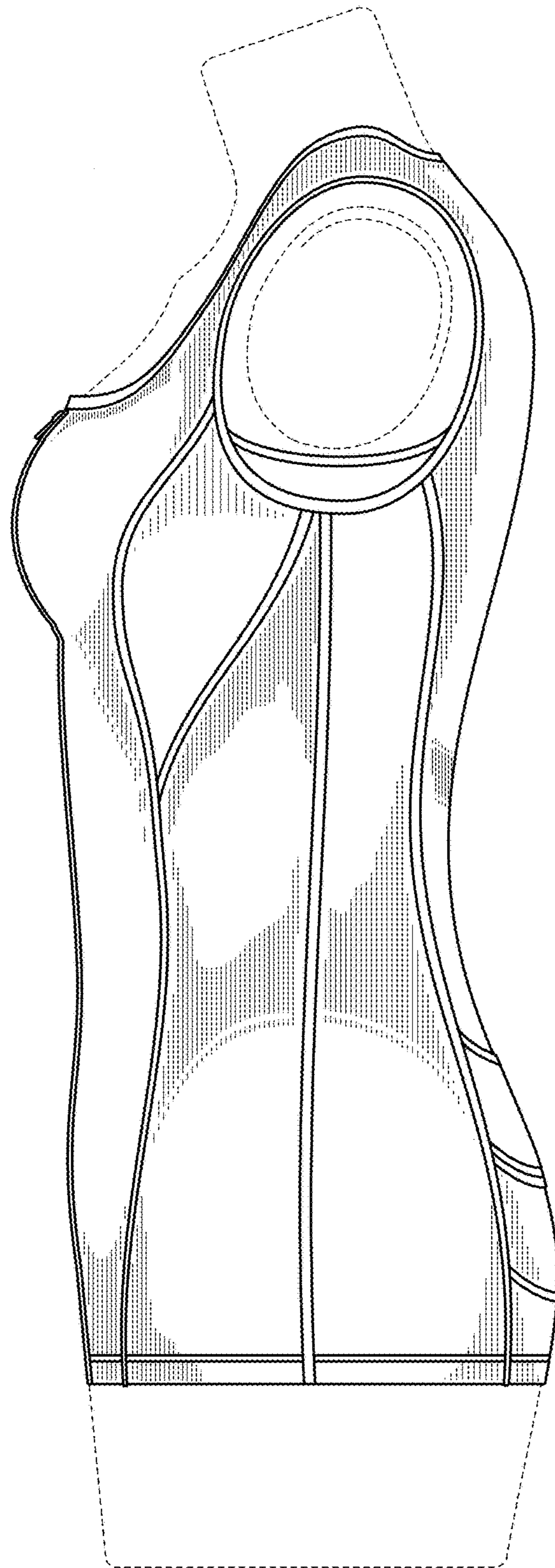


Fig. 4

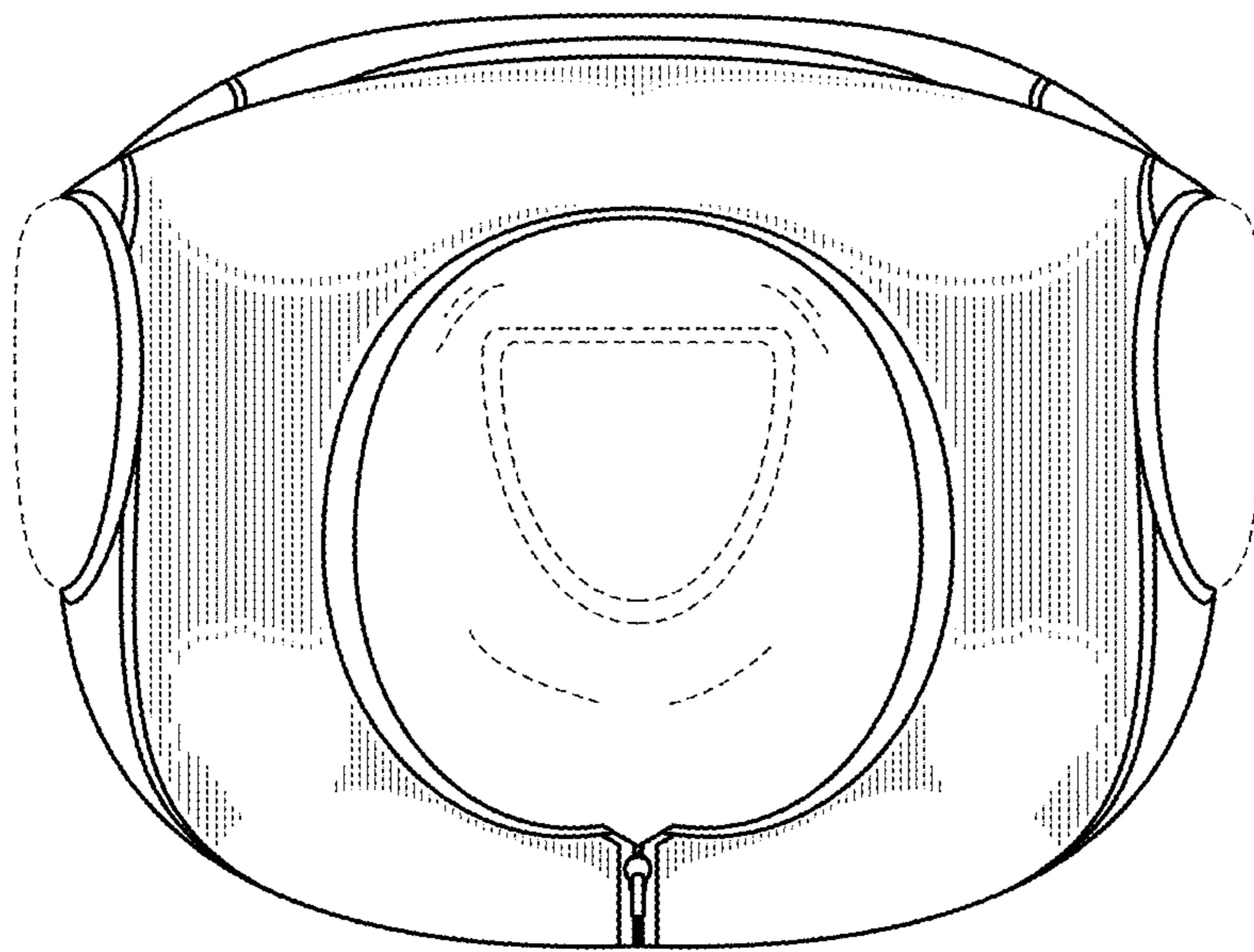


Fig. 5

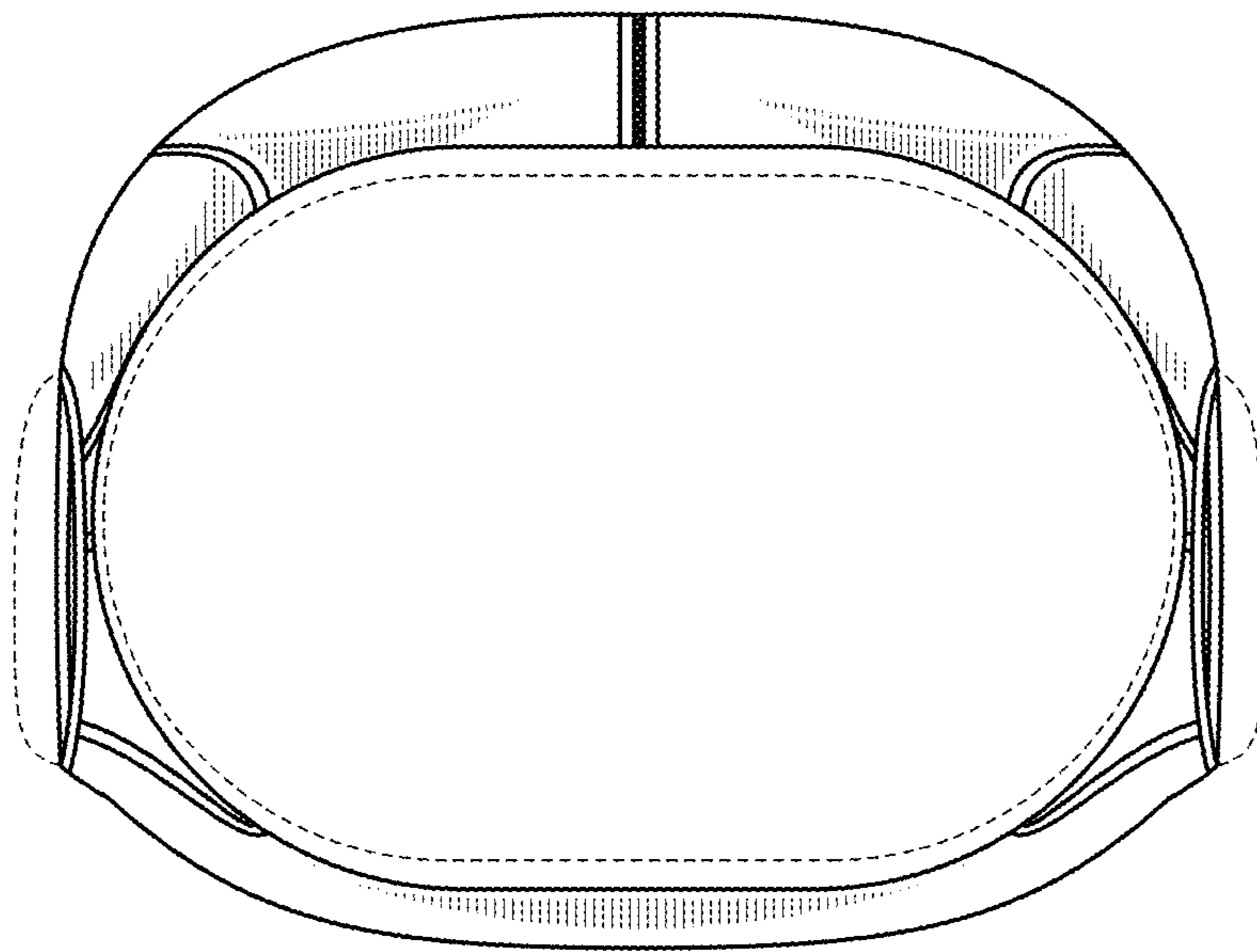


Fig. 6

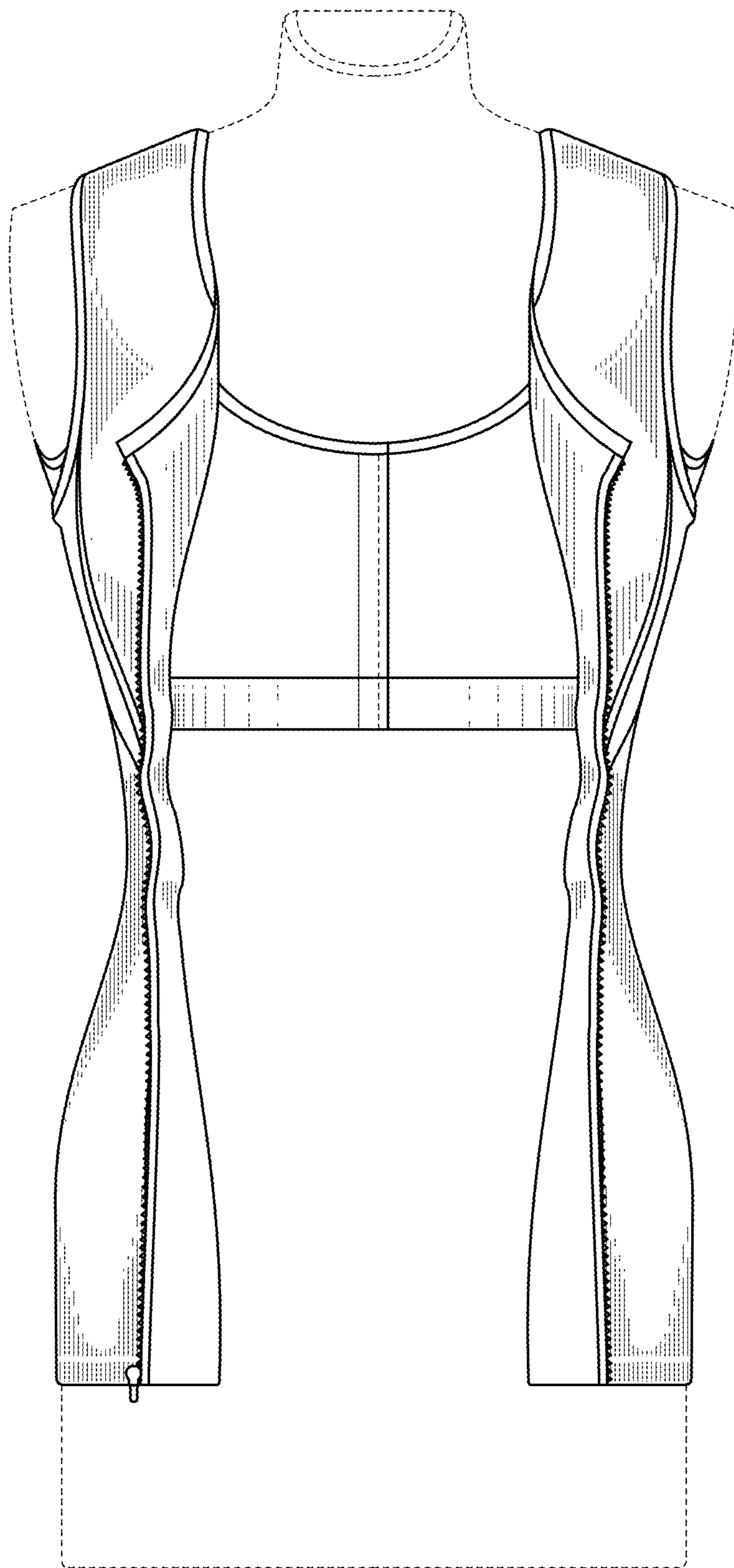


Fig. 7

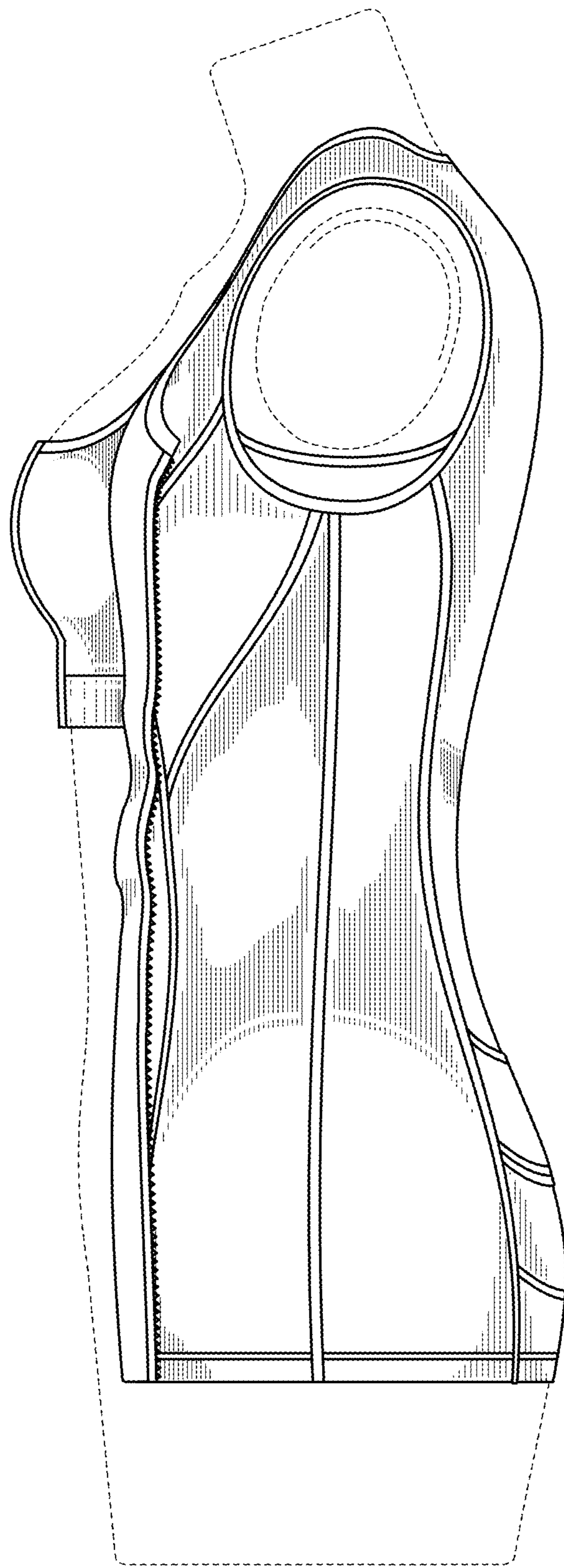


Fig. 8

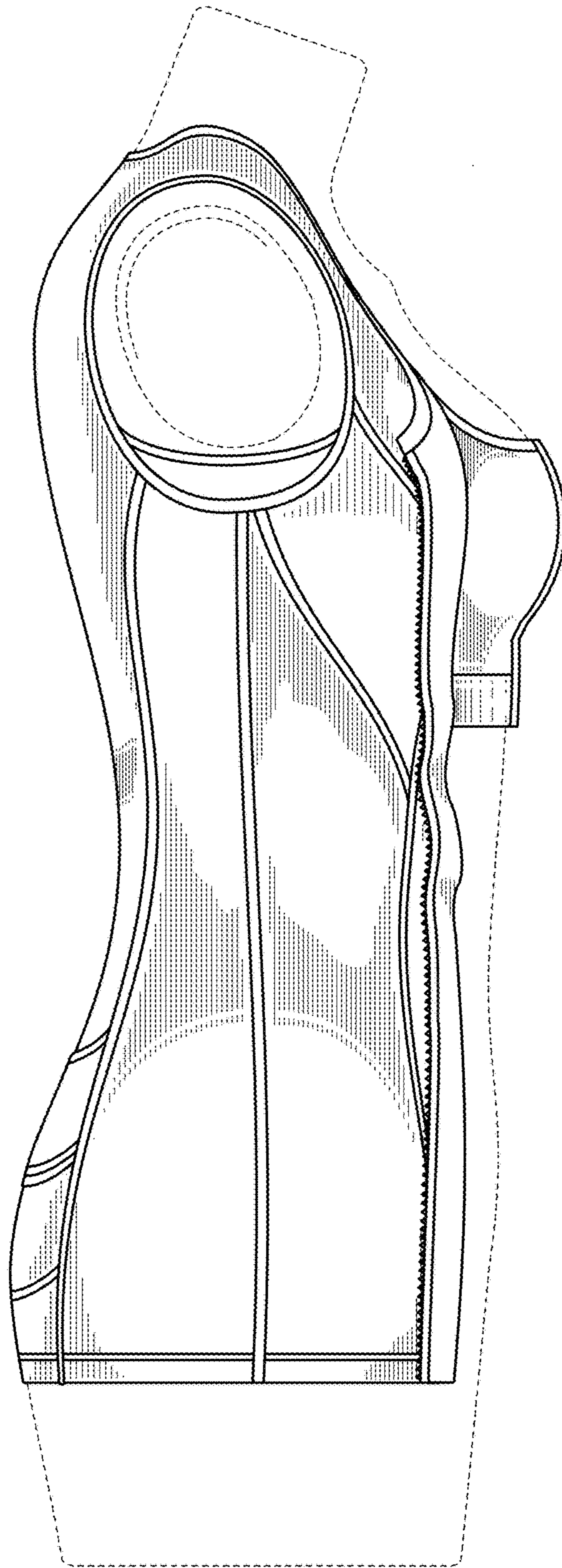


Fig. 9

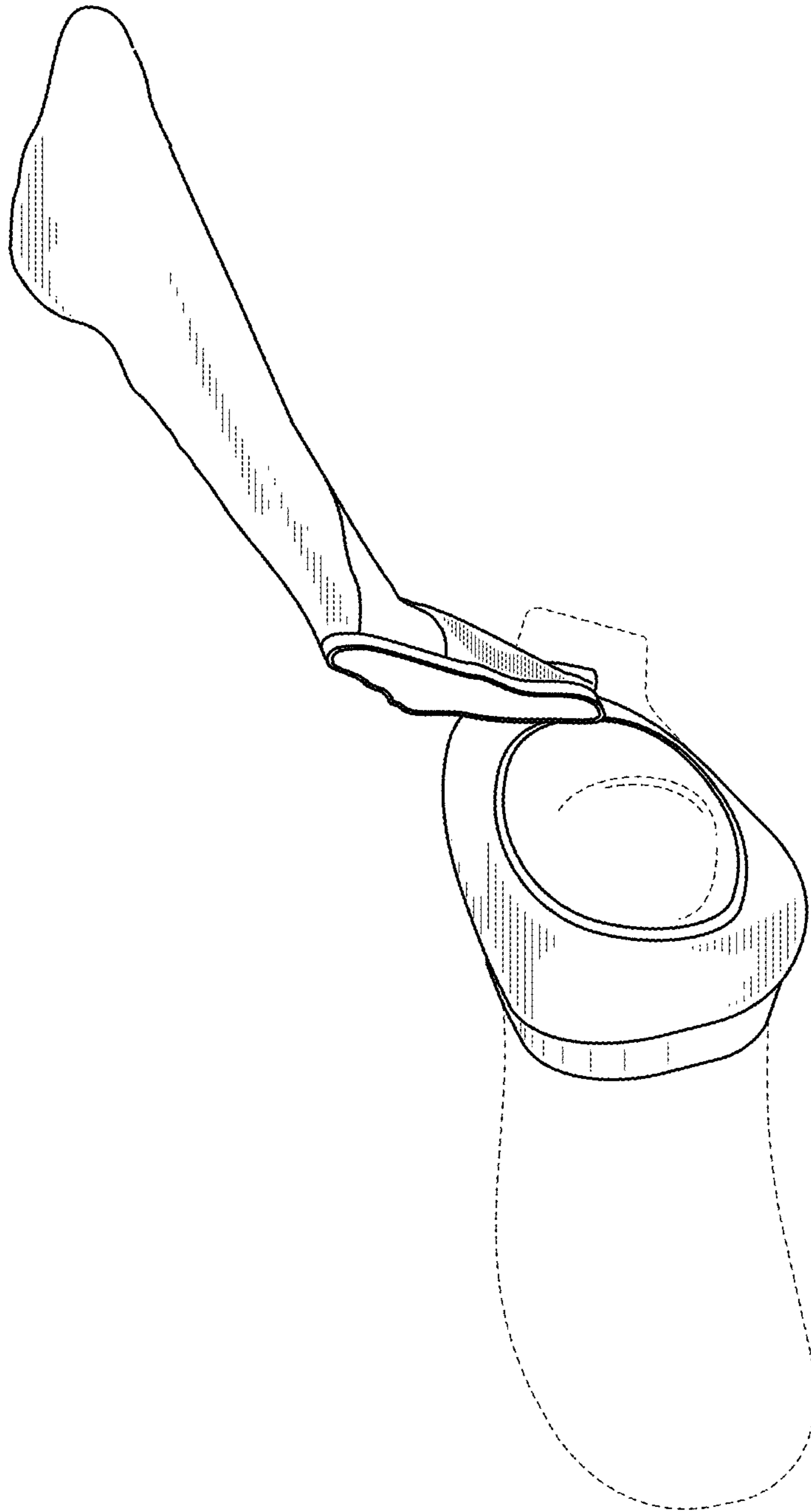


Fig. 10

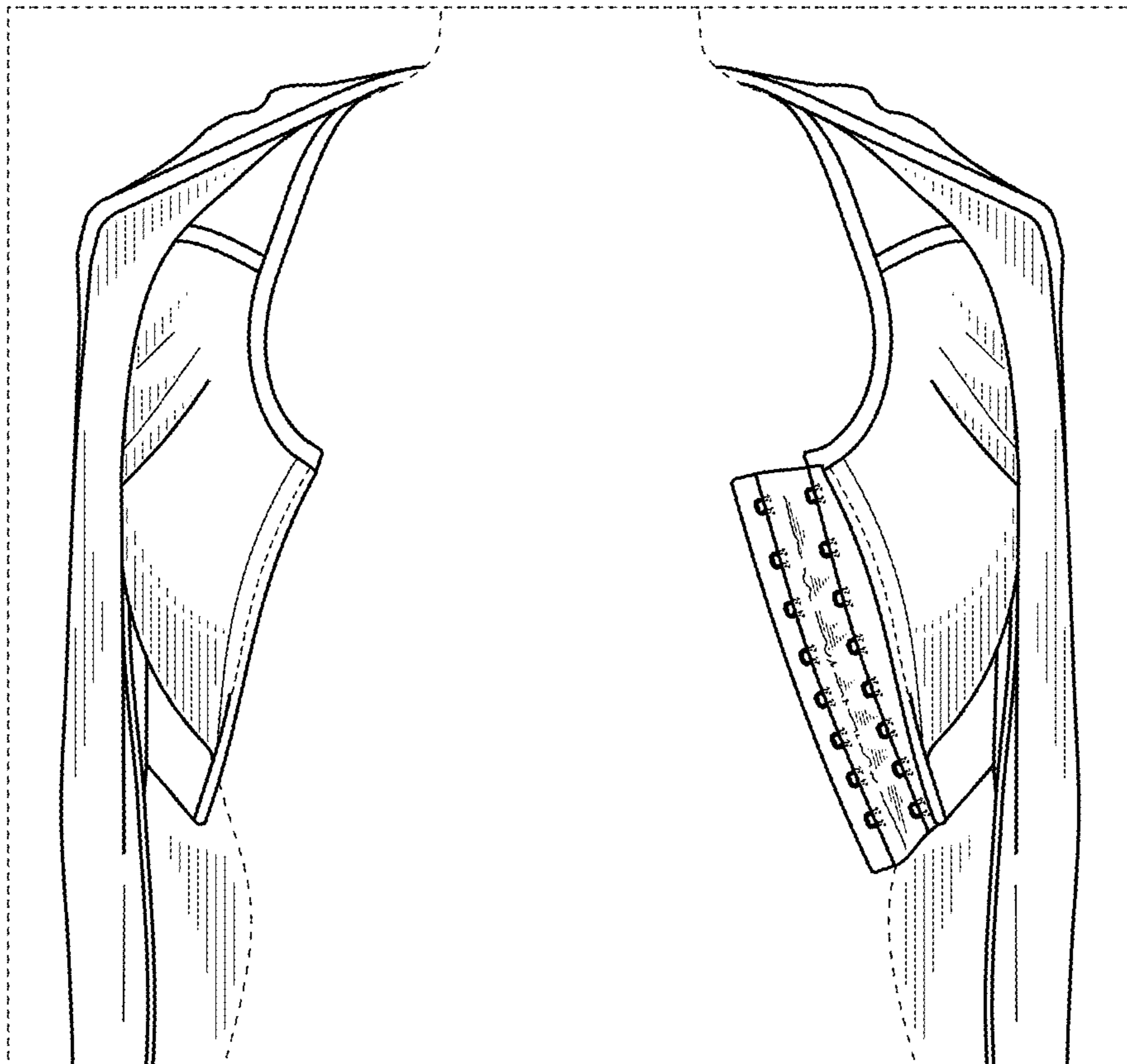


Fig. 11