



US00D789648S

(12) **United States Design Patent** (10) **Patent No.:** **US D789,648 S**
Segerstrom (45) **Date of Patent:** **** Jun. 13, 2017**

- (54) **MAINTAINABLE PALLET**
- (71) Applicant: **Lane J. Segerstrom**, Stratford, TX (US)
- (72) Inventor: **Lane J. Segerstrom**, Stratford, TX (US)
- (**) Term: **15 Years**
- (21) Appl. No.: **29/547,630**
- (22) Filed: **Dec. 4, 2015**
- (51) **LOC (10) Cl.** **09-08**
- (52) **U.S. Cl.**
USPC **D34/38**
- (58) **Field of Classification Search**
USPC D34/38; 108/51.11, 901, 53.3, 54.1, 108/56.1, 57.1, 52.1, 56.3
CPC B65D 19/0038; B65D 19/0012; B65D 19/0095; B65D 19/38
See application file for complete search history.

- 2014/0251189 A1* 9/2014 Takyar B65D 19/0095 108/57.17
- 2014/0251190 A1* 9/2014 Kessler B65D 19/38 108/57.25
- 2015/0274358 A1 10/2015 Hidalgo
- 2015/0321792 A1* 11/2015 Joung B65D 19/38 108/57.25
- 2015/0360809 A1 12/2015 McBride et al.

FOREIGN PATENT DOCUMENTS

- CN 201381001 Y 1/2010
- EP 1195600 A2 4/2002

OTHER PUBLICATIONS

International Search Report and Written Opinion for PCT Application No. PCT/US16/66010 mailed Mar. 3, 2017.

* cited by examiner

Primary Examiner — Cynthia Ramirez
(74) *Attorney, Agent, or Firm* — Gardere Wynne Sewell LLP

(56) **References Cited**

U.S. PATENT DOCUMENTS

- 2,922,606 A 1/1960 Glassman et al.
- 3,677,200 A * 7/1972 Coccagna B65D 19/0038 108/53.5
- D267,386 S * 12/1982 Kneale, III D34/38
- D306,226 S * 2/1990 Jirucha D34/38
- 5,042,397 A 8/1991 Fiedler
- 5,834,105 A 11/1998 White et al.
- 6,192,807 B1 2/2001 Mason
- 6,357,366 B1 3/2002 Frankenberg
- 7,004,083 B2 2/2006 Ramirez von Holle et al.
- 7,557,714 B2 7/2009 Roeder et al.
- D679,065 S * 3/2013 Hershey D34/38
- 9,193,499 B2 * 11/2015 Jordan B65D 19/0012
- 2011/0303128 A1 * 12/2011 Linares B65D 19/0012 108/51.3
- 2014/0174327 A1 * 6/2014 Whiteford B65D 19/0095 108/50.11
- 2014/0251188 A1 9/2014 Jordan

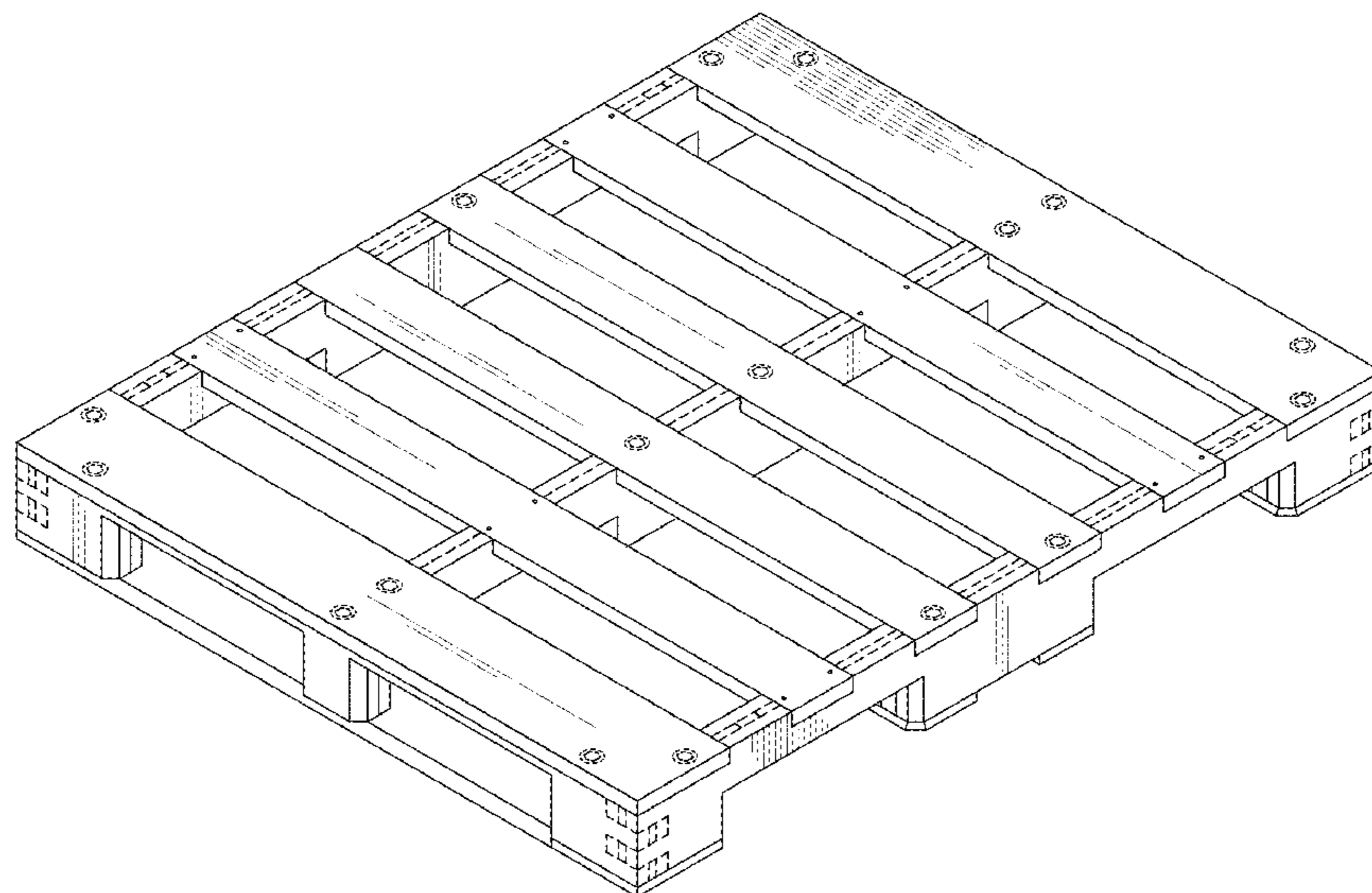
(57) **CLAIM**

The ornamental design for a maintainable pallet, as shown and described.

DESCRIPTION

FIG. 1 is a perspective view of a maintainable pallet; FIG. 2 is a top view of the maintainable pallet; FIG. 3 is a right side view of the maintainable pallet, with the left side view being the mirror image thereof; FIG. 4 is a front view of the maintainable pallet, with the rear view being the mirror image thereof; and, FIG. 5 is a bottom view of the maintainable pallet. The broken lines of FIGS. 1 through 5 are for illustrative purposes only, showing the environment, and form no part of the claimed design.

1 Claim, 4 Drawing Sheets



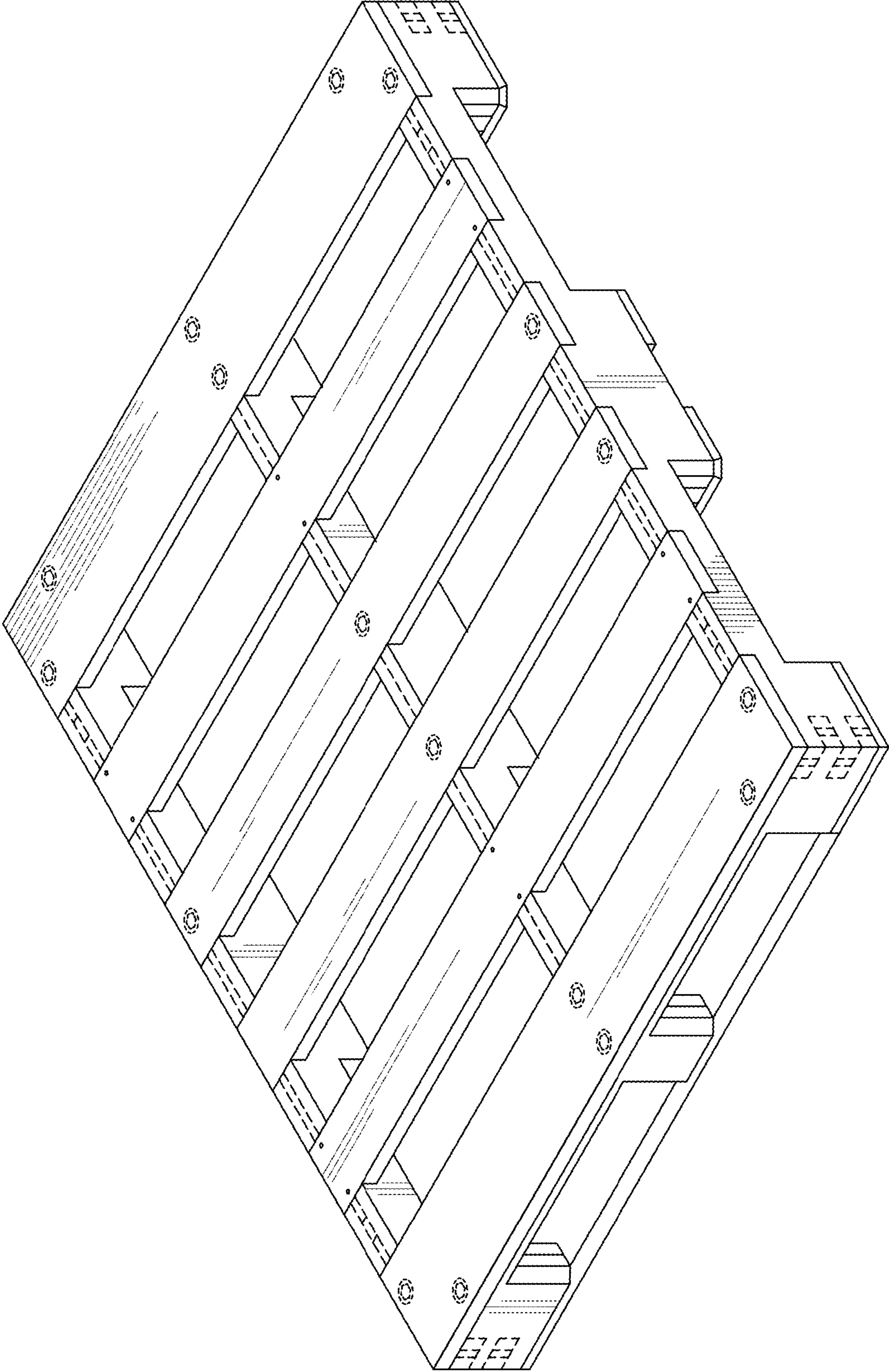
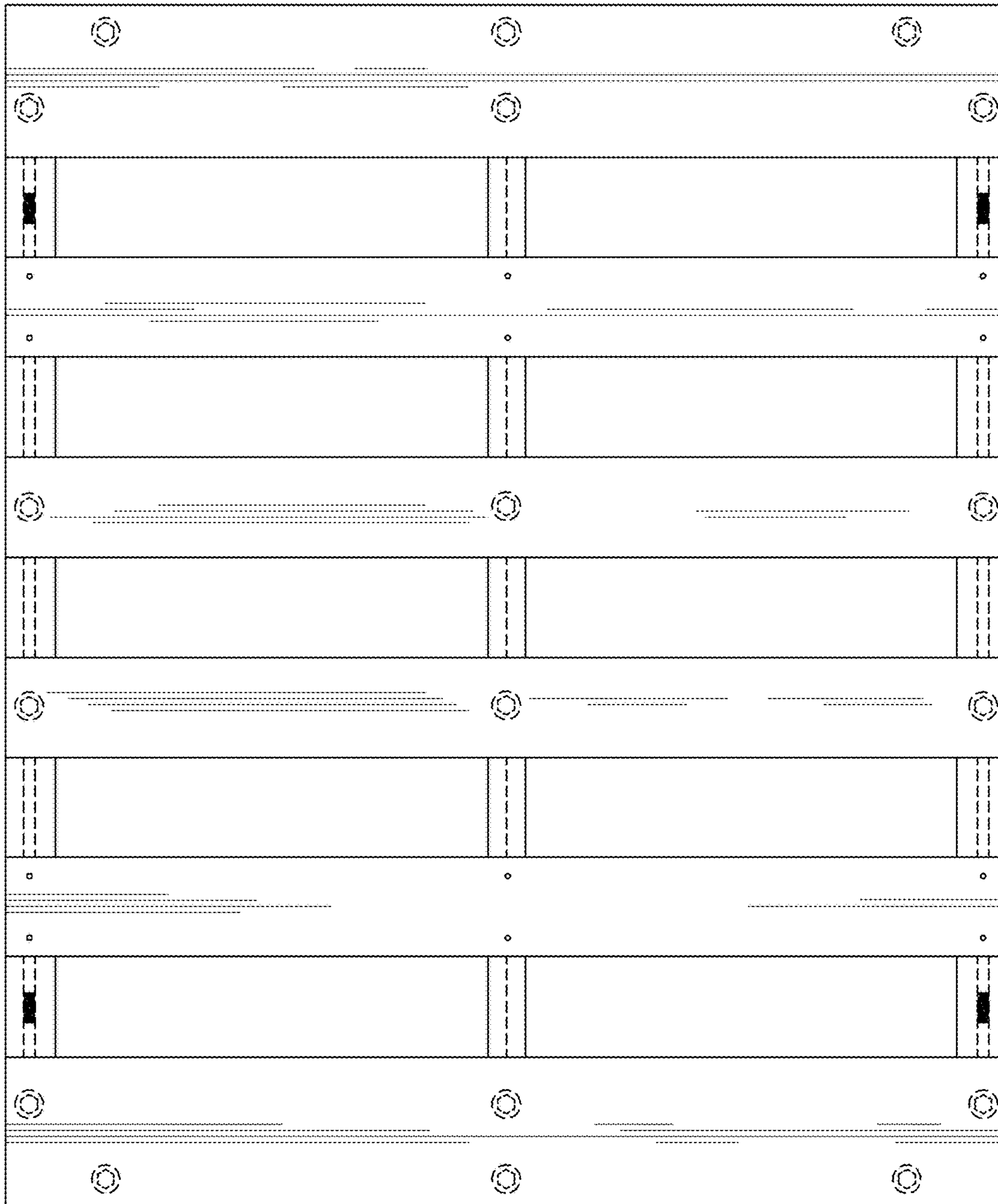


FIG. 1

FIG. 2



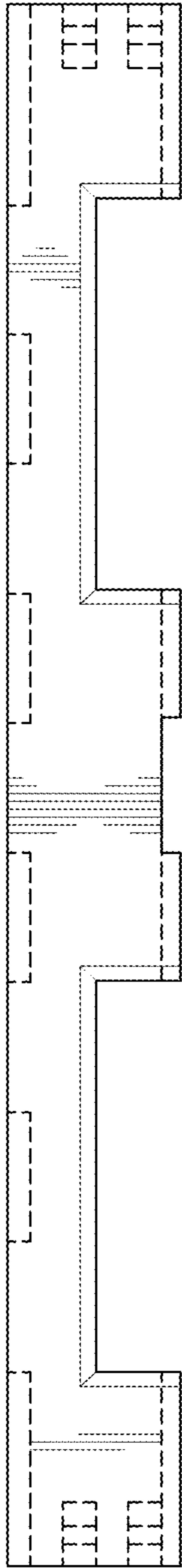


FIG. 3

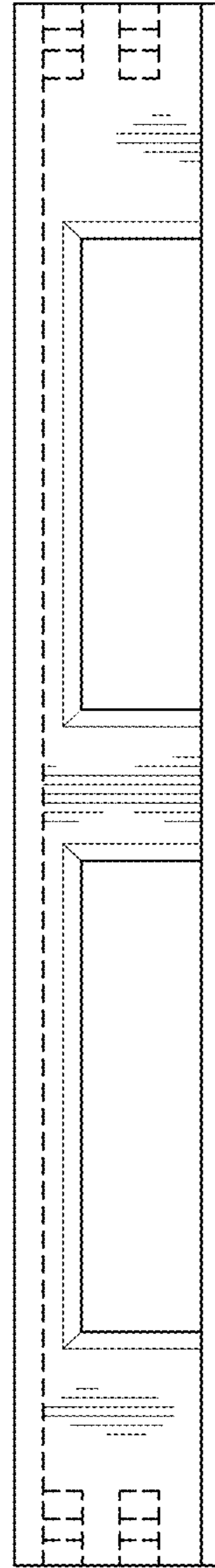


FIG. 4

FIG. 5

