



US00D789644S

(12) **United States Design Patent**
Donohue

(10) **Patent No.:** **US D789,644 S**
(45) **Date of Patent:** **** Jun. 13, 2017**

- (54) **VEHICLE STANCHION LOADING WITH A MOUNTING BRACKET**
- (71) Applicant: **James P Donohue**, Dayton, OH (US)
- (72) Inventor: **James P Donohue**, Dayton, OH (US)
- (**) Term: **14 Years**
- (21) Appl. No.: **29/516,020**
- (22) Filed: **Jan. 28, 2015**
- (51) **LOC (10) Cl.** **12-05**
- (52) **U.S. Cl.**
USPC **D34/35**
- (58) **Field of Classification Search**
USPC D34/28, 33, 35; D12/400, 106, 406, 408,
D12/162, 223, 159, 160
CPC B60P 1/6454; B60P 1/48; B60P 1/4427;
B60P 3/122; B60P 3/107; B60D 1/065;
B60D 1/00; B60D 1/60; B60D 1/06
See application file for complete search history.

D622,472 S *	8/2010	Hancock	D34/33
7,997,850 B2 *	8/2011	Hutchison	B60P 3/07 414/478
D664,322 S *	7/2012	Peng	D34/33
8,985,934 B1 *	3/2015	Jennison	E02F 3/962 37/403
D741,039 S *	10/2015	Huang	D34/33
D744,379 S *	12/2015	Penner	D12/106
D748,538 S *	2/2016	Waldner	D12/162
D759,336 S *	6/2016	Piispanen	D34/33
2008/0219828 A1 *	9/2008	Schuettenberg	B60D 1/00 414/800
2009/0139801 A1 *	6/2009	Friesen	B66F 9/12 187/237

* cited by examiner

Primary Examiner — Cynthia Ramirez

(74) *Attorney, Agent, or Firm* — Gerald R. Black, Esq.

(57) **CLAIM**

The ornamental design for a vehicle stanchion loading with a mounting bracket, as shown and described.

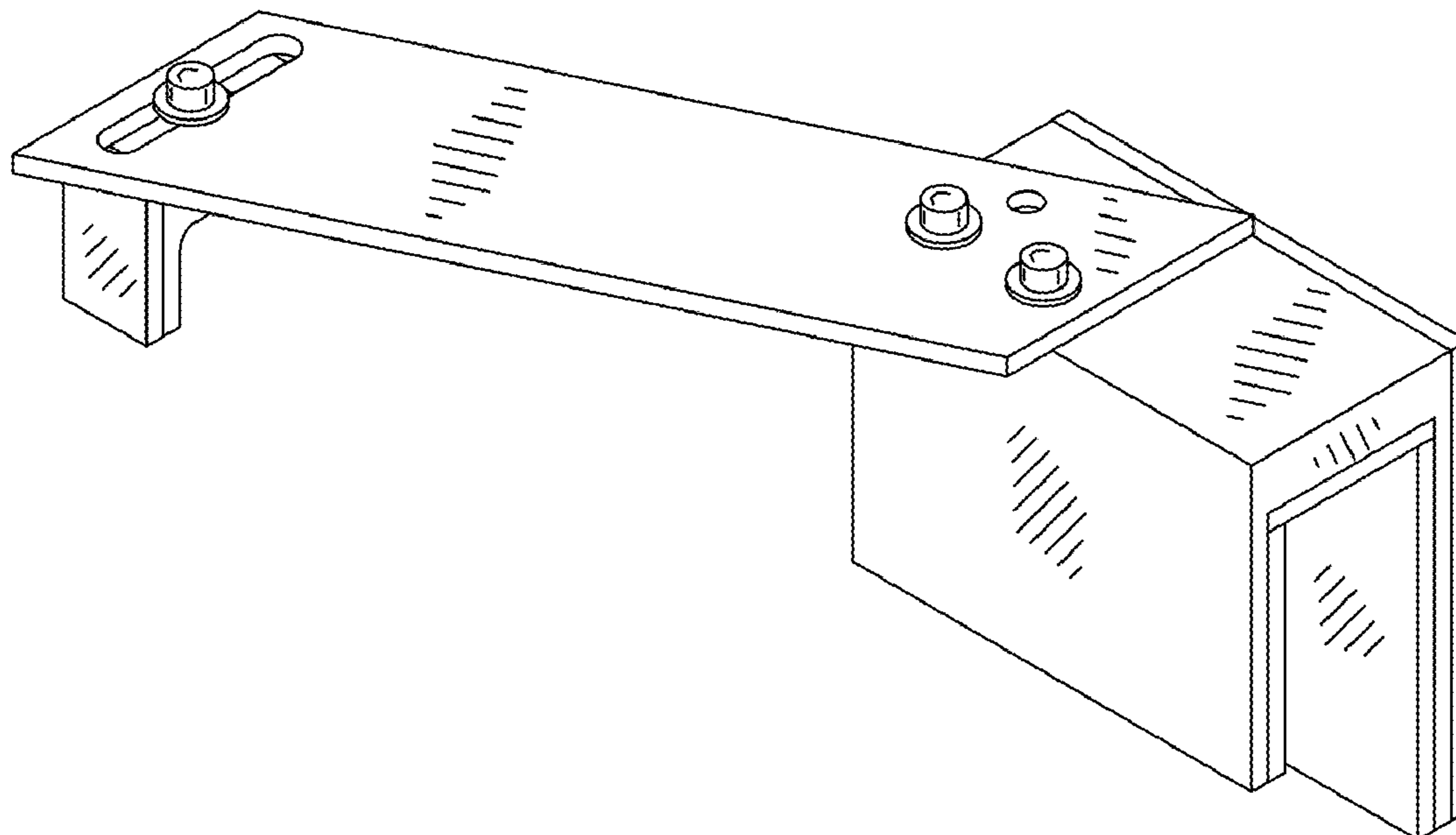
DESCRIPTION

FIG. 1 is a perspective view of a vehicle stanchion for loading with mounting bracket showing my new design; FIG. 2 is another perspective view thereof; FIG. 3 is a top view thereof; FIG. 4 is a bottom view thereof; FIG. 5 is a left side view thereof; FIG. 6 is a front view thereof; FIG. 7 is a right side view thereof; and, FIG. 8 is a rear view thereof. The broken line showing in FIG. 2 is included for the purpose of illustrating environment and forms no part of the claimed design.

1 Claim, 8 Drawing Sheets

(56) **References Cited**
U.S. PATENT DOCUMENTS

3,733,051 A *	5/1973	Bollinger	B60S 9/04 254/94
D300,815 S *	4/1989	Chambers	D12/162
5,511,929 A *	4/1996	Loftus	B60P 1/5423 212/180
D373,886 S *	9/1996	McCloud, Jr.	D34/33
D390,094 S *	2/1998	Pamplin	D12/400
D396,669 S *	8/1998	Wilson	D12/106
6,155,587 A *	12/2000	Milazzo	B60D 1/06 280/457
7,392,975 B2 *	7/2008	Nespor	B60P 3/07 242/397



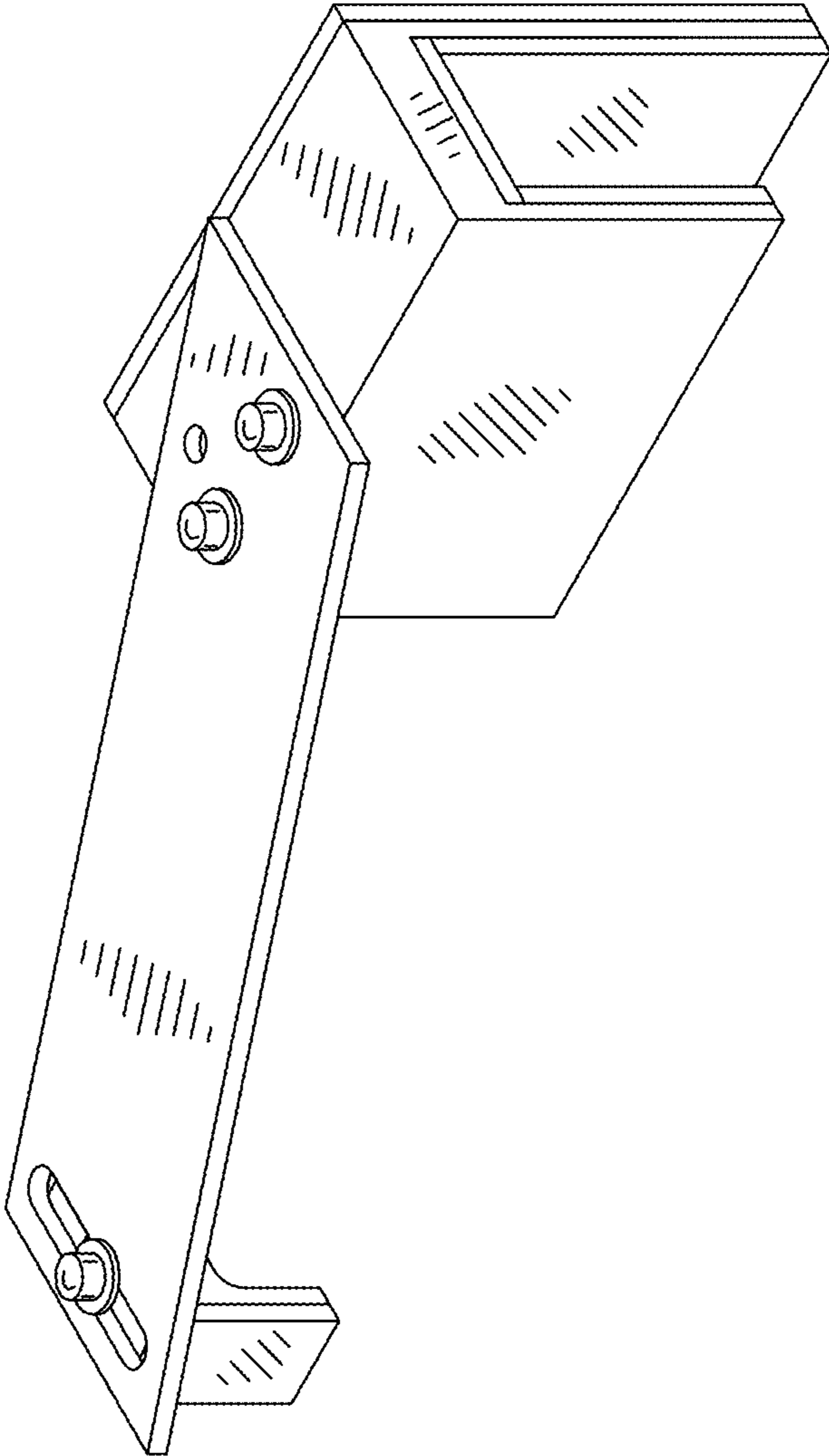


FIGURE 1

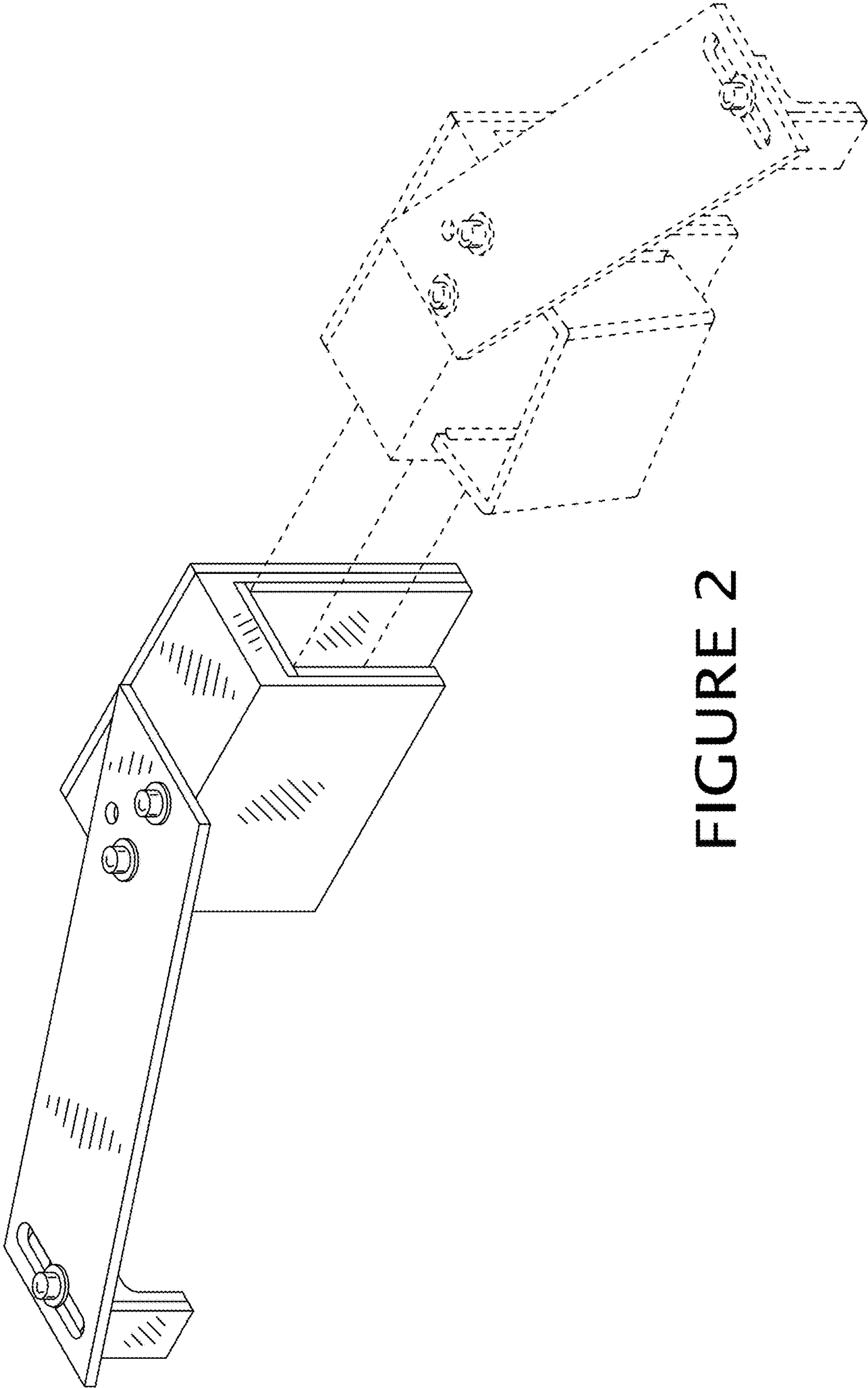


FIGURE 2

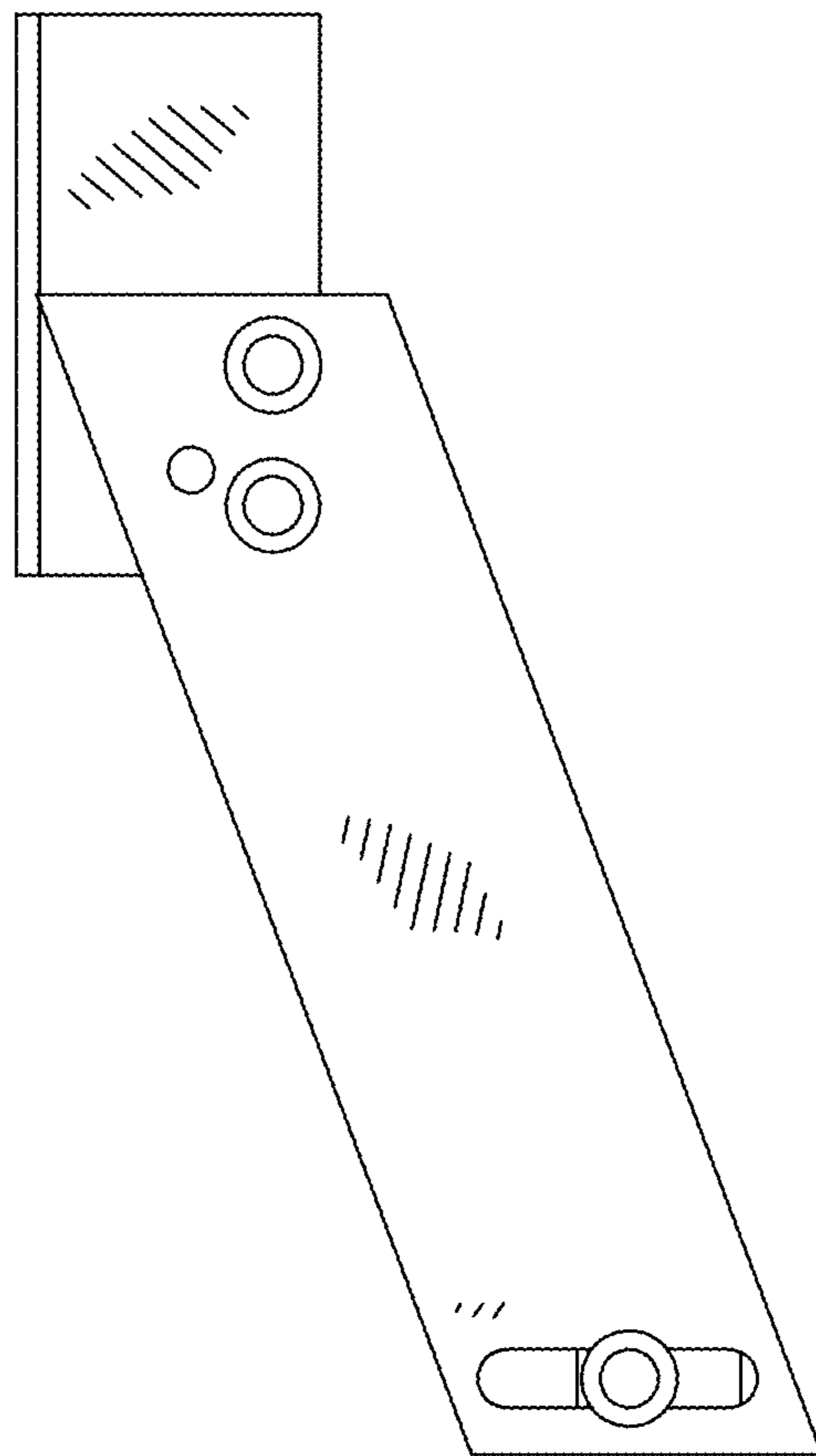


FIGURE 3

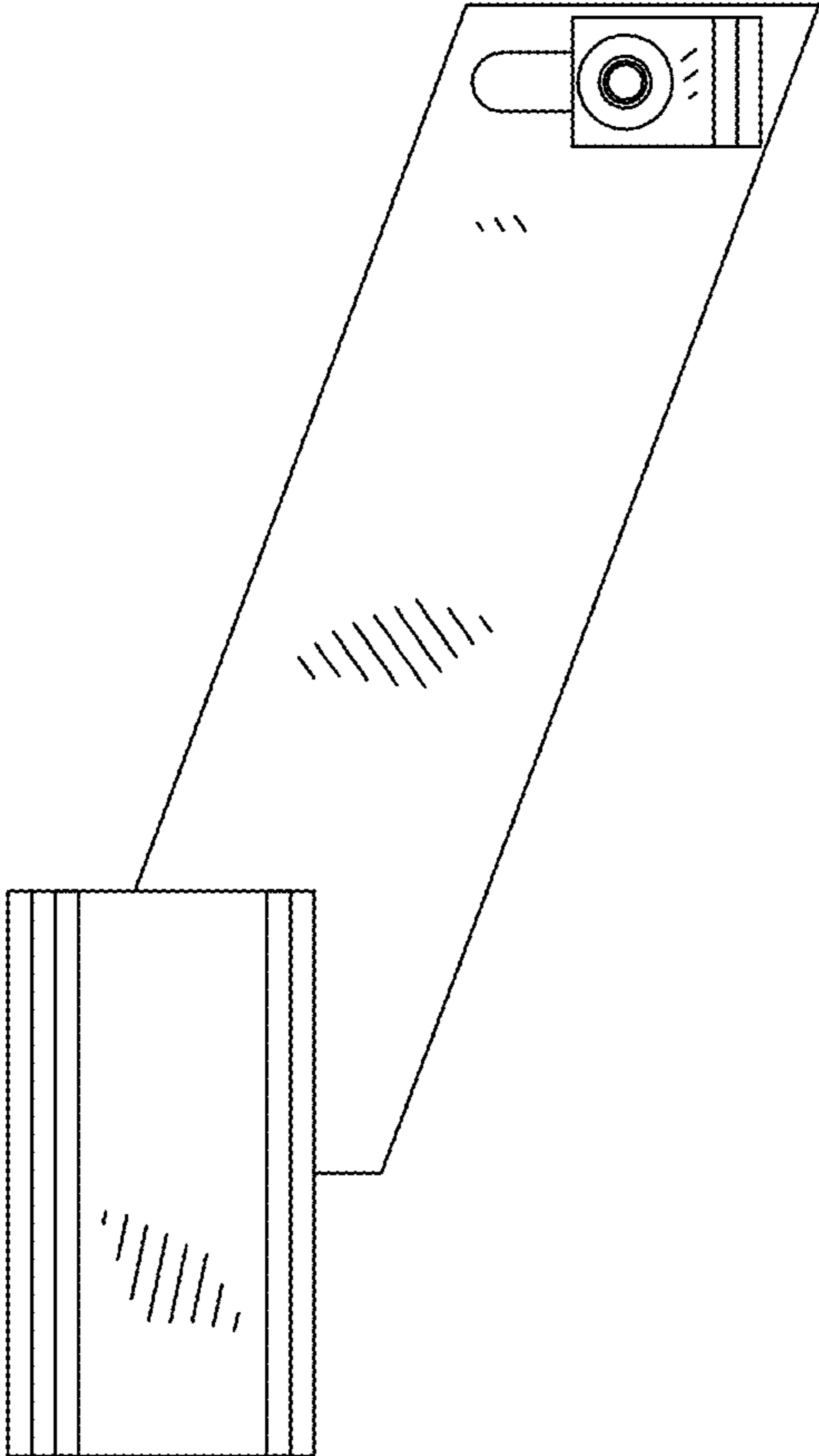


FIGURE 4

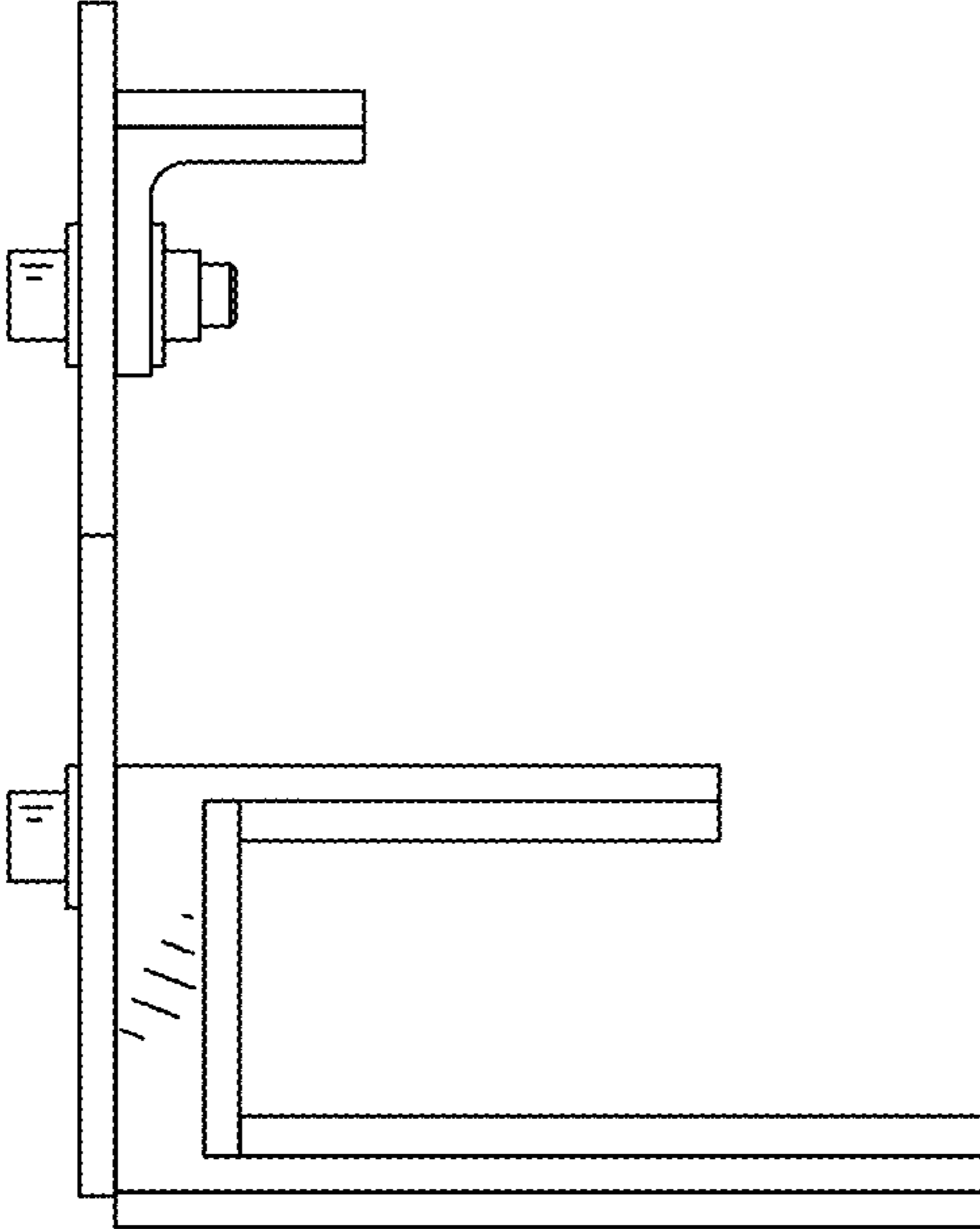


FIGURE 5

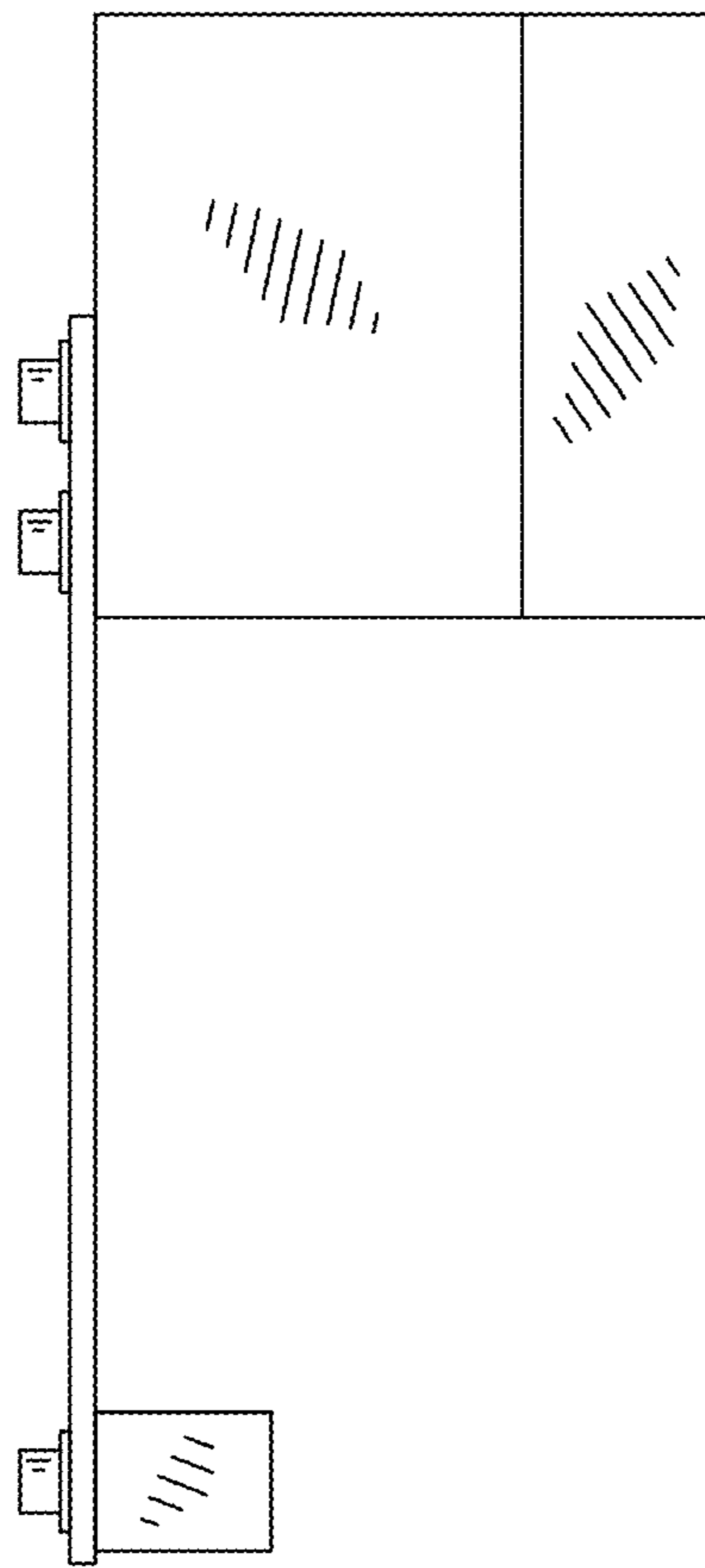


FIGURE 6

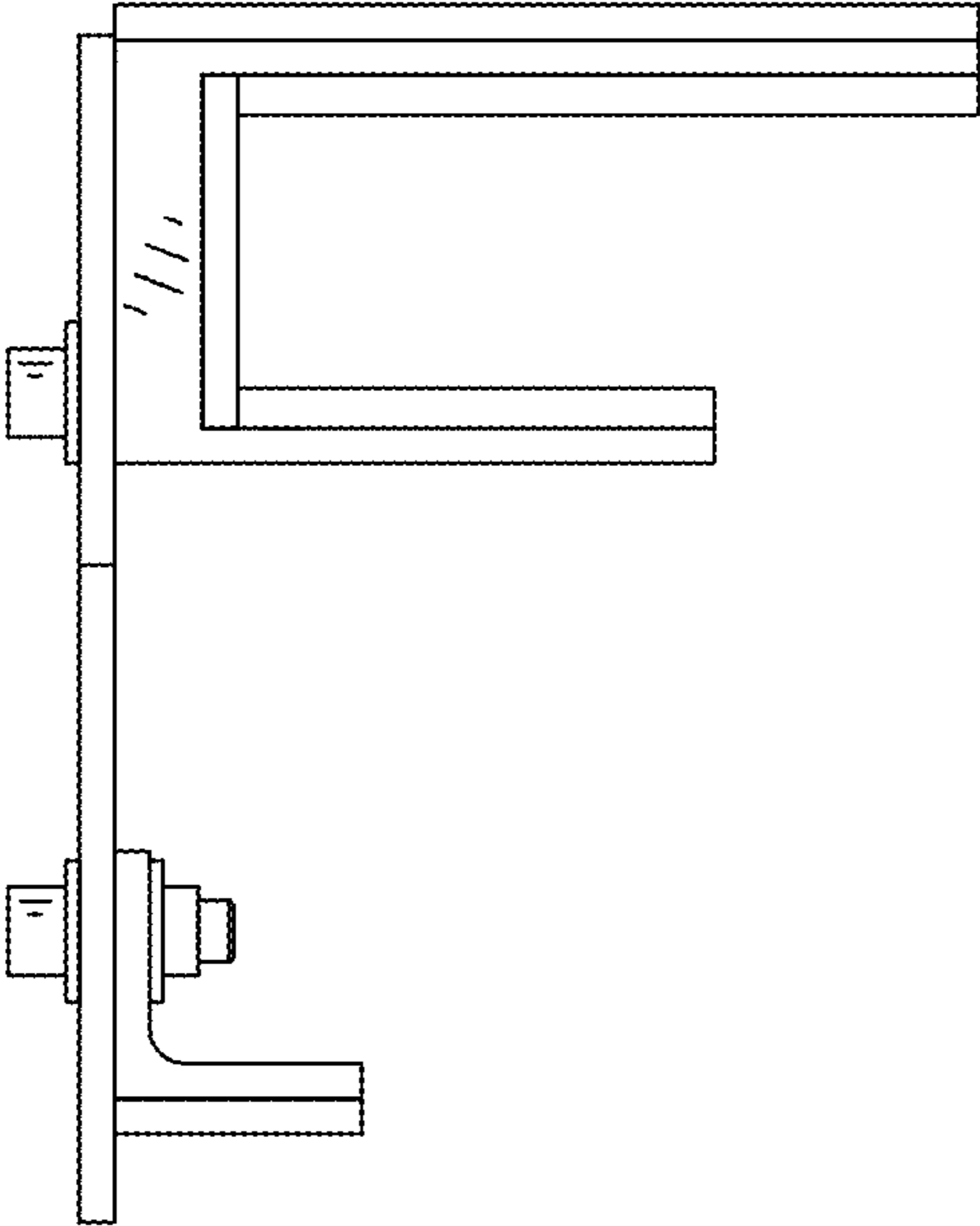


FIGURE 7

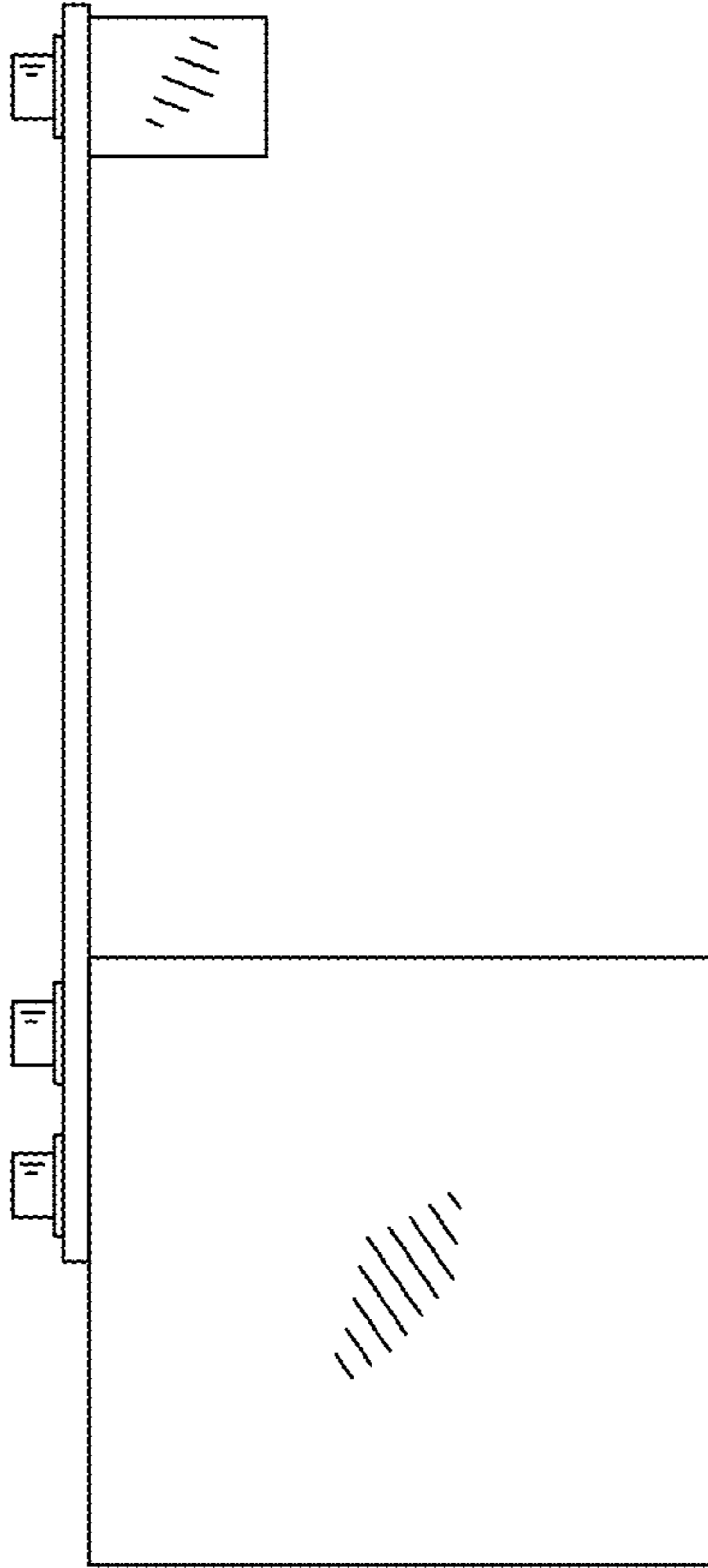


FIGURE 8