



US00D789639S

(12) **United States Design Patent**
Schneider

(10) **Patent No.:** **US D789,639 S**

(45) **Date of Patent:** **** Jun. 13, 2017**

(54) **HANDLES FOR BUCKET CONTAINER**

5,440,784 A * 8/1995 Hull A01K 87/08
16/114.1

(71) Applicant: **Joseph Scott Schneider**, Ocean City,
MD (US)

6,758,365 B2 7/2004 Jackson
D514,422 S * 2/2006 Lai D8/300

(72) Inventor: **Joseph Scott Schneider**, Ocean City,
MD (US)

8,210,391 B2 7/2012 Luburic
D683,920 S * 6/2013 Bonafide D32/53

(Continued)

(**) Term: **15 Years**

OTHER PUBLICATIONS

(21) Appl. No.: **29/584,333**

Jeffers, "Fortiflex Muck Bucket", <https://www.jefferspet.com/products/muck-bucket-black>, last downloaded Sep. 30, 2016.

(Continued)

(22) Filed: **Nov. 14, 2016**

(51) **LOC (10) Cl.** **07-07**

Primary Examiner — Robin V Webster

(52) **U.S. Cl.**
USPC **D32/53; D8/315**

(74) *Attorney, Agent, or Firm* — Miles & Stockbridg
P.C.

(58) **Field of Classification Search**
USPC D32/53, 53.1, 54; 220/904, 669, 752,
220/753, 659, 770; 15/257.05, 257.06,
15/264, 262; D8/313, 315; 16/430
CPC B65D 25/14; B65D 25/16; A47L 13/52;
A47L 13/58; A47J 47/18; B44D 3/126;
B25G 1/102

(57) **CLAIM**

The ornamental design for handles for bucket container, as shown and described.

See application file for complete search history.

DESCRIPTION

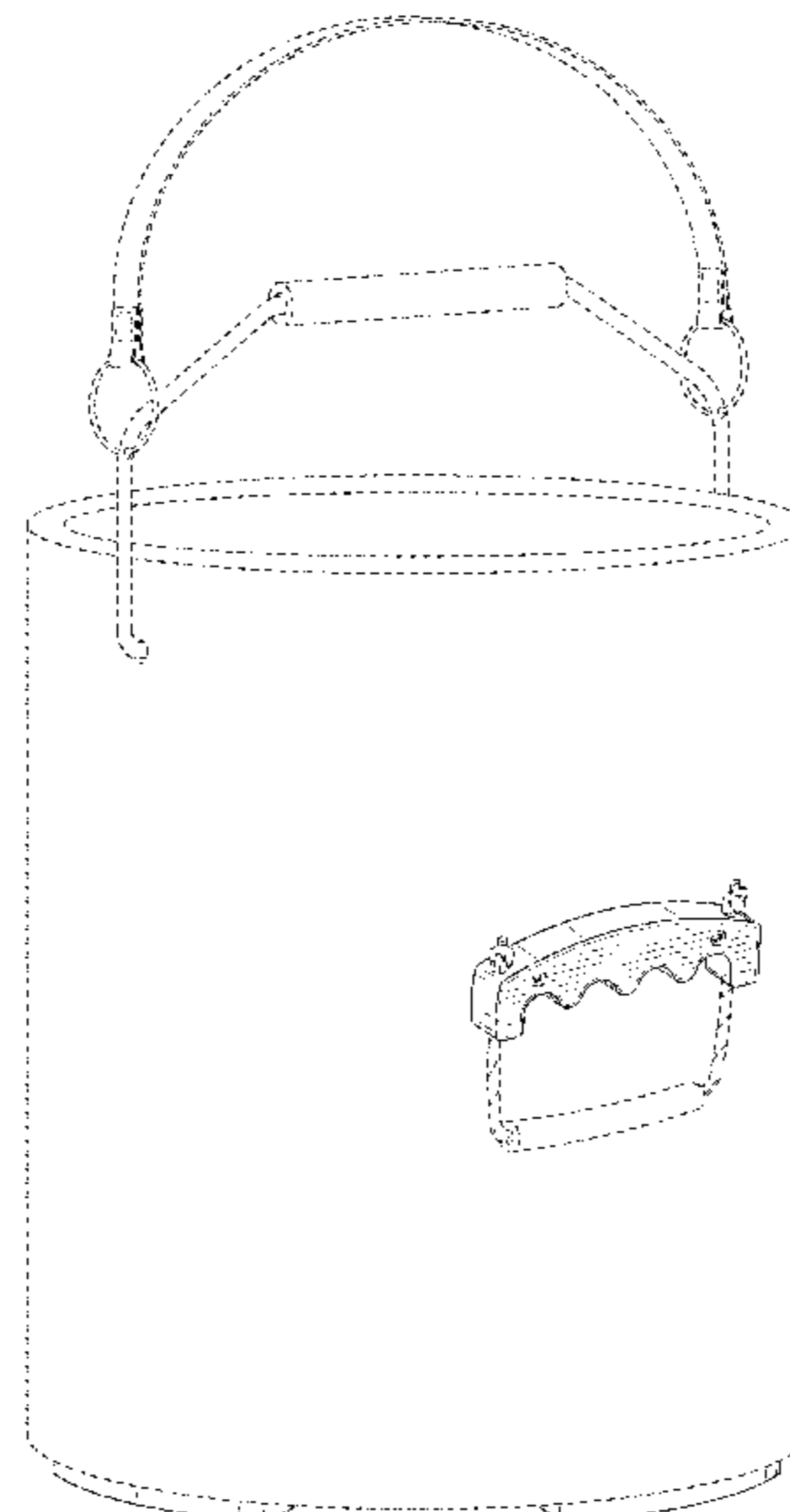
(56) **References Cited**

U.S. PATENT DOCUMENTS

2,793,670	A	5/1957	Schmidt	
3,343,711	A	9/1967	Godshalk	
3,425,471	A	2/1969	Yates, Jr.	
4,293,073	A	10/1981	Yates, Jr.	
4,632,357	A	12/1986	Von Holdt	
4,791,702	A *	12/1988	McVey	A45F 5/10 16/428
4,890,355	A *	1/1990	Schulten	A45F 5/1046 16/421
4,998,622	A	3/1991	Drack	
D318,789	S *	8/1991	Oltrogge	D3/315
5,088,615	A	2/1992	Neuman	
5,265,307	A *	11/1993	Hull	A45C 13/26 16/406
5,292,024	A	3/1994	Koefeldt et al.	

FIG. 1 is a perspective view of the handles for bucket container of the present invention.
FIG. 2 is first-side view of the handles for bucket container of the present invention.
FIG. 3 is second-side view of the handles for bucket container of the present invention.
FIG. 4 is third-side view of the handles for bucket container of the present invention.
FIG. 5 is fourth-side view of the handles for bucket container of the present invention.
FIG. 6 is a top plan view of the handles for bucket container of the present invention; and,
FIG. 7 is a bottom plan view of the handles for bucket container of the present invention.
The broken lines in the drawings depict environmental portions that form no part of the claimed design.

1 Claim, 7 Drawing Sheets



(56)

References Cited

U.S. PATENT DOCUMENTS

D709,263 S * 7/2014 Carnesecca D32/53
8,869,985 B2 10/2014 Schick
D722,474 S * 2/2015 Seiders D32/53
D739,627 S * 9/2015 Condiff D32/53
D743,136 S * 11/2015 Condiff D32/53
2009/0152280 A1 6/2009 Luburic
2013/0284306 A1 10/2013 Carlson et al.
2014/0182201 A1 7/2014 Danowski et al.

OTHER PUBLICATIONS

Personalization Mall, "Sit N' Fish Personalized Bucket Cooler",
<http://www.personalizationmall.com/personalized-fishing-bucket-cooler-sit-n-fish-p14084.prod>, last downloaded Sep. 30, 2016.
Gearcoop.com, "Yeti Tank 85 Quart Cooler—Ice Blue", <http://www.gearcoop.com/yeti-tank-85-quart-cooler-ice-blue.html>, last downloaded Sep. 30, 2016.

* cited by examiner

FIG. 1

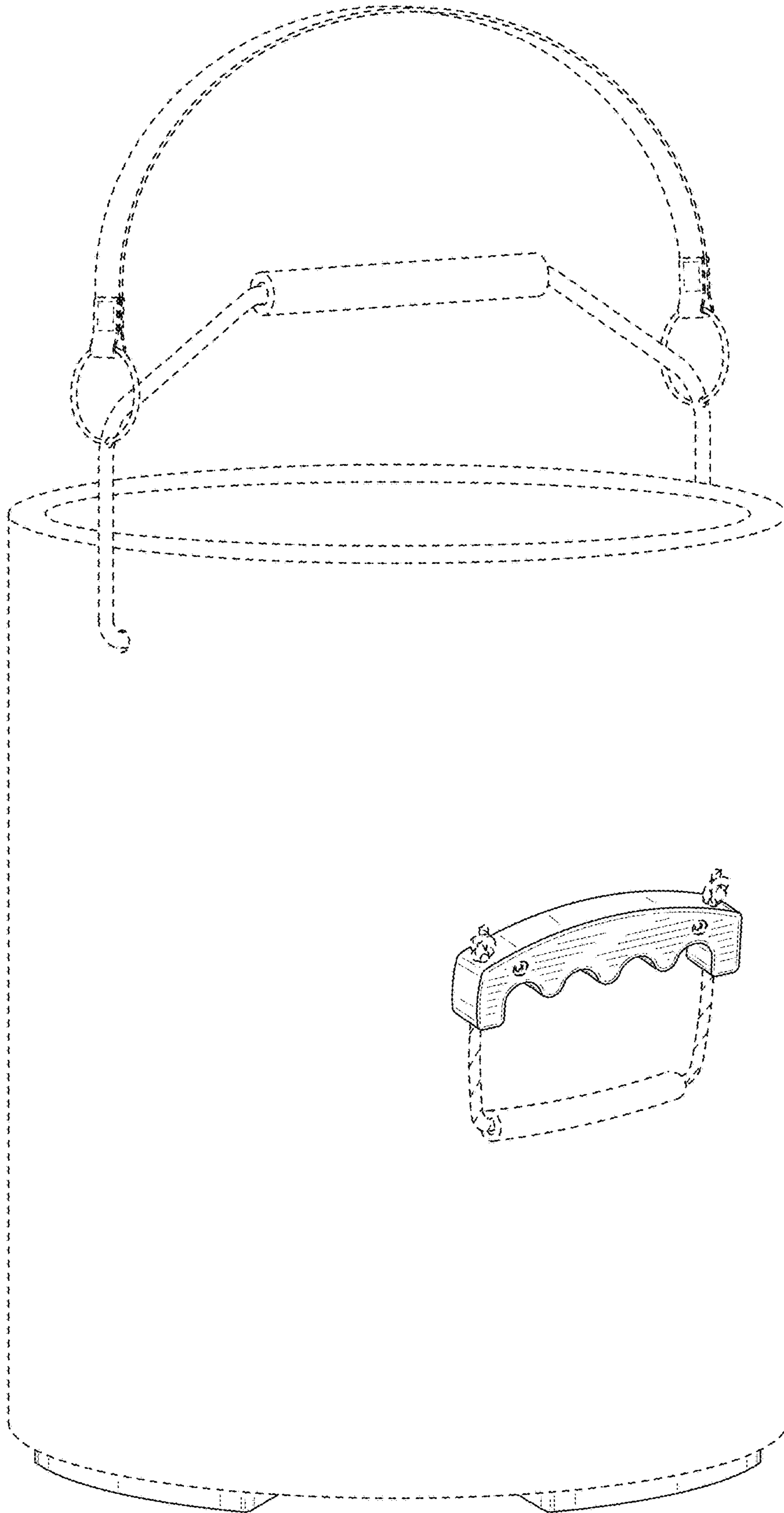


FIG. 2

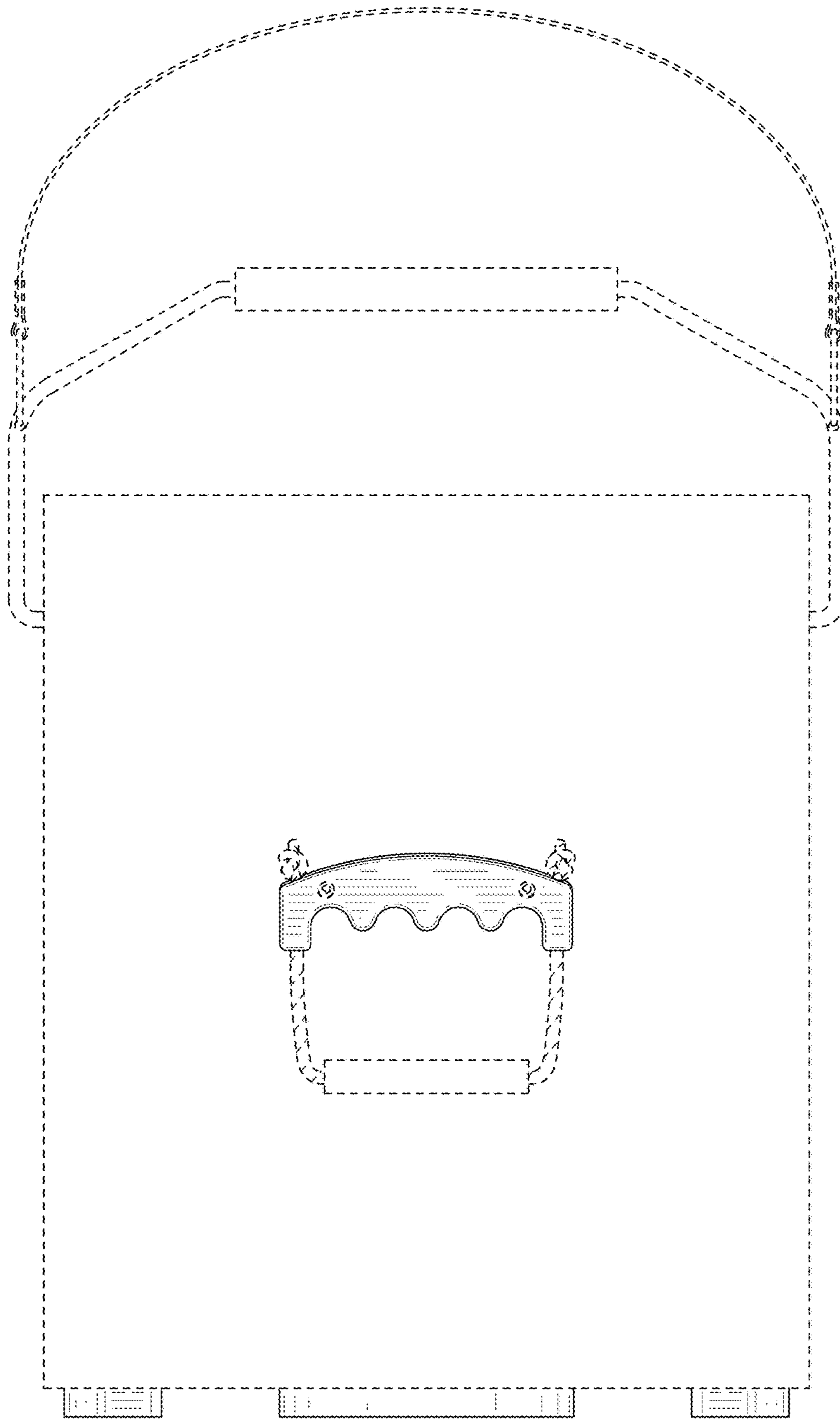


FIG. 3

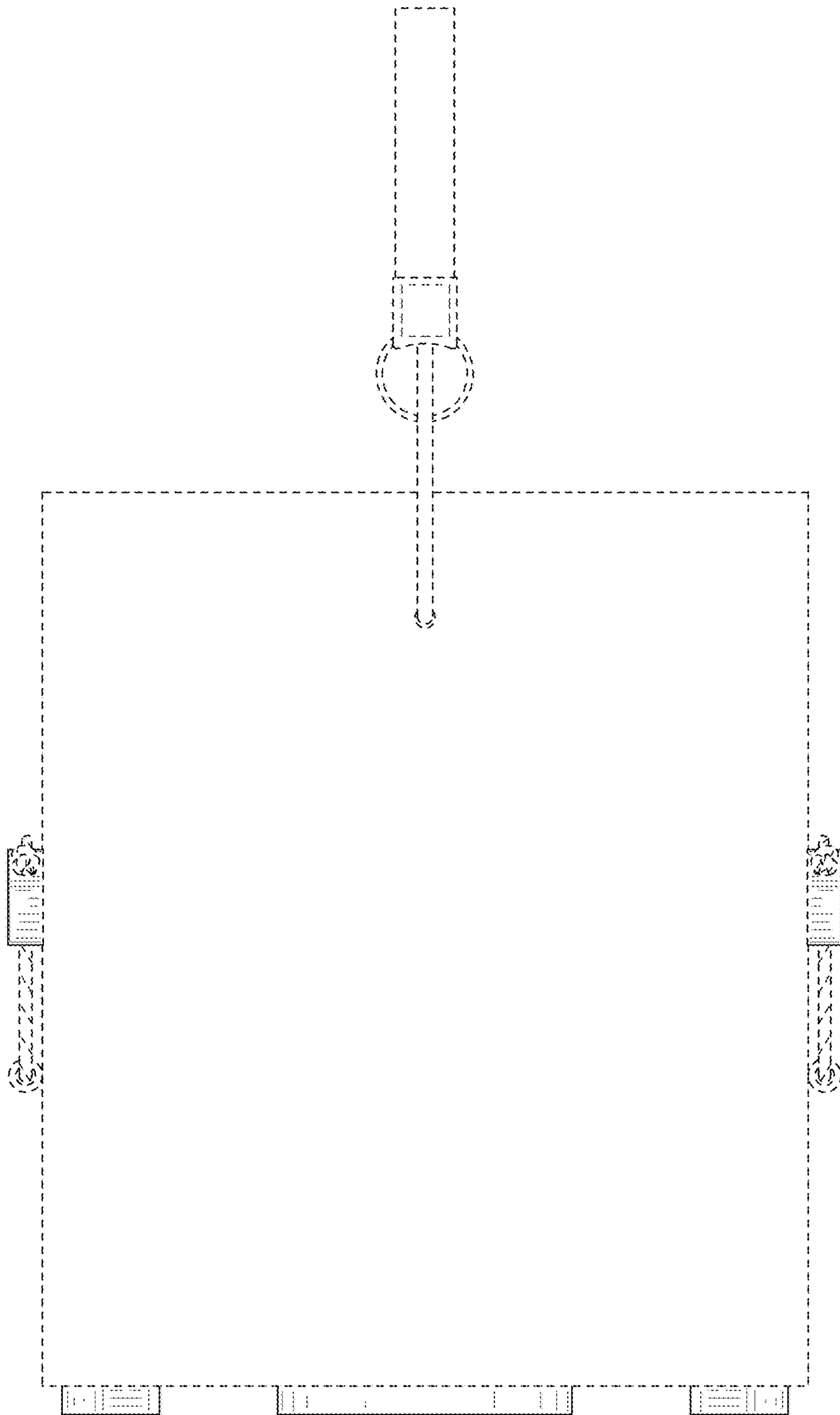


FIG. 4

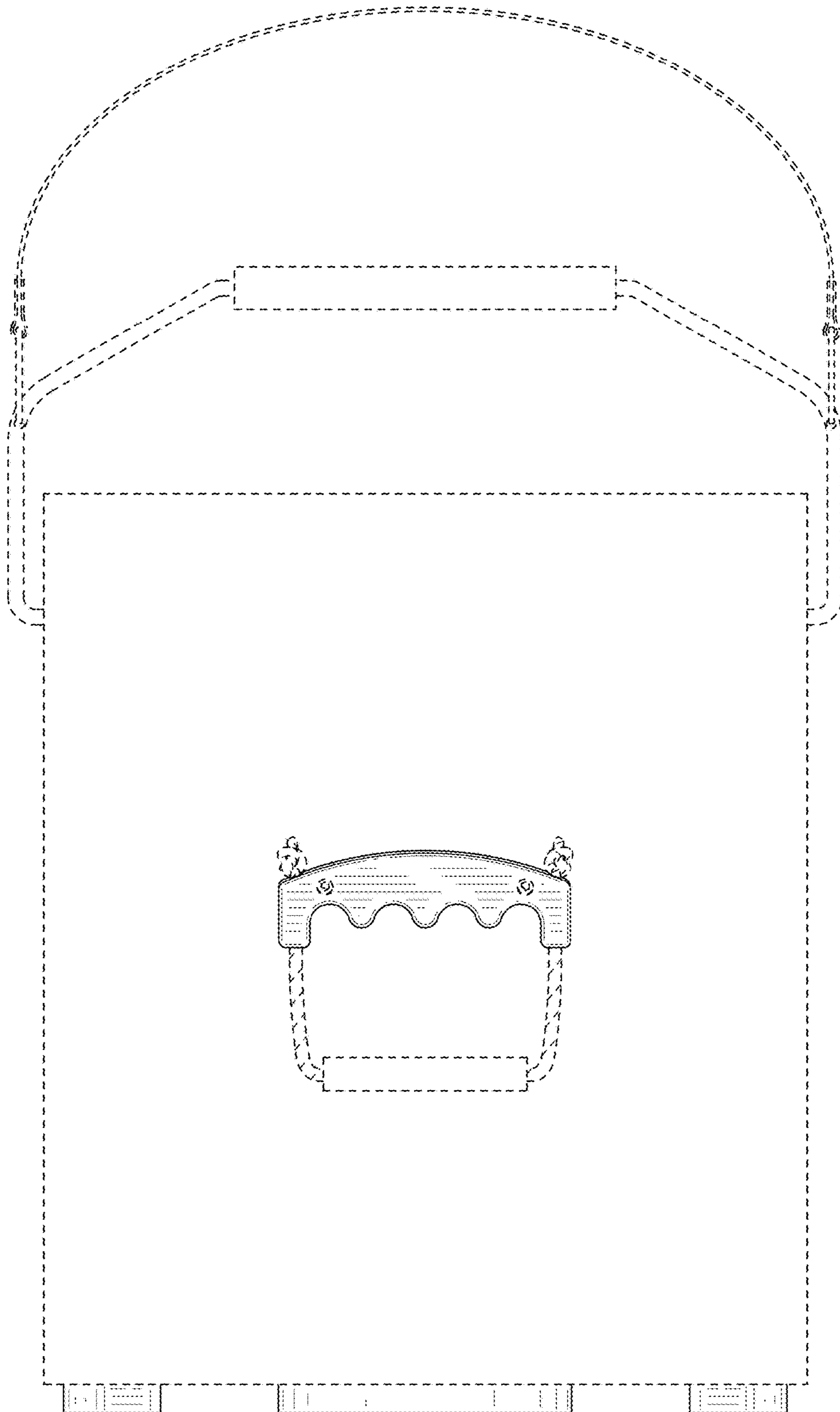


FIG. 5

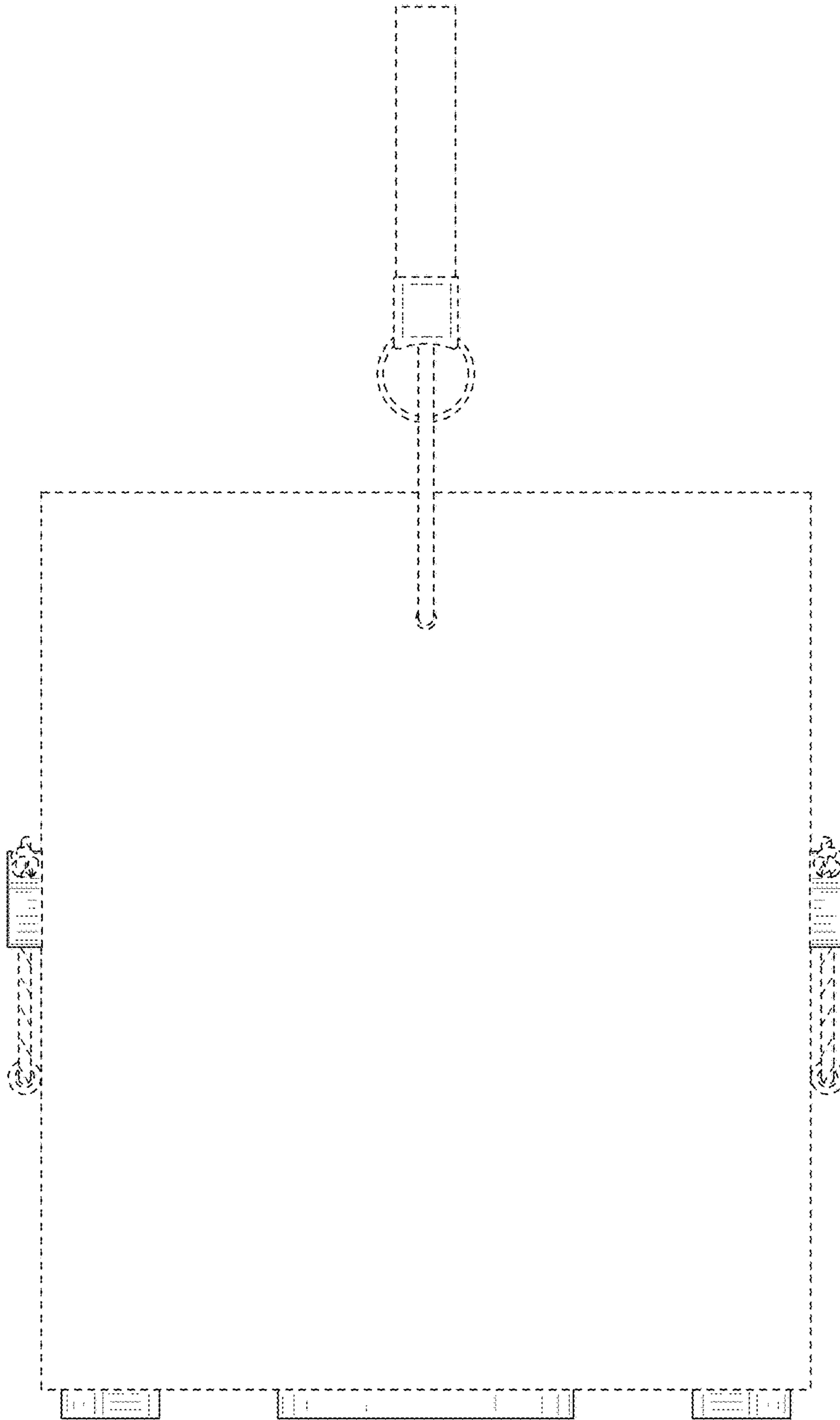


FIG. 6

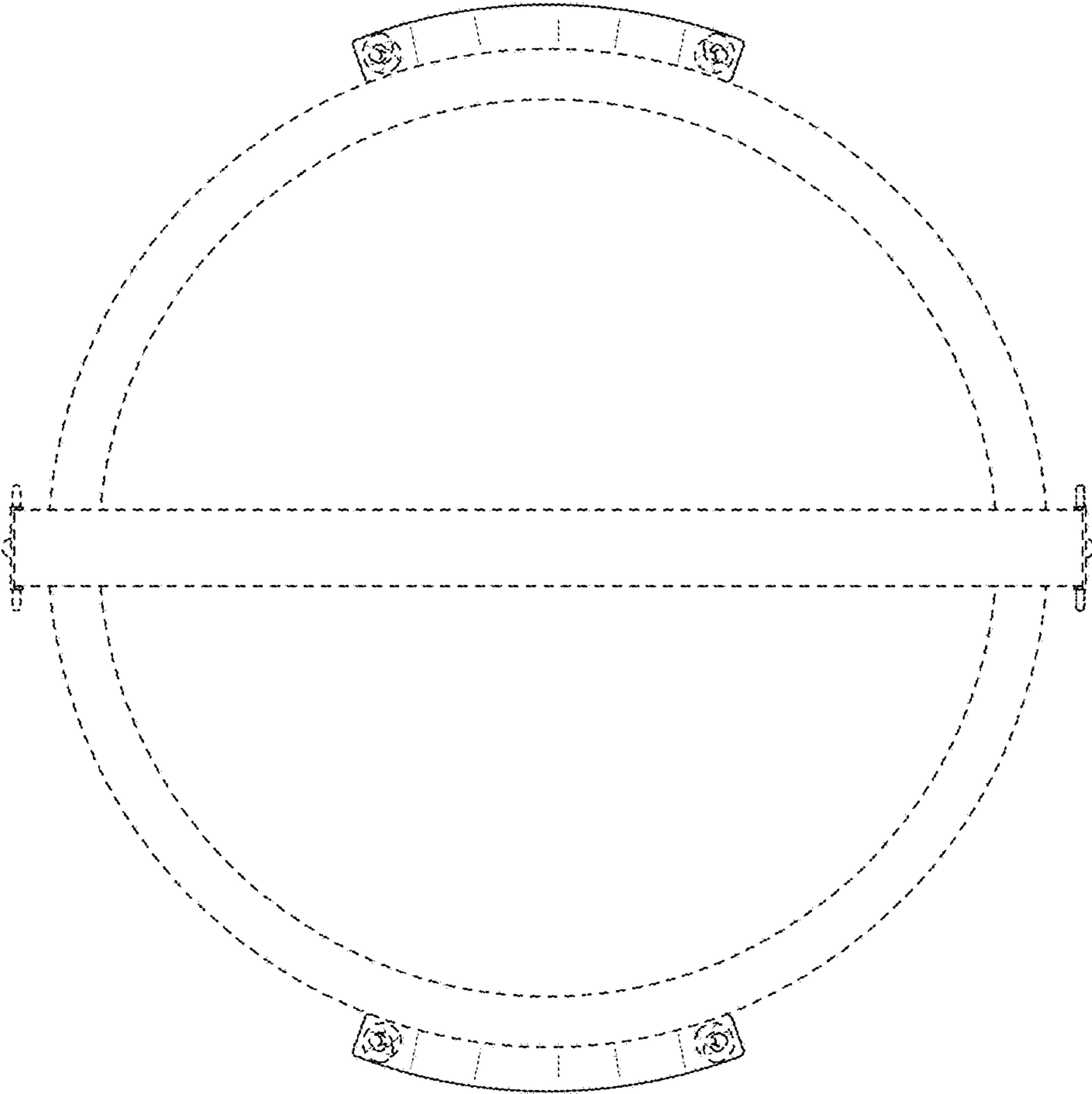


FIG. 7

