



US00D789637S

(12) **United States Design Patent** (10) **Patent No.:** **US D789,637 S**  
**Dobson, III** (45) **Date of Patent:** **\*\* Jun. 13, 2017**

(54) **BROOM HANDLE**  
(71) Applicant: **Eben W. Dobson, III**, Solana Beach, CA (US)  
(72) Inventor: **Eben W. Dobson, III**, Solana Beach, CA (US)  
(73) Assignee: **WISP Industries, Inc.**, San Marcos, CA (US)  
(\*\*) Term: **14 Years**  
(21) Appl. No.: **29/488,089**  
(22) Filed: **Apr. 15, 2014**  
(51) **LOC (10) Cl.** ..... **04-01**  
(52) **U.S. Cl.**  
USPC ..... **D32/51**  
(58) **Field of Classification Search**  
USPC ..... D32/35, 40, 49-53, 71-72; D8/107, D8/81-83; D7/393, 648  
CPC ..... A47L 13/12; A47L 13/16; A47L 13/20; A47L 13/24; A47L 13/144; A47L 13/146; B24D 13/045; B25B 23/16  
See application file for complete search history.

(56) **References Cited**  
U.S. PATENT DOCUMENTS

57,703 A \* 9/1866 Grant ..... A47L 13/12  
15/116.1  
D384,458 S \* 9/1997 Schroeck ..... D32/51  
D406,420 S \* 3/1999 Sin ..... D32/22  
D409,343 S \* 5/1999 Kingry ..... D32/40  
D424,263 S \* 5/2000 Canni Ferrari ..... D32/22  
D544,668 S \* 6/2007 Harper ..... D32/51  
D581,618 S \* 11/2008 Soller ..... D32/50  
8,291,538 B2 \* 10/2012 Yang ..... A47L 13/142  
15/119.1  
D720,905 S \* 1/2015 Lentine ..... D32/50  
2002/0042962 A1 \* 4/2002 Willman ..... A47L 13/16  
15/208  
2002/0092105 A1 \* 7/2002 Laux ..... A47L 13/142  
15/120.1

2003/0110584 A1 \* 6/2003 Clare ..... A47L 13/42  
15/104.94  
2004/0141797 A1 \* 7/2004 Garabedian ..... A47L 13/12  
401/279  
2004/0163194 A1 \* 8/2004 Wang ..... A47L 13/258  
15/117

(Continued)

FOREIGN PATENT DOCUMENTS

CN 3638666 \* 5/2007  
GB 2069457 \* 1/1998  
JP D1423585 \* 9/2011

OTHER PUBLICATIONS

Amazon.com Clean Sweep Broom & Telescopic Handle 300mm head Extendable handle, review date Jul. 28, 2014, online, <http://www.amazon.co.uk/Telescopic-Handle-Extendable-handle-1300mm/dp/B004EEH07E>, [site visited Mar. 2, 2016 8:35:22 PM].\*

(Continued)

*Primary Examiner* — John Windmuller  
*Assistant Examiner* — John R Yeh  
(74) *Attorney, Agent, or Firm* — San Diego IP Law Group LLP; Trevor Coddington

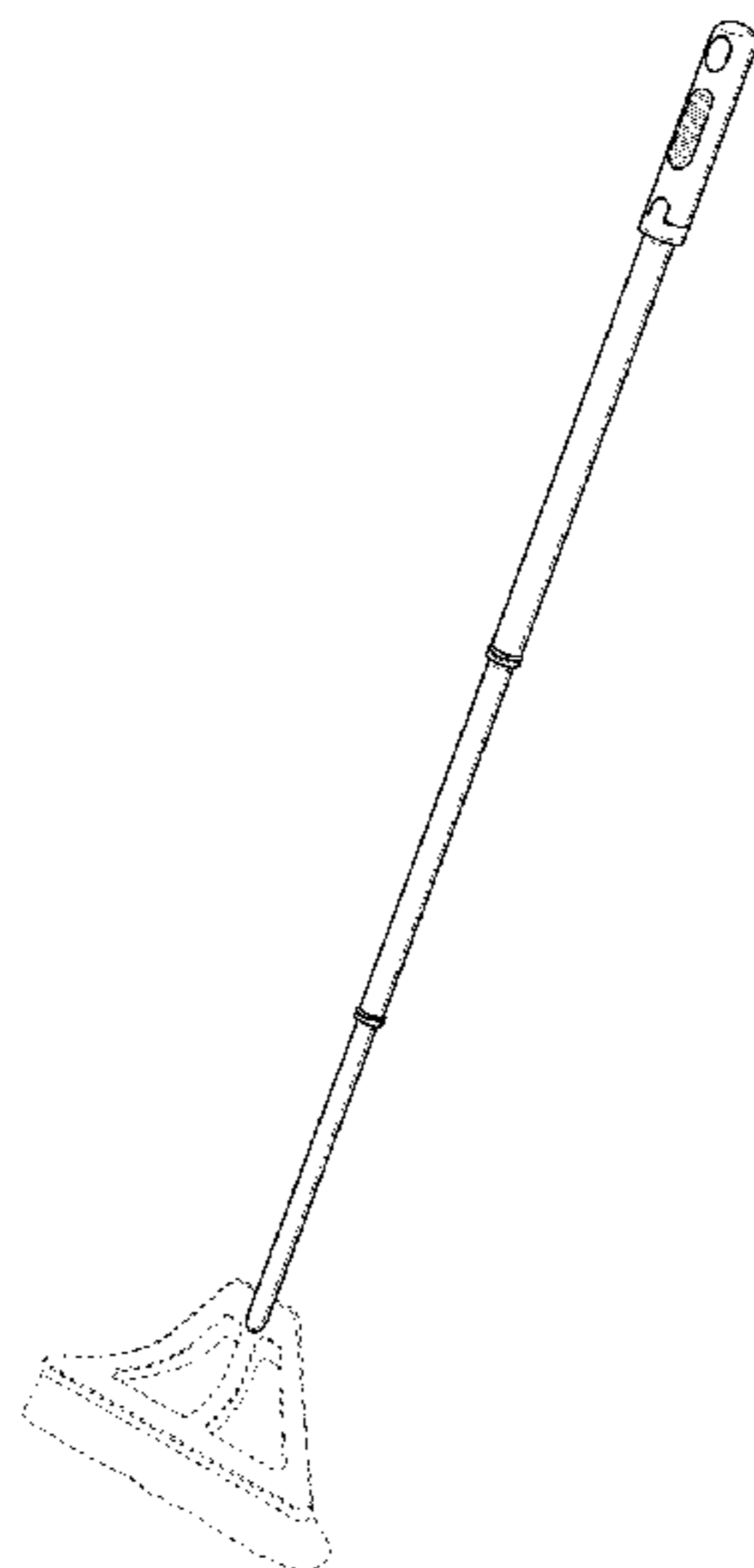
(57) **CLAIM**

I claim the ornamental design for a broom handle, as shown and described.

**DESCRIPTION**

FIG. 1 is a perspective view of a broom handle;  
FIG. 2 is a front view thereof;  
FIG. 3 is a rear view thereof;  
FIG. 4 is a side view thereof;  
FIG. 5 is an opposite side view thereof;  
FIG. 6 is a top plan view thereof; and,  
FIG. 7 is a bottom view thereof.

**1 Claim, 5 Drawing Sheets**



(56)

**References Cited**

U.S. PATENT DOCUMENTS

2006/0280546 A1\* 12/2006 Dyer ..... A47L 13/22  
401/139  
2007/0089255 A1\* 4/2007 Michelson ..... A47L 13/12  
15/144.3  
2010/0218327 A1\* 9/2010 Chen ..... A47L 13/20  
15/228  
2011/0047733 A1\* 3/2011 Jiang ..... A47L 13/20  
15/119.2  
2011/0154602 A1\* 6/2011 Chen ..... A47L 13/20  
15/228  
2011/0239389 A1\* 10/2011 Ting ..... A47L 13/58  
15/120.2  
2011/0271472 A1\* 11/2011 Yang ..... A46B 5/0054  
15/147.1  
2012/0090122 A1\* 4/2012 Lin ..... A47L 13/58  
15/228  
2012/0233794 A1\* 9/2012 Yu ..... B25G 1/04  
15/98  
2012/0311805 A1\* 12/2012 Hasegawa ..... A47L 13/256  
15/231  
2013/0104328 A1\* 5/2013 Weaver ..... A47L 13/12  
15/119.1

OTHER PUBLICATIONS

Seymour Midwest. Structron 22" Snow Roof Rake, Telescoping Handle, website copyright 2016, online, [http://seymourmidwest.com/\\_1/96032](http://seymourmidwest.com/_1/96032), [site visited Mar. 2, 2016 8:37:36 PM].\*

Amazon.com—WISP, Best Broom for Hardwood Floors 90 Degree Angled Broom & Dust Pan, online, review date 2015, [http://www.amazon.com/WISP-Hardwood-Bristle-Technology-Telescoping/dp/B017ACNP98/ref=cm\\_cr\\_arp\\_d\\_product\\_top?ie=UTF8](http://www.amazon.com/WISP-Hardwood-Bristle-Technology-Telescoping/dp/B017ACNP98/ref=cm_cr_arp_d_product_top?ie=UTF8), site visited Mar. 8, 2016.\*

\* cited by examiner

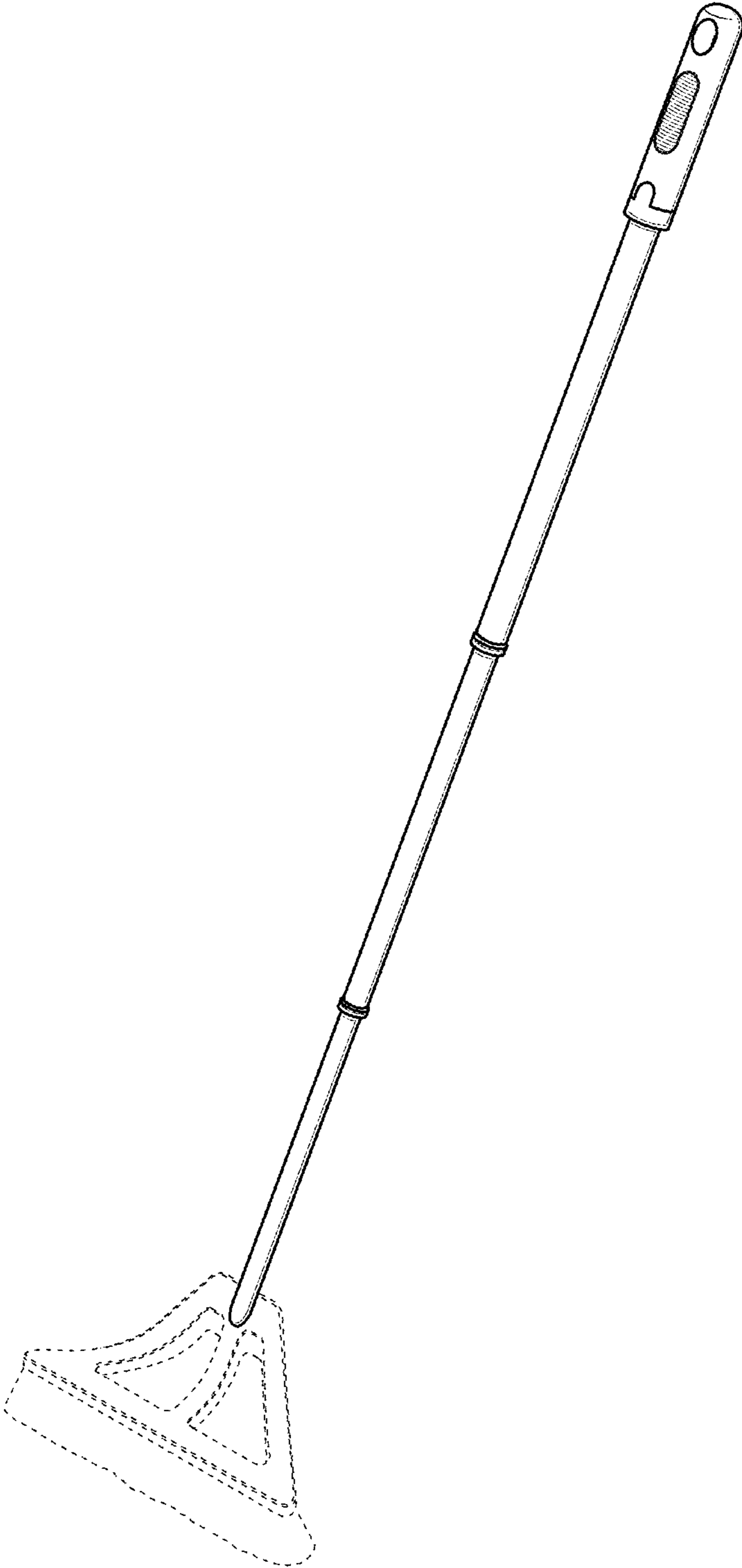


FIG. 1

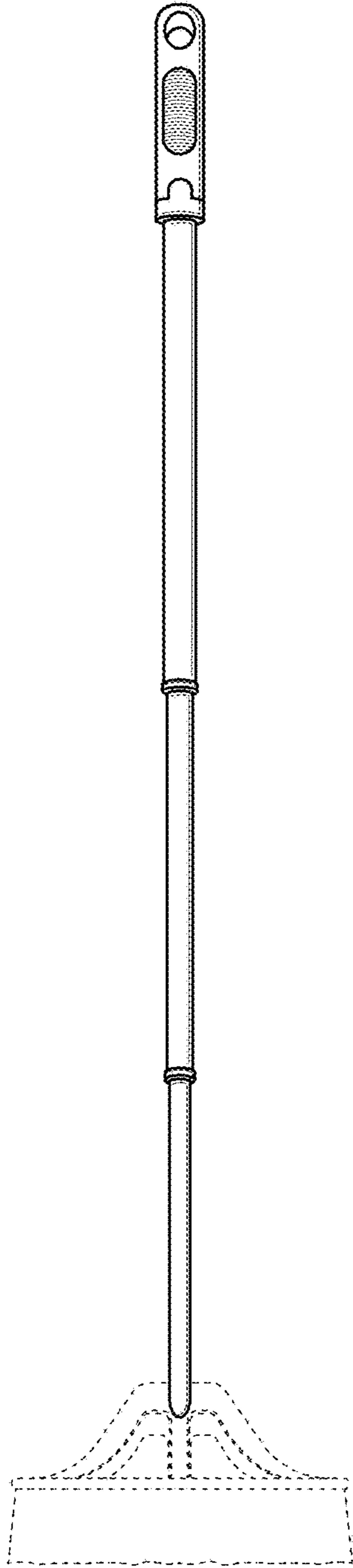


FIG. 2

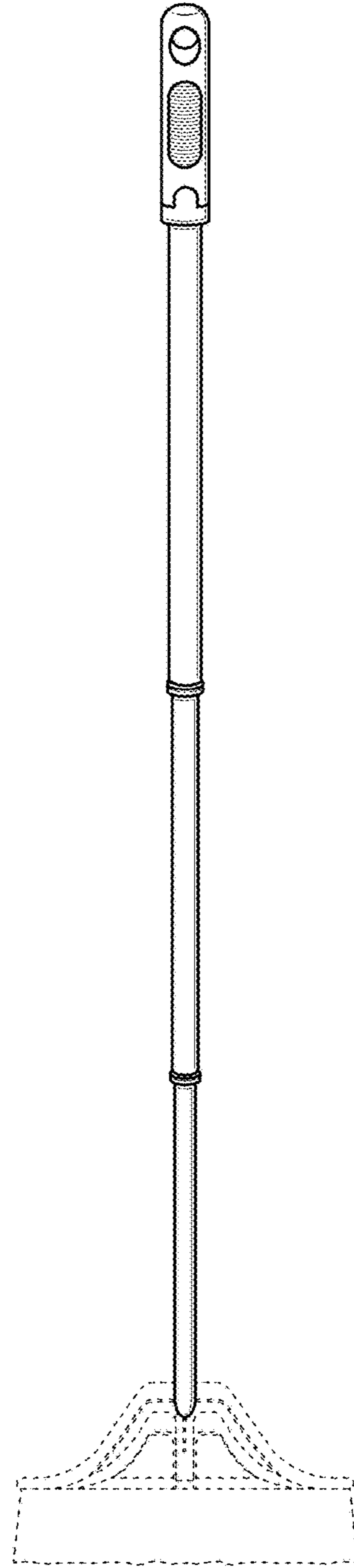


FIG. 3

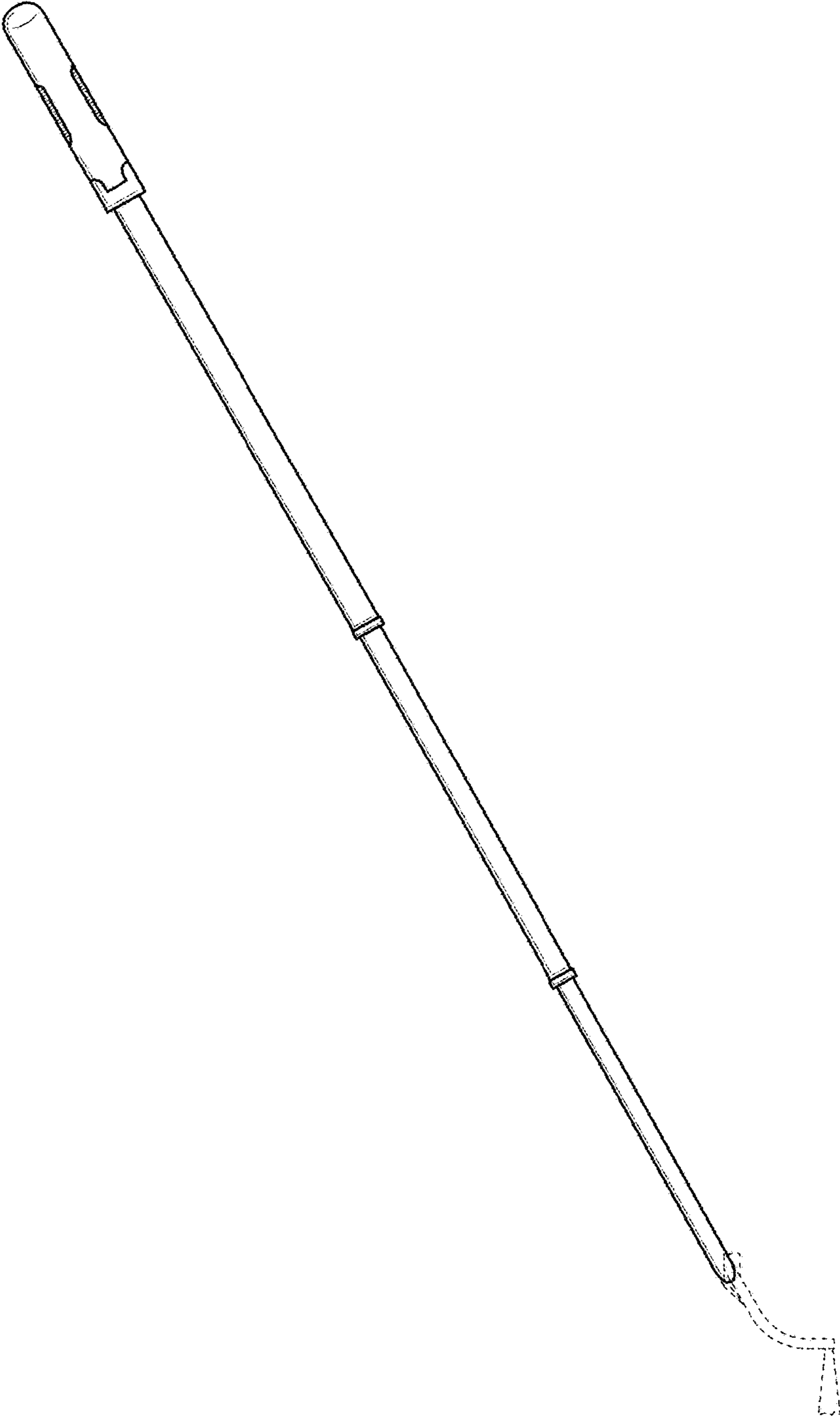


FIG. 4

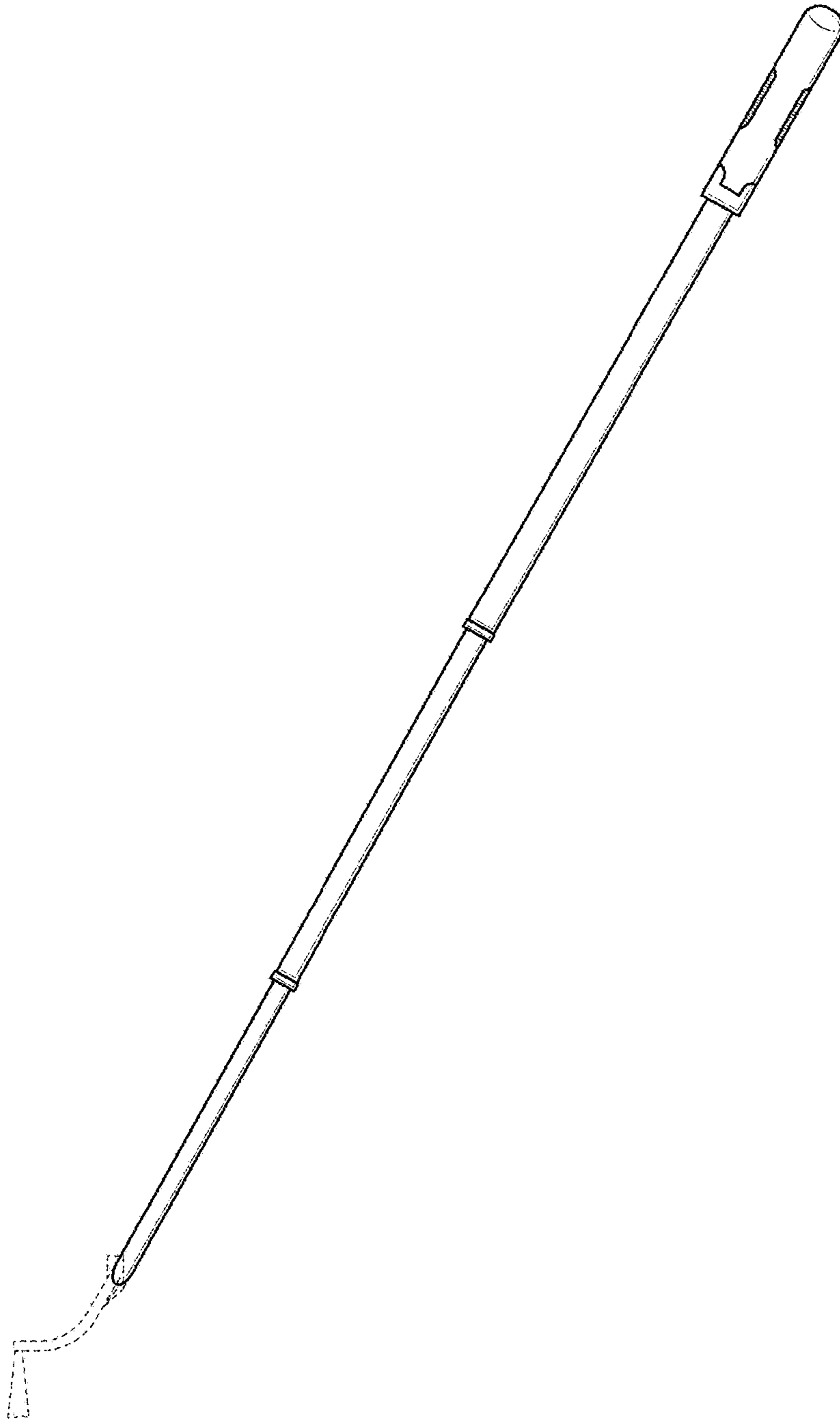


FIG.5

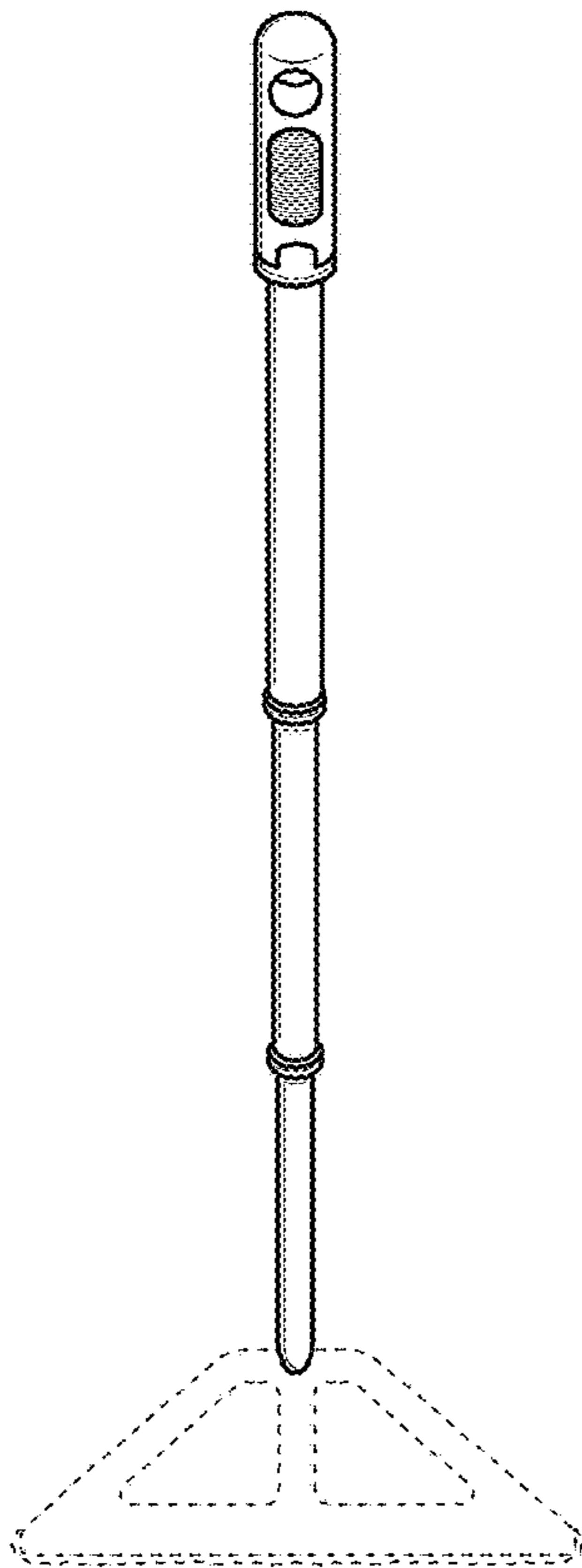


FIG. 6

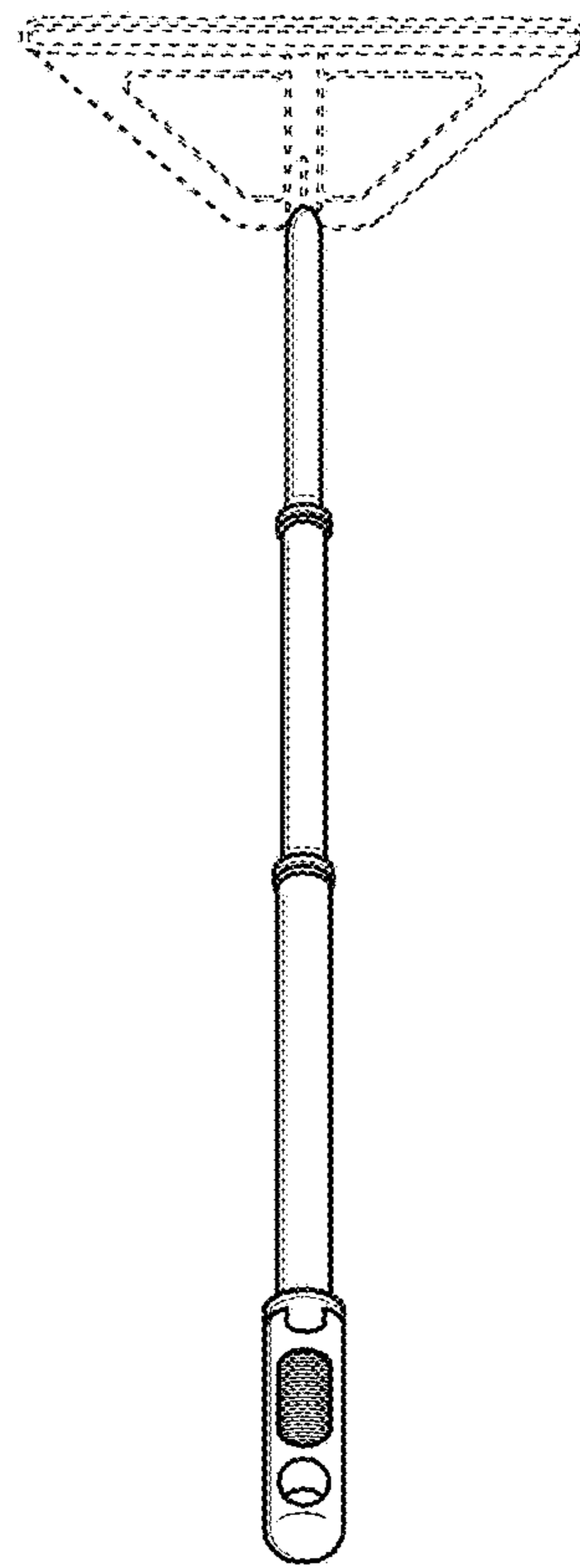


FIG. 7