



US00D789636S

(12) **United States Design Patent**
Gonzalez et al.

(10) **Patent No.:** **US D789,636 S**
(45) **Date of Patent:** **** Jun. 13, 2017**

- (54) **END CAPS FOR MOP STICK**
- (71) Applicants: **Ricardo Gonzalez**, Miami, FL (US);
Raul Chavez, Miami, FL (US)
- (72) Inventors: **Ricardo Gonzalez**, Miami, FL (US);
Raul Chavez, Miami, FL (US)
- (73) Assignee: **R&R International Group, Inc.**,
Miami, FL (US)
- (**) Term: **15 Years**
- (21) Appl. No.: **29/528,853**
- (22) Filed: **Jun. 1, 2015**
- (51) **LOC (10) Cl.** **04-01**
- (52) **U.S. Cl.**
USPC **D32/50**
- (58) **Field of Classification Search**
USPC D32/35, 39-40, 49-52, 71-72, 66, 69;
D8/32, 67, 80, 88, 94; D4/130-135;
D14/225, 229
CPC A47L 13/12; A47L 13/16; A47L 13/20;
A47L 13/24; A47L 13/144; A47L 13/146;
B24D 13/045; B25B 23/16; H01H 69/02;
H01H 85/30
See application file for complete search history.

- (56) **References Cited**
U.S. PATENT DOCUMENTS
809,978 A * 1/1906 Ogle H01H 85/30
337/243
4,186,365 A * 1/1980 Fahnoe H01H 85/303
337/206
D265,176 S * 6/1982 Bock D34/39
4,409,729 A * 10/1983 Shah H01H 69/02
29/623
D280,975 S * 10/1985 Van Dine D9/504
D297,887 S * 10/1988 Hattersley D3/7

4,870,386 A * 9/1989 Arikawa H01H 85/055
337/162
D327,421 S * 6/1992 Pagan 248/188.9
5,165,143 A * 11/1992 Detchon A47L 13/42
16/421

(Continued)

FOREIGN PATENT DOCUMENTS

KR 300436420.0000 * 1/2007

OTHER PUBLICATIONS

Amazon.com: Household Essentials Fibertech Top Ironing Board, review date Oct. 11, 2012, <http://www.amazon.com/Household-Essentials-Fibertech-Ironing-Natural/dp/B00488HSYQ>, [site visited May 13, 2016 7:08:27 PM].*

(Continued)

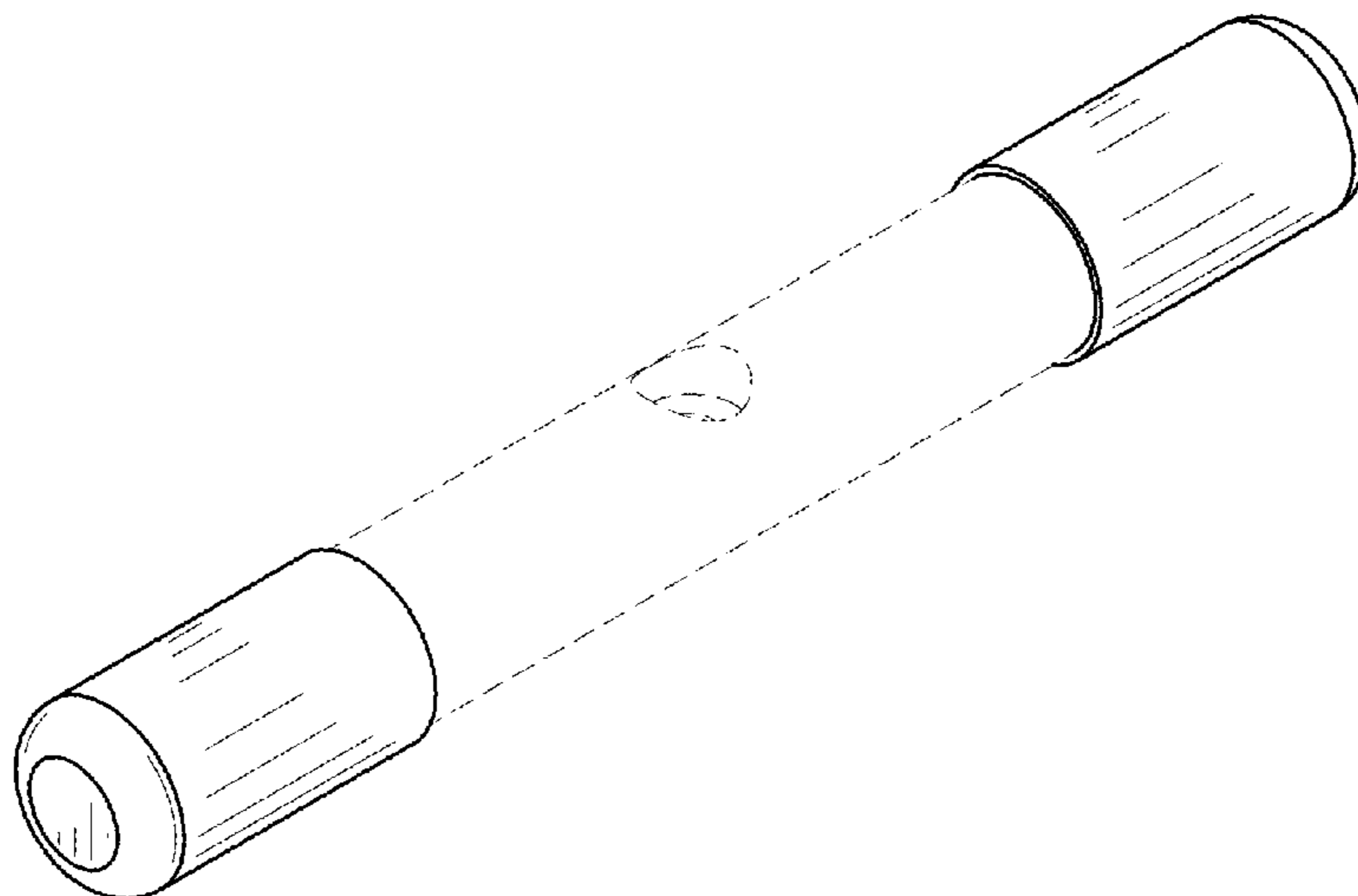
Primary Examiner — John Windmuller
Assistant Examiner — John R Yeh
(74) *Attorney, Agent, or Firm* — William R. Trueba, Jr.;
Roberto M. Suarez; Espinosa, Trueba, Martinez, PL

(57) **CLAIM**
The ornamental design for end caps for a mop stick, as shown and described.

DESCRIPTION

FIG. 1 is a close-up, top perspective view of end caps for a mop stick of our new design with part of the mop stick illustrated in broken lines;
FIG. 2 is a close-up, side elevational view thereof;
FIG. 3 is a close-up, front elevational view thereof;
FIG. 4 is a close-up, top elevational view thereof;
FIG. 5 is a close-up, bottom elevational view thereof;
FIG. 6 is a top perspective view of end caps for a mop stick with the entire mop stick illustrated in broken lines; and,
FIG. 7 is a top, side perspective view thereof.
The broken lines in FIGS. 1 through 7 are to illustrate an exemplary mop stick that forms no part of the claimed design.

1 Claim, 3 Drawing Sheets



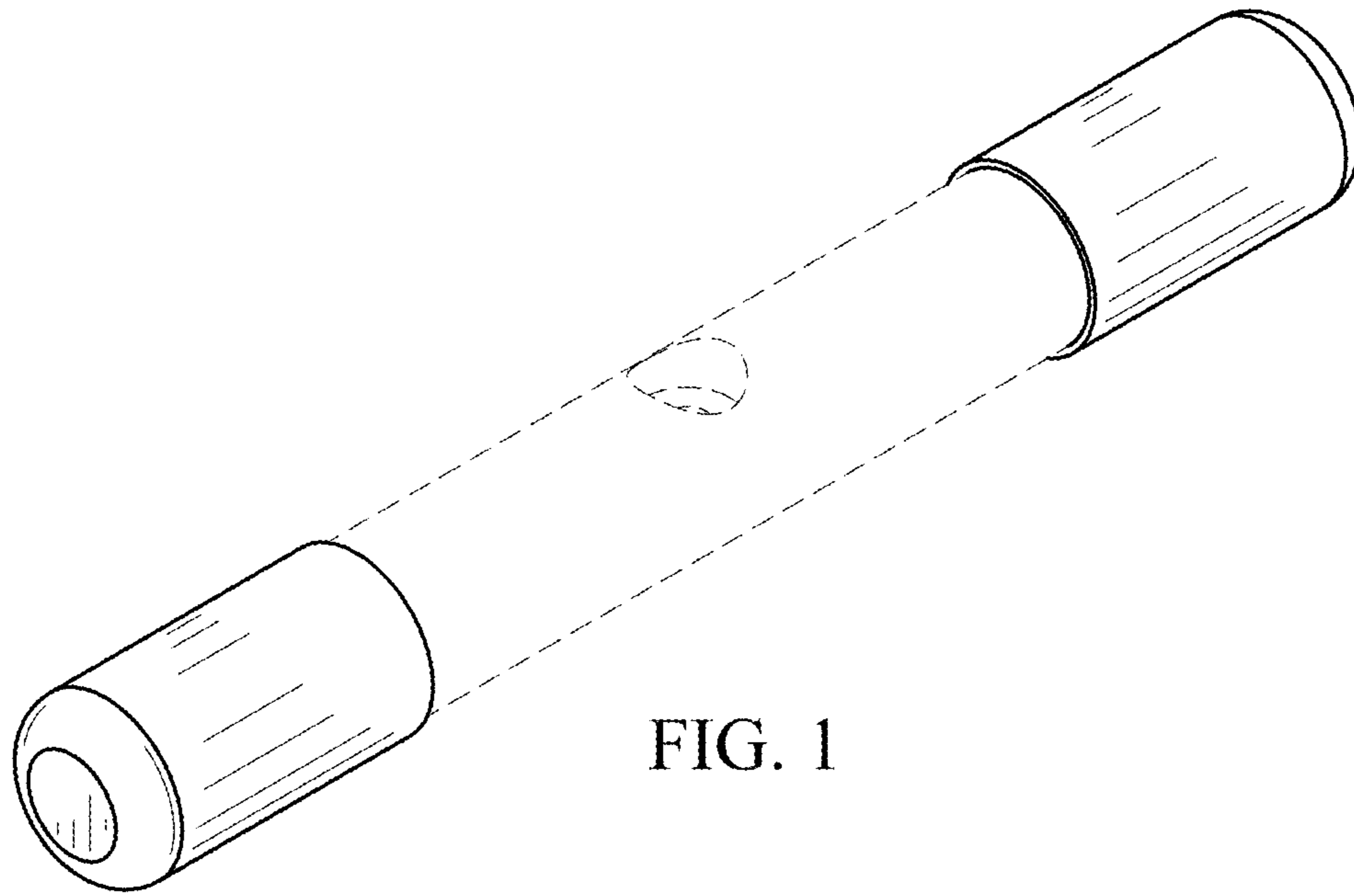


FIG. 1

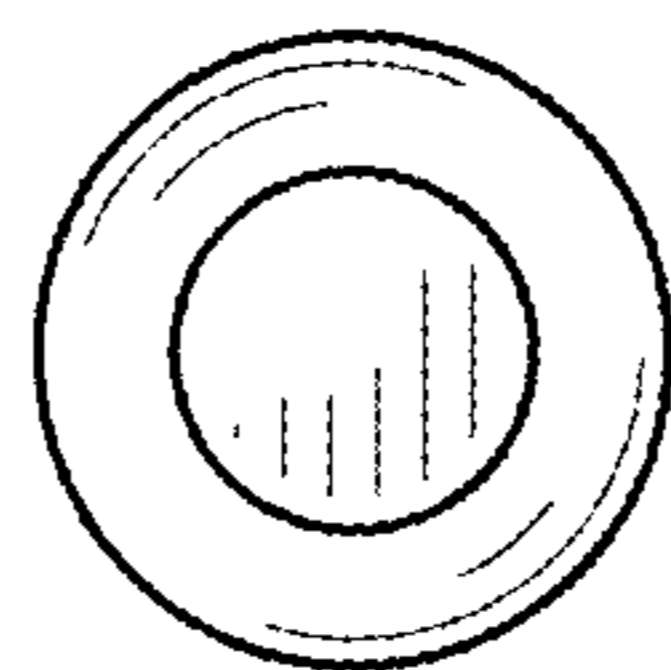


FIG. 2

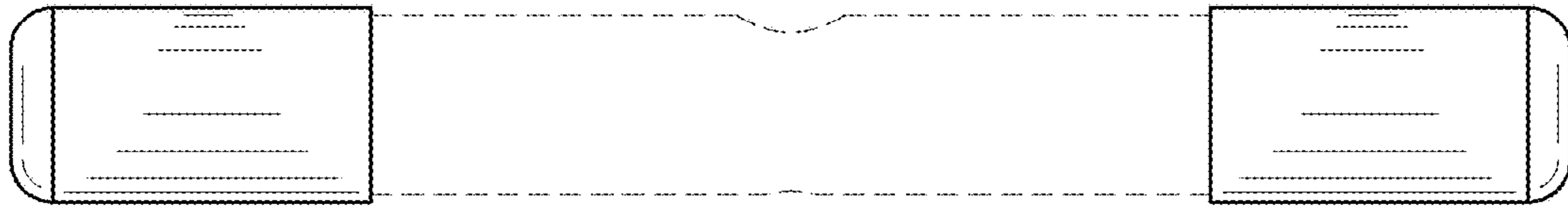


FIG. 3

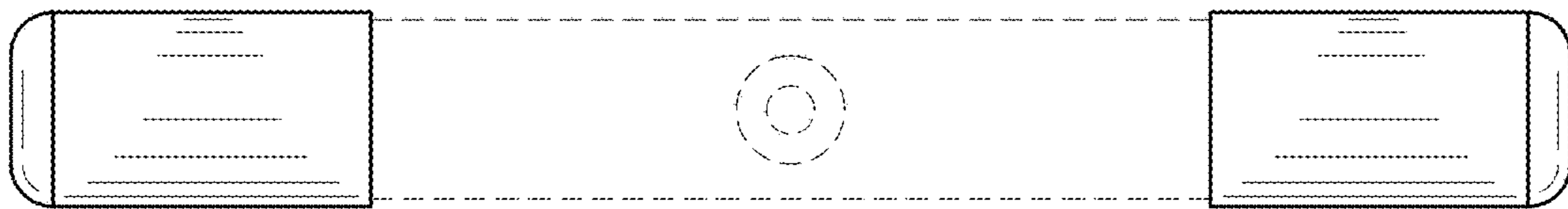


FIG. 4

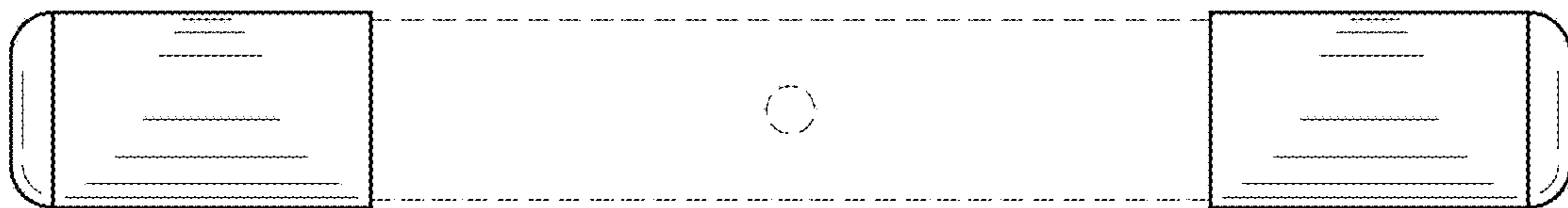


FIG. 5

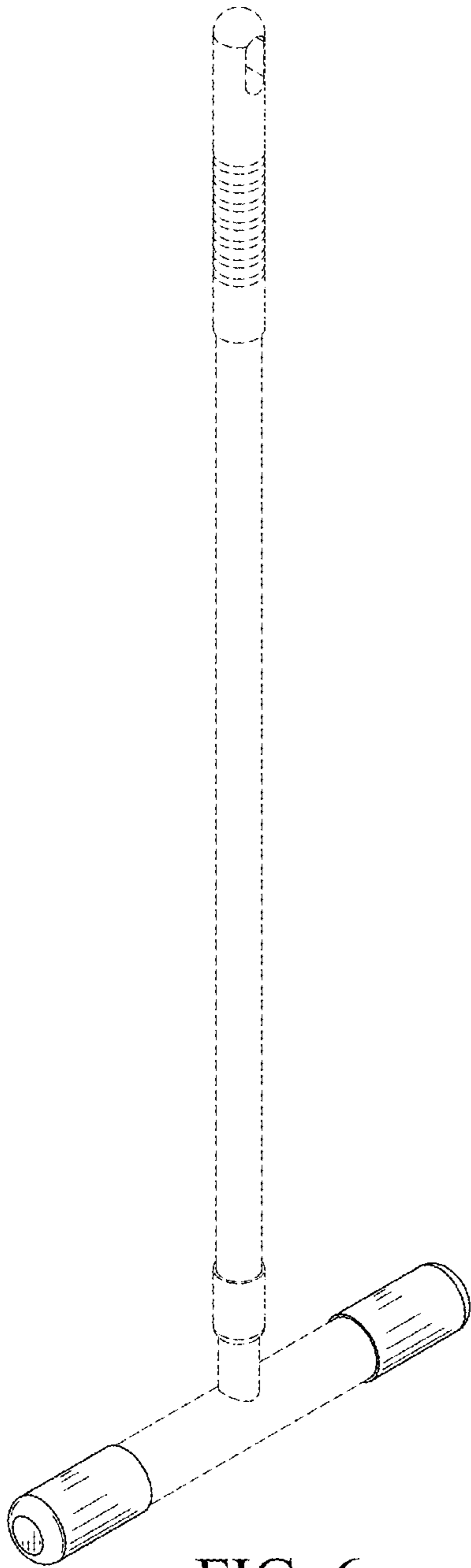


FIG. 6

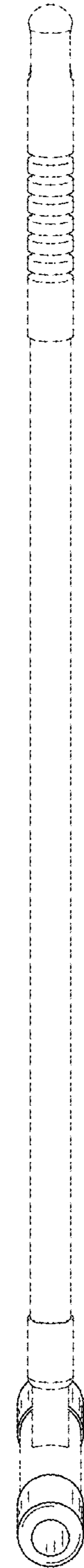


FIG. 7