



US00D789635S

(12) **United States Design Patent**
Couser

(10) **Patent No.:** **US D789,635 S**

(45) **Date of Patent:** **** Jun. 13, 2017**

(54) **DUAL CLEANING PAD WITH TELESCOPIC HANDLE**

(71) Applicant: **Audrey Couser**, Rochester, NY (US)

(72) Inventor: **Audrey Couser**, Rochester, NY (US)

(**) Term: **15 Years**

(21) Appl. No.: **29/563,270**

(22) Filed: **May 3, 2016**

(51) **LOC (10) Cl.** **04-01**

(52) **U.S. Cl.**
USPC **D32/42**

(58) **Field of Classification Search**
USPC D32/40-49; 16/110.1-429; D8/300-301,
D8/303, 305-307, 70, 62; D4/120, 114;
D9/519, 545, 516
CPC .. A47B 95/02; A47K 7/02; A63H 3/00; A47L
13/16

See application file for complete search history.

(56) **References Cited**

U.S. PATENT DOCUMENTS

- 67,787 A * 8/1867 Miles B43L 19/00
15/105.52
- 455,567 A * 7/1891 Kraft A47L 13/16
15/118
- 1,510,898 A * 10/1924 Nikicser A46B 5/00
15/106
- 1,853,238 A * 4/1932 Shields A47K 7/028
15/244.1
- 1,921,921 A * 8/1933 Harvie A47L 13/23
15/244.1
- D157,209 S * 2/1950 Siegel D32/42
- 2,744,281 A * 5/1956 Zinggeler A47K 7/028
15/143.1
- 2,977,625 A * 4/1961 Hopkins A47L 13/16
15/244.1
- 3,161,905 A * 12/1964 Dryden A47L 13/257
15/119.2
- D219,304 S * 11/1970 Willinger D32/42

- D236,072 S * 7/1975 Tsang D32/41
- D236,564 S * 9/1975 Kaufman 15/114
- D260,408 S * 8/1981 Ruffing D21/731
- D267,282 S * 12/1982 Gross D32/51
- D268,446 S * 3/1983 Sudduth D32/45
- D268,447 S * 3/1983 Sudduth D32/45
- D300,478 S * 3/1989 Hoyt D32/40
- D337,659 S * 7/1993 Lacy D32/42
- D351,285 S * 10/1994 Joyner D28/63

(Continued)

FOREIGN PATENT DOCUMENTS

JP D1444431 * 6/2012

OTHER PUBLICATIONS

Amazon.com: Natural Exfoliating Loofah Back Sponge, website 2017, [https://www.amazon.com/Natural-Exfoliating-Loofah-Sponge-Scrubber/dp/B01K477F7O/ref=sr_1_31?ie=UTF8&qid=1489628332&sr=8-31&keywords=dual+sided+scrubber,\[site visited Mar. 15, 2017 9:40:03 PM\].*](https://www.amazon.com/Natural-Exfoliating-Loofah-Sponge-Scrubber/dp/B01K477F7O/ref=sr_1_31?ie=UTF8&qid=1489628332&sr=8-31&keywords=dual+sided+scrubber,[site visited Mar. 15, 2017 9:40:03 PM].*)

Primary Examiner — John Windmuller

Assistant Examiner — John R Yeh

(74) *Attorney, Agent, or Firm* — RG Patent Consulting, LLC; Rachel Gilboy

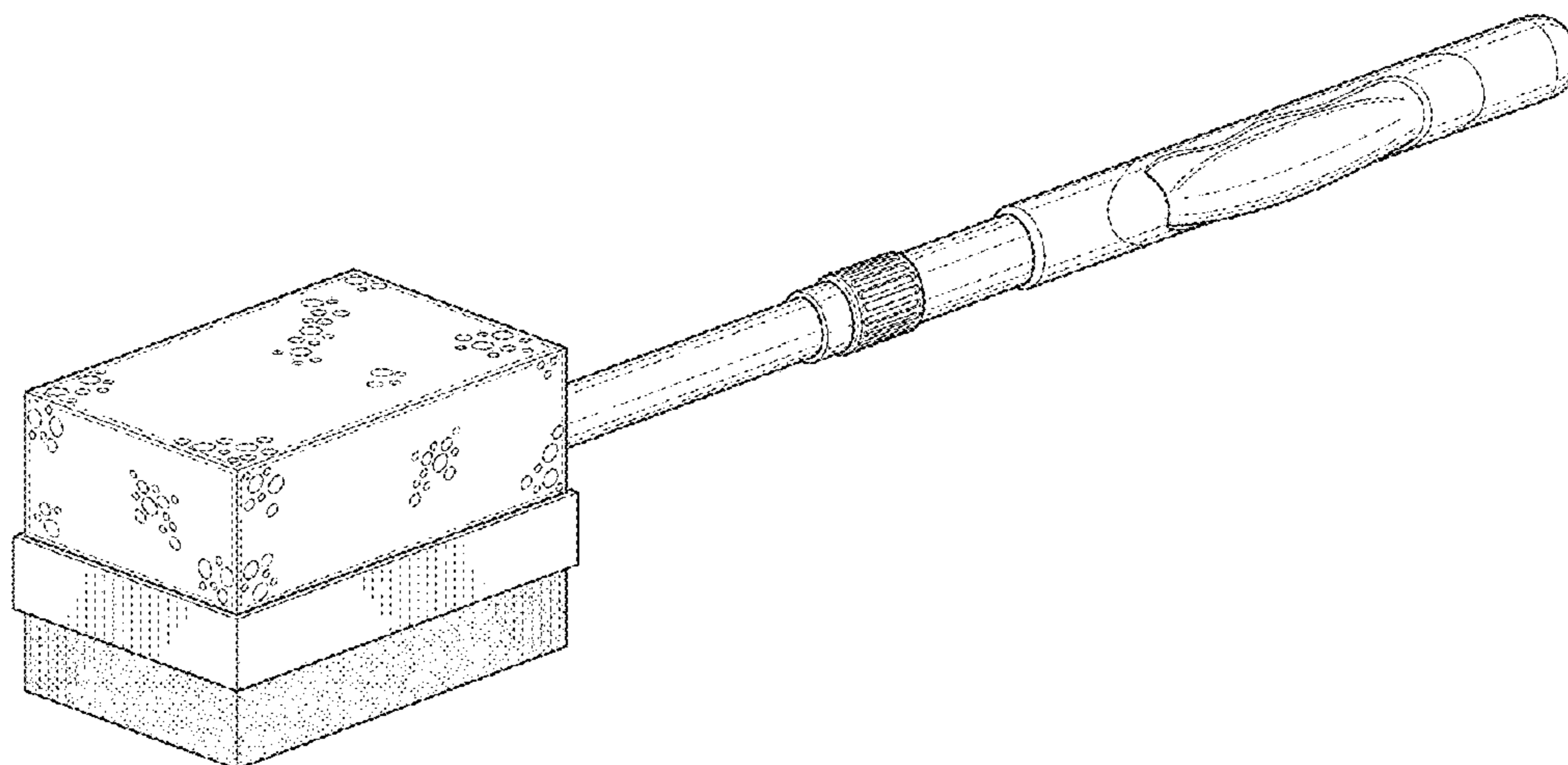
(57) **CLAIM**

The ornamental design for a dual cleaning pad with telescopic handle, as shown and described.

DESCRIPTION

FIG. 1 is a perspective view of the dual cleaning pad with telescopic handle showing my new design; FIG. 2 is a front elevation view thereof; FIG. 3 is a rear elevation view thereof; FIG. 4 is a left side elevation view thereof; FIG. 5 is a right side elevation view thereof; FIG. 6 is a top plan view thereof; and, FIG. 7 is a bottom plan view thereof.

1 Claim, 4 Drawing Sheets



(56)

References Cited

U.S. PATENT DOCUMENTS

5,351,356 A * 10/1994 Townsend, Jr. A47L 13/11
15/105
D374,557 S * 10/1996 Whitaker D32/42
D384,457 S * 9/1997 Morissette D32/51
5,799,357 A * 9/1998 Taylor E04H 4/1609
15/144.4
2007/0017053 A1* 1/2007 Chen A47L 13/16
15/244.3

* cited by examiner

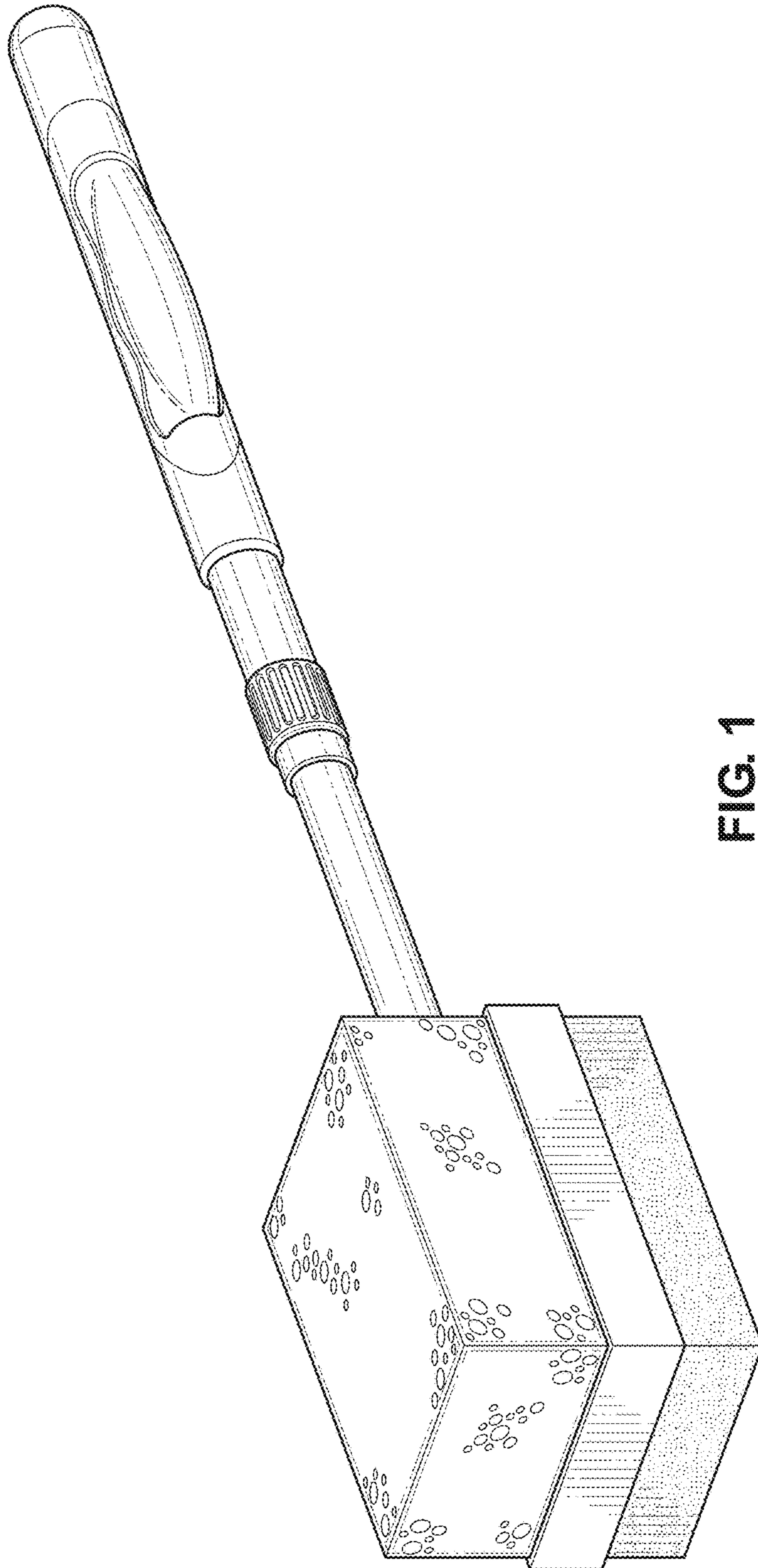


FIG. 1

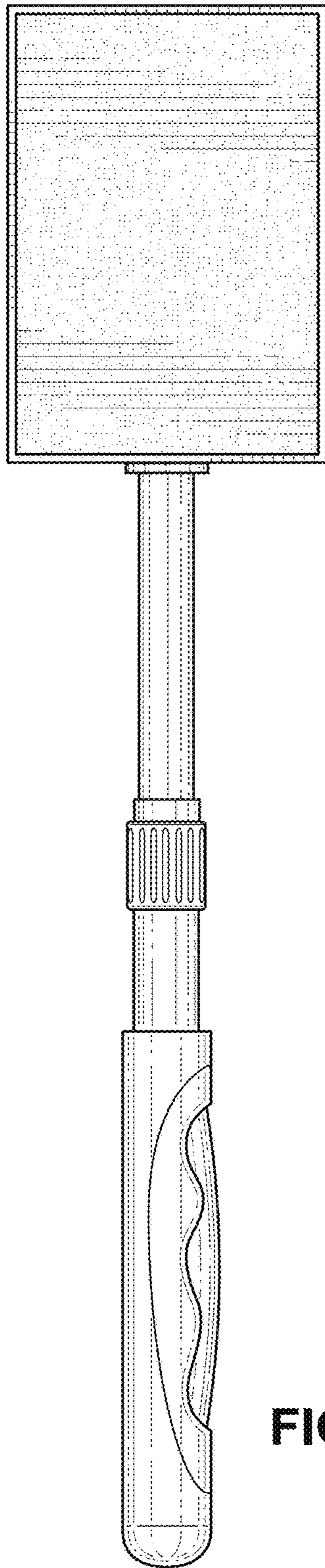


FIG. 2

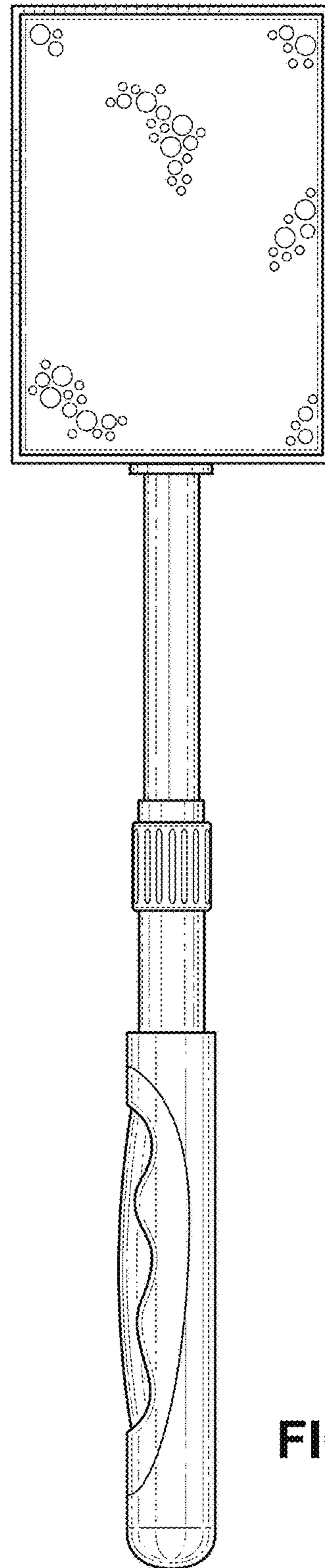


FIG. 3

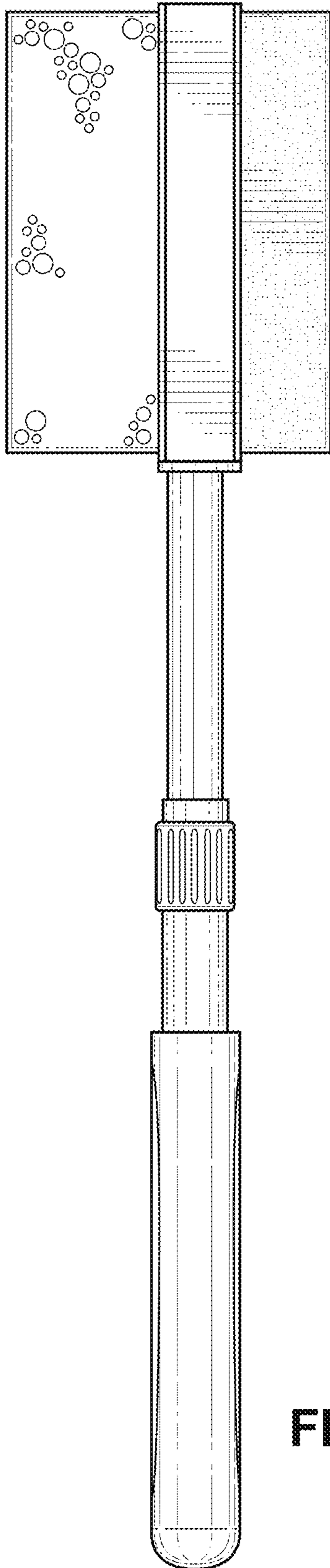


FIG. 4

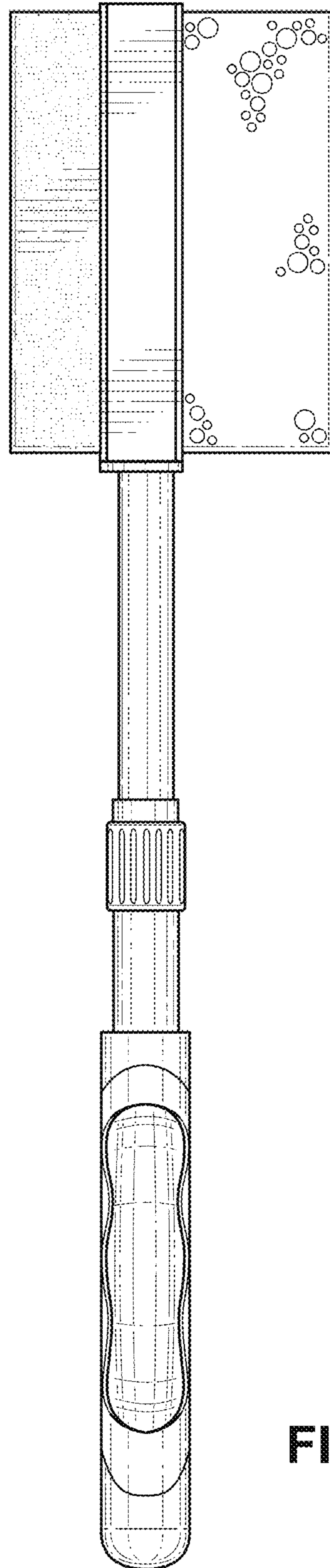


FIG. 5

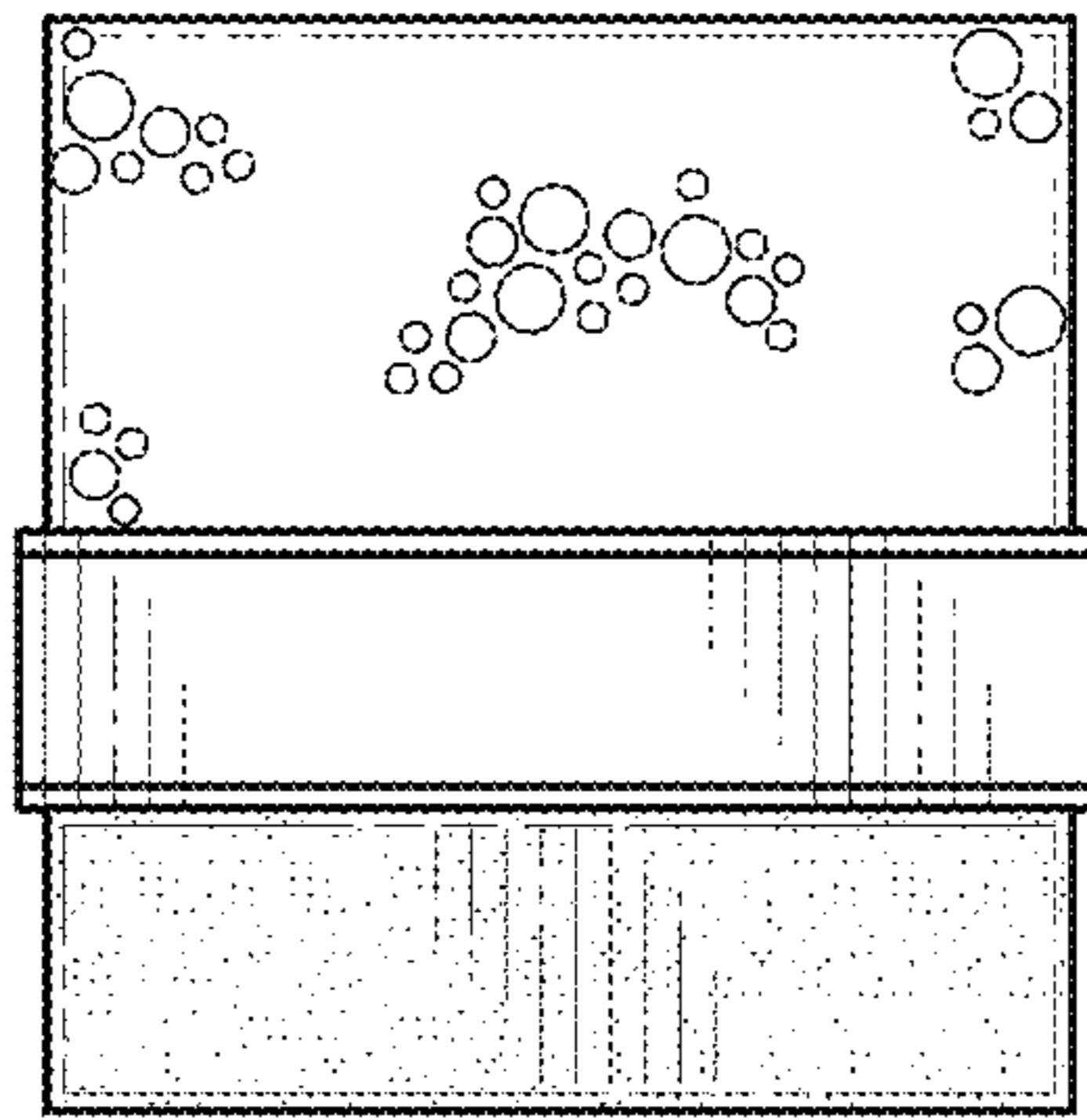


FIG. 6

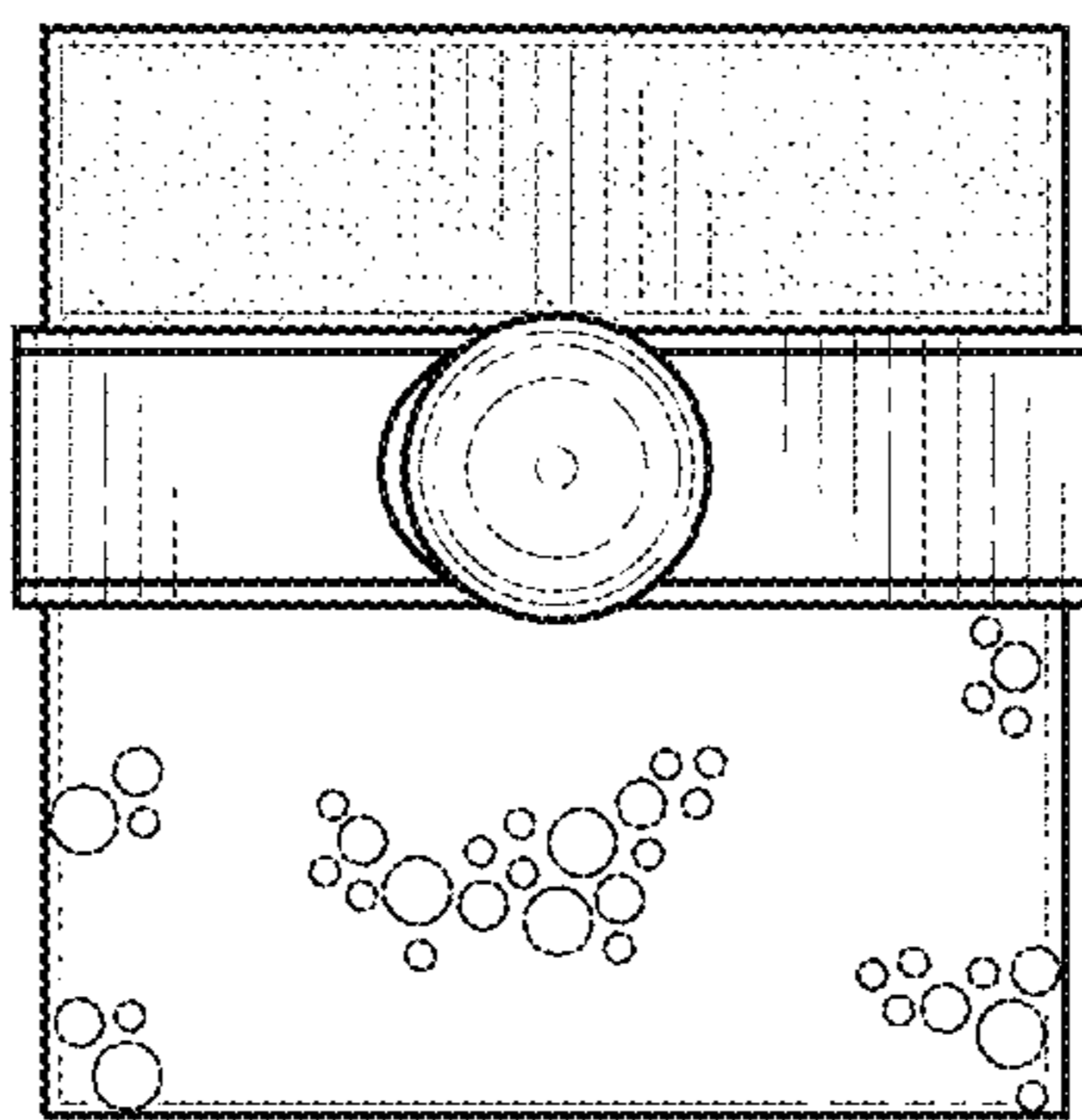


FIG. 7