



US00D789634S

(12) **United States Design Patent**  
**Witter et al.**

(10) **Patent No.: US D789,634 S**  
(45) **Date of Patent: \*\* Jun. 13, 2017**

(54) **VACUUM ASSIST SCRAPER TOOL**

(71) Applicants: **Robert M Witter**, Englewood, FL  
(US); **Jeffrey Hill**, Cicero, NY (US);  
**John J. Fitzsimmons**, Clay, NY (US);  
**Jacob Pleume**, Baldwinsville, NY (US)

(72) Inventors: **Robert M Witter**, Englewood, FL  
(US); **Jeffrey Hill**, Cicero, NY (US);  
**John J. Fitzsimmons**, Clay, NY (US);  
**Jacob Pleume**, Baldwinsville, NY (US)

(73) Assignee: **Oneida Air Systems, Inc.**, Syracuse, NY  
(US)

(\*\*) Term: **15 Years**

(21) Appl. No.: **29/532,642**

(22) Filed: **Jul. 9, 2015**

(51) **LOC (10) Cl.** ..... **15-05**

(52) **U.S. Cl.**  
USPC ..... **D32/32**

(58) **Field of Classification Search**  
USPC ..... D32/31–33, 17, 46–49  
CPC .. D06F 87/00; A47L 5/24; A47L 11/34; A47L  
11/4044; A47L 11/4086; A47L 11/4069;  
A47L 9/02; A47L 9/0461; A47L 9/0693;  
A47L 9/06; A47L 7/009; F23J 3/02;  
B23Q 11/0875

See application file for complete search history.

(56) **References Cited**

**U.S. PATENT DOCUMENTS**

5,794,303 A \* 8/1998 Sanfilippo ..... A47L 5/26  
15/339  
6,601,266 B1 \* 8/2003 Faraci ..... A47L 9/02  
15/246.2

D540,994 S \* 4/2007 Borges ..... D32/33  
D658,829 S \* 5/2012 Ediger ..... D32/17  
D659,315 S \* 5/2012 Hollis ..... D32/33  
2003/0159241 A1 \* 8/2003 Calzolari ..... A47L 13/08  
15/401  
2008/0109986 A1 \* 5/2008 Loveless ..... A47L 9/06  
15/401  
2011/0099746 A1 \* 5/2011 Brown ..... A47L 5/24  
15/344  
2013/0318741 A1 \* 12/2013 Moyher, Jr. .... A47L 5/362  
15/327.1  
2015/0354128 A1 \* 12/2015 Choo ..... D06F 75/14  
68/222  
2016/0270612 A1 \* 9/2016 Witter ..... A47L 9/06

\* cited by examiner

*Primary Examiner* — Ruth McInroy

(74) *Attorney, Agent, or Firm* — Bernhard P. Molldrem,  
Jr.

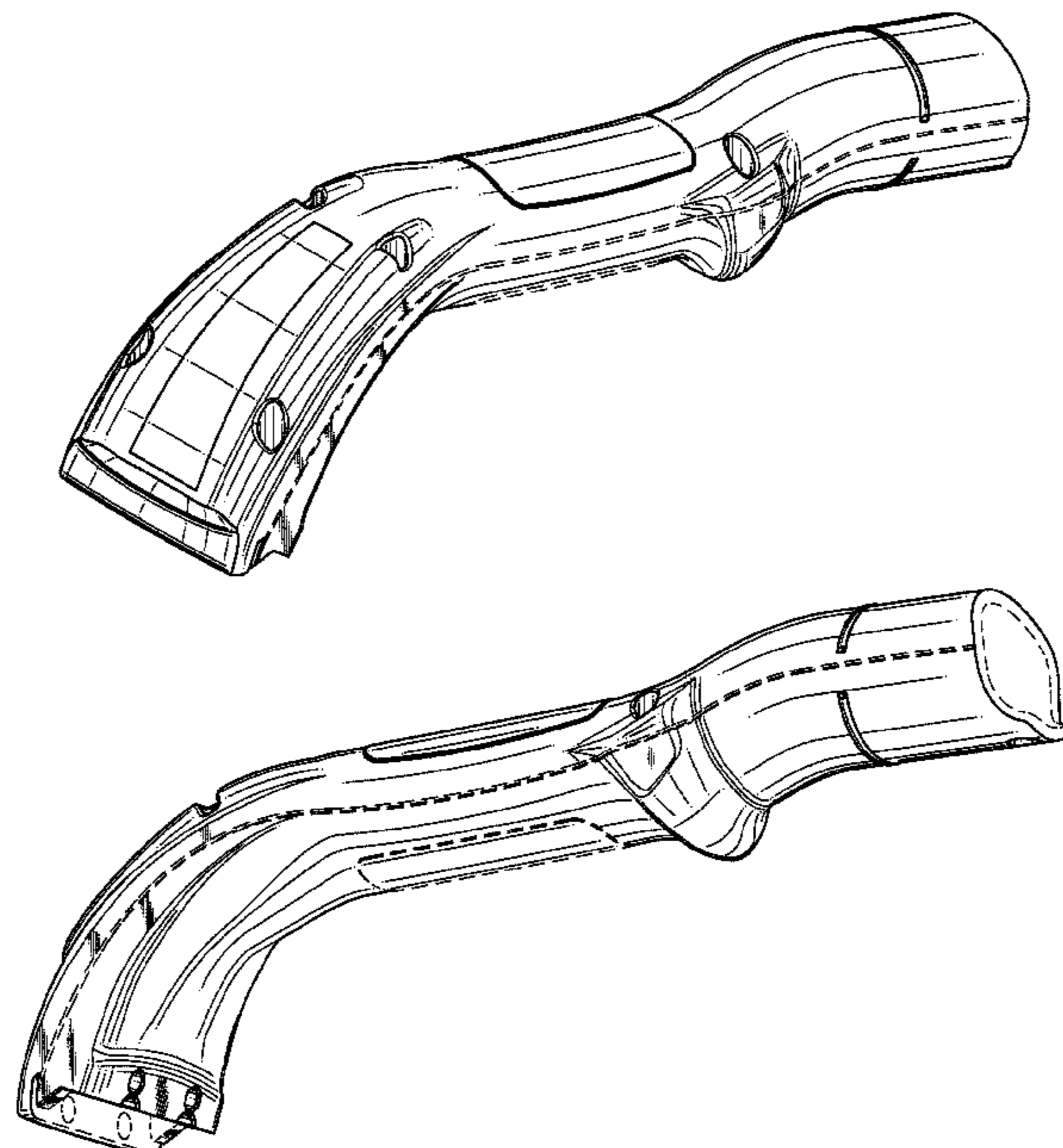
(57) **CLAIM**

The ornamental design for a vacuum assist scraper tool, as shown and described.

**DESCRIPTION**

FIG. 1 is a front, left isometric view of a vacuum assist scraper tool, showing our new design.  
FIG. 2 is a rear, left isometric view thereof.  
FIG. 3 is a top plan view thereof.  
FIG. 4 is a right left side elevation thereof.  
FIG. 5 is a right side elevation thereof.  
FIG. 6 is a bottom view thereof.  
FIG. 7 is a front view thereof; and,  
FIG. 8 is a rear view thereof.  
Partition lines, interior of the tool, and threaded fasteners, shown in broken line, form no part of our design.

**1 Claim, 8 Drawing Sheets**



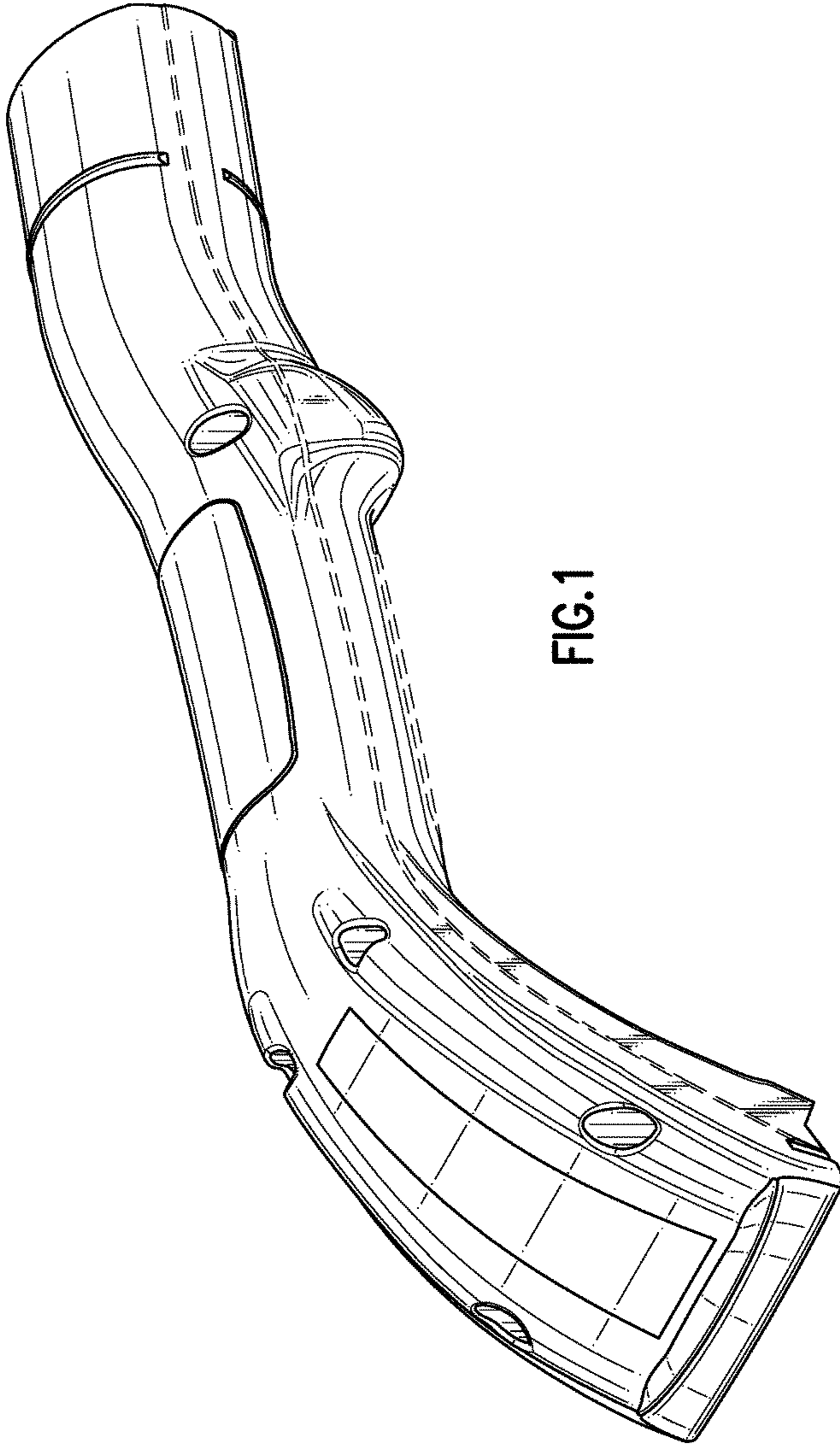


FIG. 1

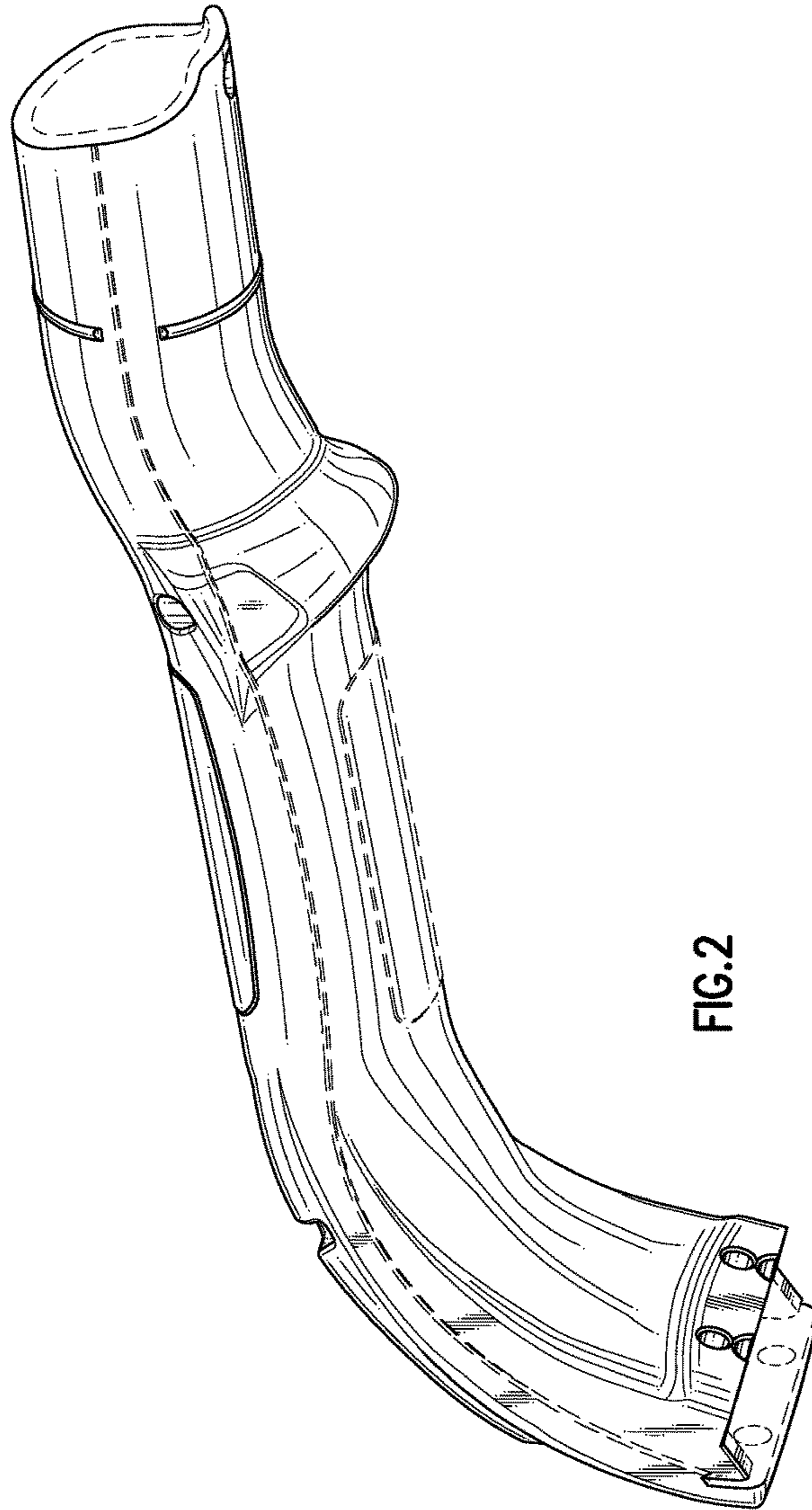


FIG. 2

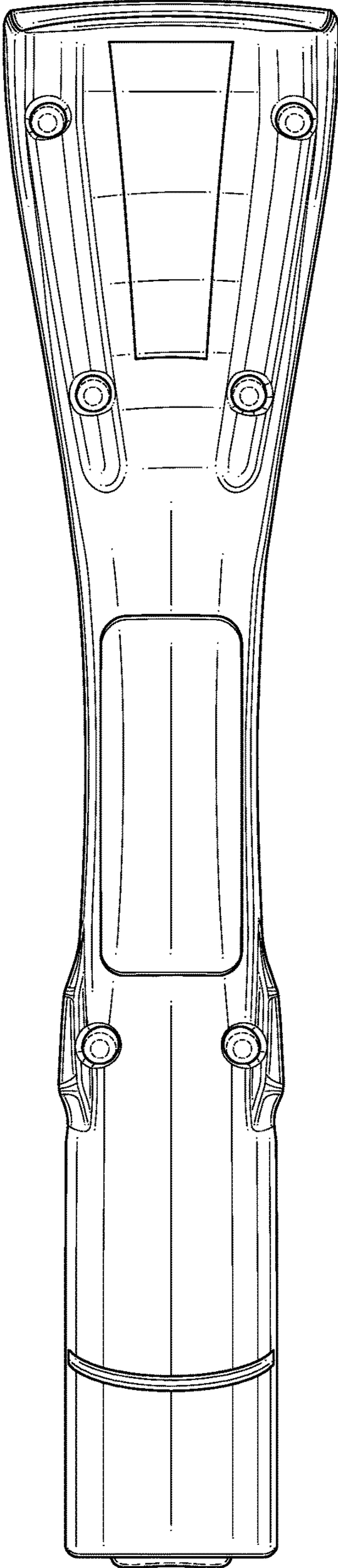


FIG.3



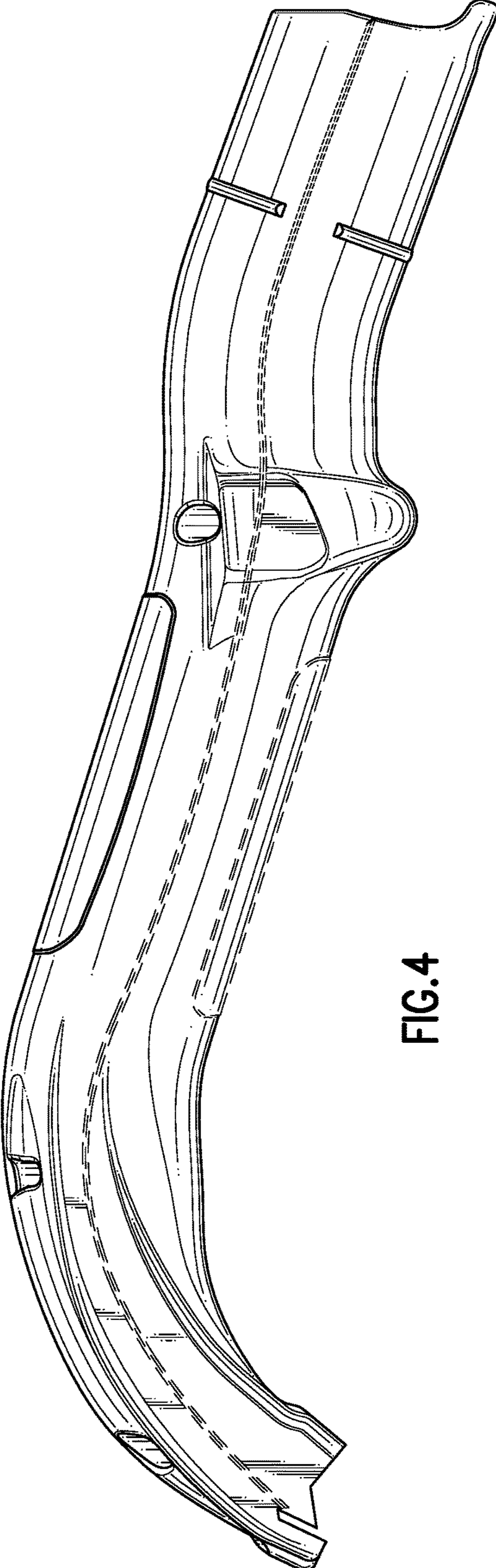


FIG.4

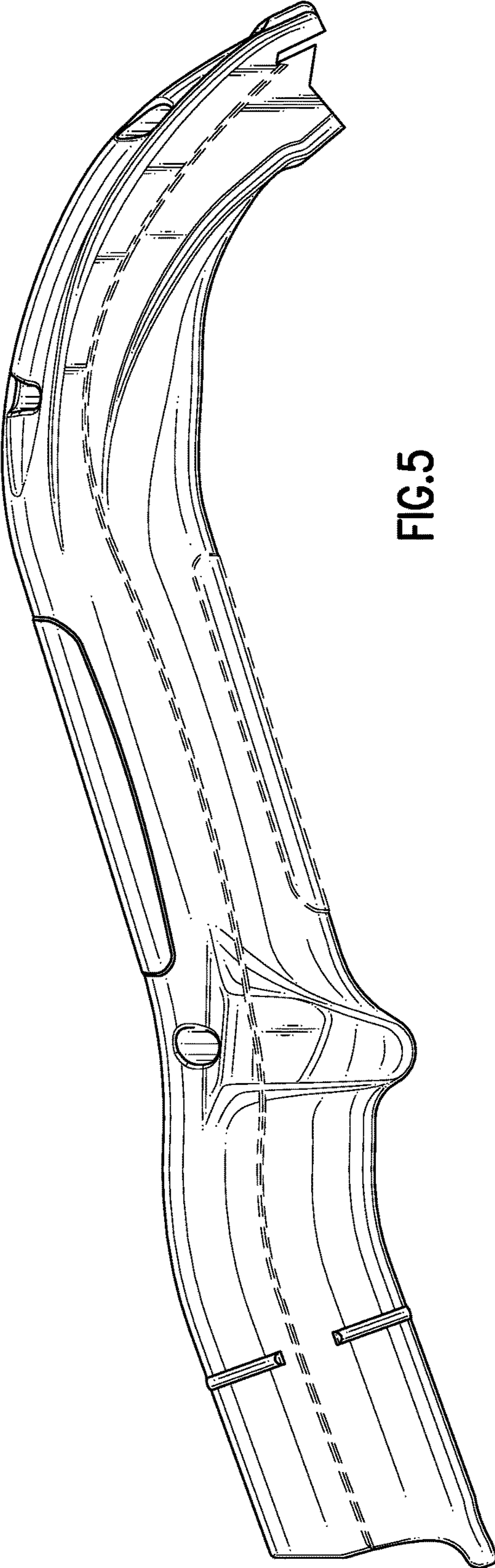


FIG.5

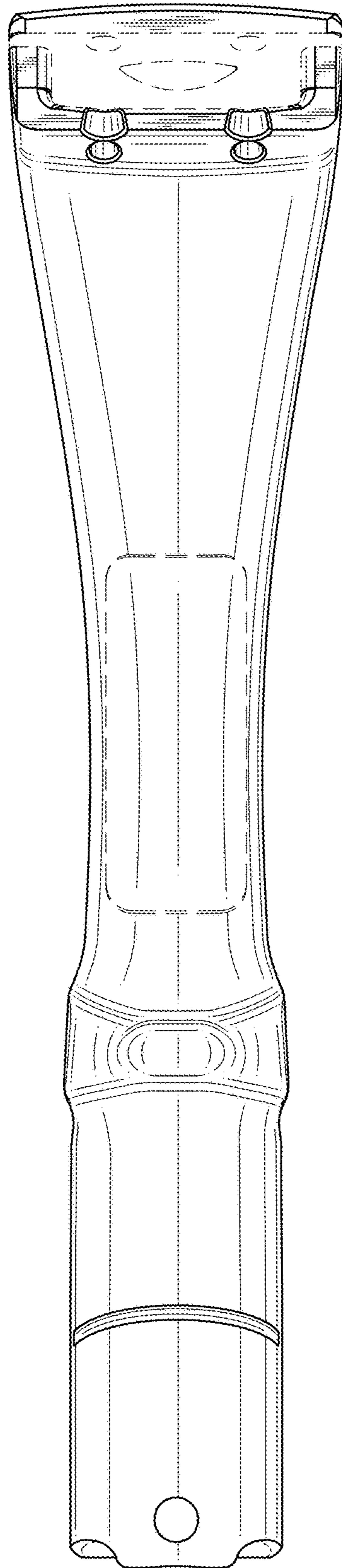


FIG. 6

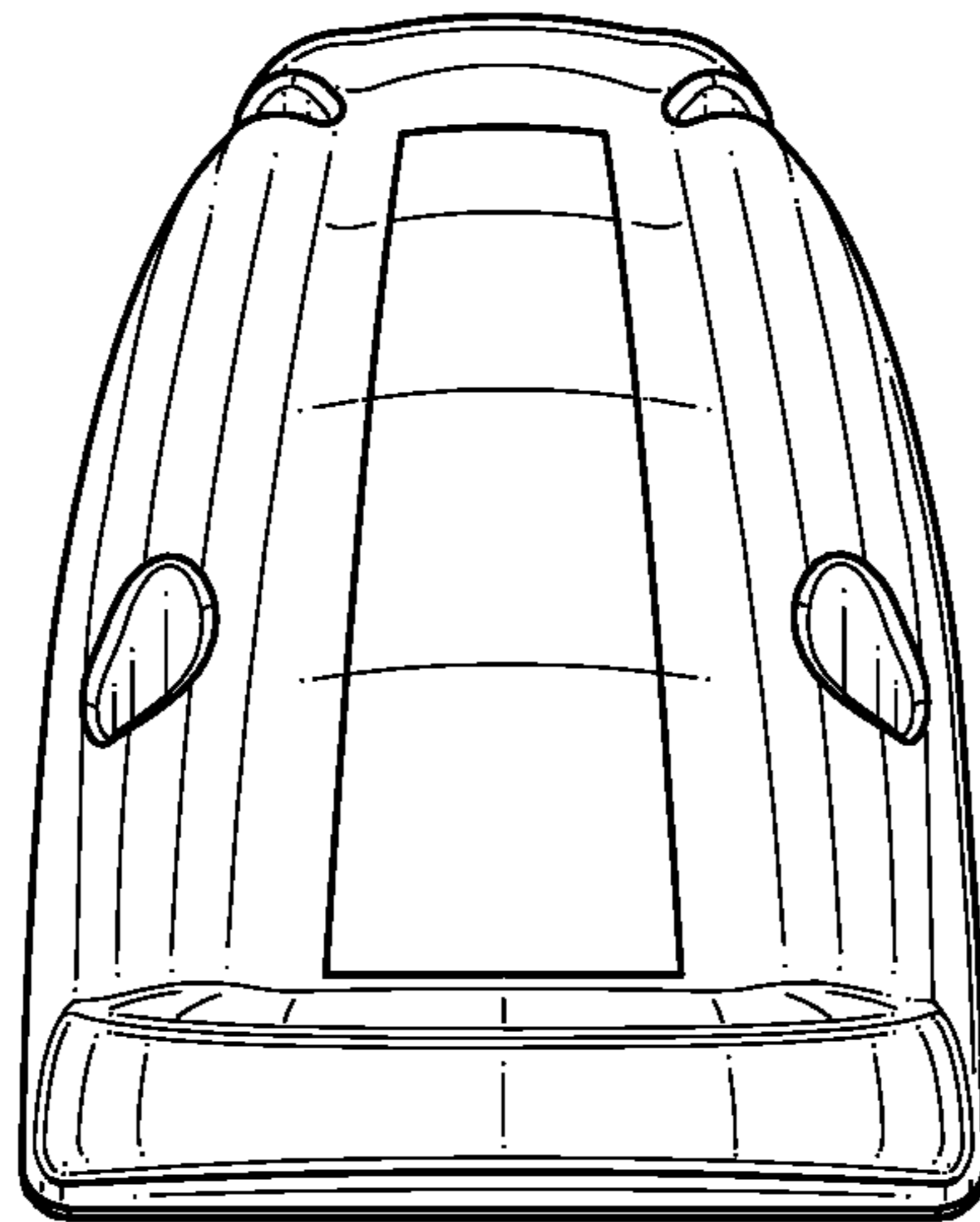


FIG.7



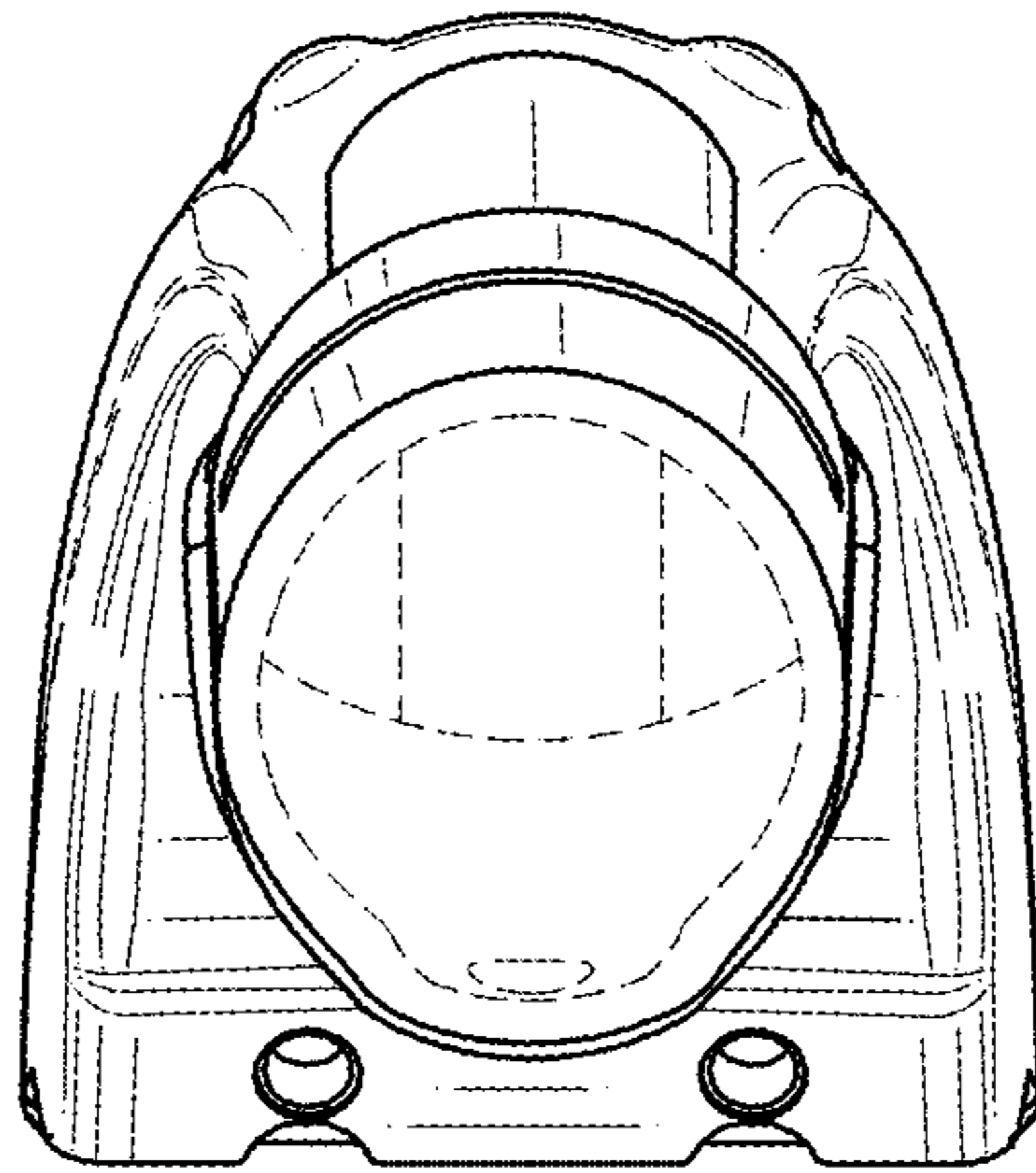


FIG.8