



US00D789630S

(12) **United States Design Patent** (10) **Patent No.:** **US D789,630 S**
Hwang et al. (45) **Date of Patent:** **** Jun. 13, 2017**

(54) **DRUM LIFTER FOR DRUM WASHING MACHINE**

(71) Applicant: **Samsung Electronics Co., Ltd.**, Suwon-si (KR)

(72) Inventors: **Junghoon Hwang**, Yongin-si (KR); **Deoksang Yun**, Ansan-si (KR); **Yeonsu Kim**, Seoul (KR); **Wonchul Hwang**, Seoul (KR)

(73) Assignee: **SAMSUNG ELECTRONICS CO., LTD.**, Gyeonggi-Do (KR)

(**) Term: **15 Years**

(21) Appl. No.: **29/537,279**

(22) Filed: **Aug. 24, 2015**

(30) **Foreign Application Priority Data**

Feb. 24, 2015 (KR) 30-2015-0009301

(51) **LOC (10) Cl.** **15-05**

(52) **U.S. Cl.**
USPC **D32/29**

(58) **Field of Classification Search**
USPC D32/1-6, 25, 28, 29
CPC D06F 37/06; D06F 37/02; D06F 37/28;
D06F 35/006; D06F 39/12; D06F 39/22;
D06F 58/06; D06F 58/08; D06F 39/14;
D06F 58/04; D06F 37/065

See application file for complete search history.

(56) **References Cited**

U.S. PATENT DOCUMENTS

D700,411 S * 2/2014 Ha D32/29
D713,105 S * 9/2014 Reger D32/25
D713,106 S * 9/2014 Reger D32/29
D720,901 S * 1/2015 Bangle D32/29
D720,902 S * 1/2015 Bangle D32/29

D722,212 S * 2/2015 Kim D32/29
D722,733 S * 2/2015 Kim D32/29
D748,874 S * 2/2016 Roberson D32/3
D755,456 S * 5/2016 Roberson D32/3
2007/0295035 A1* 12/2007 Lim D06F 37/06
68/3 R
2008/0265074 A1* 10/2008 Melo B02C 17/22
241/299
2009/0071202 A1* 3/2009 Lee D06F 37/06
68/212
2009/0133447 A1* 5/2009 Yoon D06F 37/02
68/23.1
2010/0205826 A1* 8/2010 Ashrafzadeh D06F 58/04
34/499
2011/0100070 A1* 5/2011 Kim D06F 35/006
68/200
2011/0258872 A1* 10/2011 Kim D06F 37/02
34/85
2013/0026895 A1* 1/2013 Gweon D06F 37/265
312/228
2013/0081432 A1* 4/2013 Choi D06F 37/14
68/142

(Continued)

Primary Examiner — Michael A. Pratt

Assistant Examiner — Michelle E Wilson

(74) *Attorney, Agent, or Firm* — Cantor Colburn LLP

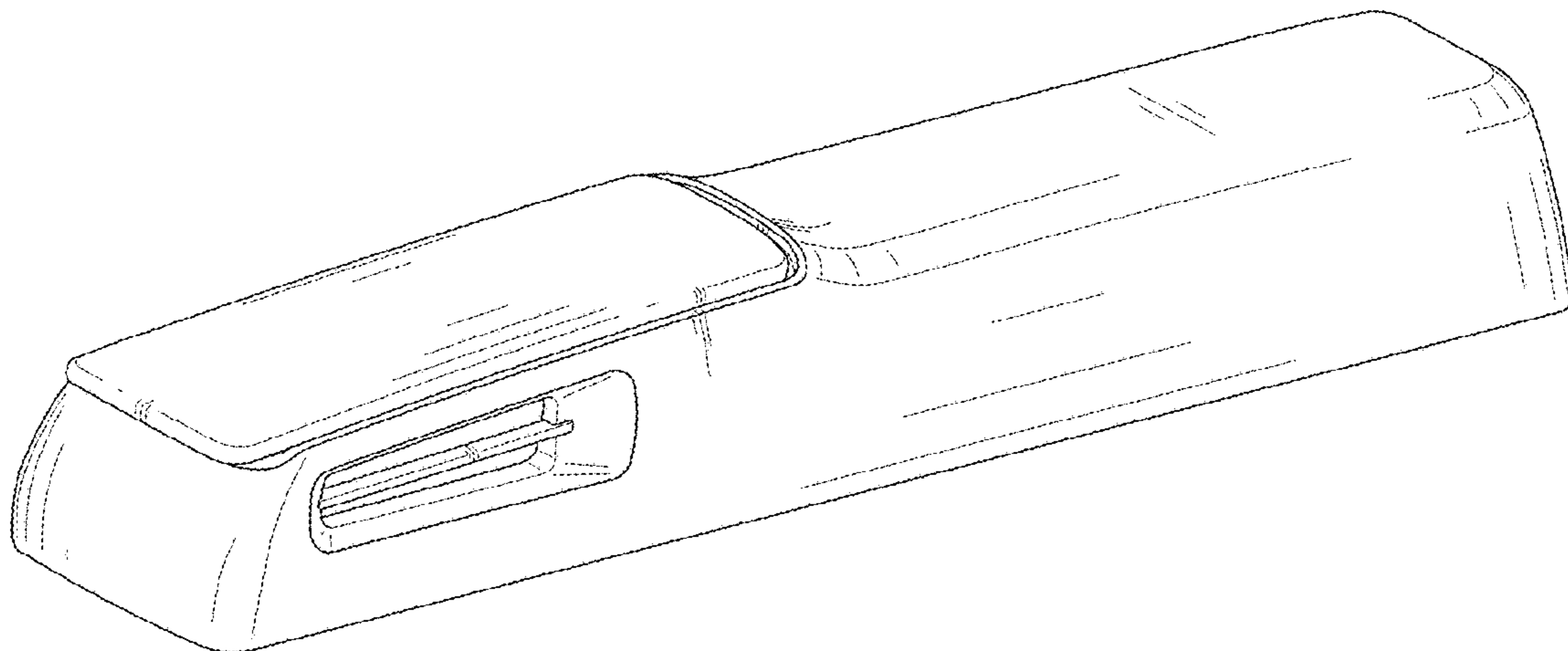
(57) **CLAIM**

The ornamental design for a drum lifter for drum washing machine, as shown and described.

DESCRIPTION

FIG. 1 is a perspective view of a drum lifter for drum washing machine, showing our new design;
FIG. 2 is a front view thereof;
FIG. 3 is a rear view thereof;
FIG. 4 is a side view thereof;
FIG. 5 is another side view thereof;
FIG. 6 is a top view thereof; and,
FIG. 7 is a bottom view thereof.

1 Claim, 7 Drawing Sheets



(56)

References Cited

U.S. PATENT DOCUMENTS

2013/0320824 A1* 12/2013 Choi D06F 39/12
312/228
2014/0001934 A1* 1/2014 Batur D06F 39/14
312/228
2014/0009049 A1* 1/2014 Sung D06F 37/28
312/228
2014/0182159 A1* 7/2014 Shin D06F 58/04
34/130
2014/0202217 A1* 7/2014 Hong D06F 37/02
68/140
2014/0215847 A1* 8/2014 Haselmeier D06F 58/02
34/499
2014/0318190 A1* 10/2014 Kim D06F 37/065
68/139
2015/0007395 A1* 1/2015 Kim D06F 37/065
8/137
2015/0128663 A1* 5/2015 Lee D06F 39/12
68/3 R

* cited by examiner

FIG. 1

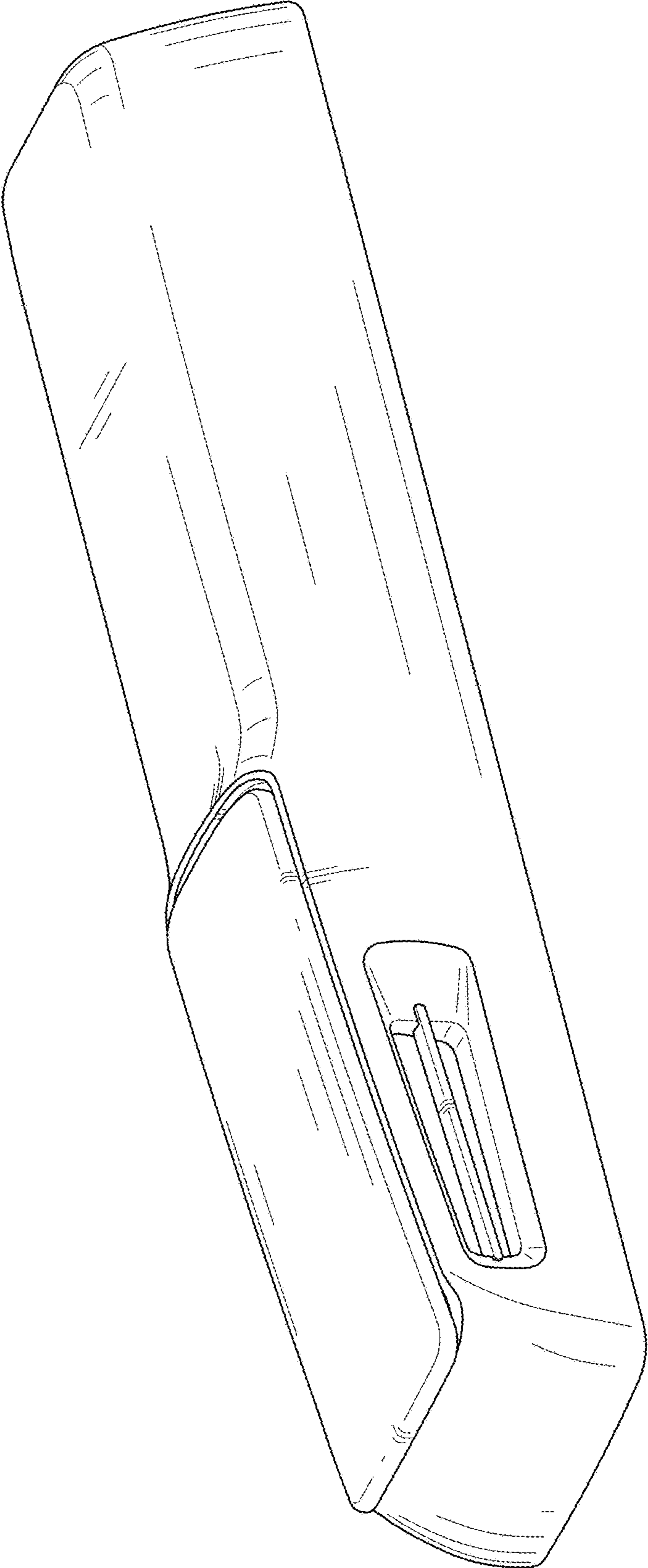


FIG. 2

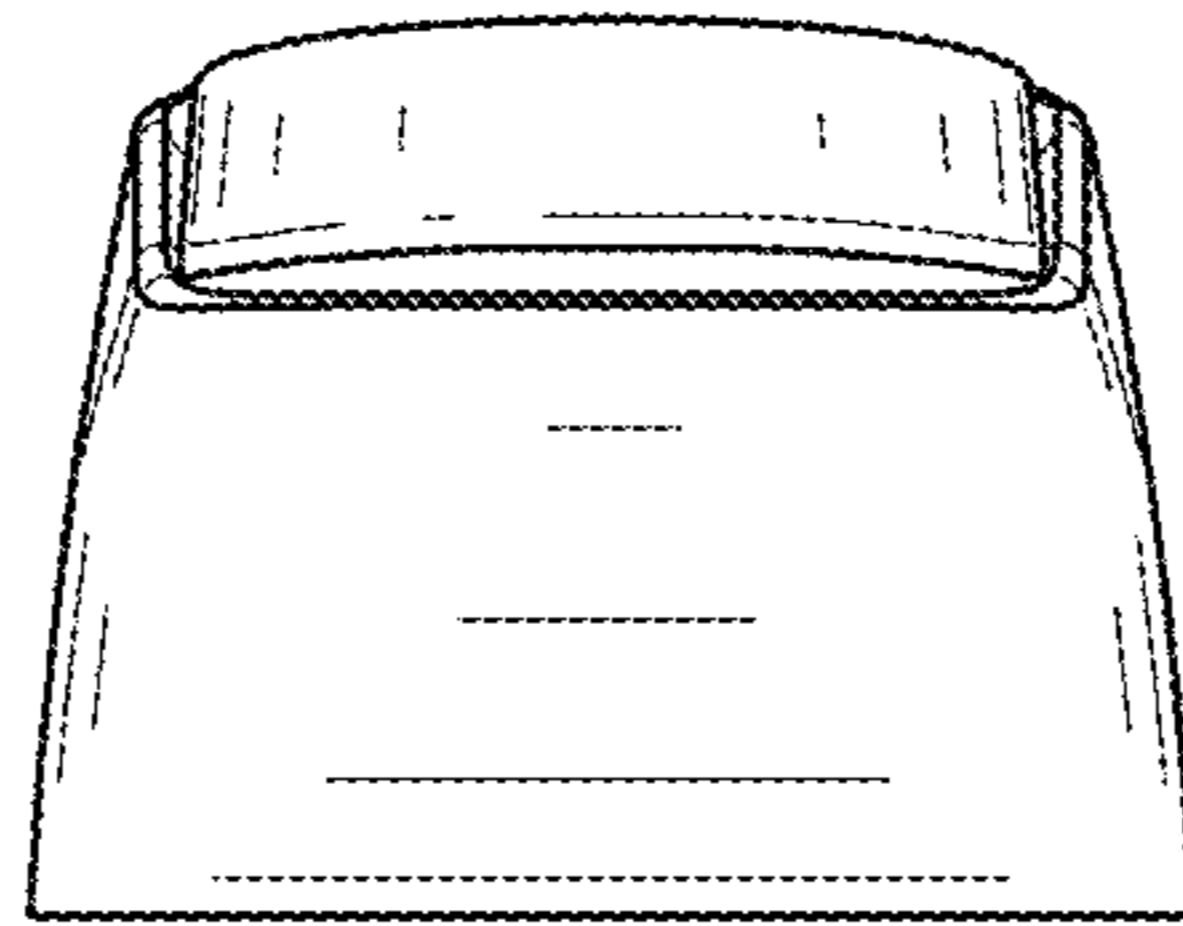


FIG. 3

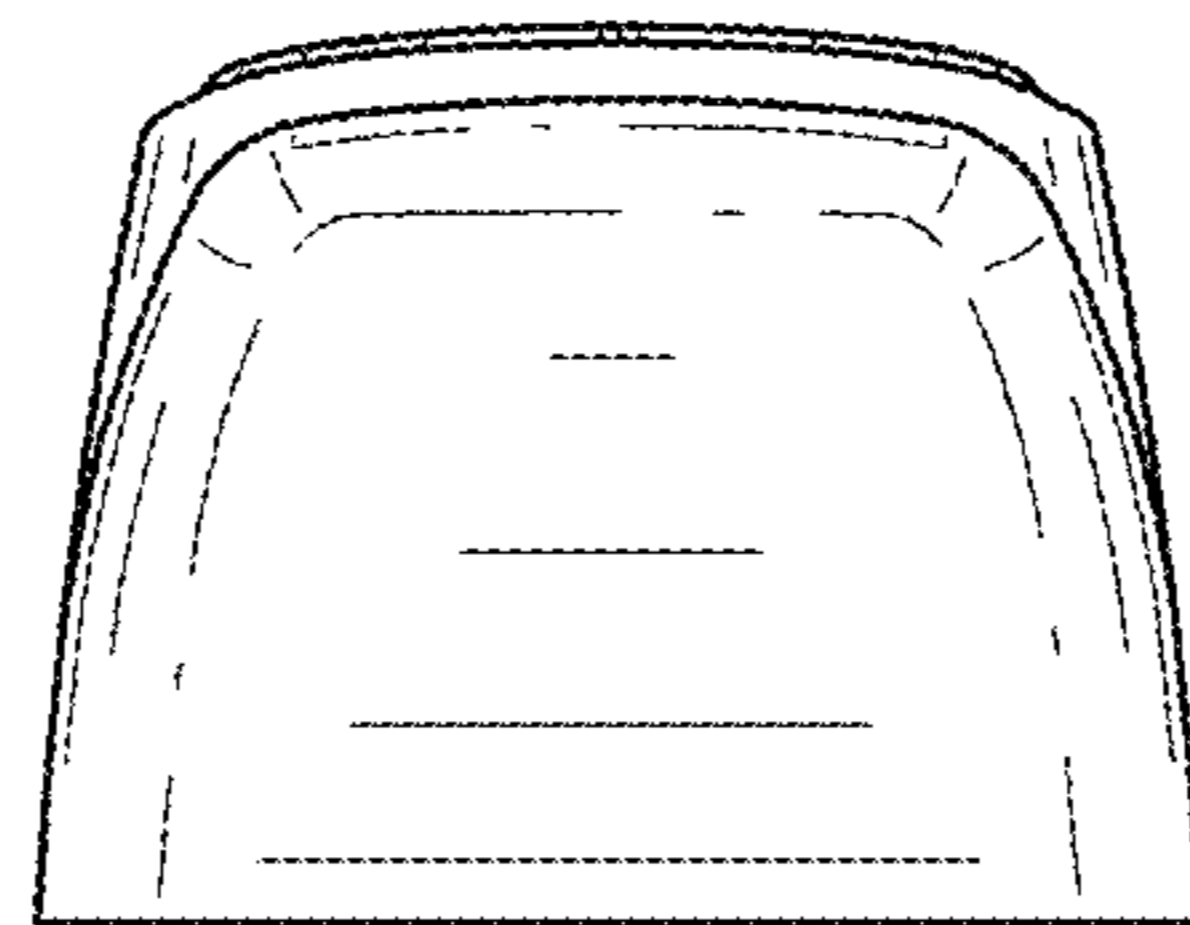


FIG. 4

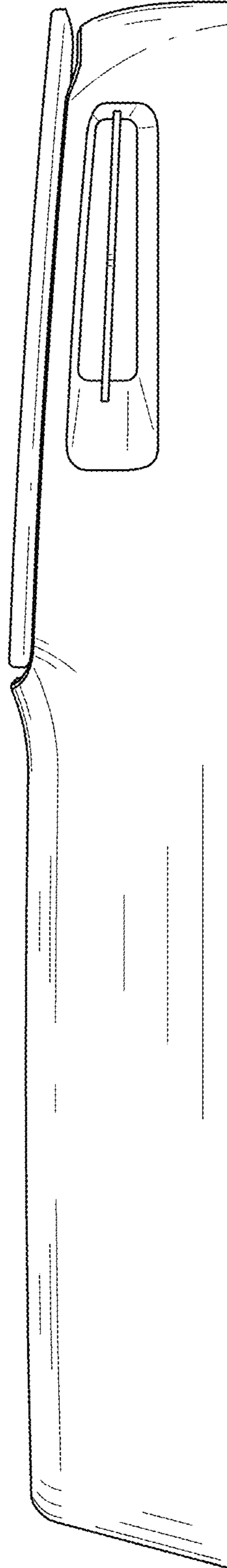


FIG. 5

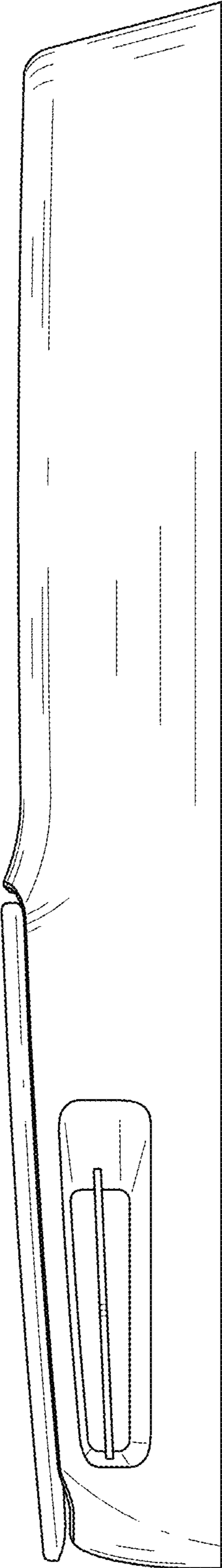


FIG. 6

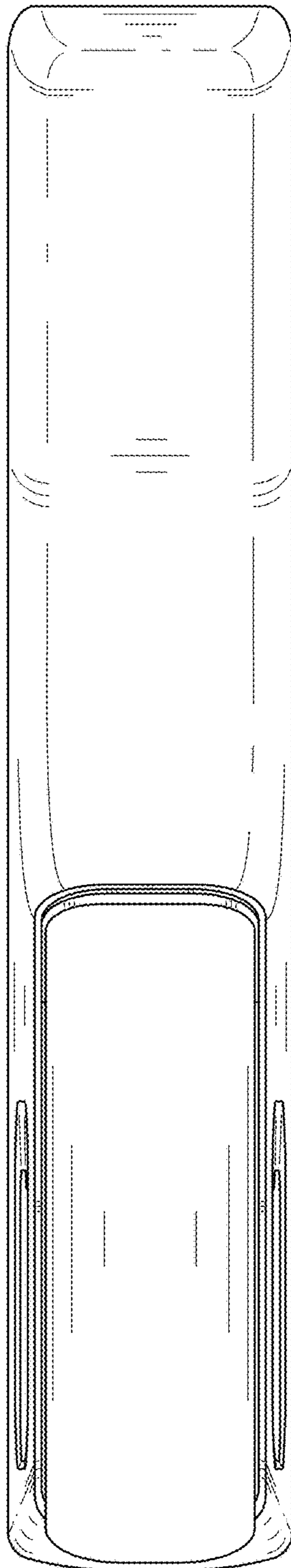


FIG. 7

