



US00D789629S

(12) **United States Design Patent**
Lee

(10) **Patent No.:** **US D789,629 S**
(45) **Date of Patent:** **** Jun. 13, 2017**

(54) **INNER COVER FOR WASHING MACHINE DOOR**

(71) Applicant: **SAMSUNG ELECTRONICS CO., LTD.**, Suwon-si, Gyeonggi-do (KR)

(72) Inventor: **Daekyun Lee**, Suwon-si (KR)

(73) Assignee: **SAMSUNG ELECTRONICS CO., LTD.**, Gyeonggi-Do (KR)

(**) Term: **15 Years**

(21) Appl. No.: **29/561,850**

(22) Filed: **Apr. 20, 2016**

(30) **Foreign Application Priority Data**

Jan. 15, 2016 (KR) 30-2016-0002015

(51) **LOC (10) Cl.** **15-05**

(52) **U.S. Cl.**
USPC **D32/25**

(58) **Field of Classification Search**
USPC D32/1, 5, 6, 8, 10, 25
CPC D06F 33/02; D06F 2204/065; D06F 25/00;
D06F 35/006; D06F 37/28; D06F 39/14;
D06F 58/00; D06F 58/02; D06F 58/04;
D06F 58/20; D06F 23/04; G05B 19/042
See application file for complete search history.

(56) **References Cited**

U.S. PATENT DOCUMENTS

D588,315 S * 3/2009 Geyer D32/25
7,614,162 B2 * 11/2009 Renzo D06F 37/28
34/595
7,694,537 B2 * 4/2010 Ha D06F 39/14
68/196

8,127,464 B2 * 3/2012 Schone D06F 39/14
312/228
8,616,030 B2 * 12/2013 Hoppe D06F 37/28
68/196
D713,610 S * 9/2014 Geyer D32/25
D771,336 S * 11/2016 Kang D32/25
D772,505 S * 11/2016 Bixby D32/25
D772,506 S * 11/2016 Bixby D32/25
D776,376 S * 1/2017 Geyer D32/25

FOREIGN PATENT DOCUMENTS

EM 000279831-0001 12/2004
KR 300702733 S 7/2013

* cited by examiner

Primary Examiner — Michael A. Pratt

Assistant Examiner — Michelle E Wilson

(74) *Attorney, Agent, or Firm* — Cantor Colburn, LLP

(57) **CLAIM**

The ornamental design for an inner cover for washing machine door, as shown and described.

DESCRIPTION

FIG. 1 is a front perspective view of an inner cover for washing machine door showing my new design;
FIG. 2 is a front view thereof;
FIG. 3 is a rear view thereof;
FIG. 4 is a left side view thereof;
FIG. 5 is a right side view thereof;
FIG. 6 is a top view thereof;
FIG. 7 is a bottom view thereof;
FIG. 8 is rear perspective view thereof; and,
FIG. 9 is a cross-sectional view thereof taken along line 9-9 in FIG. 2.

1 Claim, 8 Drawing Sheets

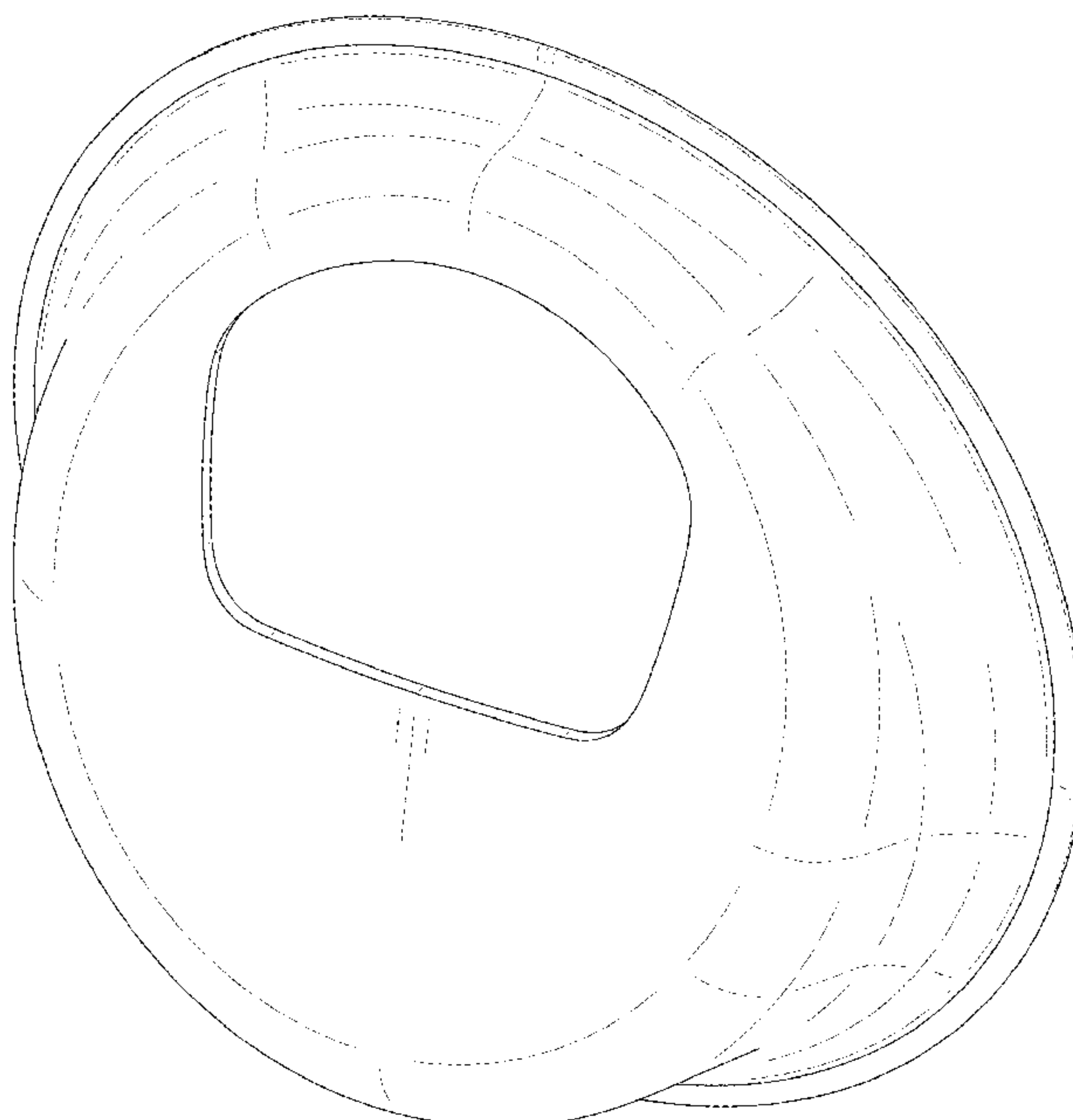


FIG. 1

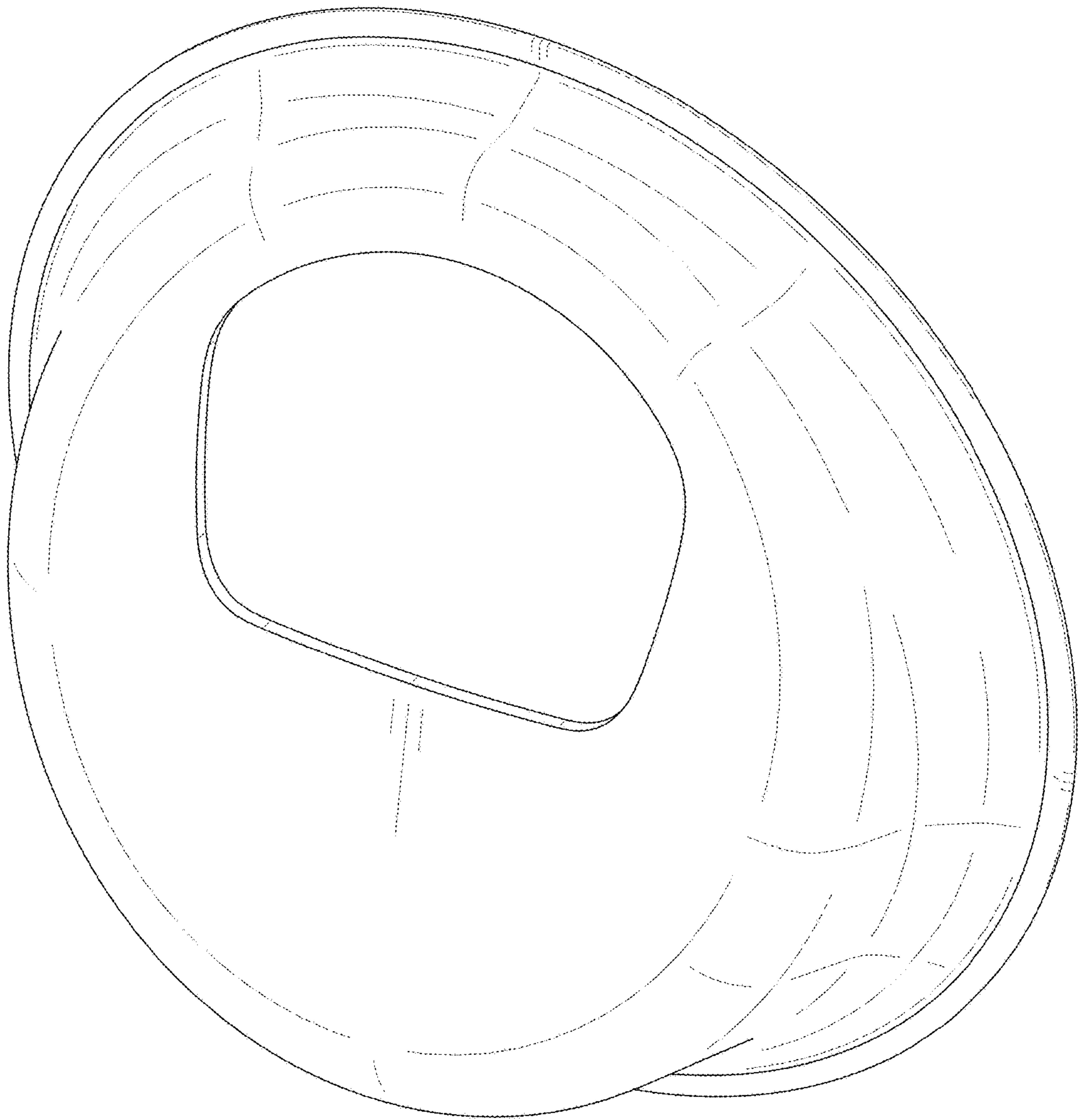


FIG. 2

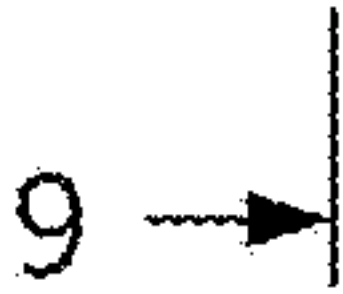
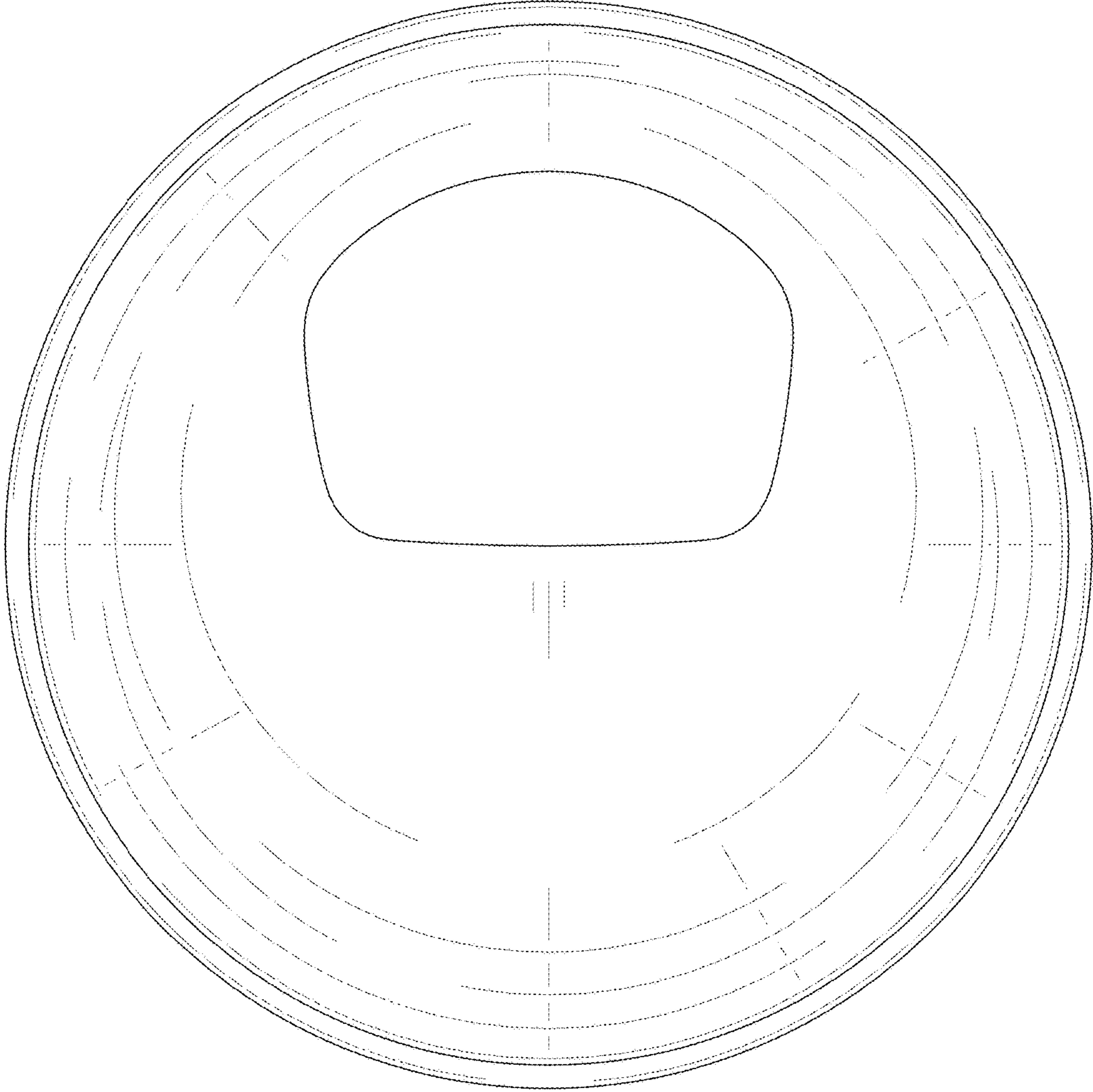
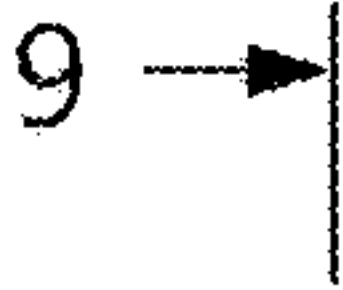


FIG. 3

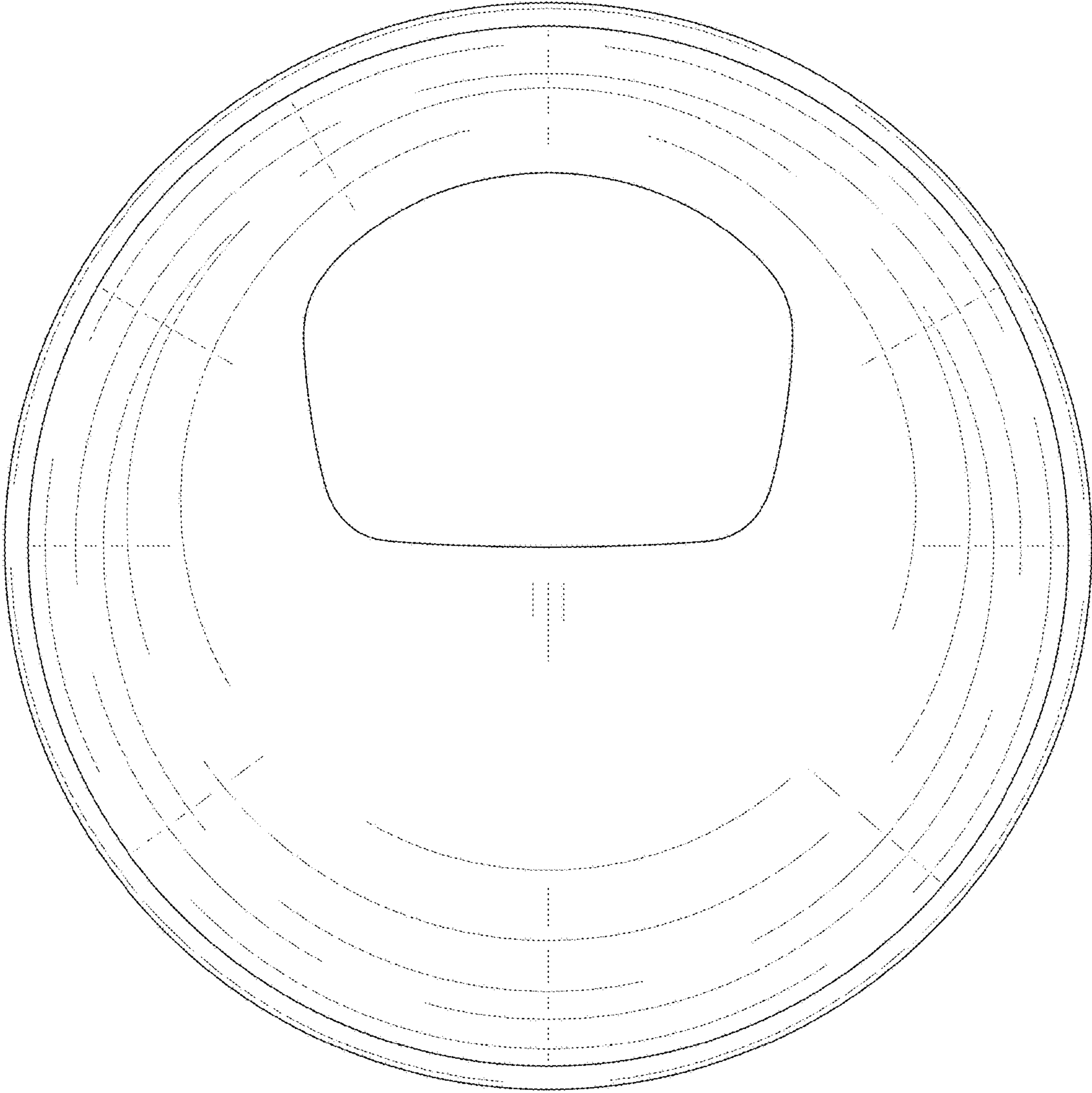


FIG. 4

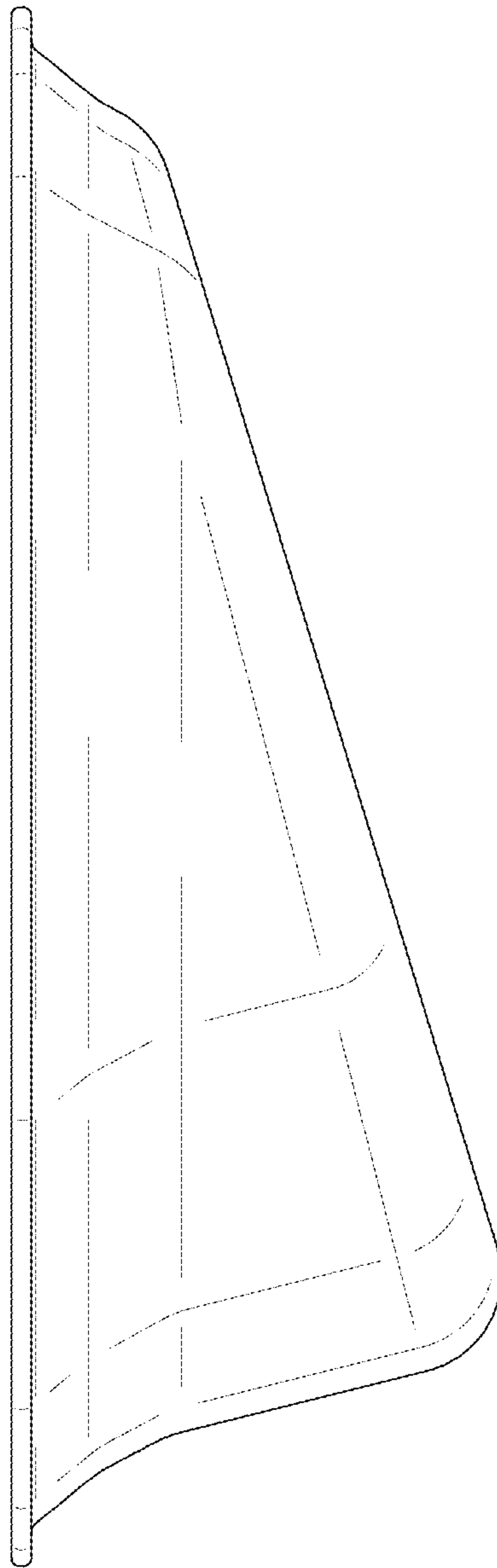


FIG. 5

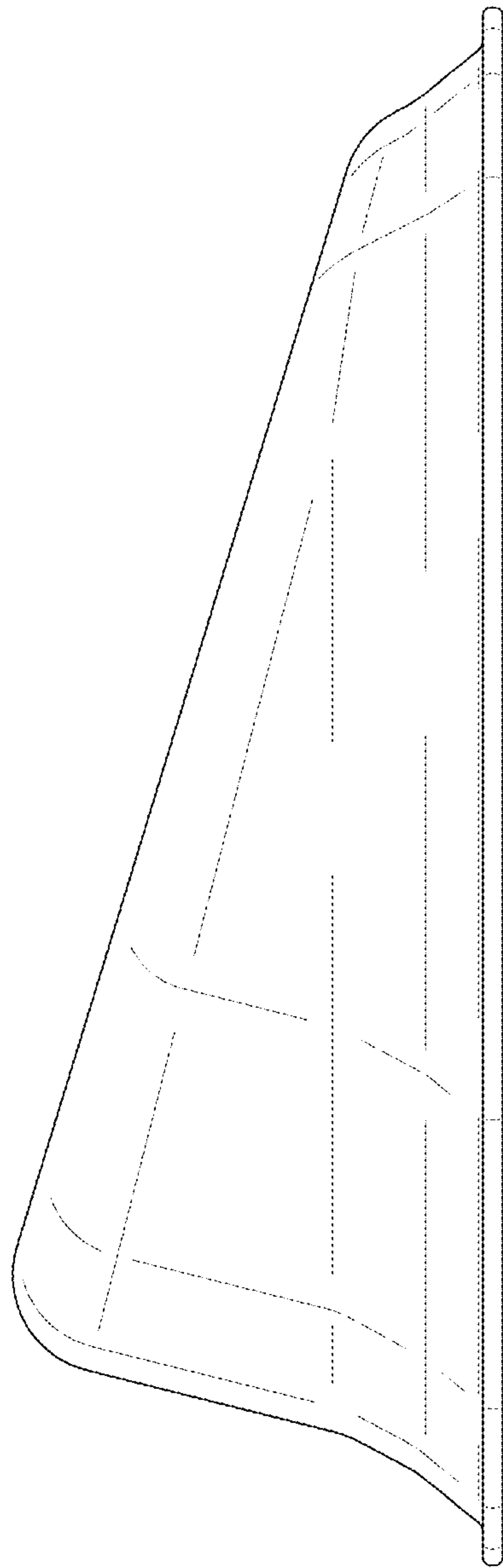


FIG. 6

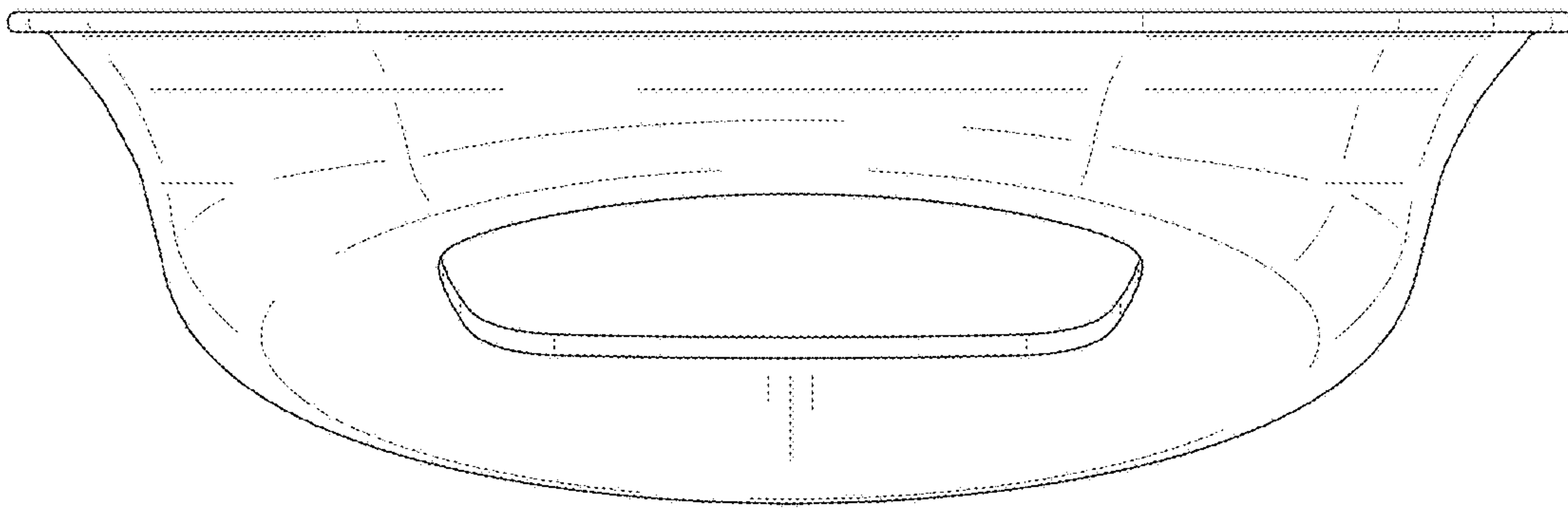


FIG. 7

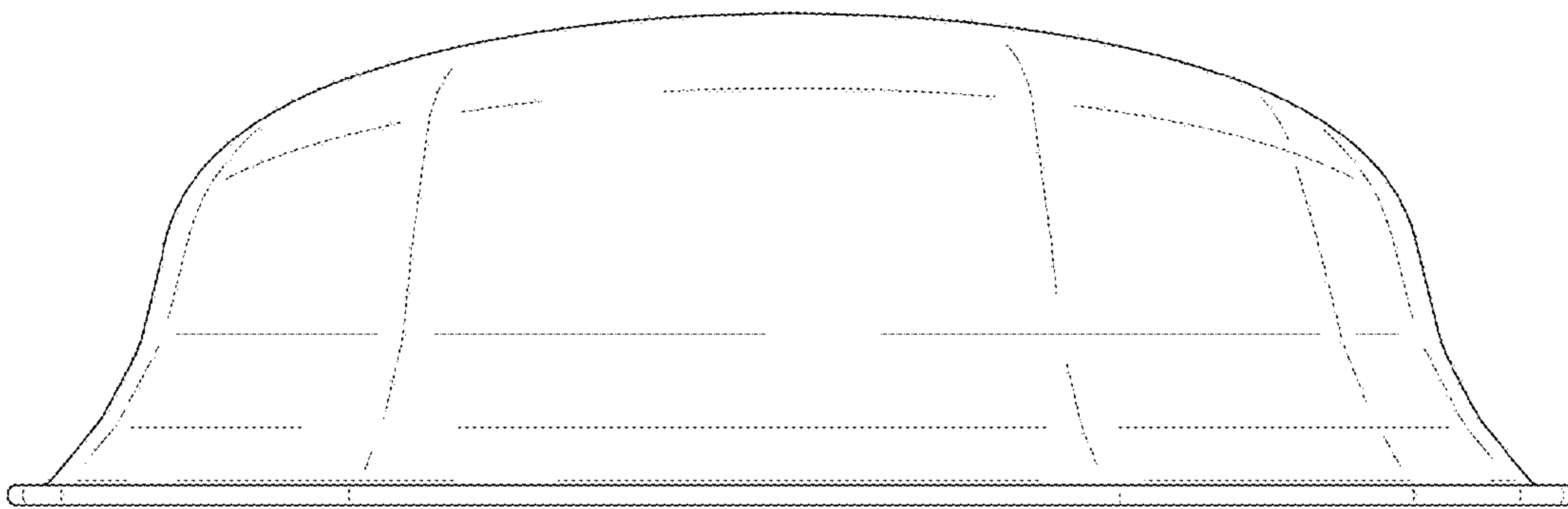


FIG. 8

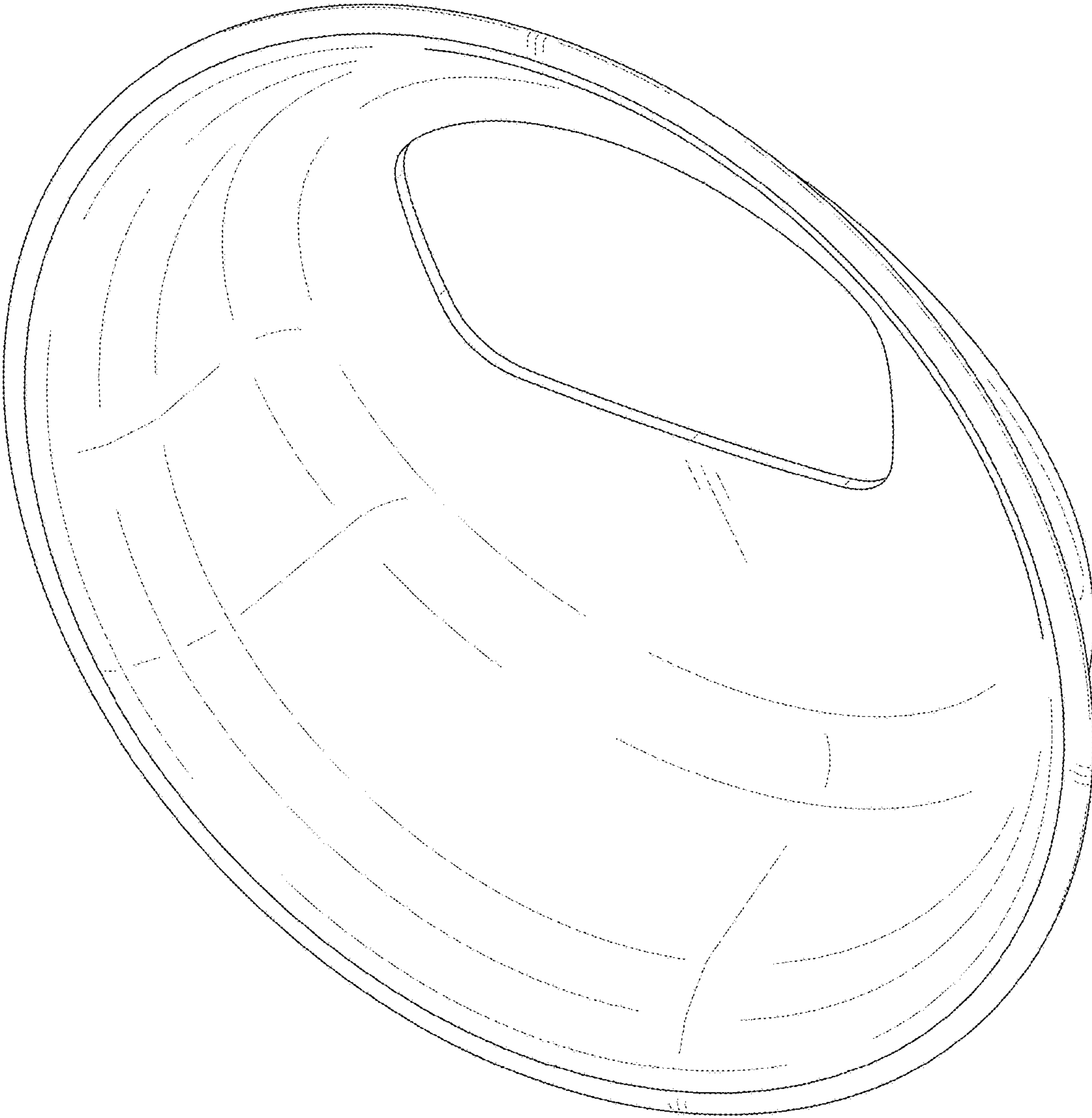


FIG. 9

