



US00D789628S

(12) **United States Design Patent** (10) **Patent No.:** **US D789,628 S**
Kang et al. (45) **Date of Patent:** **** Jun. 13, 2017**

(54) **DOOR FOR WASHING MACHINE**
(71) Applicant: **Samsung Electronics Co., Ltd.**,
Suwon-si (KR)
(72) Inventors: **Yoonjong Kang**, Seoul (KR); **Yuna Park**, Seoul (KR)
(73) Assignee: **Samsung Electronics Co., Ltd.**,
Suwon-si (KR)

D759,915 S * 6/2016 Choi D32/25
D761,506 S * 7/2016 Choi D32/25
D762,025 S * 7/2016 Joo D32/6
D762,027 S * 7/2016 Choi D32/25
D764,120 S * 8/2016 Choi D32/6
D771,335 S * 11/2016 Yoon D32/25
D772,504 S * 11/2016 Kang D32/25
2007/0113595 A1 * 5/2007 Harwood D06F 33/02
68/12.01
2013/0239626 A1 * 9/2013 Ekbundit D06F 39/12
68/3 R

(Continued)

(**) Term: **15 Years**

FOREIGN PATENT DOCUMENTS

(21) Appl. No.: **29/552,101**

EM 000459938-0007 6/2008
KR 30-2014-0063064 6/2015

(22) Filed: **Jan. 20, 2016**

Primary Examiner — Michael A. Pratt

(30) **Foreign Application Priority Data**

Assistant Examiner — Michelle E Wilson

Jul. 21, 2015 (KR) 30-2015-0036773

(74) *Attorney, Agent, or Firm* — NSIP Law

(51) **LOC (10) Cl.** **15-05**

(57) **CLAIM**

(52) **U.S. Cl.**

We claim the ornamental design for a door for washing machine, as shown and described.

USPC **D32/25**

(58) **Field of Classification Search**

DESCRIPTION

USPC D32/1, 5, 6, 8, 10, 25, 28
CPC D06F 3/02; D06F 2204/065; D06F 25/00;
D06F 35/006; D06F 37/28; D06F 39/14;
D06F 58/00; D06F 58/02; D06F 58/04;
D06F 58/20; D06F 23/04; G05B 19/042
See application file for complete search history.

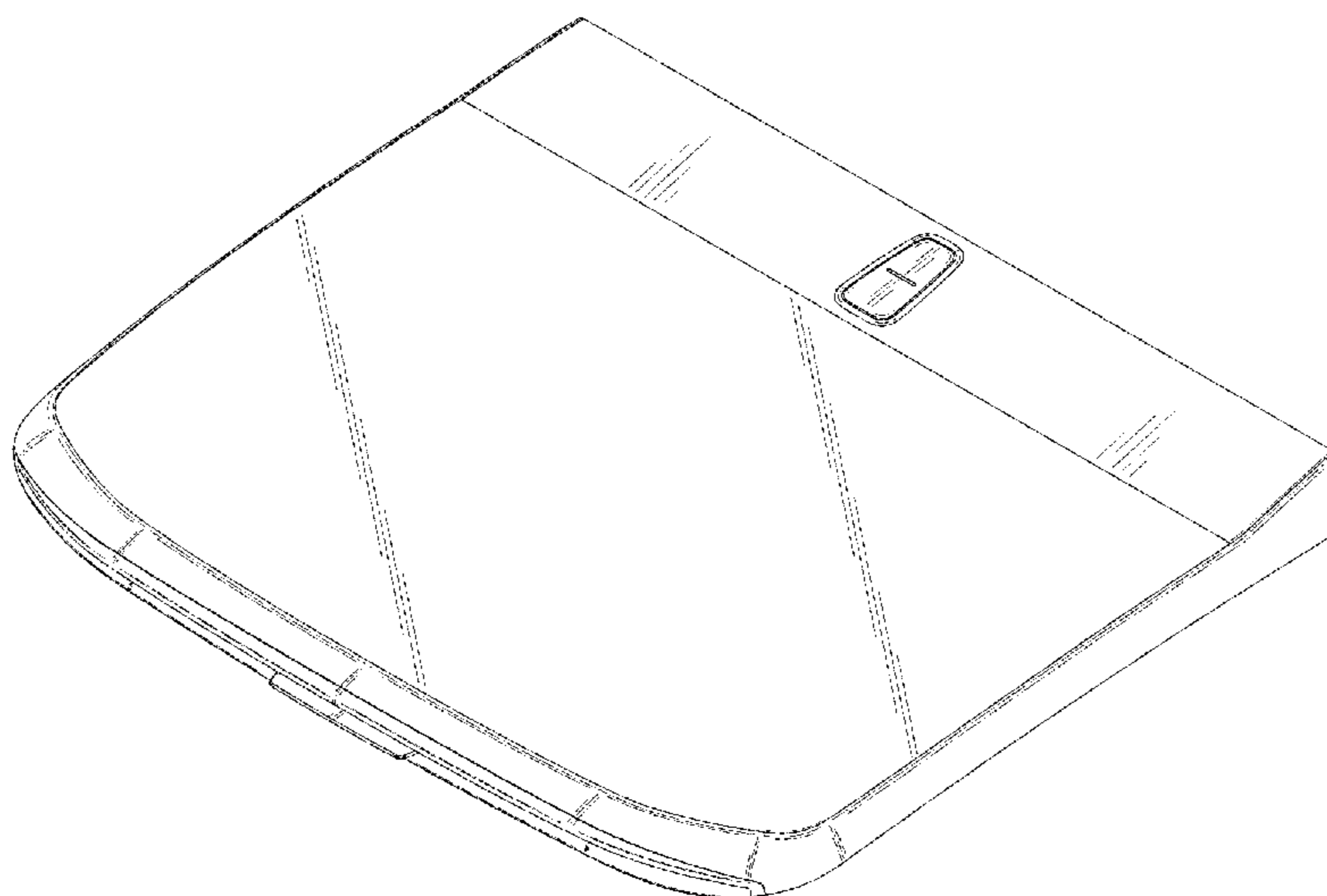
FIG. 1 is a front perspective view of a door for washing machine showing our new design;
FIG. 2 is a front view thereof;
FIG. 3 is a rear view thereof;
FIG. 4 is a left-side view thereof;
FIG. 5 is a right-side view thereof;
FIG. 6 is a top view thereof;
FIG. 7 is a bottom view thereof;
FIG. 8 is a rear perspective view thereof; and,
FIG. 9 is another front perspective view of the door for washing machine in which a washing machine is provided in broken lines to illustrate an example environment.
The broken lines in the figures show portions of the door for washing machine which form no part of the claimed design.

(56) **References Cited**

U.S. PATENT DOCUMENTS

D489,496 S 5/2004 Sneddon
D620,656 S * 7/2010 Bixby D32/25
D697,680 S * 1/2014 Hwang D32/25
D709,657 S * 7/2014 Shin D32/25
D711,605 S * 8/2014 Jo D32/25
D729,995 S * 5/2015 Song D32/6
D730,594 S * 5/2015 Kang D32/6
D744,177 S * 11/2015 Jung D32/6

1 Claim, 9 Drawing Sheets



(56)

References Cited

U.S. PATENT DOCUMENTS

2015/0345069 A1 * 12/2015 Leibman D06F 39/022
68/17 R

* cited by examiner

FIG. 1

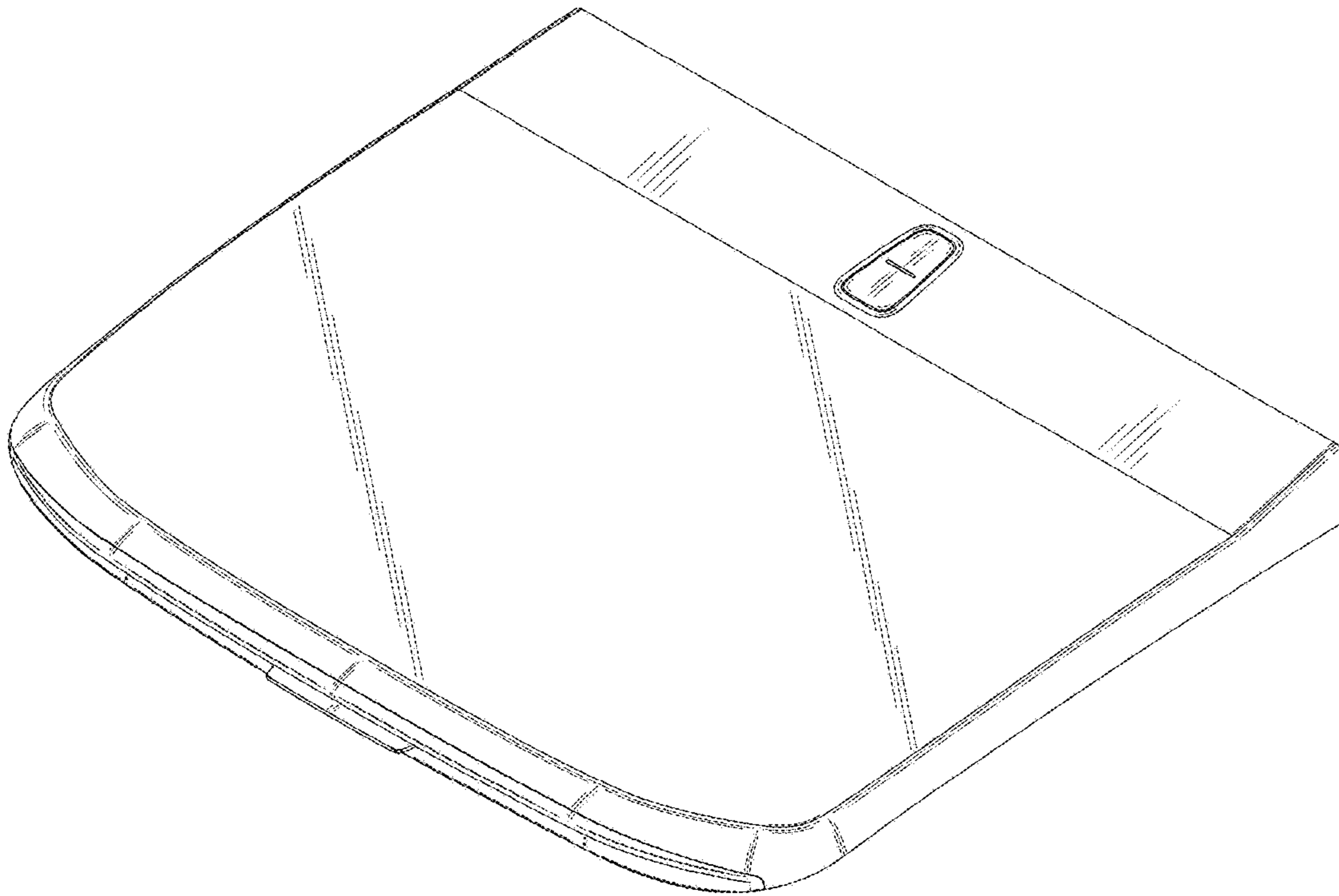


FIG. 2

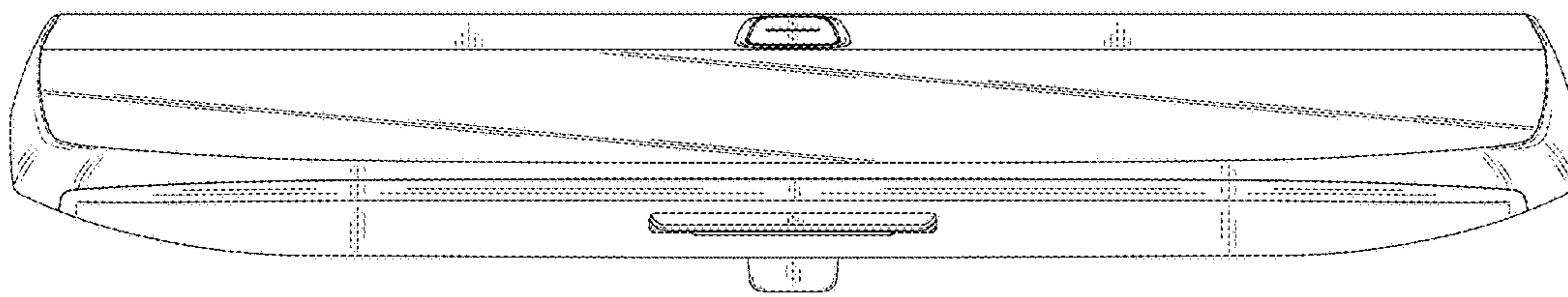


FIG. 3

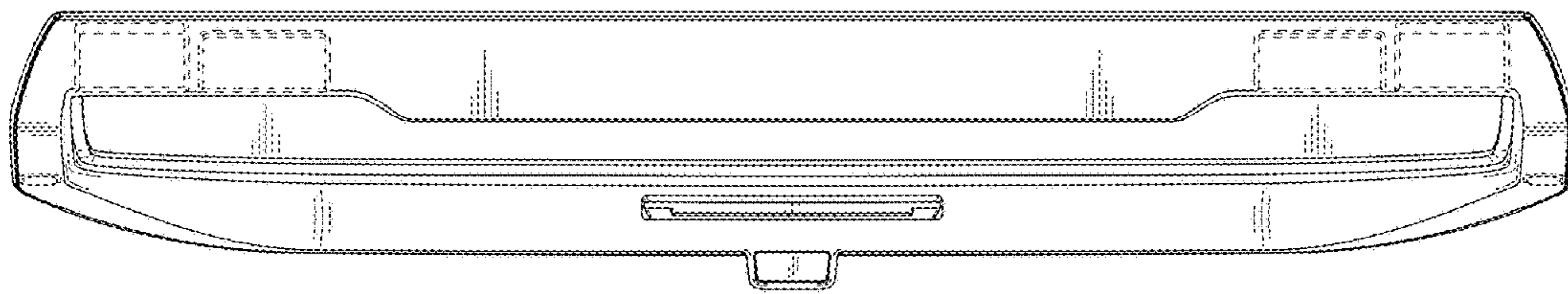


FIG. 4

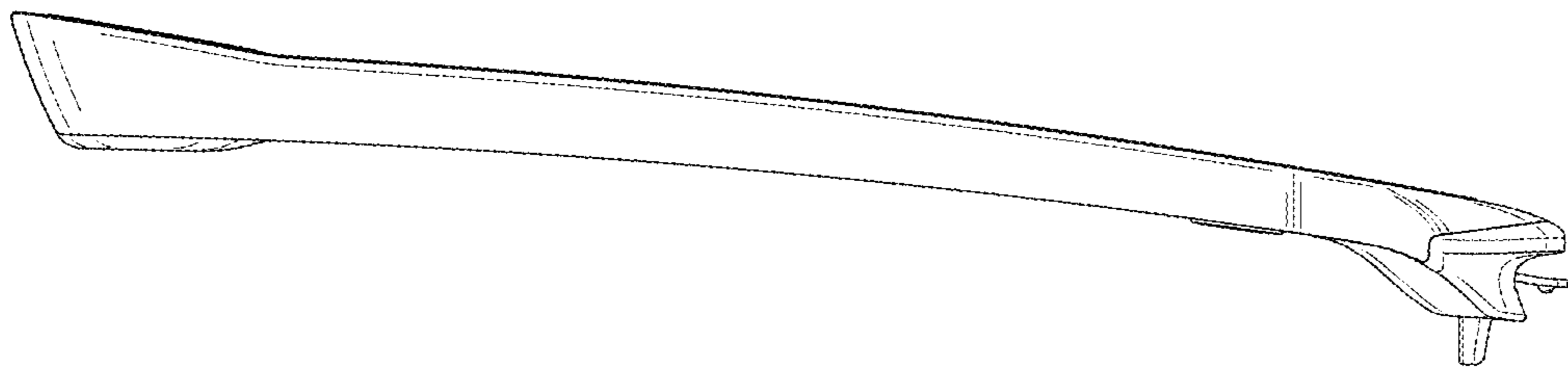


FIG. 5

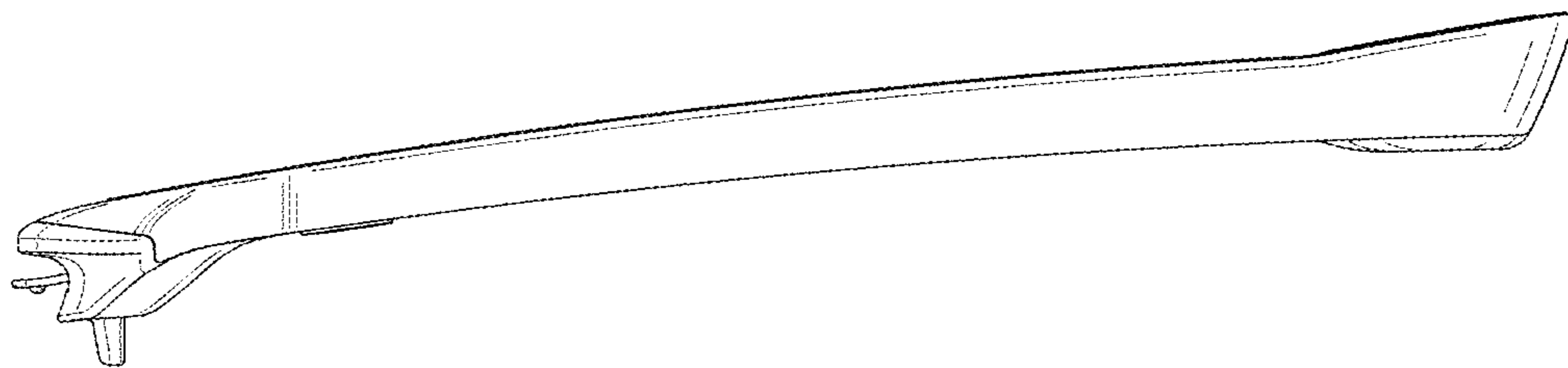


FIG. 6

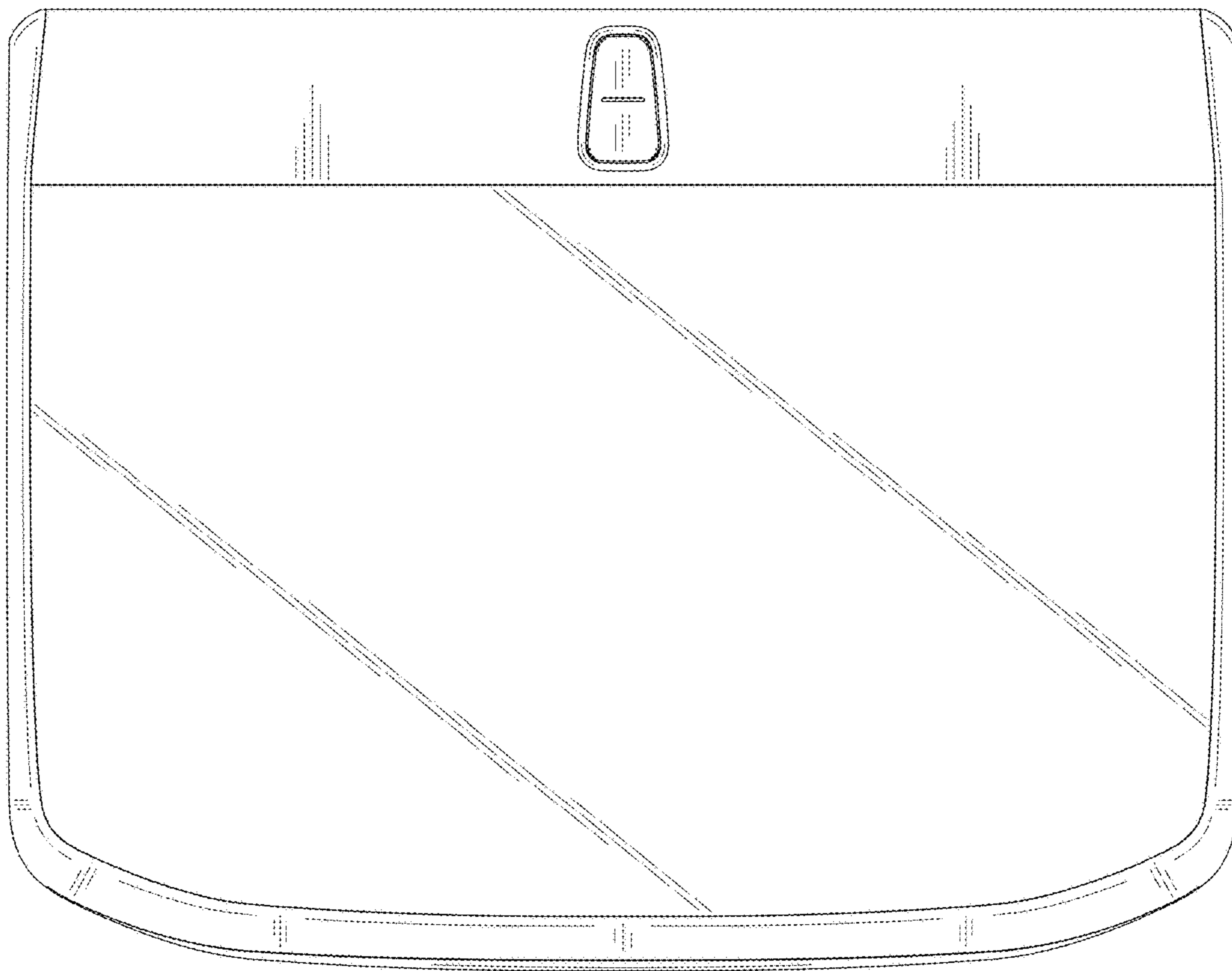


FIG. 7

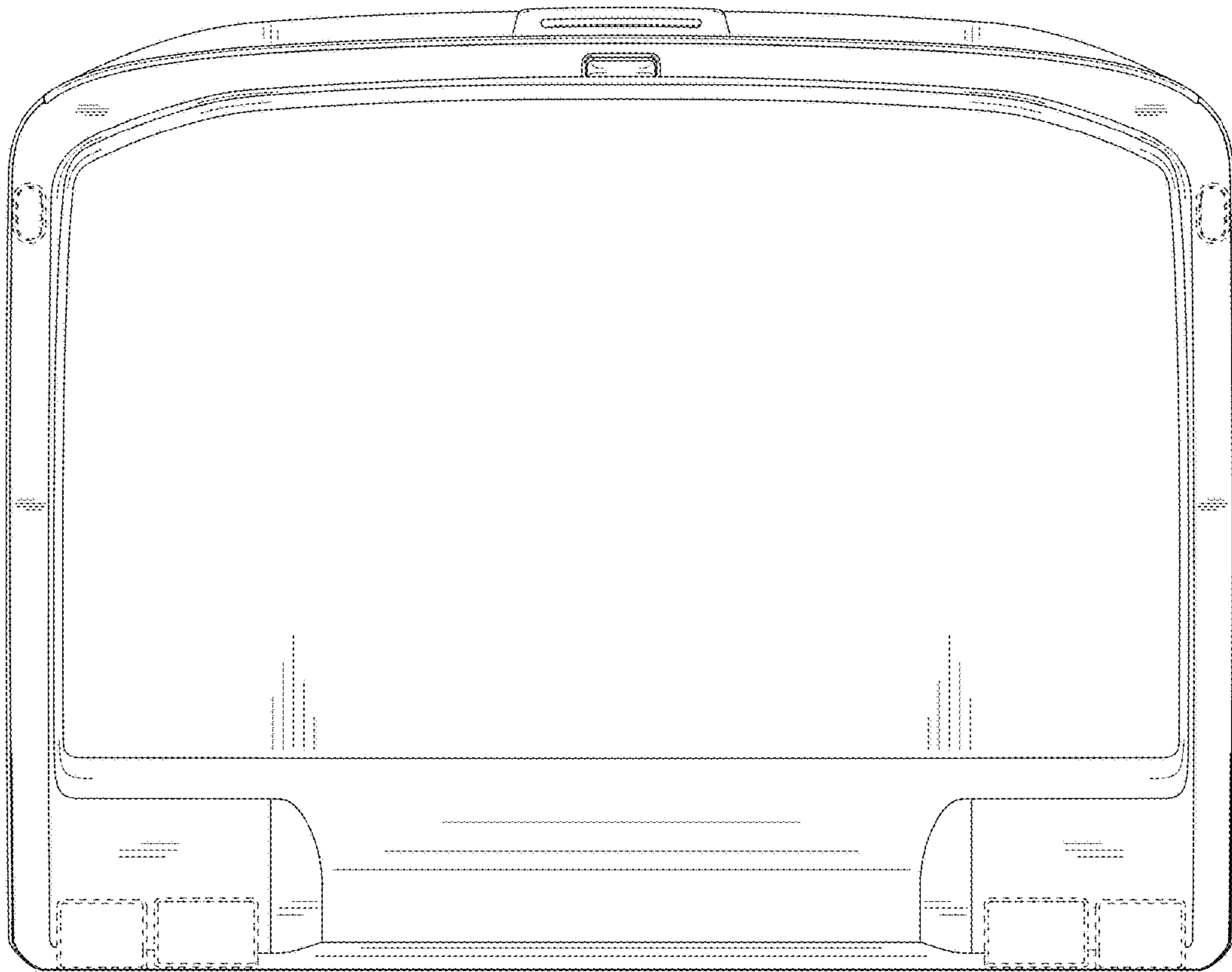


FIG. 8

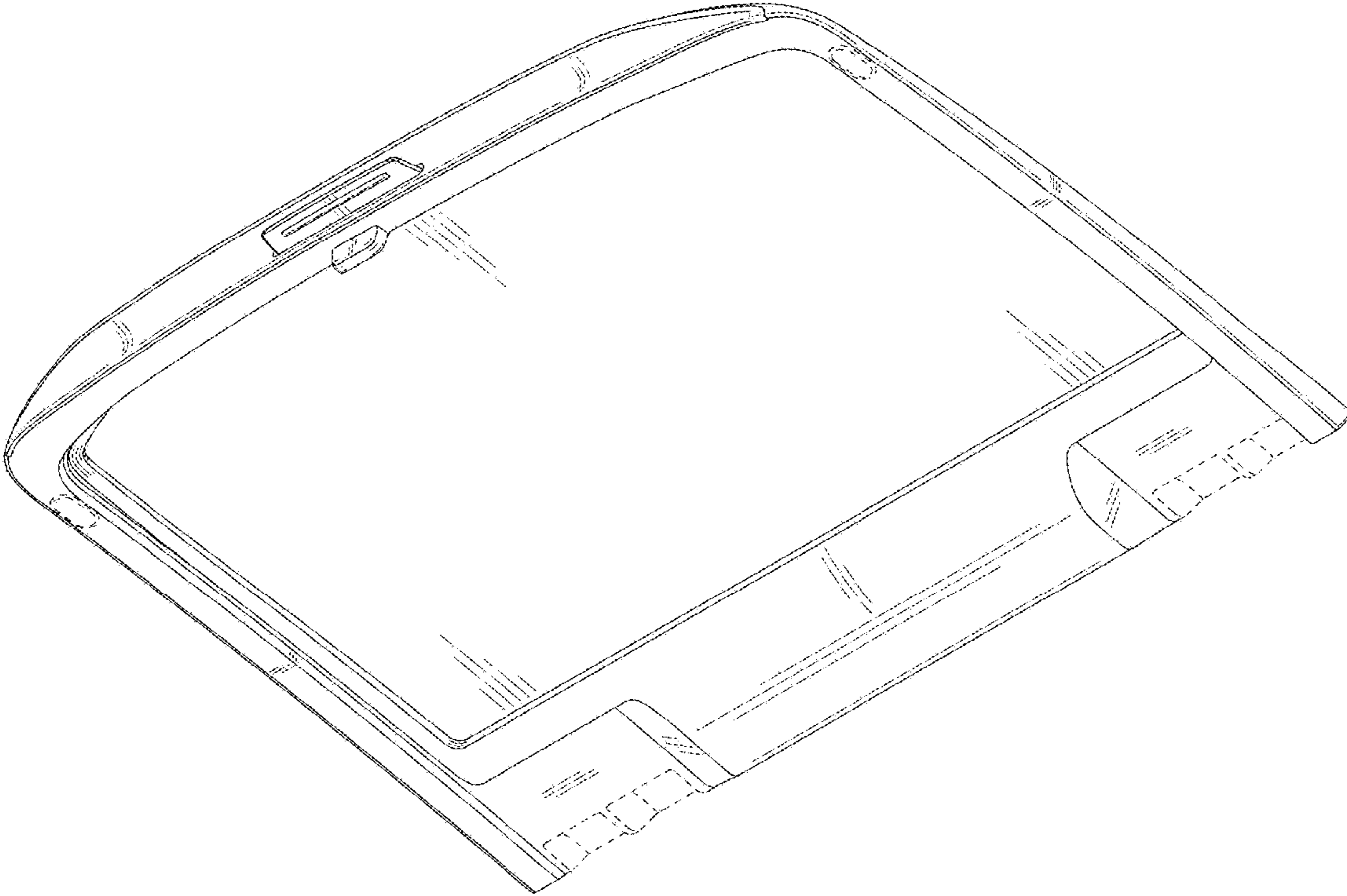


FIG. 9

