



US00D789626S

(12) **United States Design Patent**
Bloemendaal

(10) **Patent No.:** **US D789,626 S**

(45) **Date of Patent:** **** Jun. 13, 2017**

(54) **VACUUM CLEANER**

(71) Applicant: **BISSELL Homecare, Inc.**, Grand Rapids, MI (US)

(72) Inventor: **Colin J. Bloemendaal**, Grand Rapids, MI (US)

(73) Assignee: **BISSELL Homecare, Inc.**, Grand Rapids, MI (US)

(**) Term: **15 Years**

(21) Appl. No.: **29/545,543**

(22) Filed: **Nov. 13, 2015**

(51) **LOC (10) Cl.** **15-05**

(52) **U.S. Cl.**
USPC **D32/22**

(58) **Field of Classification Search**
USPC D32/17-18, 22, 31, 34, 45, 50-51;
D8/374, 323, 325
CPC A47L 5/24; A47L 5/28; A47L 5/34; A47L
7/0038; A47L 9/325; A47L 9/02; A47L
11/34; A47L 11/4086; A47L 13/26; A47L
13/225; A47L 13/22; B08B 9/0323; A23C
3/031

See application file for complete search history.

(56) **References Cited**

U.S. PATENT DOCUMENTS

D462,813 S * 9/2002 Nakano D32/22
D510,465 S * 10/2005 Takahashi D32/22

D537,584 S * 2/2007 Greene D32/22
D553,814 S * 10/2007 Parr D32/22
D610,318 S * 2/2010 Shin D32/22
D728,878 S * 5/2015 Johnson D32/31
D730,001 S * 5/2015 Yun D32/22
D740,505 S * 10/2015 Gidwell D32/31

* cited by examiner

Primary Examiner — Ruth McInroy

(74) *Attorney, Agent, or Firm* — McGarry Bair PC

(57) **CLAIM**

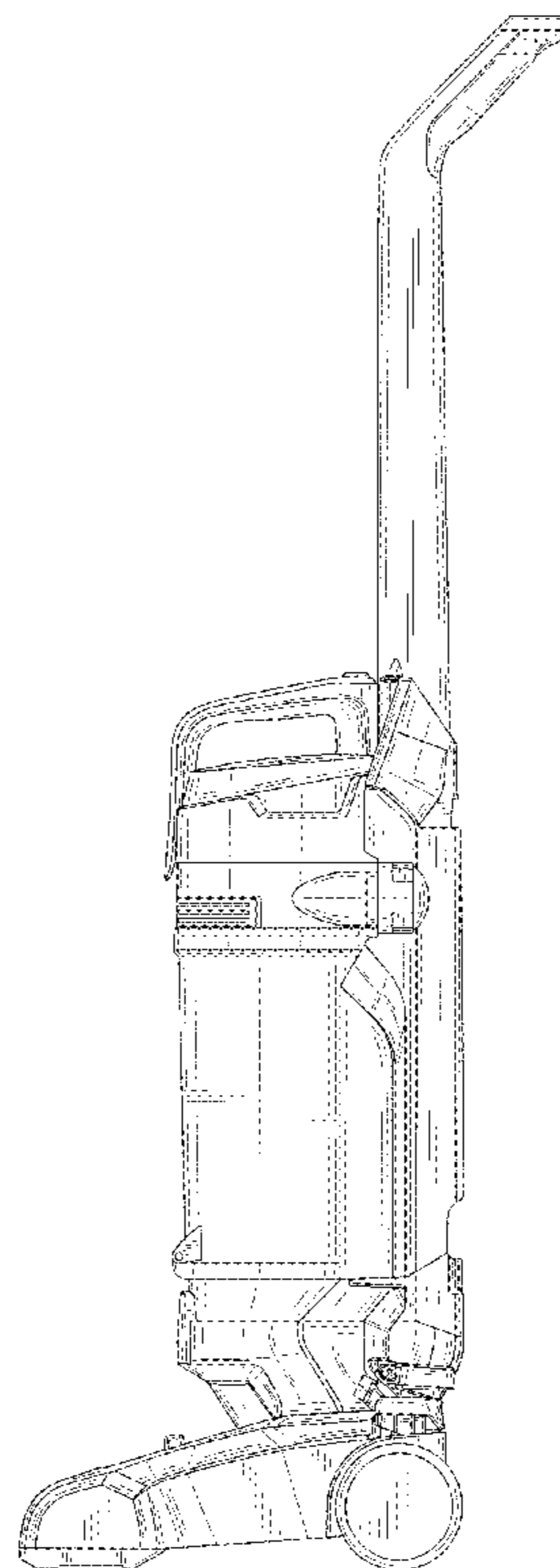
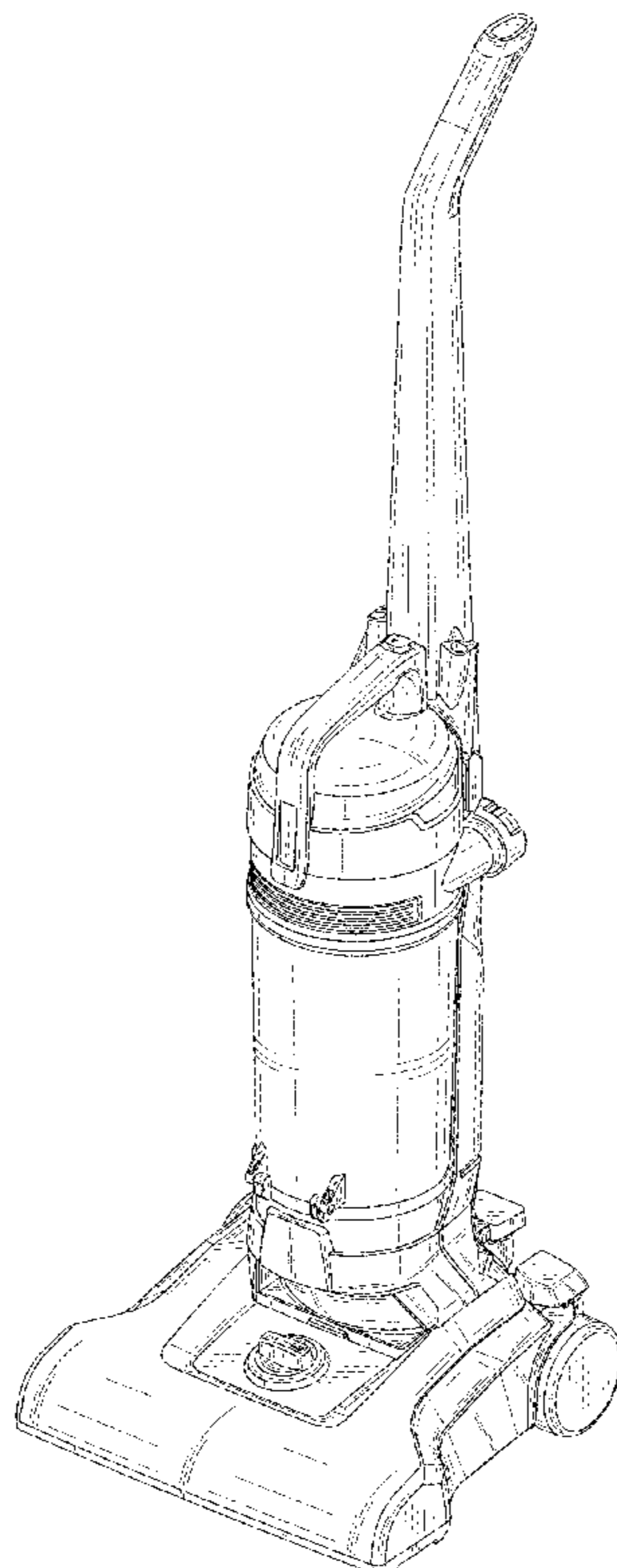
The ornamental design for a vacuum cleaner, as shown and described.

DESCRIPTION

FIG. 1 is a front and right-side perspective view of a vacuum cleaner showing my new design;
FIG. 2 is a front view thereof;
FIG. 3 is a rear view thereof;
FIG. 4 is a left side view thereof;
FIG. 5 is a right side view thereof; and,
FIG. 6 is a top view thereof.

The broken lines are shown for the purpose of illustrating unclaimed portions of the vacuum cleaner and form no part of the claimed design.

1 Claim, 6 Drawing Sheets



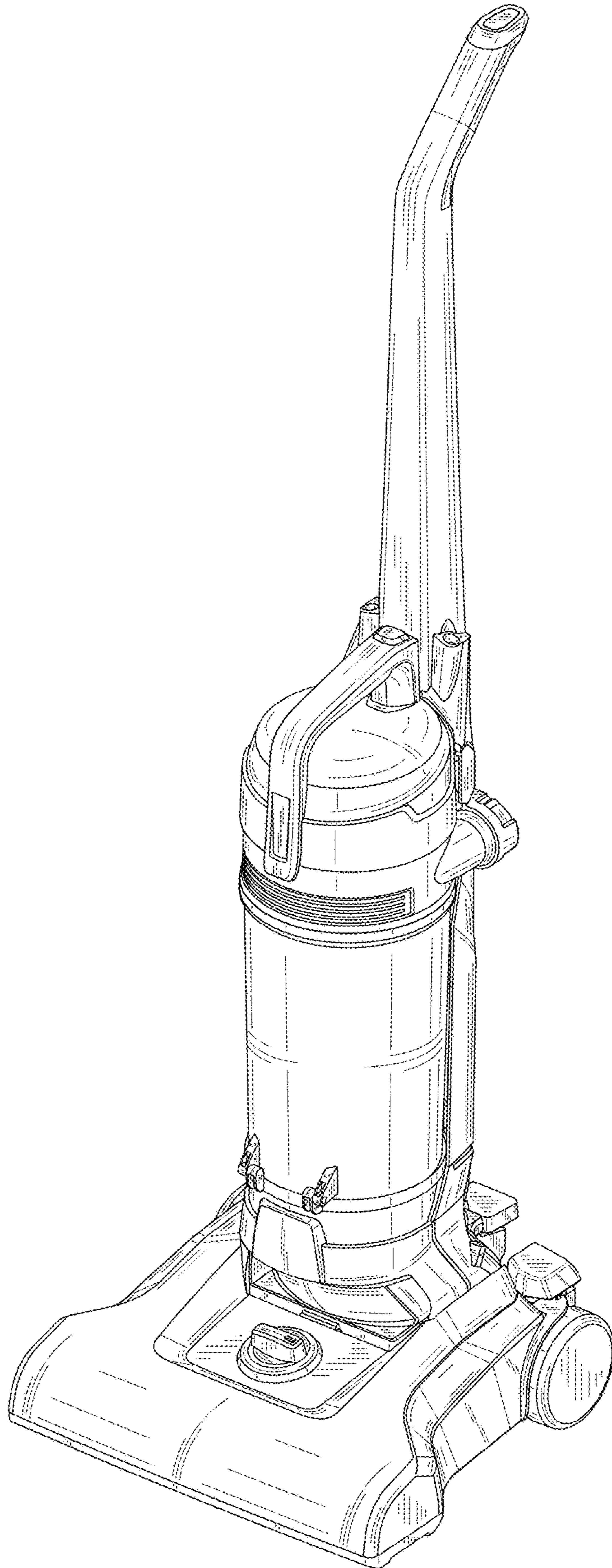


FIG. 1

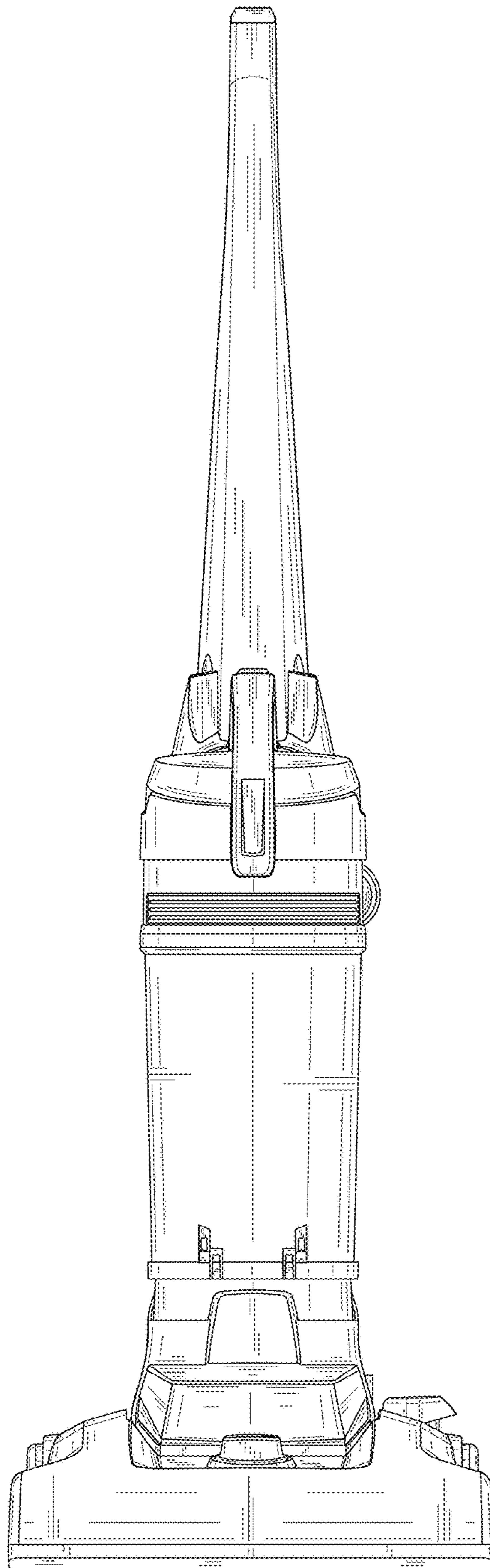


FIG. 2

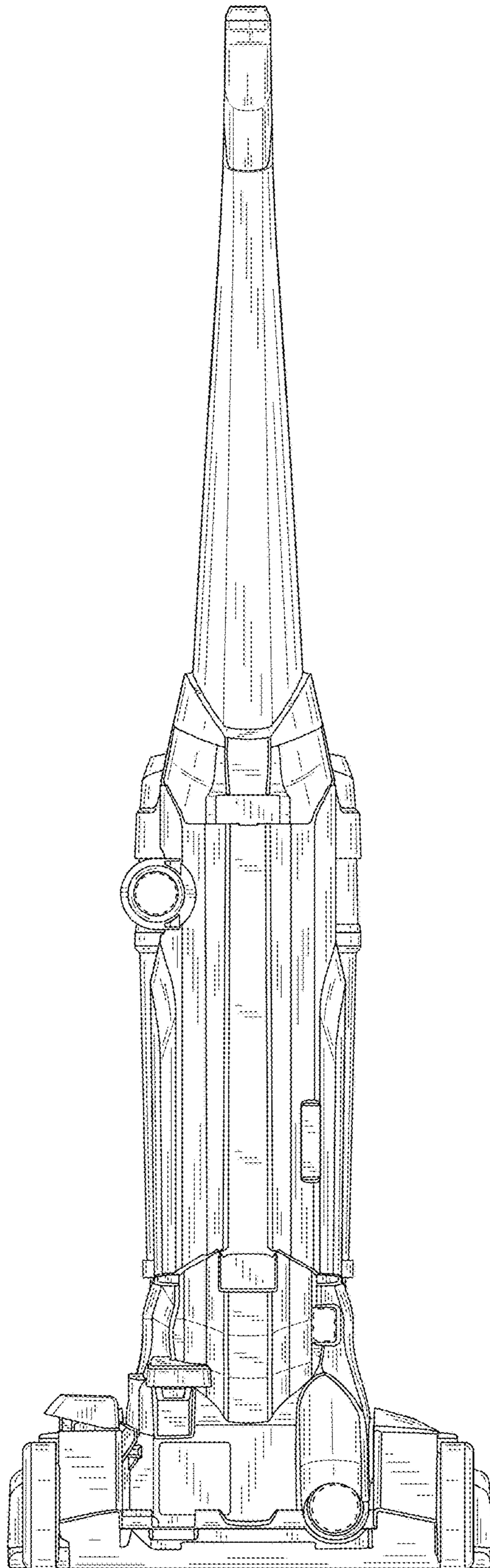


FIG. 3

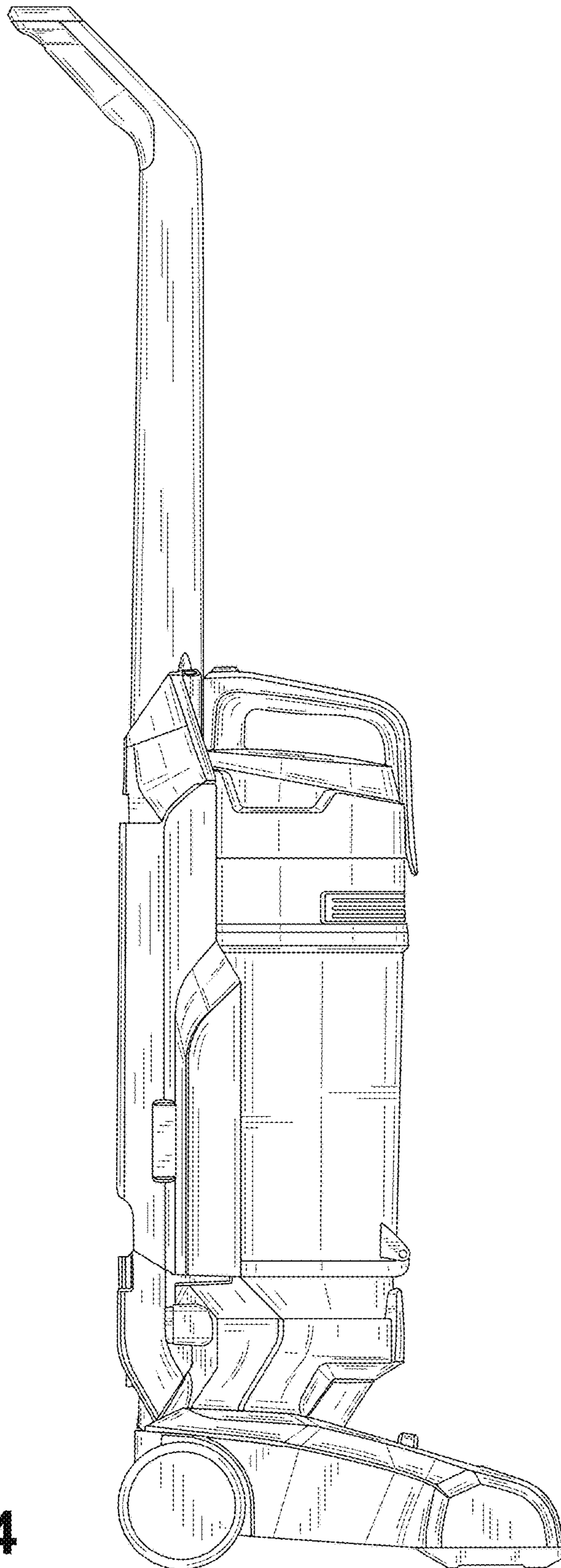


FIG. 4

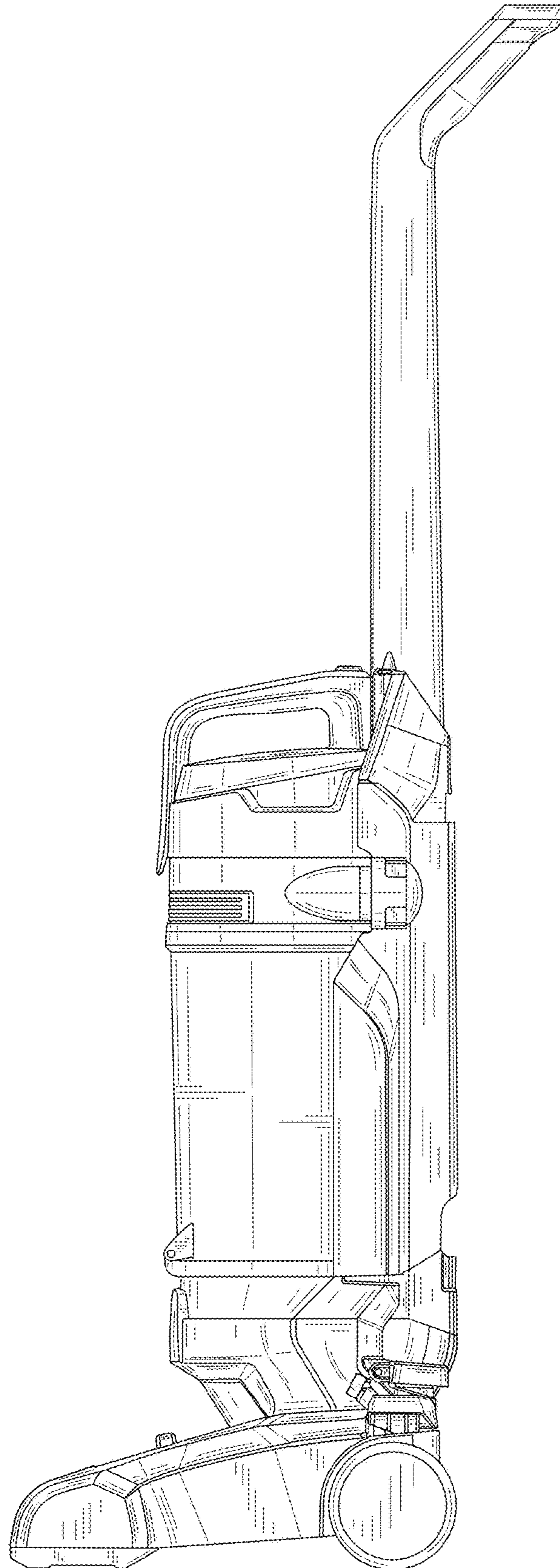


FIG. 5

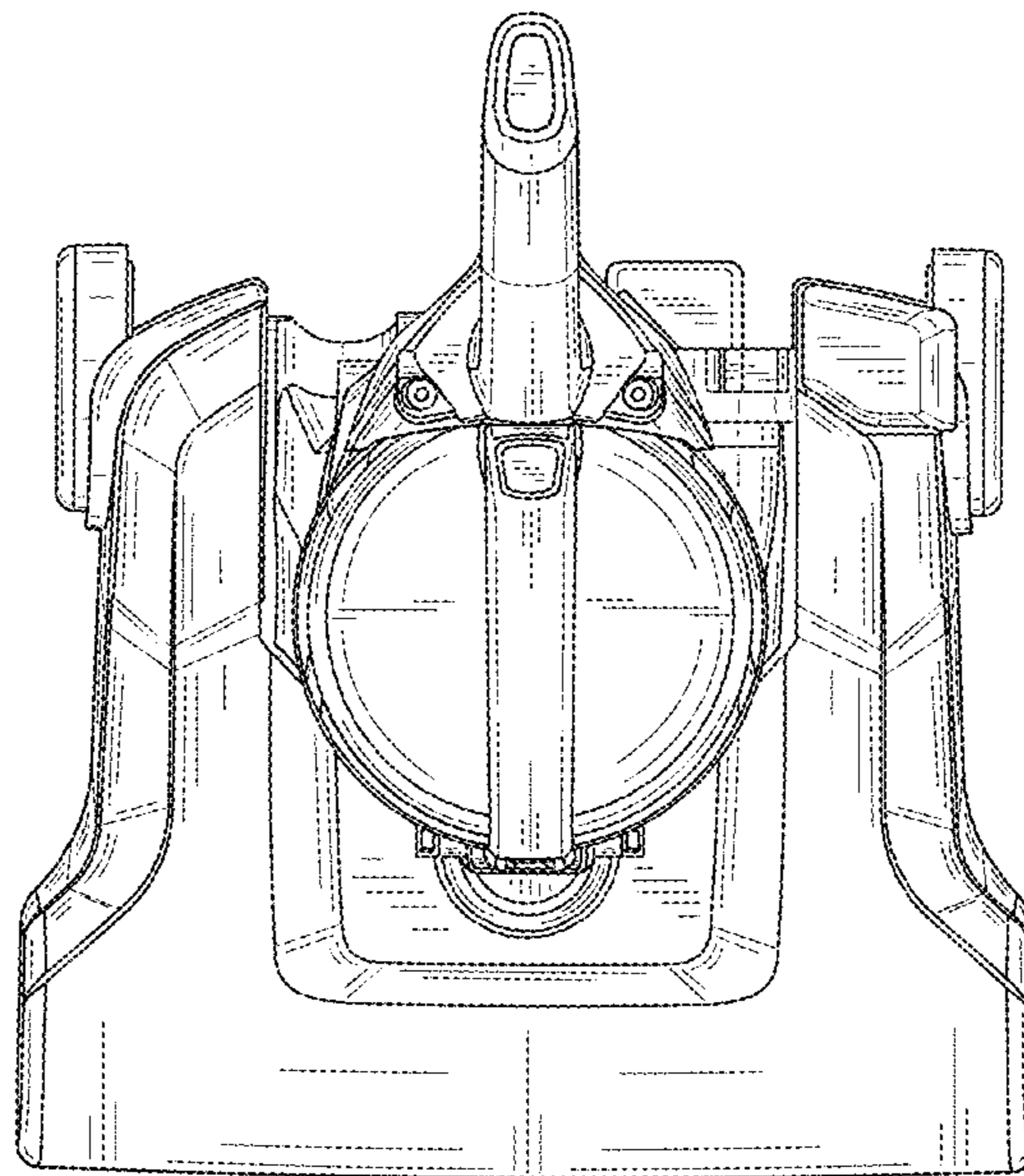


FIG. 6