



US00D789623S

(12) **United States Design Patent**  
**Park et al.**

(10) **Patent No.:** **US D789,623 S**  
(45) **Date of Patent:** **\*\* Jun. 13, 2017**

(54) **WASHING MACHINE**  
(71) Applicant: **Samsung Electronics Co., Ltd.,**  
Suwon-si (KR)  
(72) Inventors: **Jungeun Park, Seoul (KR); Yoonjong**  
**Kang, Seoul (KR)**  
(73) Assignee: **Samsung Electronics Co., Ltd.,**  
Suwon-si (KR)  
(\*\*) Term: **15 Years**  
(21) Appl. No.: **29/550,515**  
(22) Filed: **Jan. 5, 2016**  
(30) **Foreign Application Priority Data**

Jul. 17, 2015 (KR) ..... 30-2015-0036140

(51) **LOC (10) Cl.** ..... **15-05**  
(52) **U.S. Cl.**  
USPC ..... **D32/6**

(58) **Field of Classification Search**  
USPC ..... D32/1, 5, 6, 8, 10, 11, 25, 29; D6/349,  
D6/352, 559, 560; D3/273, 297, 307;  
D14/485, 488, 489; 312/228; 68/27, 11,  
68/38, 20, 3 R  
CPC ..... D06F 17/04; D06F 37/02; D06F 37/08;  
D06F 37/12; D06F 37/145; D06F 39/14;  
D06F 39/00; D06F 39/08; D06F 31/00;  
B08B 3/12  
See application file for complete search history.

(56) **References Cited**  
**U.S. PATENT DOCUMENTS**

4,763,493 A \* 8/1988 Nishite ..... D06F 39/005  
340/286.13  
D541,492 S \* 4/2007 Nam ..... D32/6  
7,428,445 B2 \* 9/2008 Lee ..... D06F 39/005  
68/12.01

7,905,120 B2 \* 3/2011 Mamiya ..... D06F 25/00  
68/5 C  
8,024,948 B2 \* 9/2011 Kitamura ..... D06F 25/00  
68/18 F  
8,240,175 B2 \* 8/2012 Kim ..... D06F 39/005  
312/228.1  
D689,515 S \* 9/2013 Yang ..... D14/489  
D713,850 S \* 9/2014 Jiyeon ..... D14/485  
D730,596 S \* 5/2015 Kim ..... D32/6  
D735,424 S \* 7/2015 Ha ..... D32/6  
D739,097 S \* 9/2015 Qin ..... D32/6  
D746,521 S \* 12/2015 Ha ..... D32/6  
D748,355 S \* 1/2016 Sim ..... D32/6  
D777,772 S \* 1/2017 Zhang ..... D14/488

\* cited by examiner

*Primary Examiner* — Susan Bennett Hattan  
*Assistant Examiner* — Rebecca Tsehaye  
(74) *Attorney, Agent, or Firm* — NSIP Law

(57) **CLAIM**

We claim the ornamental design for a washing machine, as shown and described.

**DESCRIPTION**

FIG. 1 is a front perspective view of a washing machine showing our new design;  
FIG. 2 is a front view thereof;  
FIG. 3 is a rear view thereof;  
FIG. 4 is a left-side view thereof;  
FIG. 5 is a right-side view thereof;  
FIG. 6 is a top view thereof;  
FIG. 7 is a bottom view thereof; and,  
FIG. 8 is an enlarged view of the encircled portion in FIG. 1.  
The broken lines in the figures show portions of the washing machine which form no part of the claimed design.  
The dot-dash broken lines encircling portions of the claimed design that are illustrated in enlargements form no part of the claimed design.

**1 Claim, 8 Drawing Sheets**

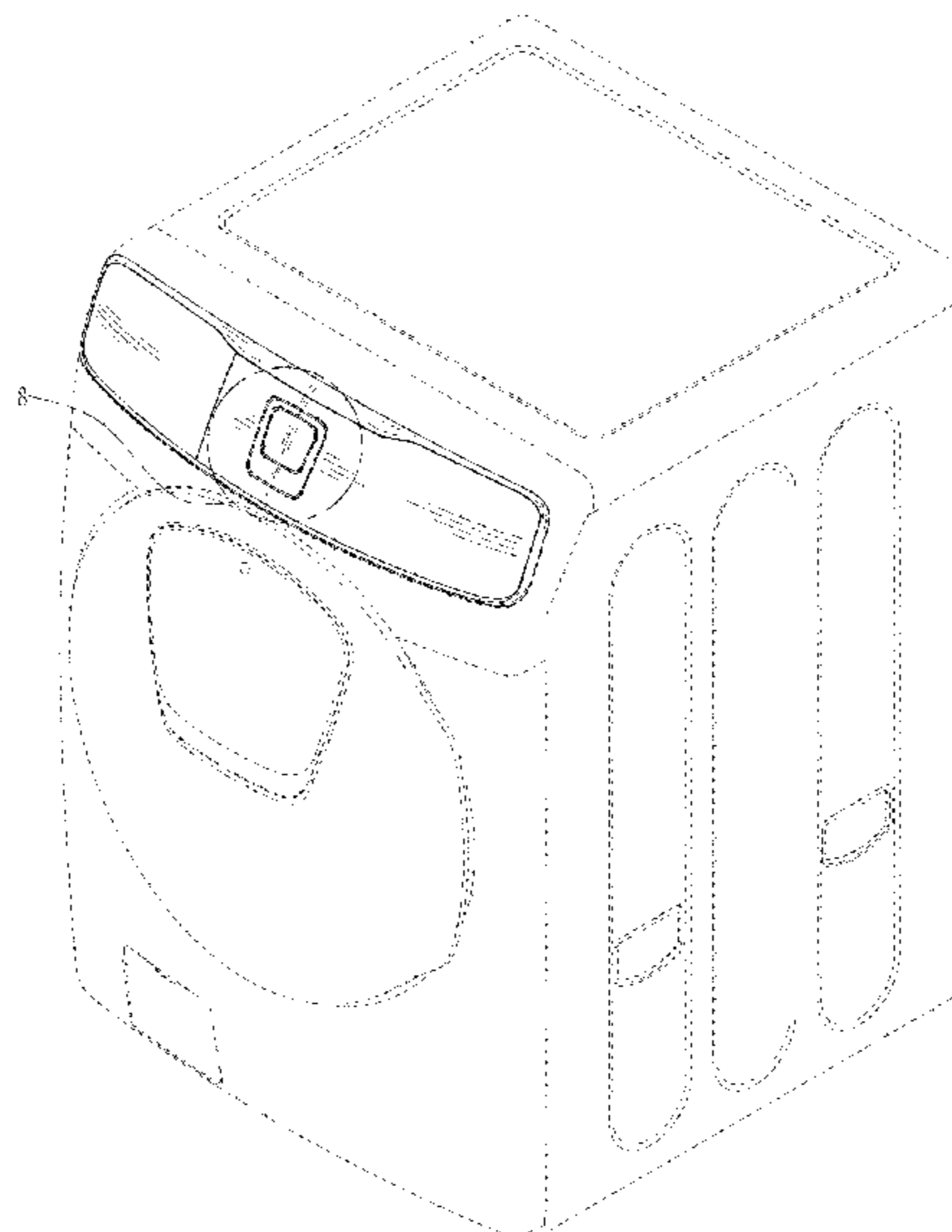


FIG. 1

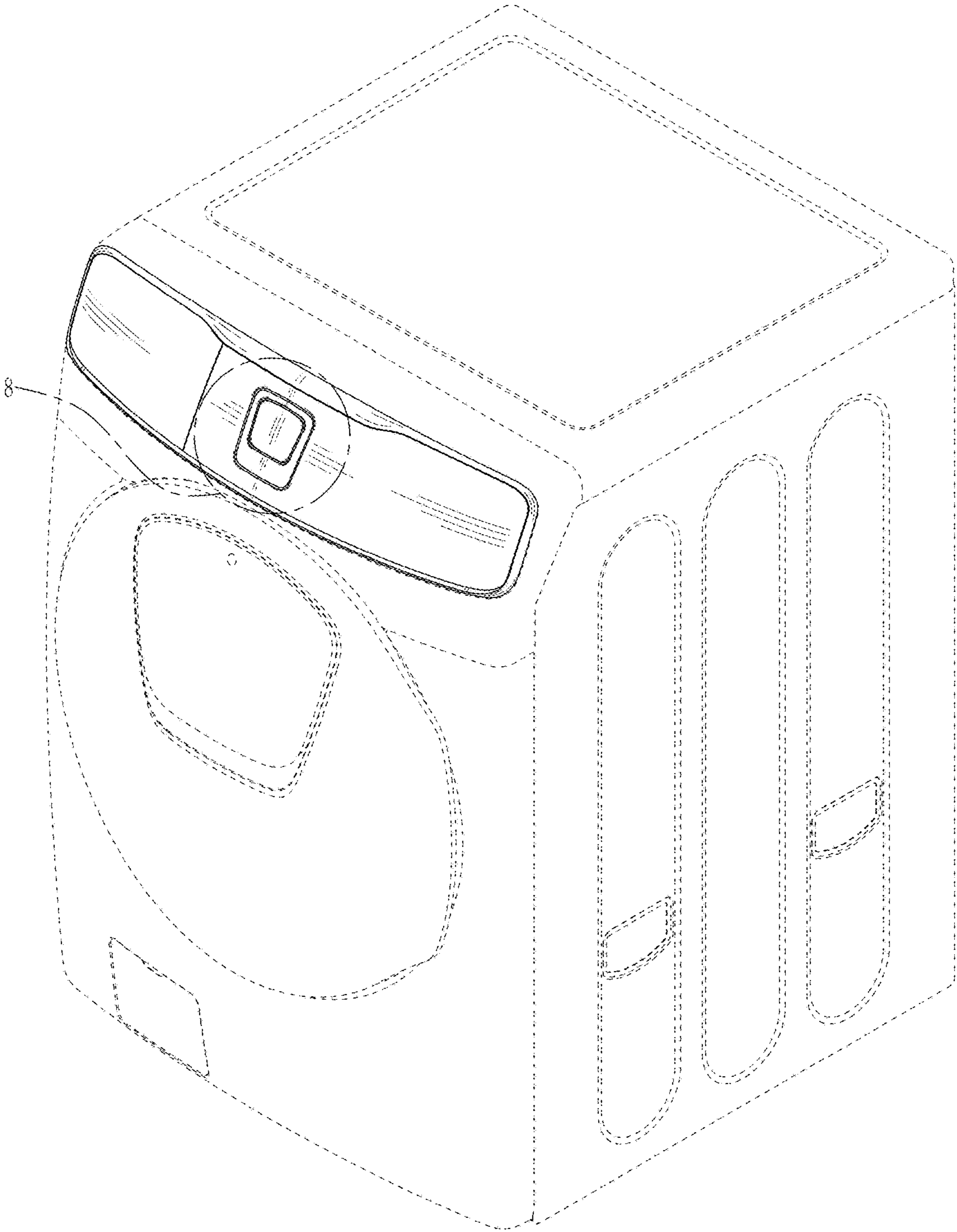


FIG. 2

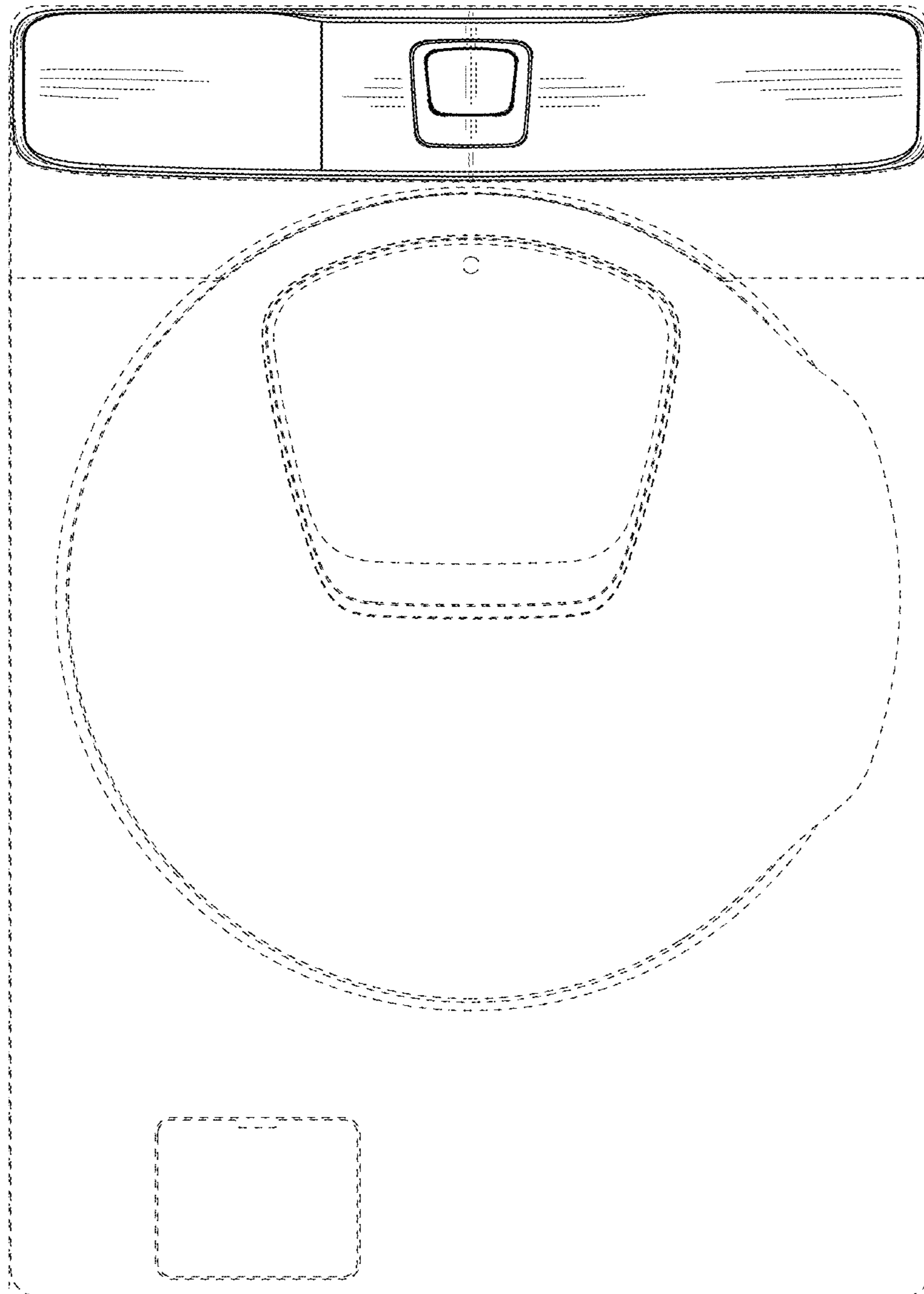


FIG. 3

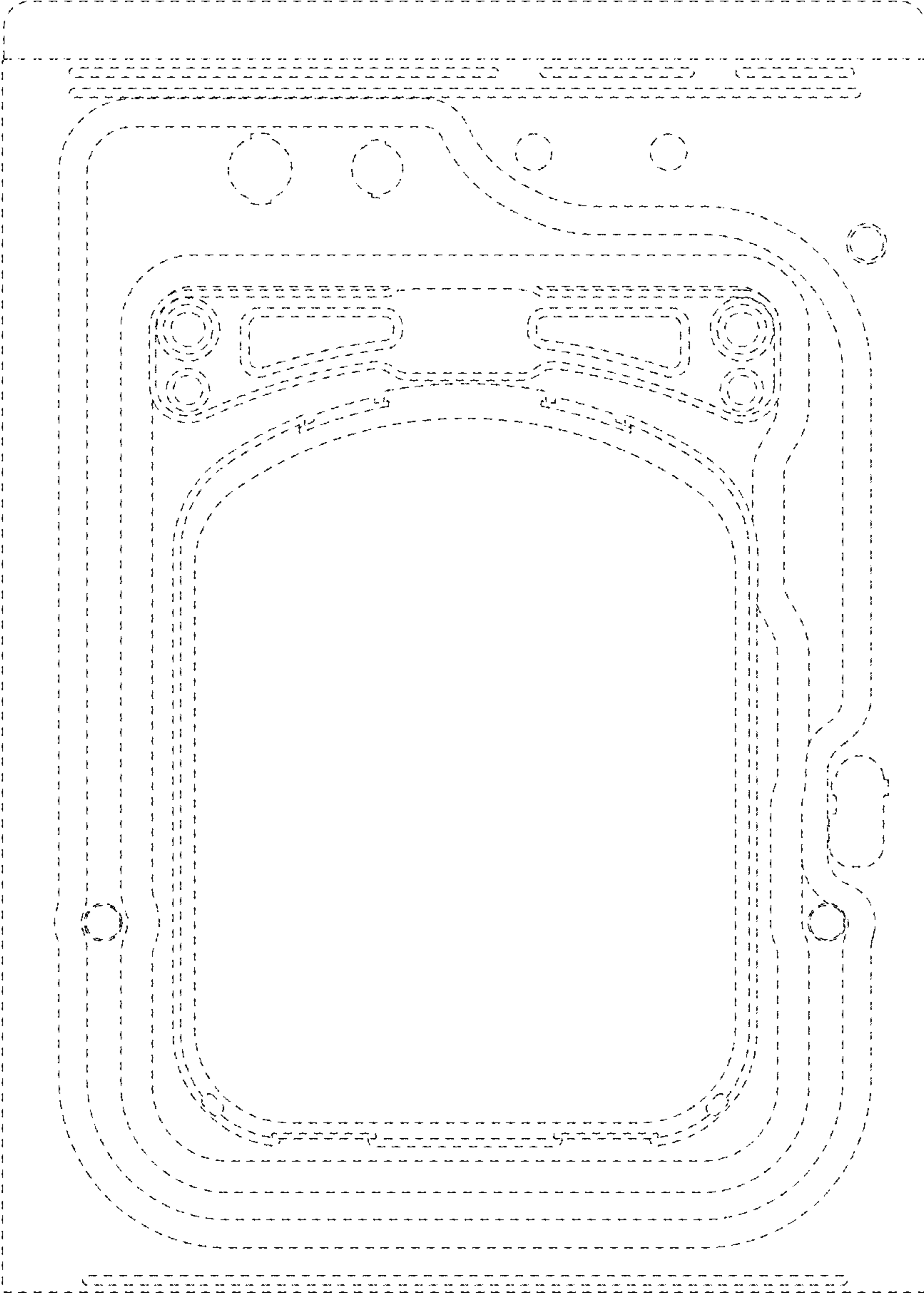


FIG. 4

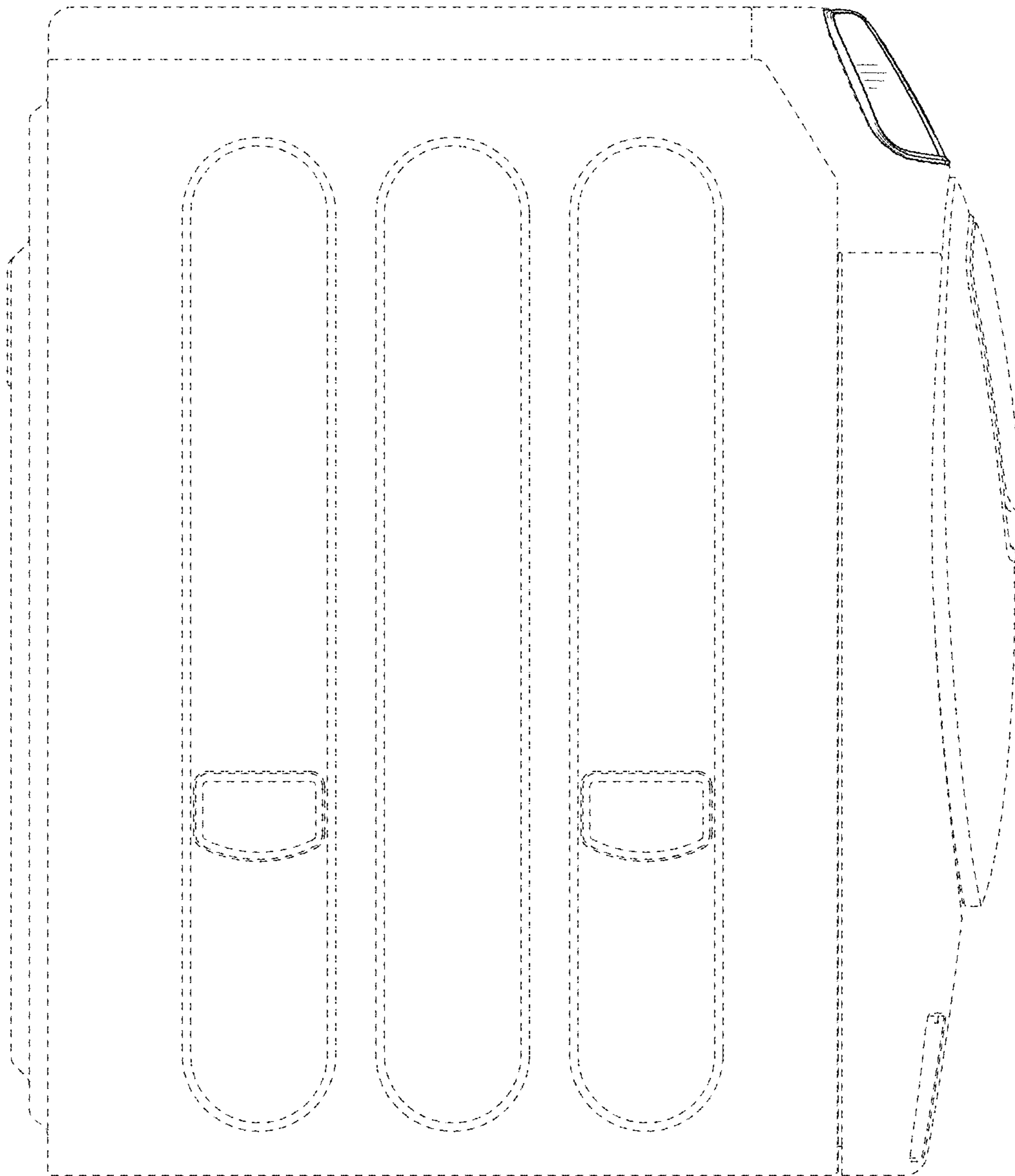


FIG. 5

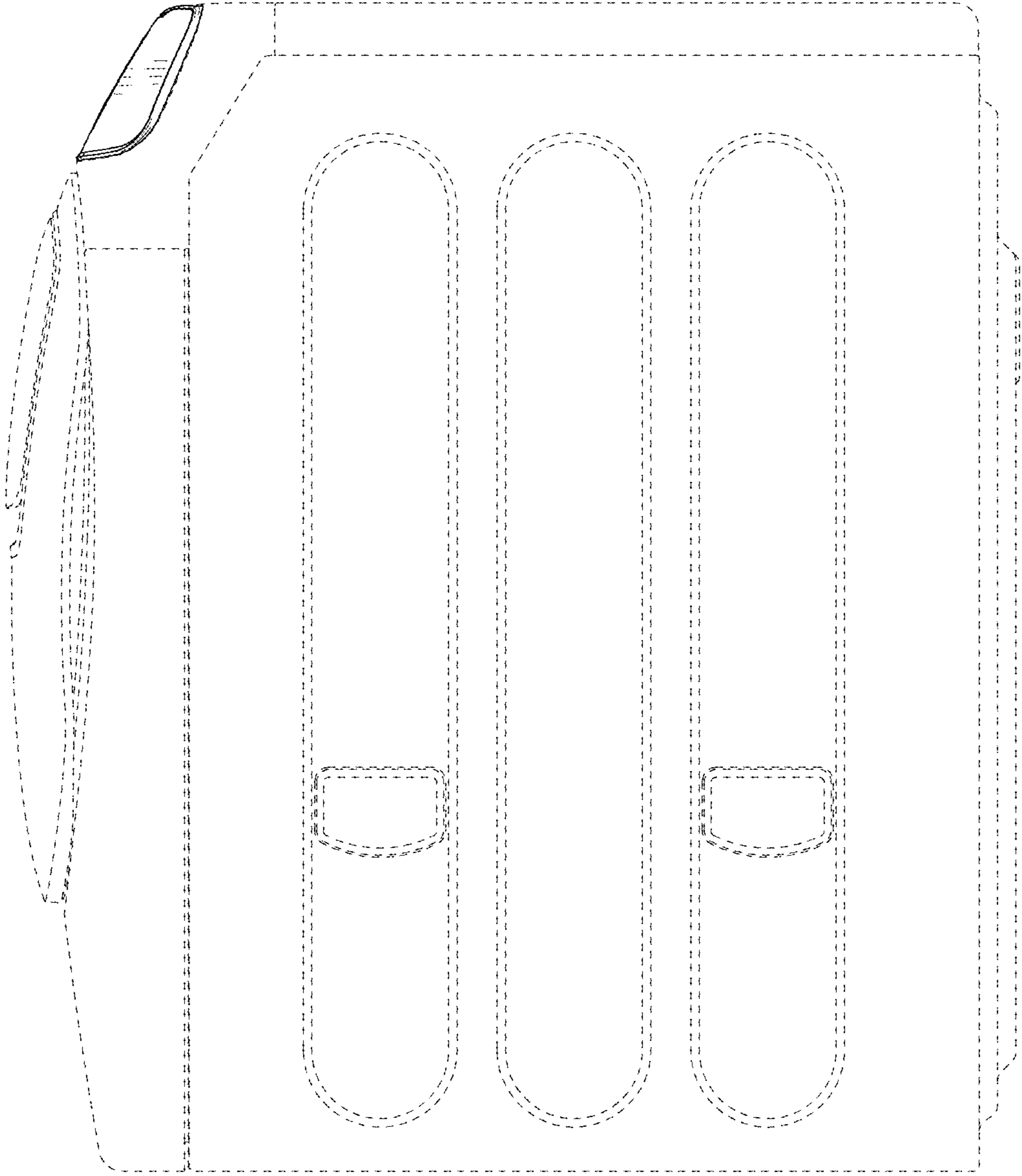


FIG. 6

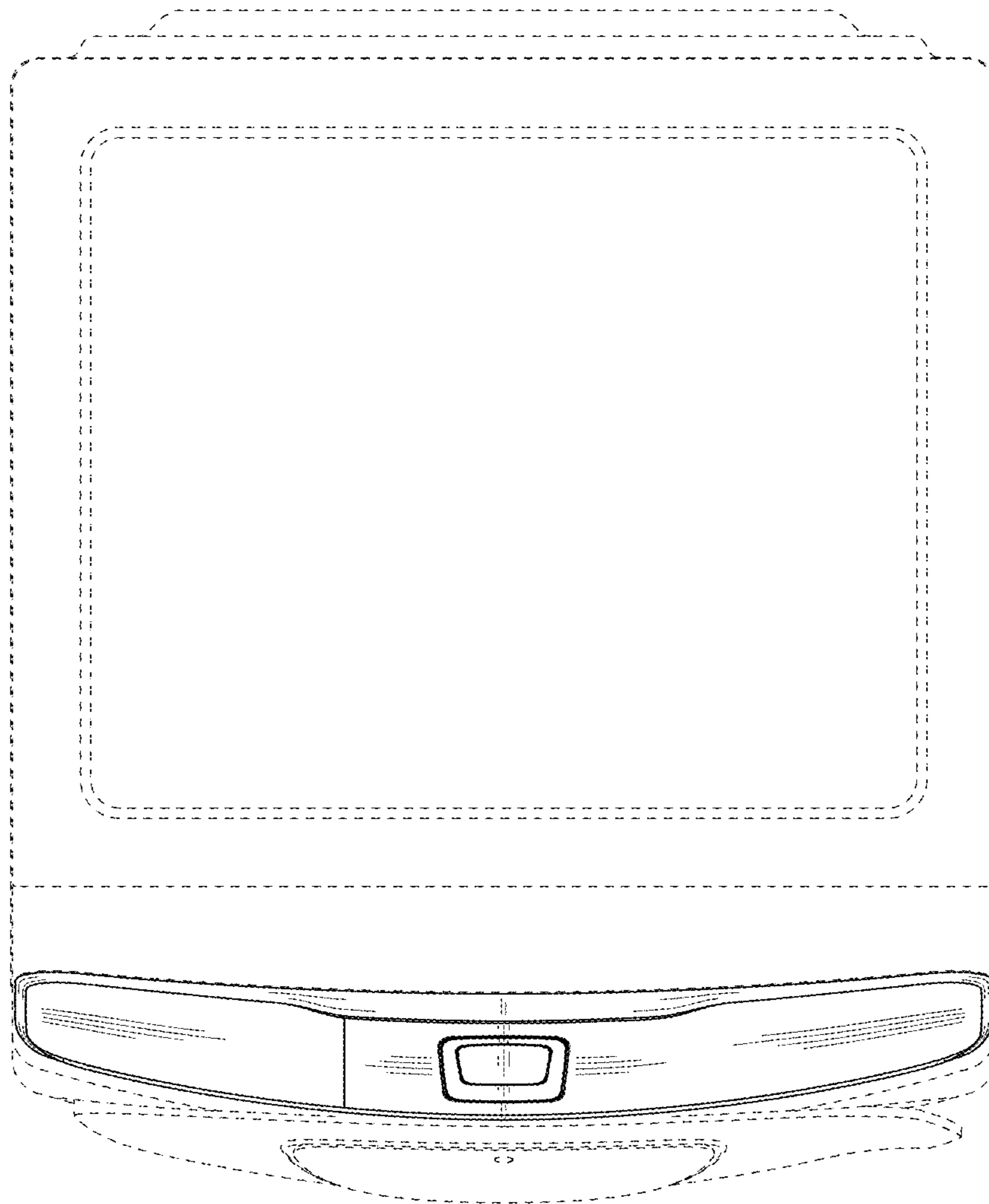


FIG. 7

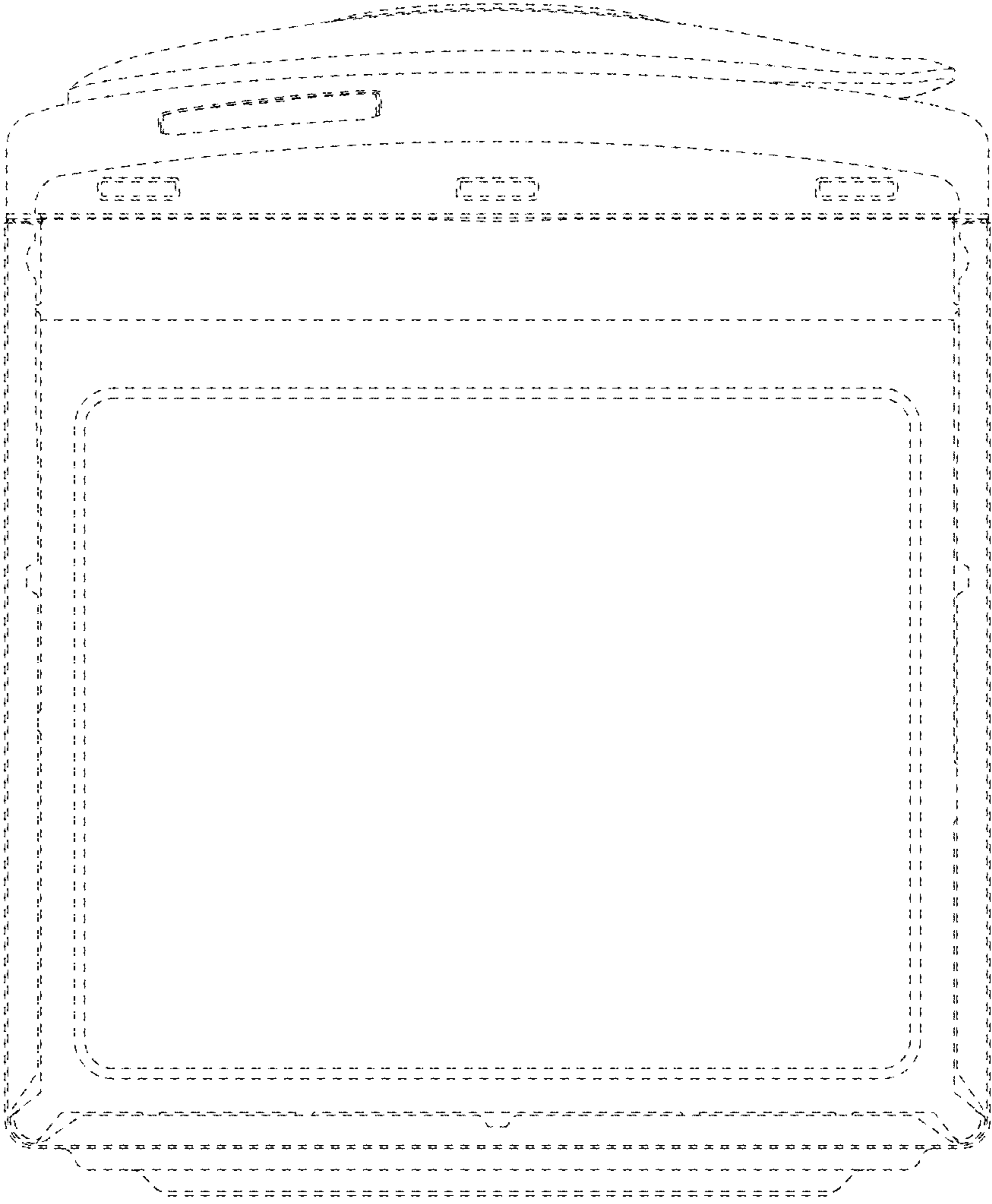




FIG. 8

