



US00D789622S

(12) **United States Design Patent**
Kellogg

(10) **Patent No.:** **US D789,622 S**
(45) **Date of Patent:** **** Jun. 13, 2017**

- (54) **FELINE PLAY STRUCTURE**
- (71) Applicant: **SportPet Designs, Inc.**, Waukesha, WI (US)
- (72) Inventor: **Adam M. Kellogg**, Oconomowoc, WI (US)
- (73) Assignee: **SportPet Designs, Inc.**, Waukesha, WI (US)
- (**) Term: **14 Years**
- (21) Appl. No.: **29/525,884**
- (22) Filed: **May 4, 2015**
- (51) **LOC (10) Cl.** **30-99**
- (52) **U.S. Cl.**
USPC **D30/160**
- (58) **Field of Classification Search**
USPC D30/158, 160; D21/826; D6/407
CPC A01K 15/024; A01K 15/025; A01K 15/26;
A01K 15/27; A61J 17/00; B65D 17/163;
B65D 17/165
See application file for complete search history.

4,576,116 A	3/1986	Binkert	
D283,635 S *	4/1986	Kato	D21/499
4,611,556 A	9/1986	Frank	
D295,088 S	4/1988	O'Rourke	
D298,577 S	11/1988	Faxon	
4,790,265 A	12/1988	Manson	
D308,562 S *	6/1990	Pentes	D21/826
D315,186 S	3/1991	Peterson	
5,050,536 A	9/1991	Baker	
5,148,768 A	9/1992	Hinton	
D331,649 S	12/1992	Saja	
D334,637 S	4/1993	Mitchell	
D334,815 S	4/1993	Bunger	
D336,557 S	6/1993	Wade	
D347,092 S	5/1994	Ravel	
D348,124 S	6/1994	O'Rourke et al.	
D349,783 S	8/1994	Berger	
D355,057 S	1/1995	Northrop et al.	
D389,550 S *	1/1998	Williams	D21/826
5,711,253 A *	1/1998	Phillips	A01K 15/025 119/706
D406,678 S	3/1999	Rittenhouse	
D444,600 S	7/2001	Spritzer	
D460,222 S	7/2002	DeRaspe-Bolles et al.	

(Continued)

Primary Examiner — Cathy Anne MacCormac

(57) **CLAIM**

The ornamental design for a feline play structure, as shown and described.

DESCRIPTION

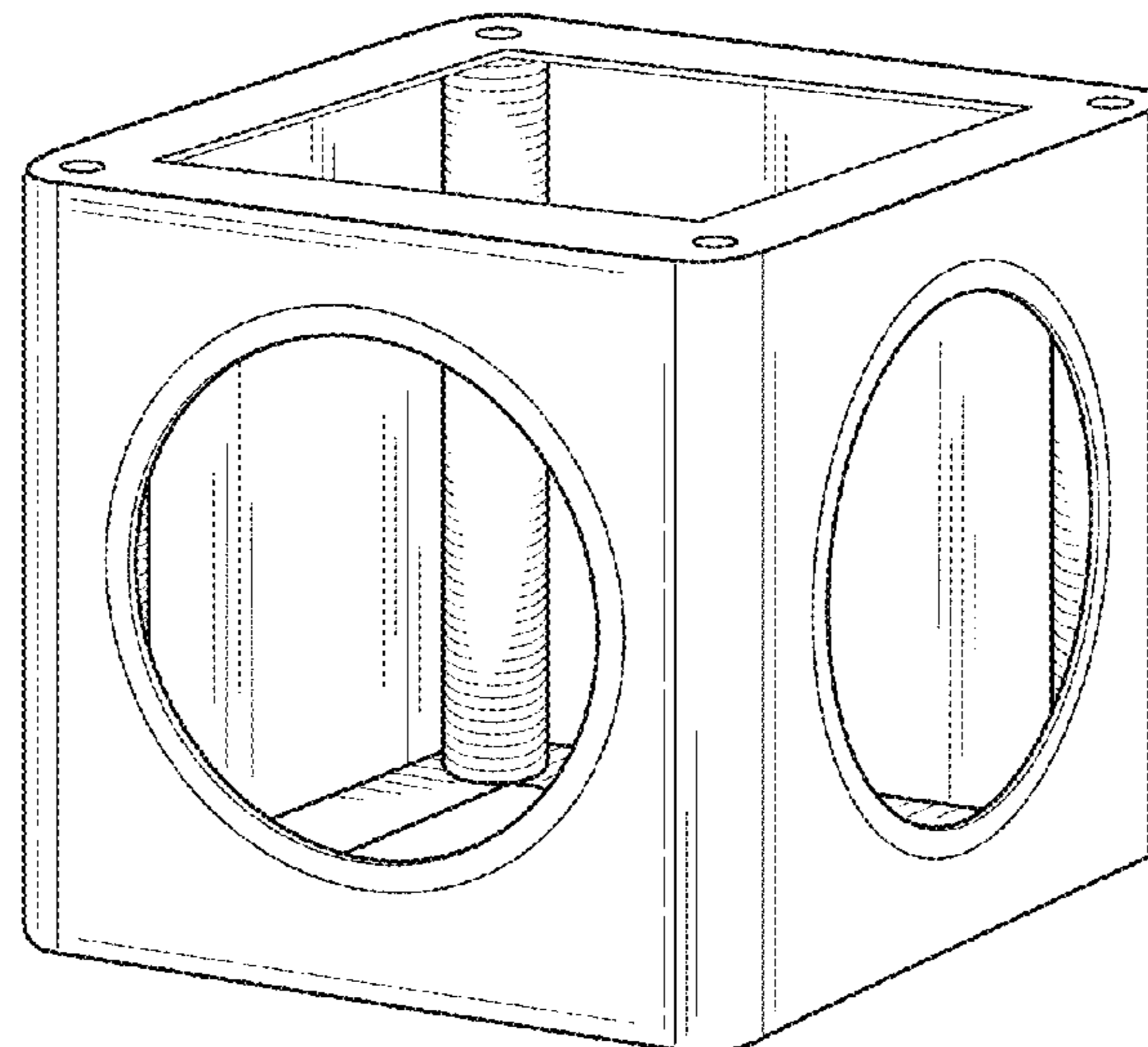
FIG. 1 is a perspective view of the invention; FIG. 2 is a reduced front elevation view, the right side elevation view being identical thereto; FIG. 3 is a rear elevation view of FIG. 2, the left side elevation view being identical thereof; and, FIG. 4 is a top plan view of FIG. 2. The bottom of the feline play structure is not shown and is not claimed.

1 Claim, 1 Drawing Sheet

(56) **References Cited**

U.S. PATENT DOCUMENTS

D175,292 S	8/1955	Austgen	
D206,579 S	1/1967	Sherwood	
D224,029 S *	6/1972	Gale et al.	D21/826
D228,537 S	10/1973	Jennings	
D235,270 S	6/1975	Borak	
D245,190 S	7/1977	Higo	
4,177,761 A	12/1979	Bellocchi, Jr.	
4,177,763 A	12/1979	Cook	
4,253,423 A	3/1981	Kaplan	
D261,186 S	10/1981	Michalski	
4,301,776 A *	11/1981	Fleming	F01B 9/06 123/197.1
4,517,922 A	5/1985	Lind	



(56)

References Cited

U.S. PATENT DOCUMENTS

D469,583 S	1/2003	Bentzinger	
D501,064 S	1/2005	Williams	
D513,546 S	1/2006	Comerford	
D529,666 S	10/2006	Simpson et al.	
D545,007 S	6/2007	Northrop	
D583,517 S	12/2008	Tycer	
D606,714 S	12/2009	Kellogg et al.	
D607,158 S	12/2009	Kellogg et al.	
D607,159 S	12/2009	Kellogg et al.	
D612,111 S	3/2010	Kellogg et al.	
D614,364 S	4/2010	Kellogg et al.	
D614,820 S	4/2010	Kellogg et al.	
D615,255 S	5/2010	Kellogg et al.	
D616,045 S *	5/2010	Tervo	D21/499
D616,160 S	5/2010	Kellogg et al.	
8,113,149 B2 *	2/2012	Quinn	A01K 15/024 119/702

* cited by examiner

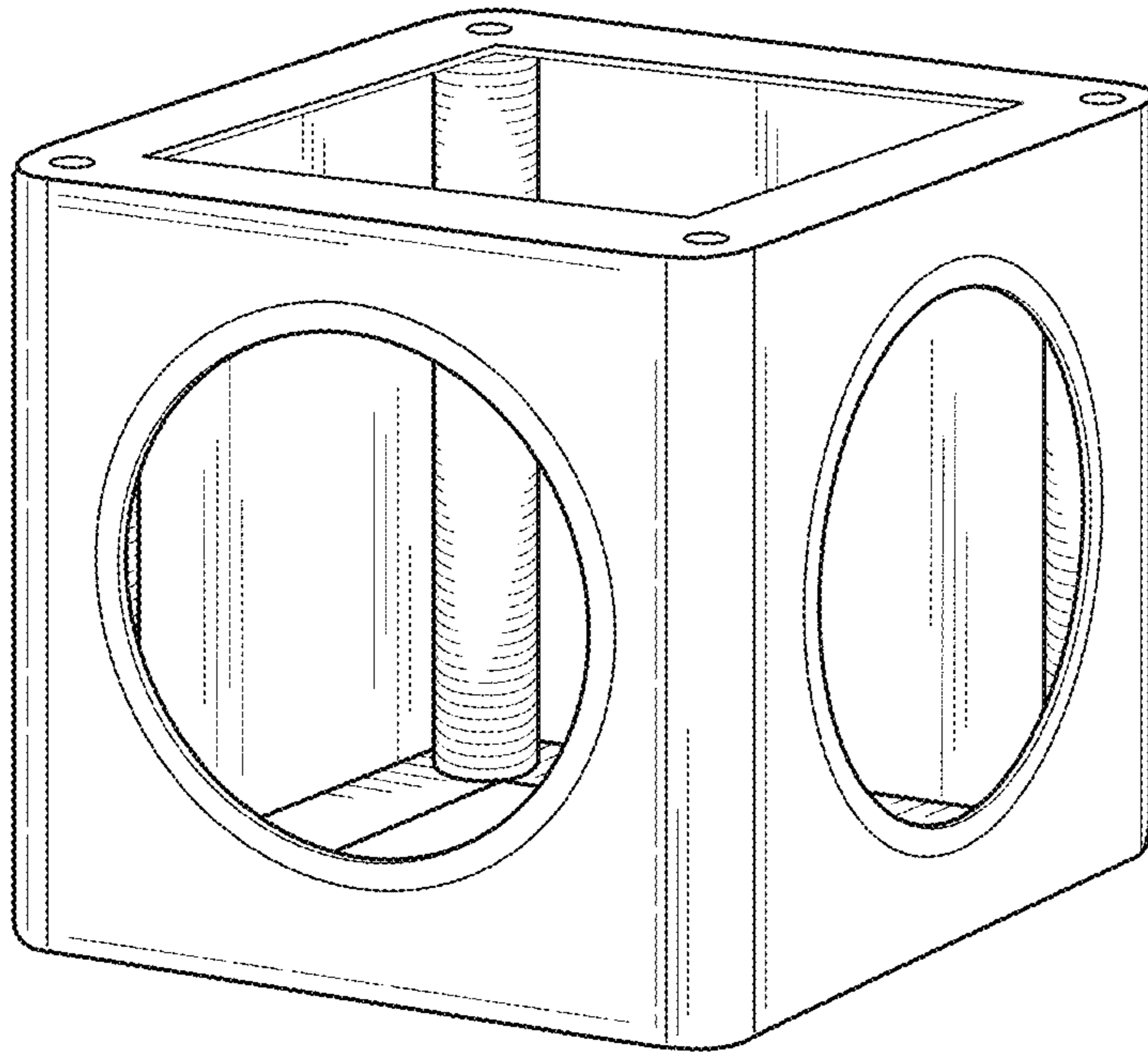


Fig. 1

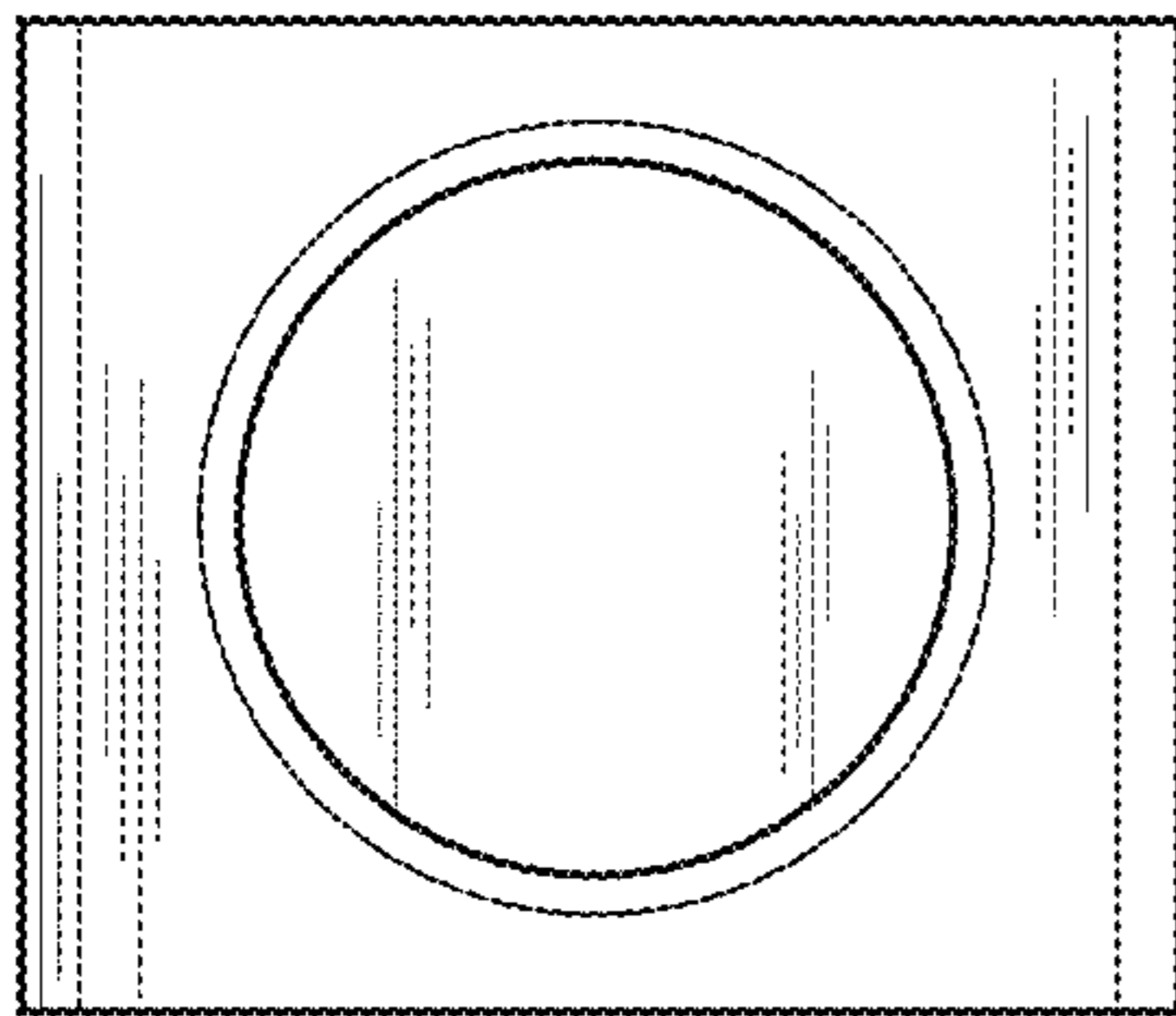


Fig. 2

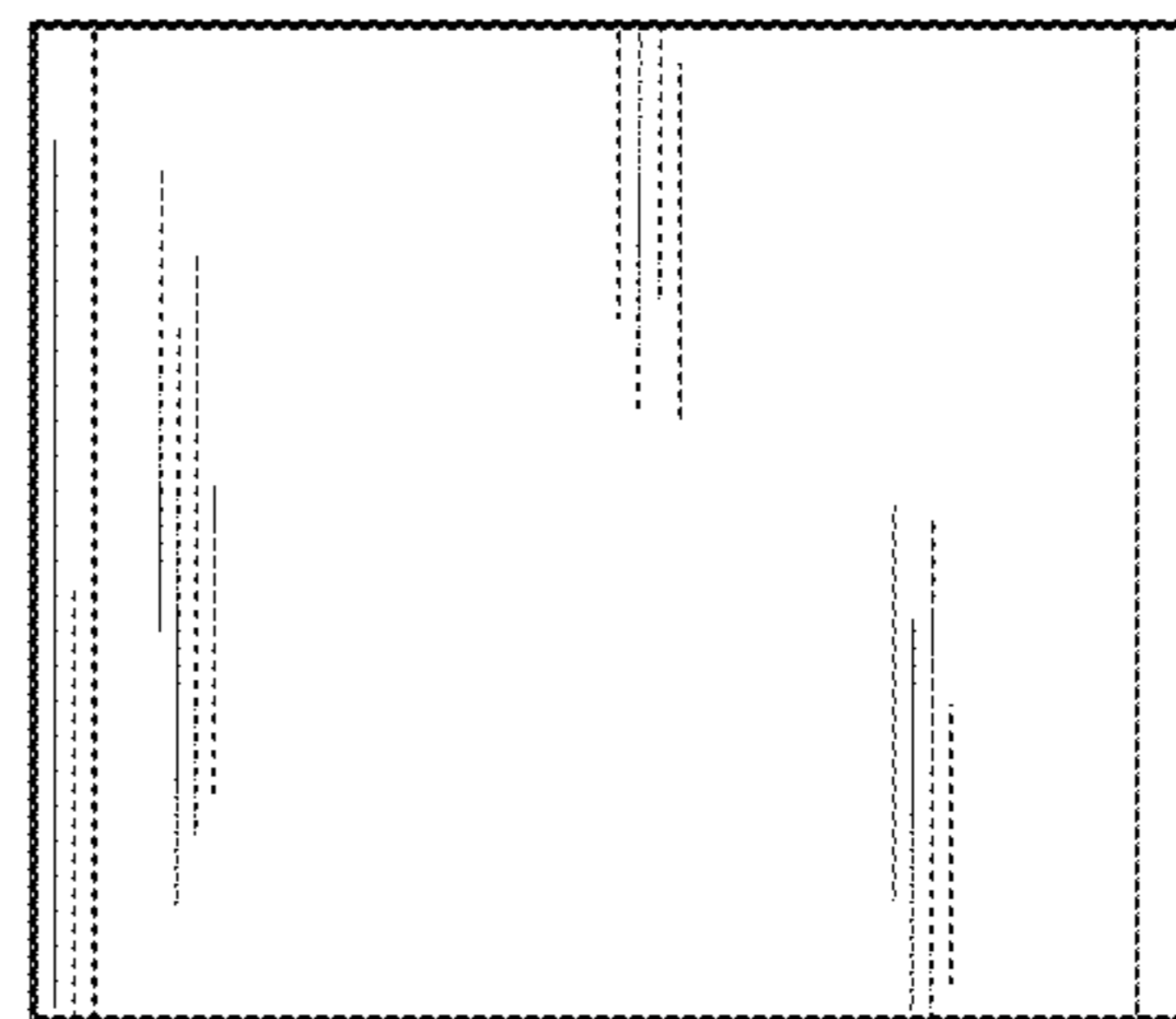


Fig. 3

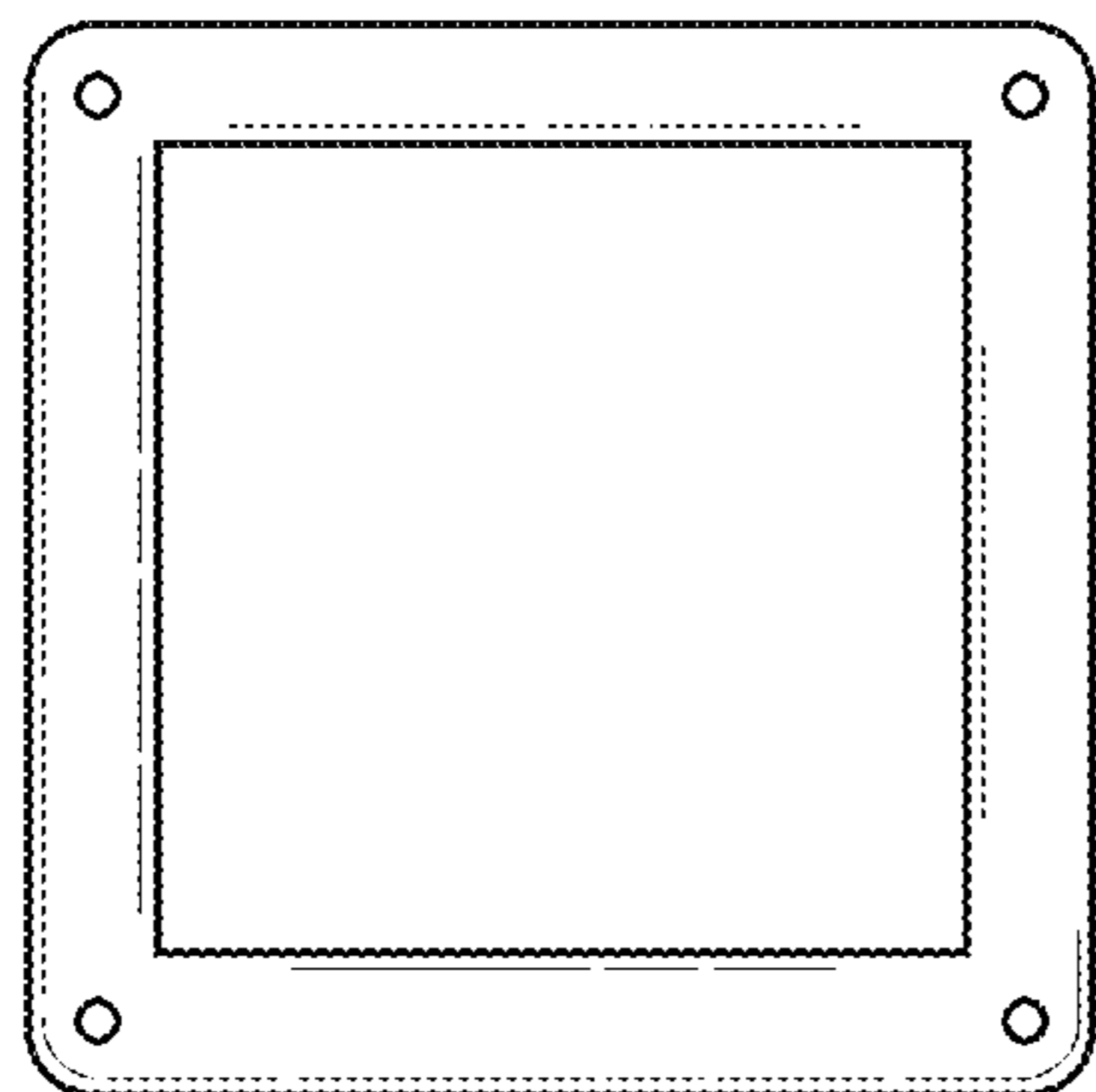


Fig. 4