



US00D789620S

(12) **United States Design Patent**
Hampel

(10) **Patent No.:** **US D789,620 S**

(45) **Date of Patent:** **** Jun. 13, 2017**

(54) **LIVESTOCK PEN DOOR**

(71) Applicant: **Lance T. Hampel**, Fredericksburg, TX
(US)

(72) Inventor: **Lance T. Hampel**, Fredericksburg, TX
(US)

(**) Term: **15 Years**

(21) Appl. No.: **29/540,901**

(22) Filed: **Sep. 29, 2015**

(51) **LOC (10) Cl.** **30-02**

(52) **U.S. Cl.**
USPC **D30/119**

(58) **Field of Classification Search**
USPC D30/108, 109, 113, 114, 116, 118, 119,
D30/120; D25/48.1, 48.3; D8/333, 343,
D8/382, 383; 119/28.5, 416, 428, 452,
119/453, 472, 473, 481, 482, 496, 498,
119/499, 501, 502, 702, 703, 706, 751;
160/179, 180; 49/169; 24/305, 331,
24/579.11

CPC A01K 1/0017
See application file for complete search history.

(56) **References Cited**

U.S. PATENT DOCUMENTS

3,051,127	A *	8/1962	Norbury	A01K 1/0613 119/734
D219,926	S *	2/1971	Lage	D30/113
4,696,259	A *	9/1987	Fewox	A01K 1/034 119/452
5,036,796	A *	8/1991	deMuy	A01K 1/031 119/481
D351,688	S *	10/1994	Northrop	D30/119
D380,053	S *	6/1997	Forsland	D25/48.3
5,735,079	A *	4/1998	Davlandes	E06B 7/32 49/169
D396,300	S *	7/1998	Grimaldi	D25/48.3
D538,942	S *	3/2007	Grundy	D30/119

8,186,306	B2	5/2012	Hampel	
D685,532	S	7/2013	Hampel et al.	
8,763,561	B2	7/2014	Hampel	
8,875,772	B1 *	11/2014	Dixon, Jr. A63B 71/022 160/180
8,973,533	B2	3/2015	Hampel et al.	
2006/0065209	A1 *	3/2006	May A01K 1/0613 119/502

(Continued)

OTHER PUBLICATIONS

“Priefert Manufacturing—Farm Ranch and Rodeo Equipment”.
Found online Jul. 1, 2016 at priefert.com. Page dated Sep. 1, 2014.
Retrieved from <http://web.archive.org/web/20140901072636/http://www.priefert.com/>.*

(Continued)

Primary Examiner — Robert M Spear
Assistant Examiner — Kendra L Hamilton
(74) *Attorney, Agent, or Firm* — Quarles & Brady LLP

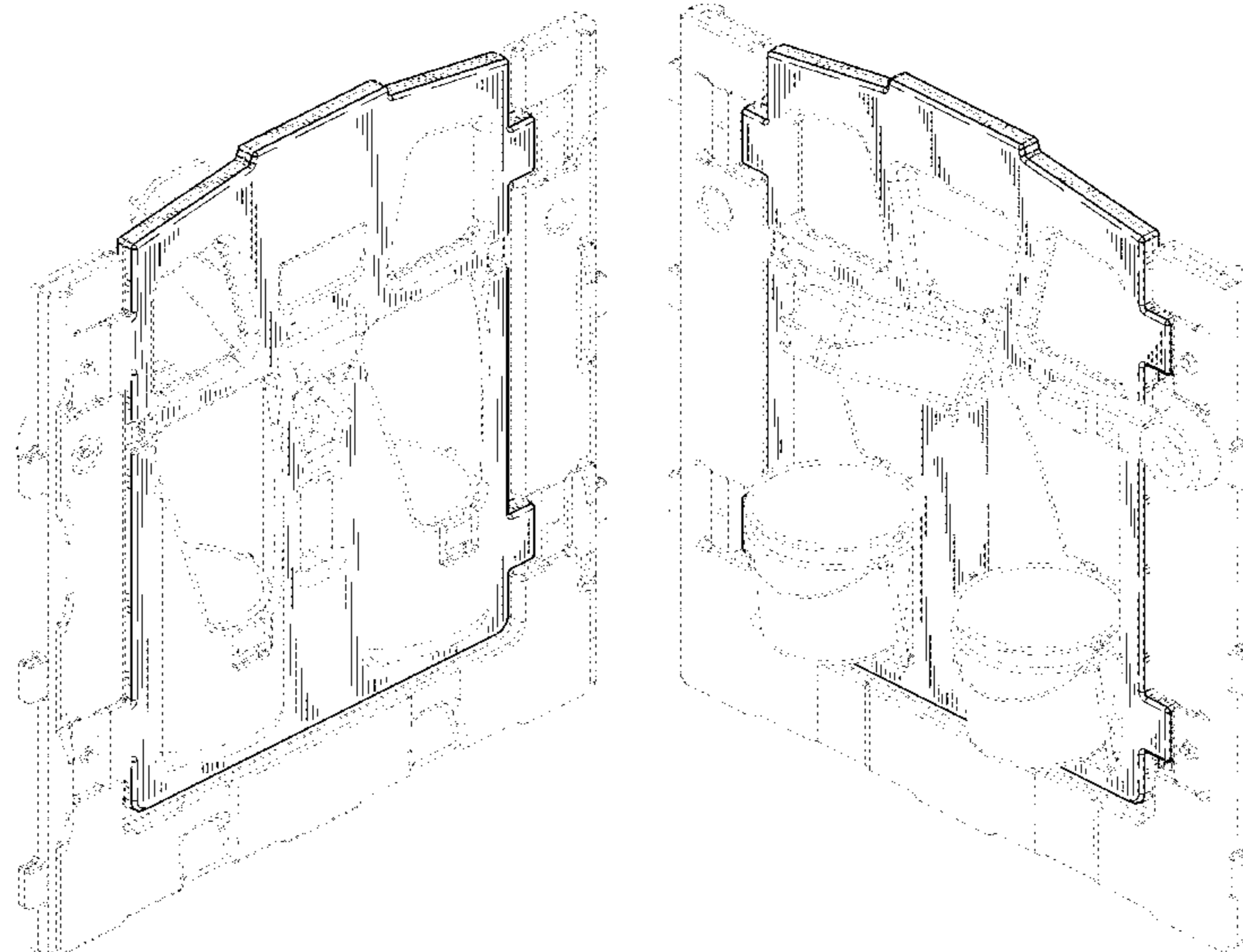
(57) **CLAIM**

The ornamental design for a livestock pen door, as shown and described.

DESCRIPTION

FIG. 1 is a rear perspective view of a livestock pen door showing my new design;
FIG. 2 is a front perspective view thereof;
FIG. 3 is a rear elevational view thereof;
FIG. 4 is a front elevational view thereof;
FIG. 5 is a right side elevational view thereof;
FIG. 6 is a left side elevational view thereof;
FIG. 7 is a top plan view thereof;
FIG. 8 is a bottom plan view thereof; and,
FIG. 9 is a rear elevational view thereof.
In the drawings, the broken lines depict environmental subject matter only and form no part of the claimed design.

1 Claim, 7 Drawing Sheets



(56)

References Cited

U.S. PATENT DOCUMENTS

2013/0081575 A1* 4/2013 Hampel A01K 1/0088
119/502
2015/0042119 A1* 2/2015 Distelrath B60P 3/04
296/24.31

OTHER PUBLICATIONS

“Sioux Steel Cattle & Livestock Handling Equipment”. Found
online Jul. 1, 2016 at ackermanonline.com. Page dated Jun. 8, 2012.
Retrieved from <http://web.archive.org/web/20120608095619/http://www.ackermanonline.com/dist/siouxcattlechutesandlivestockequipment.htm> I.*

* cited by examiner

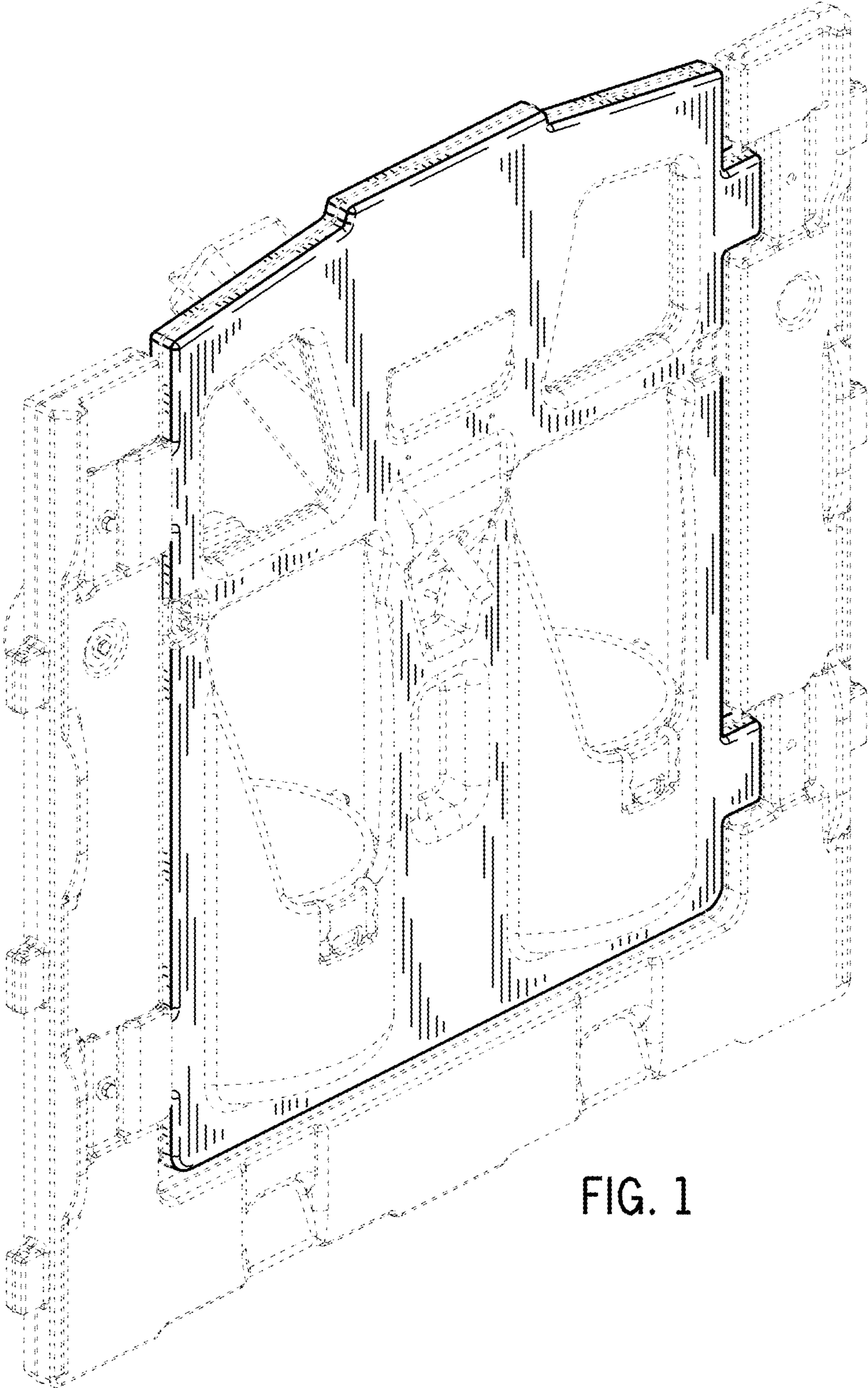


FIG. 1

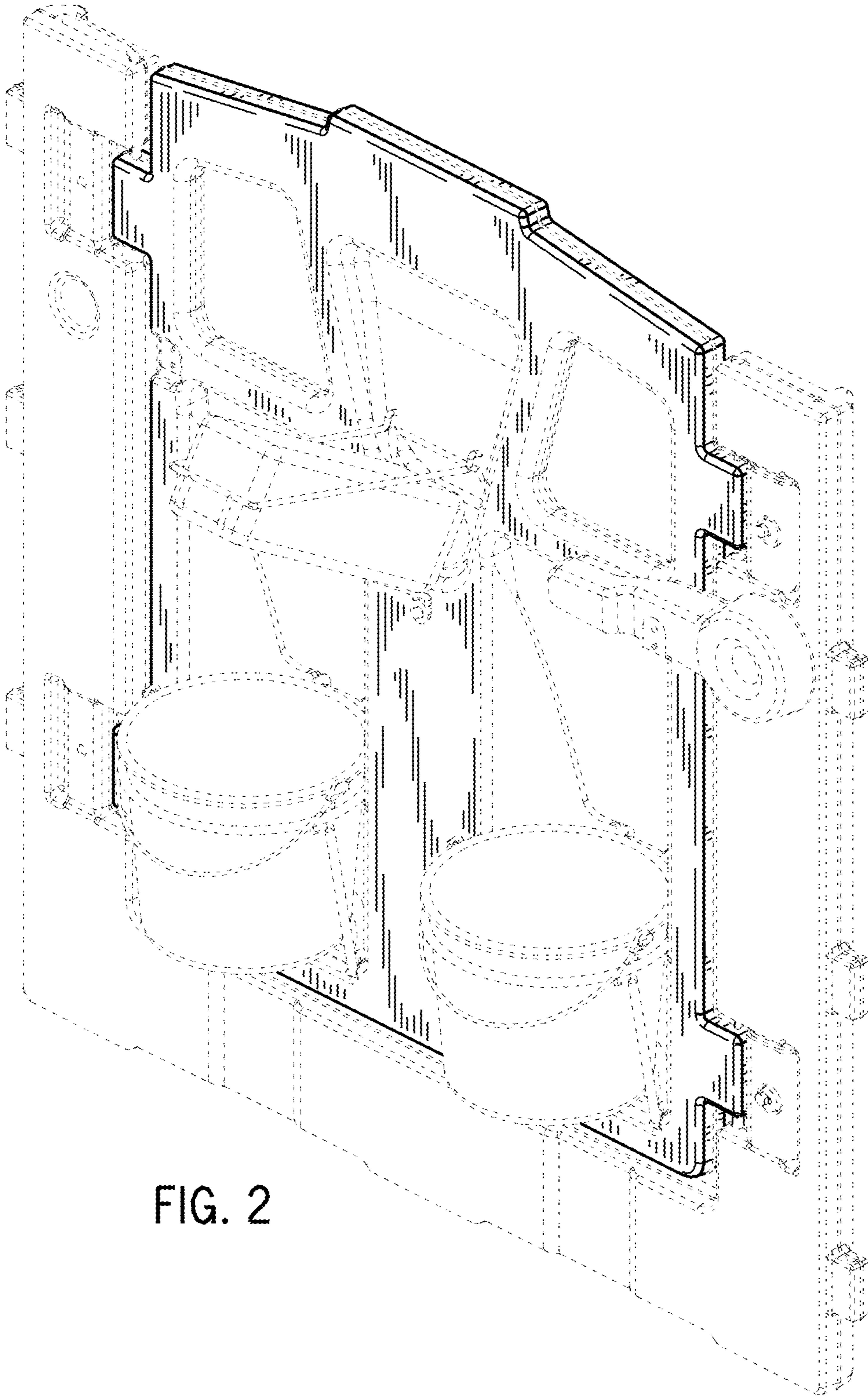


FIG. 2

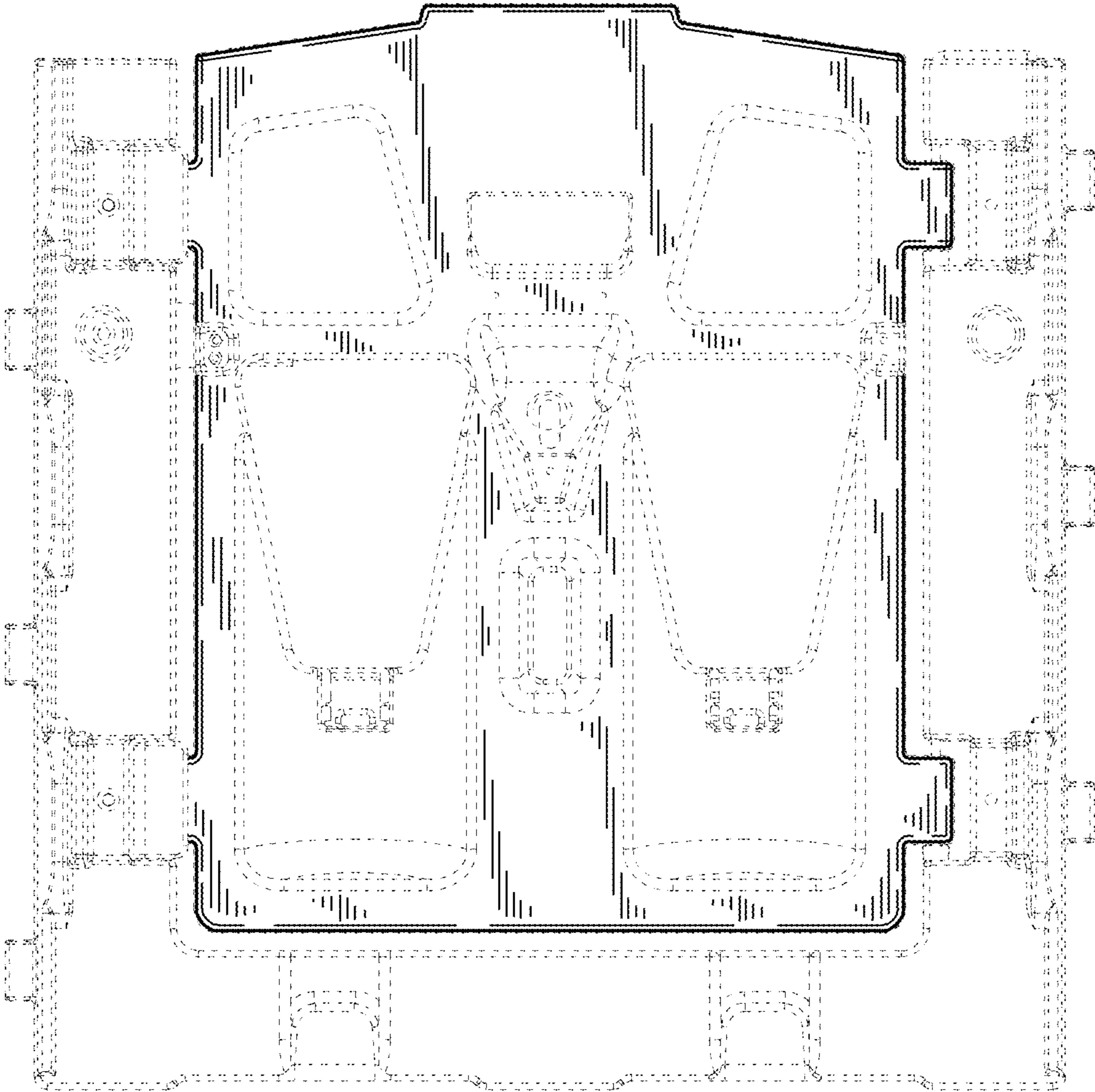


FIG. 3

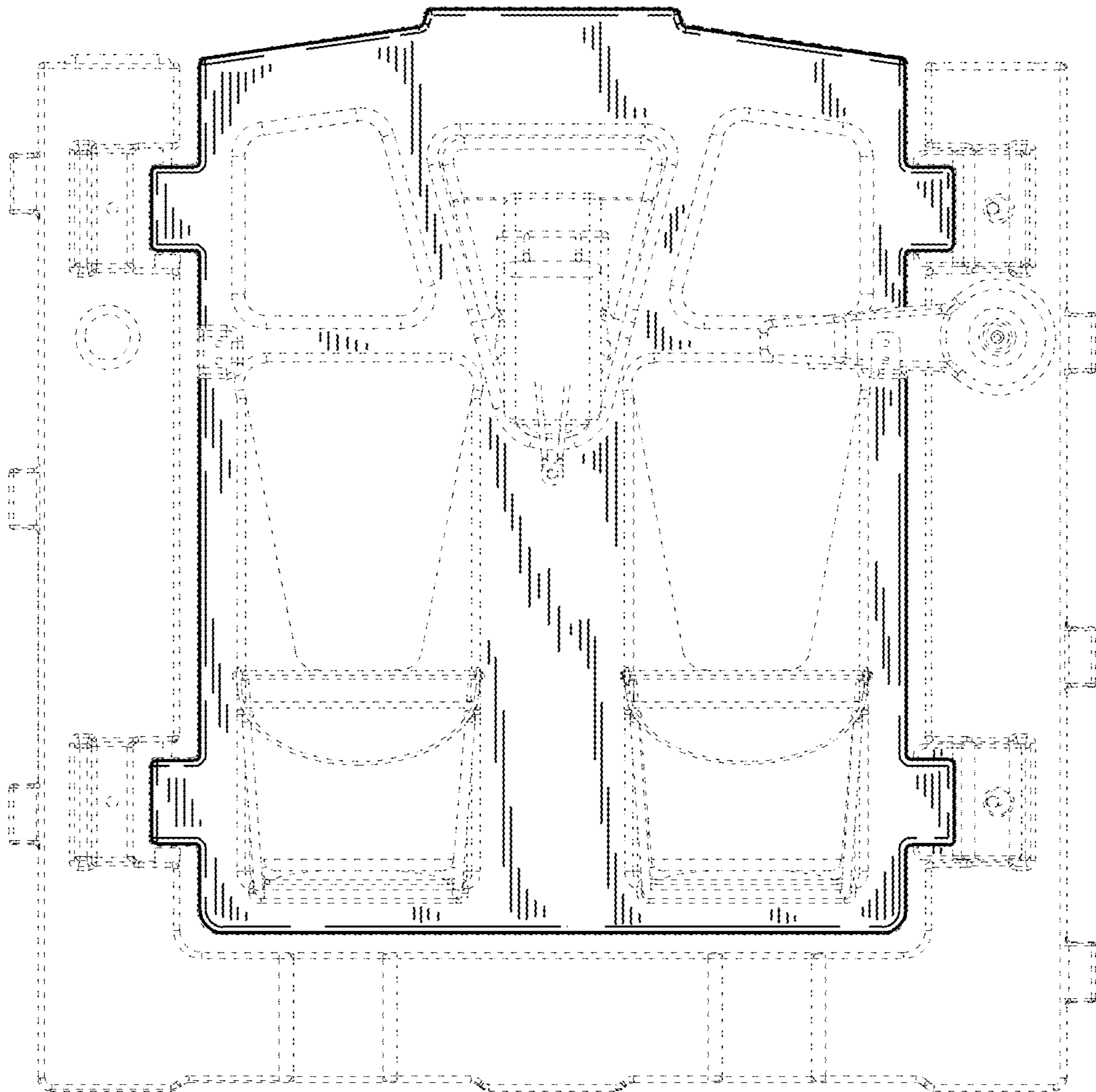


FIG. 4

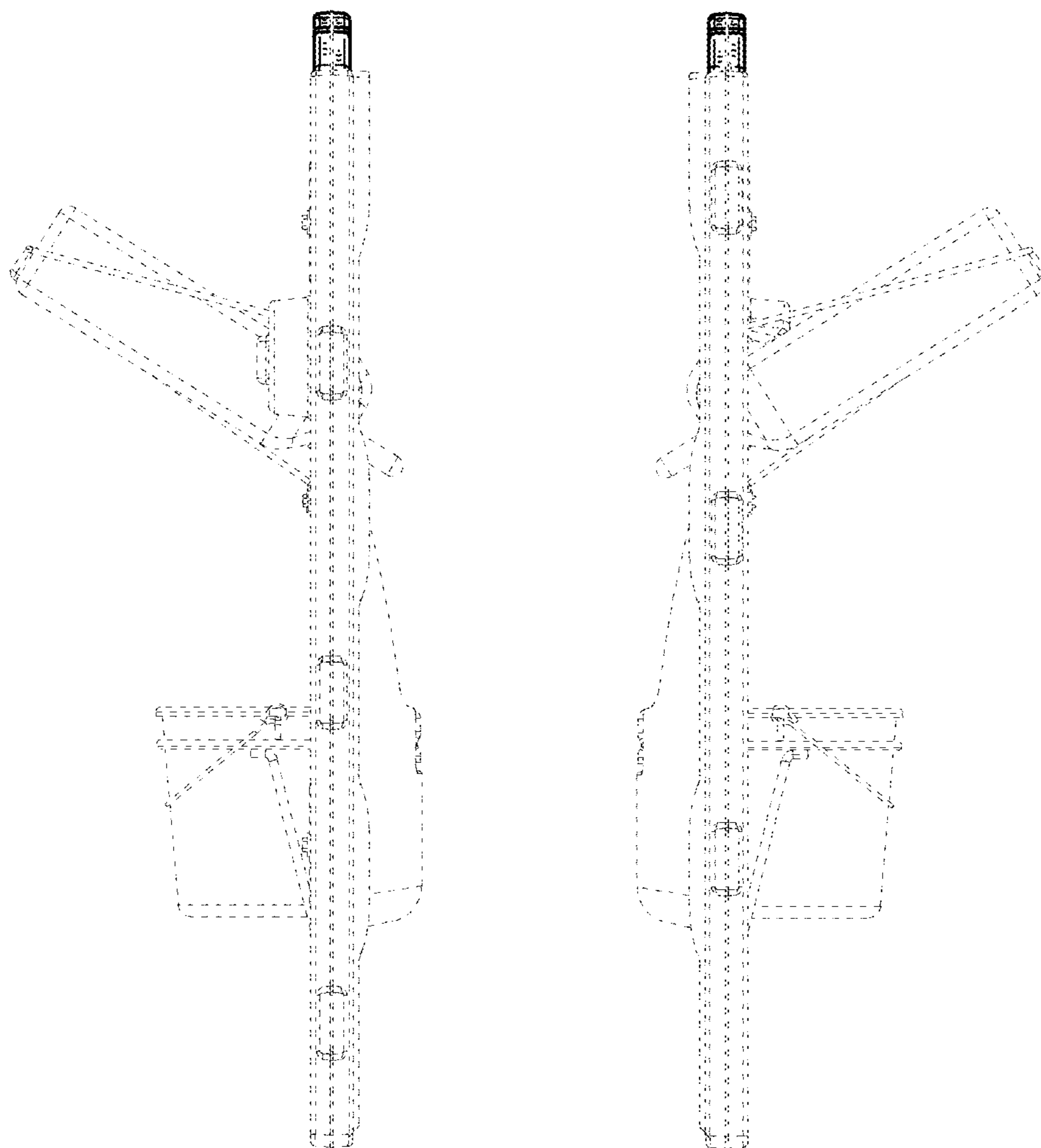


FIG. 5

FIG. 6

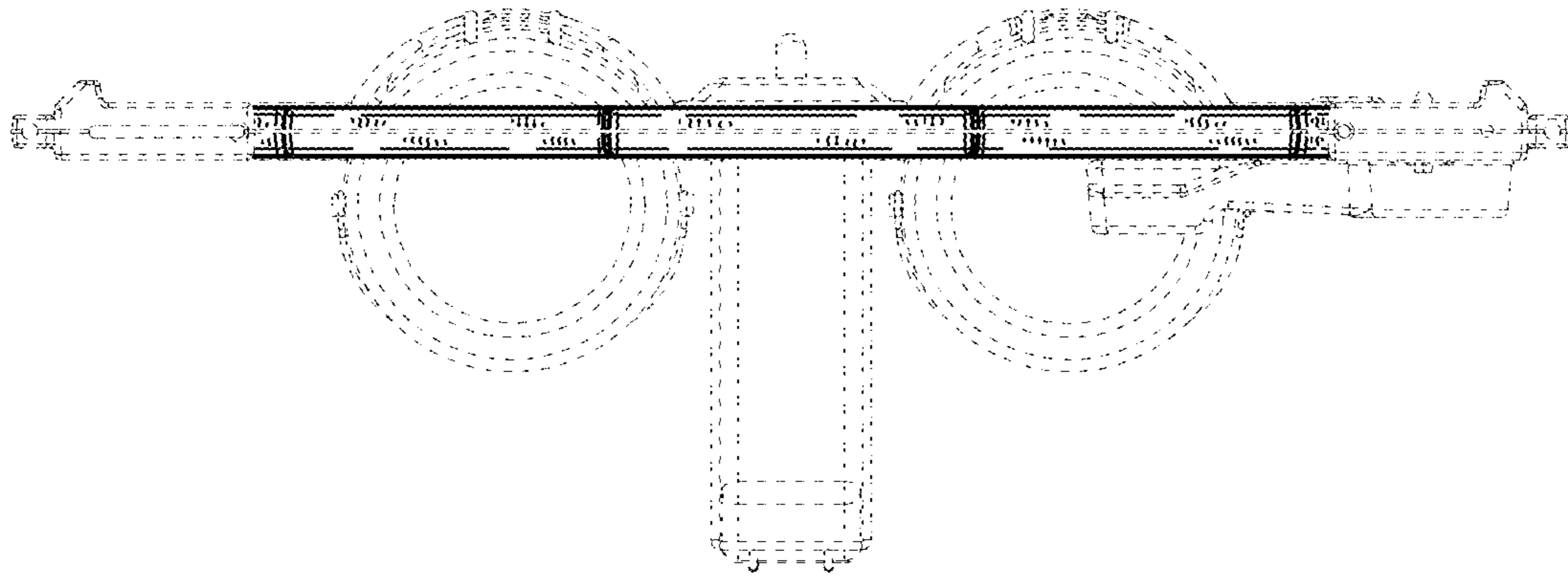


FIG. 7

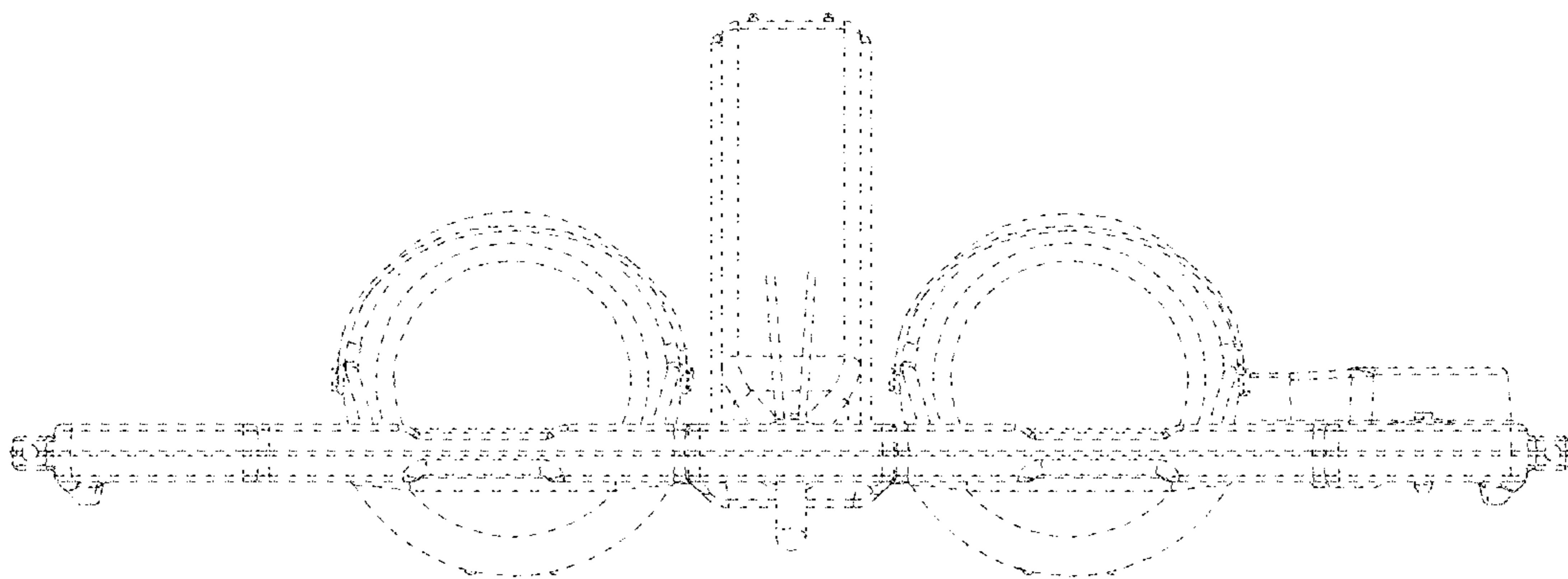


FIG. 8

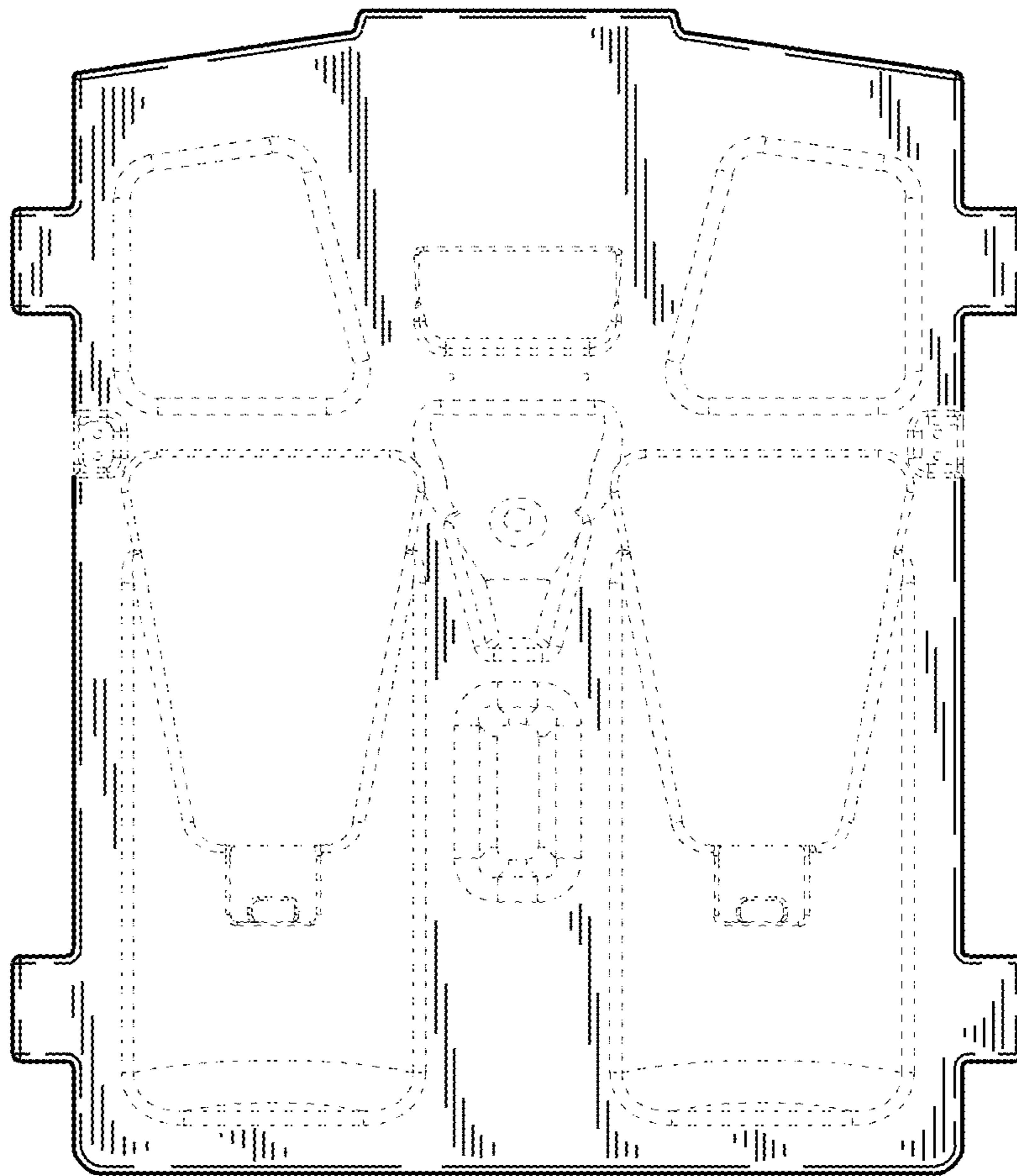


FIG. 9