



US00D789619S

(12) **United States Design Patent**
Xie

(10) **Patent No.:** **US D789,619 S**

(45) **Date of Patent:** **** Jun. 13, 2017**

(54) **FISH TANK**

(71) Applicant: **Shenzhen Xingrisheng Industrial Co., Ltd.**, Shenzhen (CN)

(72) Inventor: **Yong Xie**, Shenzhen (CN)

(73) Assignee: **SHENZHEN XINGRISHENG INDUSTRIAL CO., LTD.**, Shenzhen (CN)

(**) Term: **14 Years**

(21) Appl. No.: **29/522,812**

(22) Filed: **Apr. 2, 2015**

(30) **Foreign Application Priority Data**

Oct. 24, 2014 (CN) 2014 3 0407581

(51) **LOC (10) Cl.** **30-02**

(52) **U.S. Cl.**
USPC **D30/104**

(58) **Field of Classification Search**
USPC D30/101-107
CPC A01K 63/00; A01K 63/003; A01K 63/02;
A01K 63/006
See application file for complete search history.

(56) **References Cited**

U.S. PATENT DOCUMENTS

D278,941 S * 5/1985 Bohnsack D30/101
4,967,694 A * 11/1990 Waldman A01K 63/006
119/246

5,263,772 A * 11/1993 Ritzow A01K 63/006
119/247
D397,521 S * 8/1998 Gomi D30/101
D484,282 S * 12/2003 Lockwood D30/106
D596,808 S * 7/2009 Belter D30/101
D655,052 S * 2/2012 Chen D30/101
D664,716 S * 7/2012 Sun D30/101
D669,643 S * 10/2012 Kilroy A01K 63/003
D30/104
D693,520 S * 11/2013 Xu D26/51
D737,492 S * 8/2015 Li D26/60
D756,040 S * 5/2016 Rathbone D30/101
2017/0071171 A1 * 3/2017 Hanson A01K 63/006

* cited by examiner

Primary Examiner — Michael A Pratt

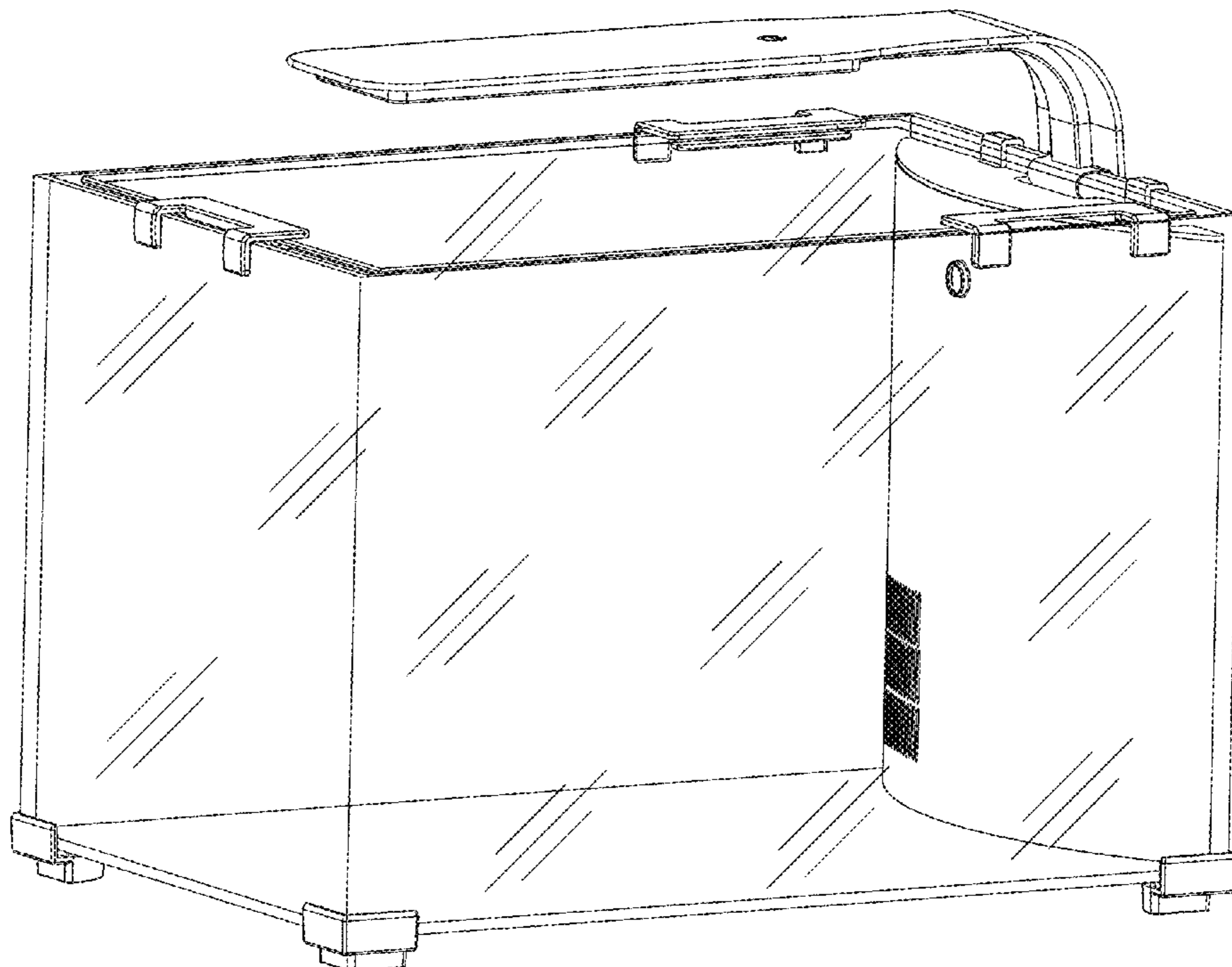
(57) **CLAIM**

The ornamental design for fish tank, as shown and described.

DESCRIPTION

FIG. 1 is a perspective view of the fish tank showing my new design;
FIG. 2 is a perspective view thereof;
FIG. 3 is a front plan view thereof;
FIG. 4 is a back plan view thereof;
FIG. 5 is a left plan view thereof;
FIG. 6 is a right plan view thereof; and,
FIG. 7 is an downward plan view thereof.

1 Claim, 7 Drawing Sheets



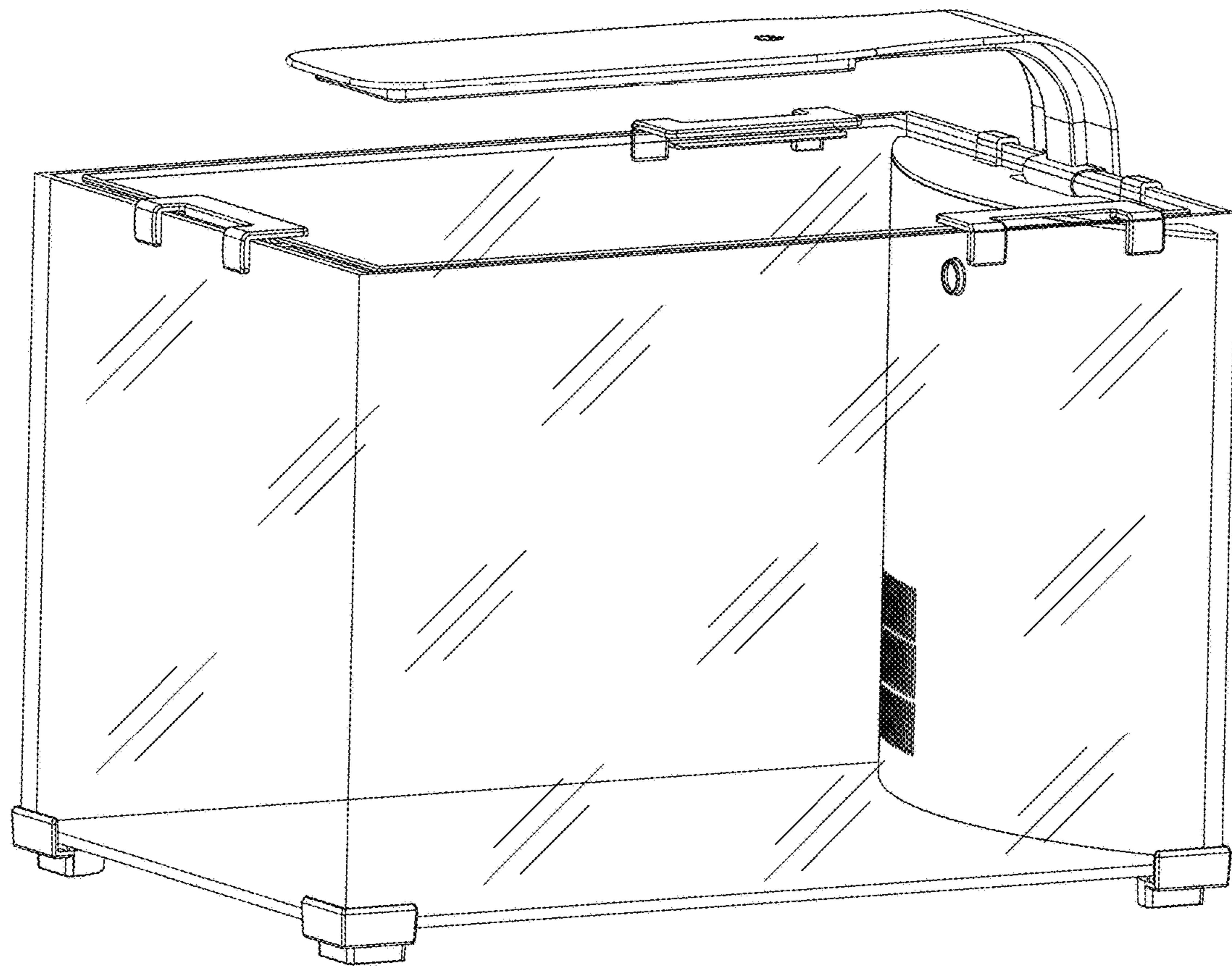


Fig.1

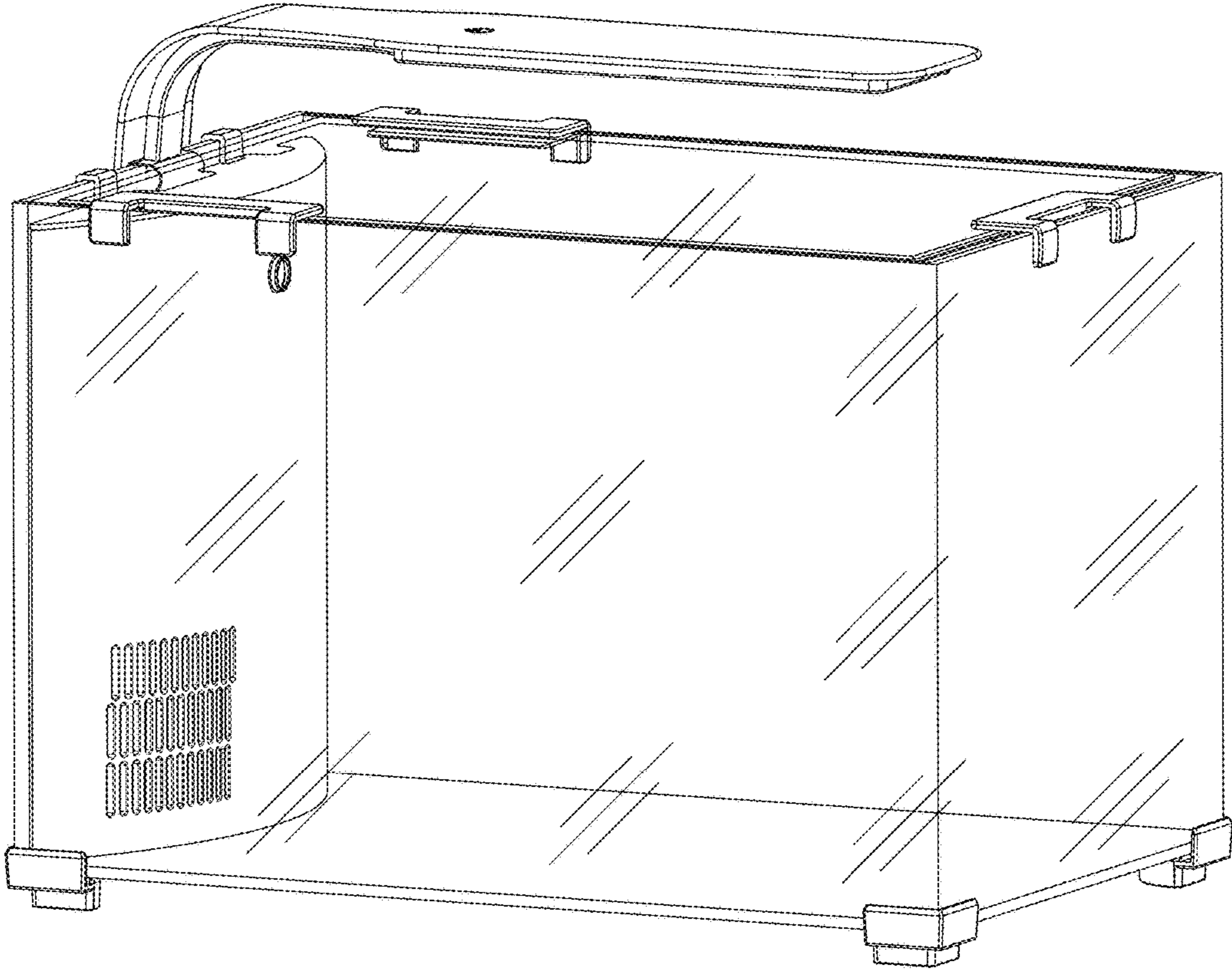


Fig.2

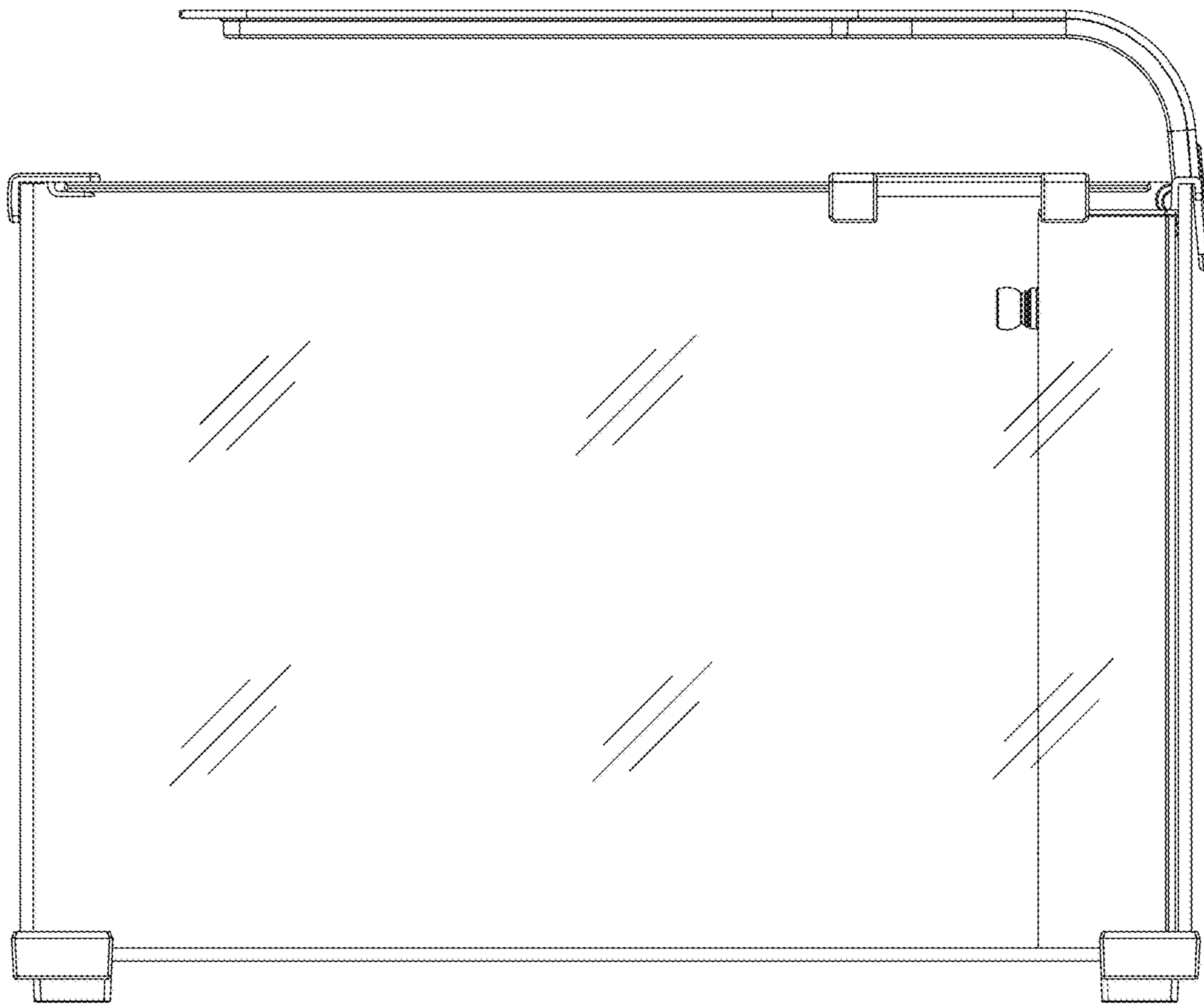


Fig.3

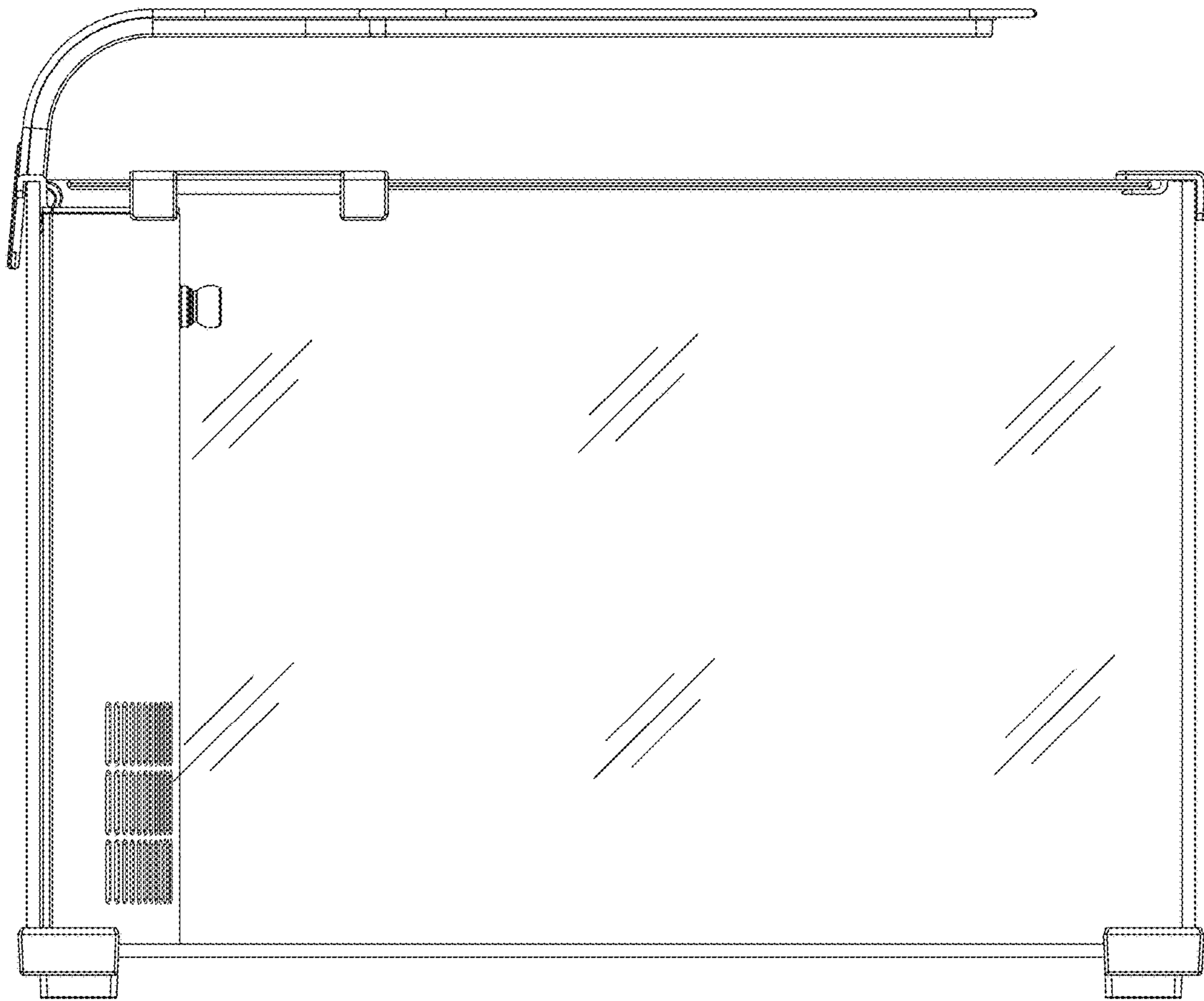


Fig.4

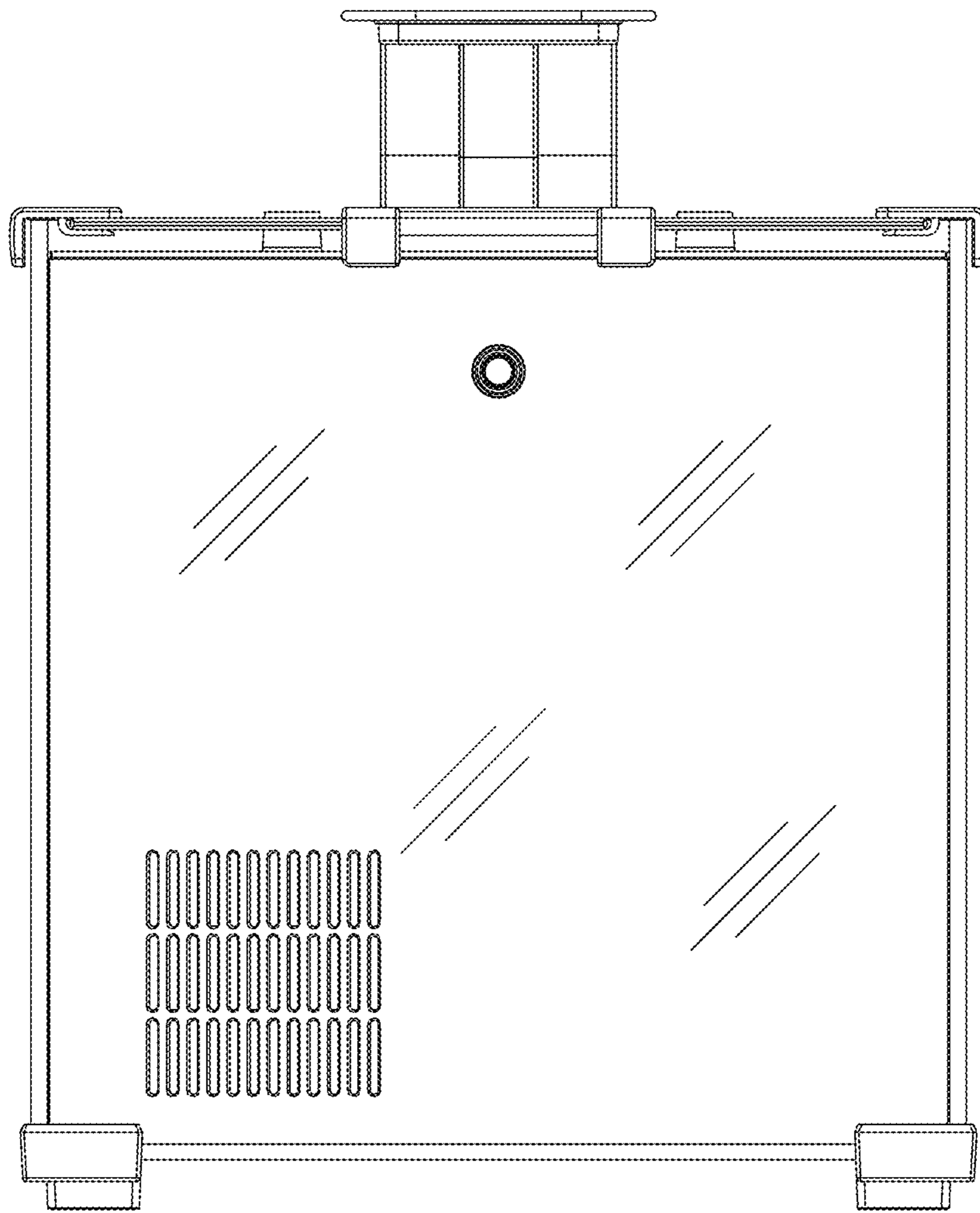


Fig.5

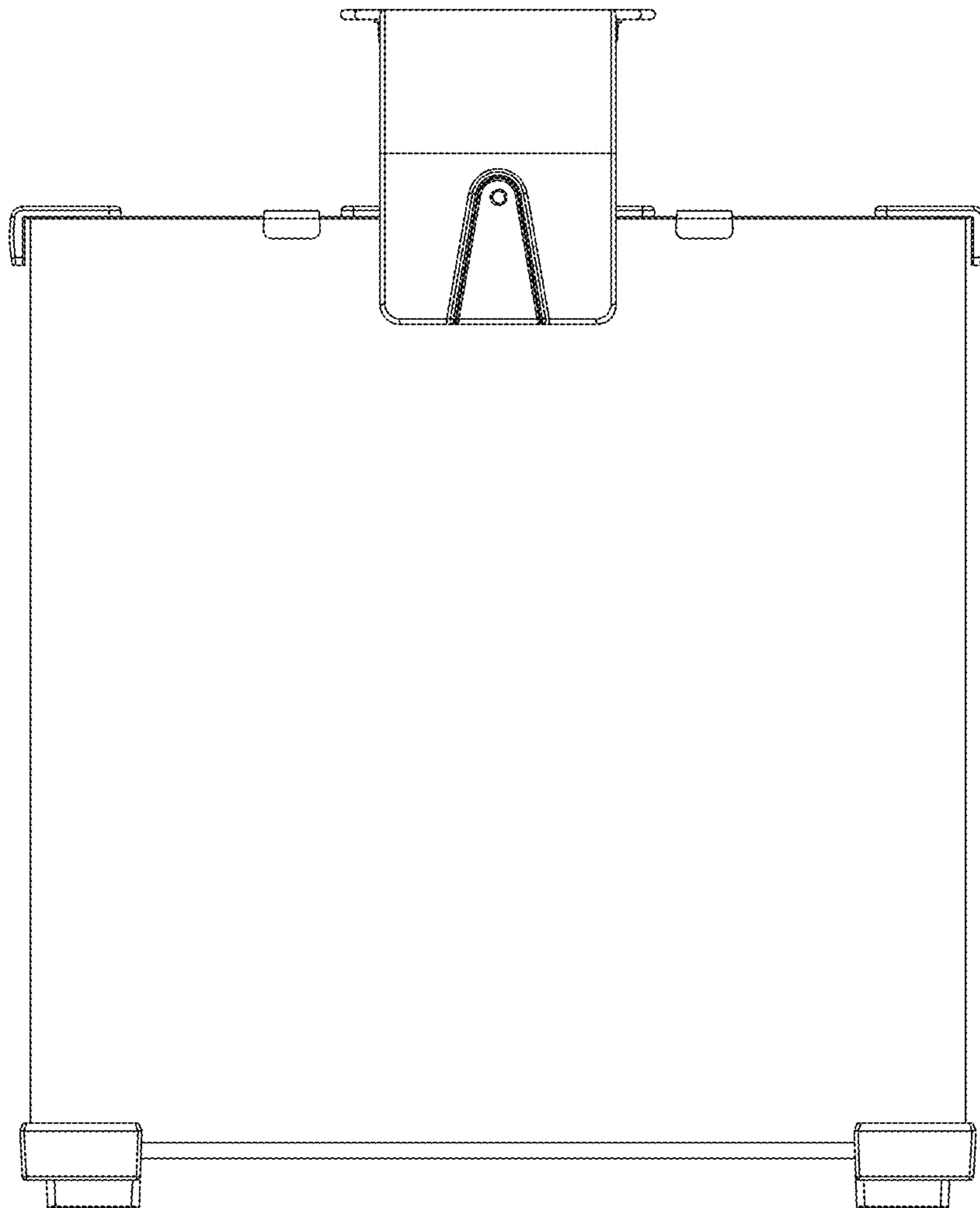


Fig.6

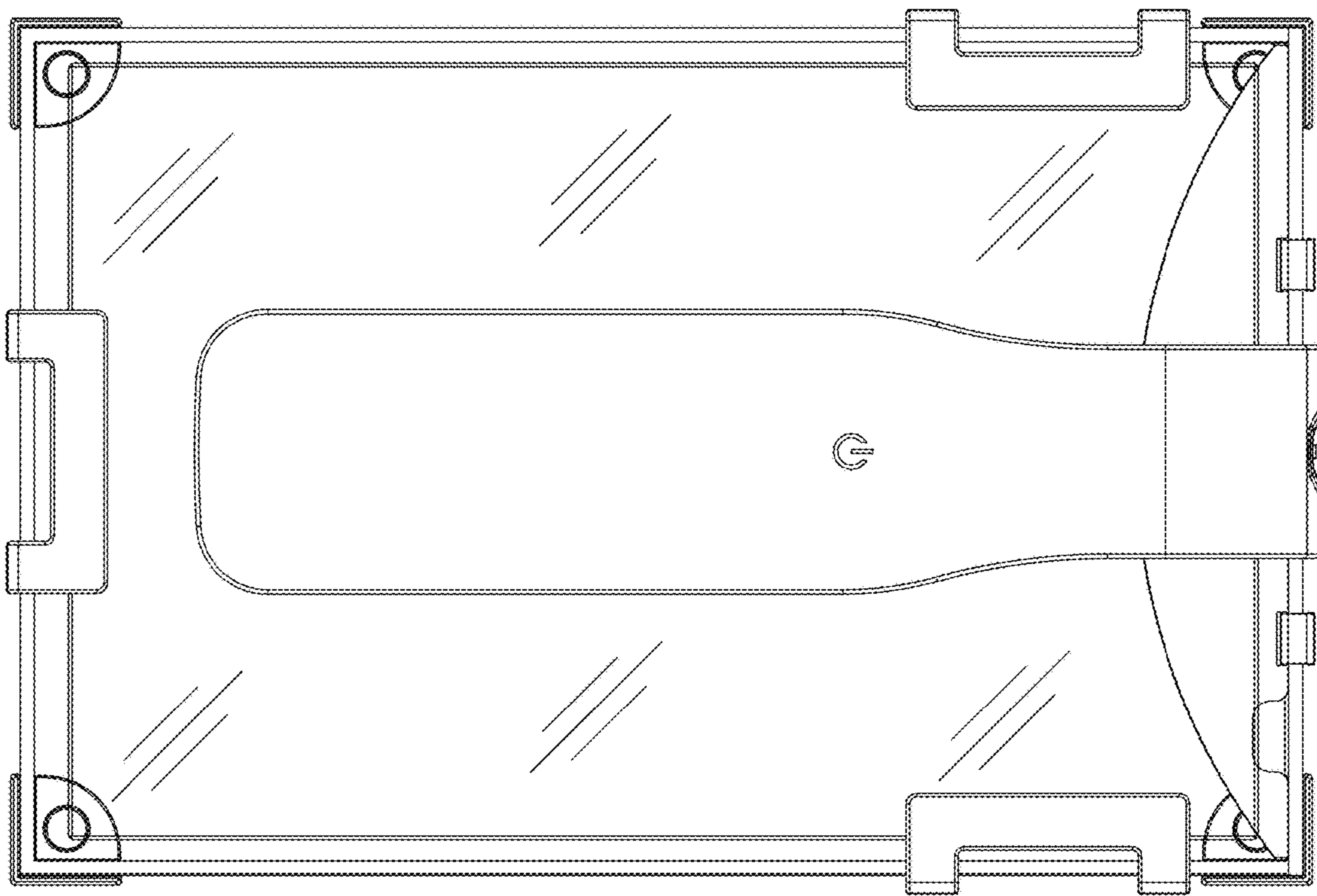


Fig.7