



US00D789618S

(12) **United States Design Patent**  
**Li**

(10) **Patent No.:** **US D789,618 S**

(45) **Date of Patent:** **\*\* Jun. 13, 2017**

(54) **FISH TANK**

(71) Applicant: **Shenzhen Xingrisheng Industrial Co., Ltd.**, Shenzhen (CN)

(72) Inventor: **Liedang Li**, Shenzhen (CN)

(73) Assignee: **SHENZHEN XINGRISHENG INDUSTRIAL CO., LTD.**, Shenzhen (CN)

(\*\*) Term: **14 Years**

(21) Appl. No.: **29/522,817**

(22) Filed: **Apr. 2, 2015**

(30) **Foreign Application Priority Data**

Oct. 24, 2014 (CN) ..... 2014 3 0407465

(51) **LOC (10) Cl.** ..... **30-02**

(52) **U.S. Cl.**  
USPC ..... **D30/101**

(58) **Field of Classification Search**  
USPC ..... D30/101-107  
CPC ..... A01K 63/00; A01K 63/003; A01K 63/02;  
A01K 63/006  
See application file for complete search history.

(56) **References Cited**

**U.S. PATENT DOCUMENTS**

D278,941 S \* 5/1985 Bohnsack ..... D30/101  
5,263,772 A \* 11/1993 Ritzow ..... A01K 63/006  
119/247

D397,521 S \* 8/1998 Gomi ..... D30/101  
D596,808 S \* 7/2009 Belter ..... D30/101  
D655,052 S \* 2/2012 Chen ..... D30/101  
D669,643 S \* 10/2012 Kilroy ..... A01K 63/003  
D30/104  
D756,040 S \* 5/2016 Rathbone ..... D30/101  
2017/0071171 A1\* 3/2017 Hanson ..... A01K 63/006

\* cited by examiner

*Primary Examiner* — Michael A Pratt

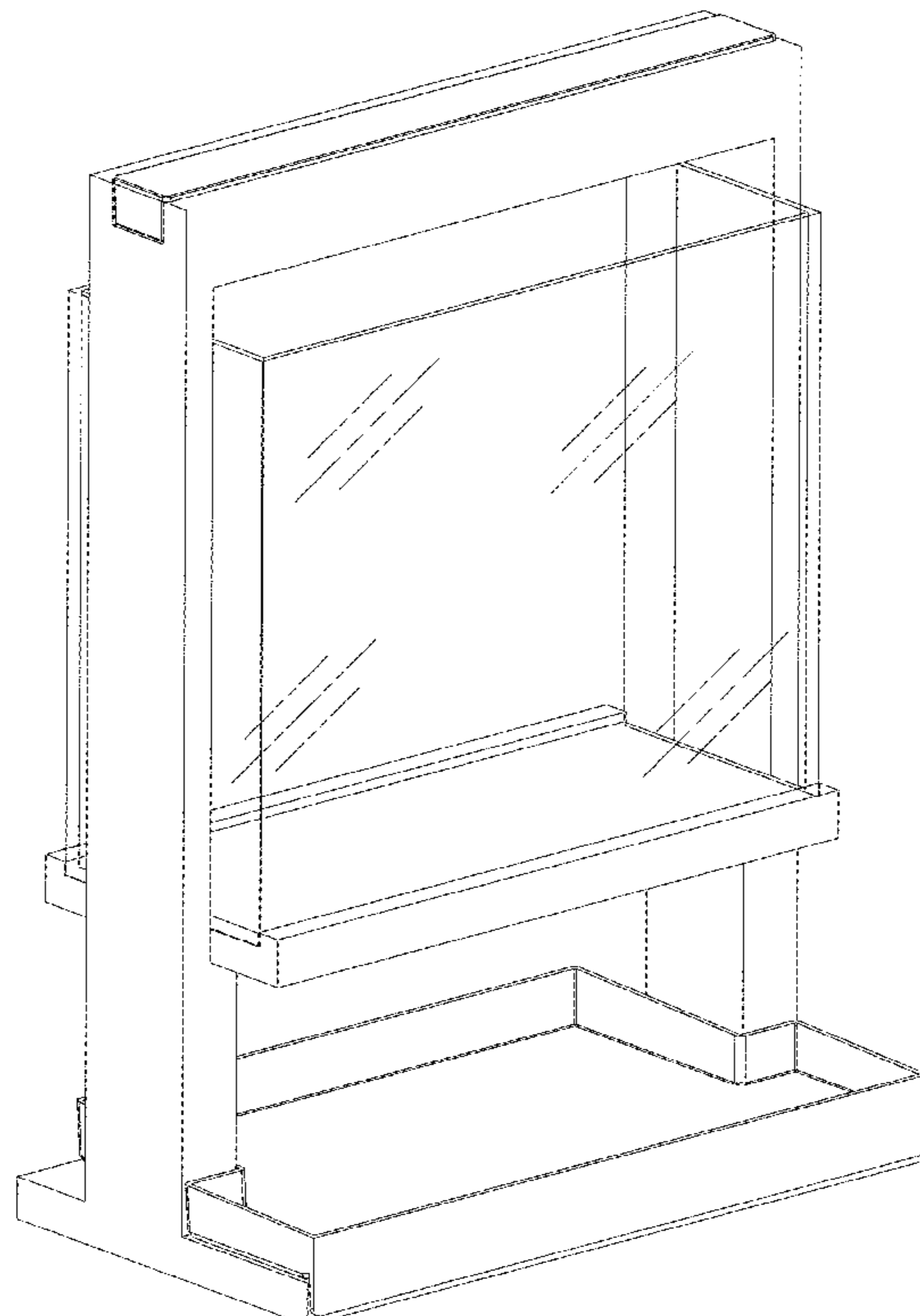
(57) **CLAIM**

The ornamental design for fish tank, as shown and described.

**DESCRIPTION**

FIG. 1 is a perspective view of the fish tank showing my new design;  
FIG. 2 is a perspective view thereof;  
FIG. 3 is a front plan view thereof;  
FIG. 4 is a back plan view thereof;  
FIG. 5 is a left plan view thereof;  
FIG. 6 is a right plan view thereof; and,  
FIG. 7 is an downward plan view thereof.

**1 Claim, 7 Drawing Sheets**



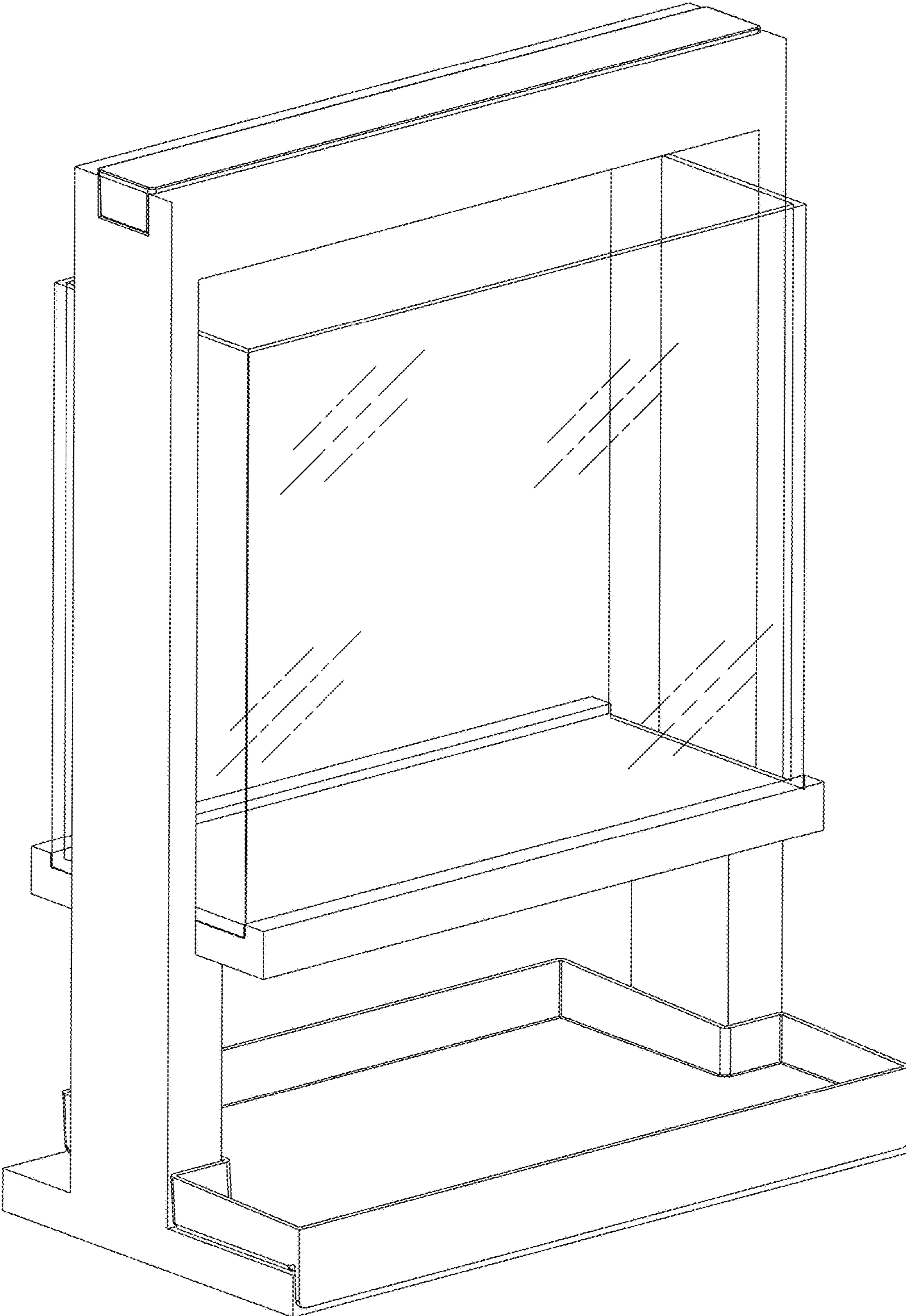


Fig.1

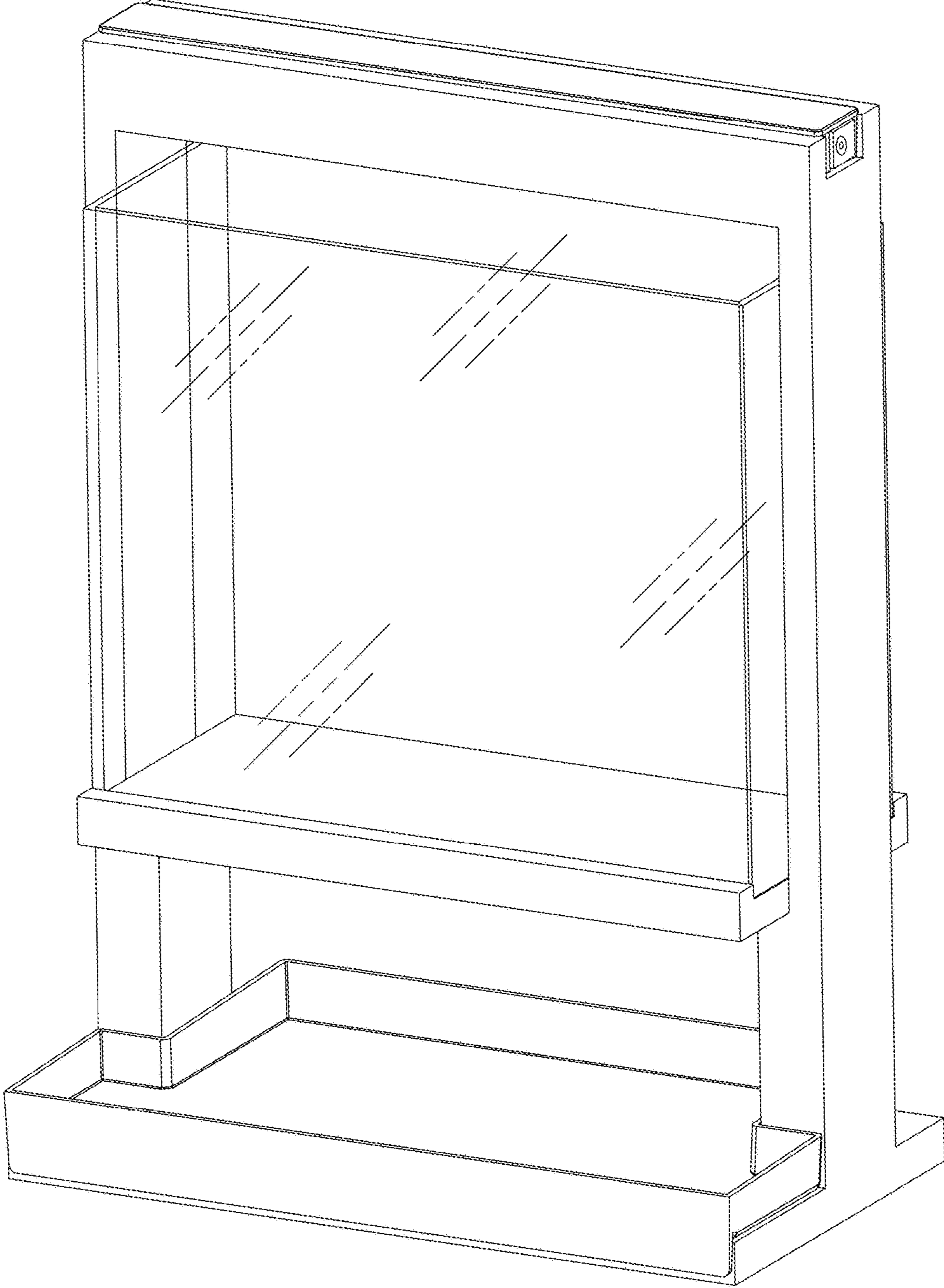


Fig.2

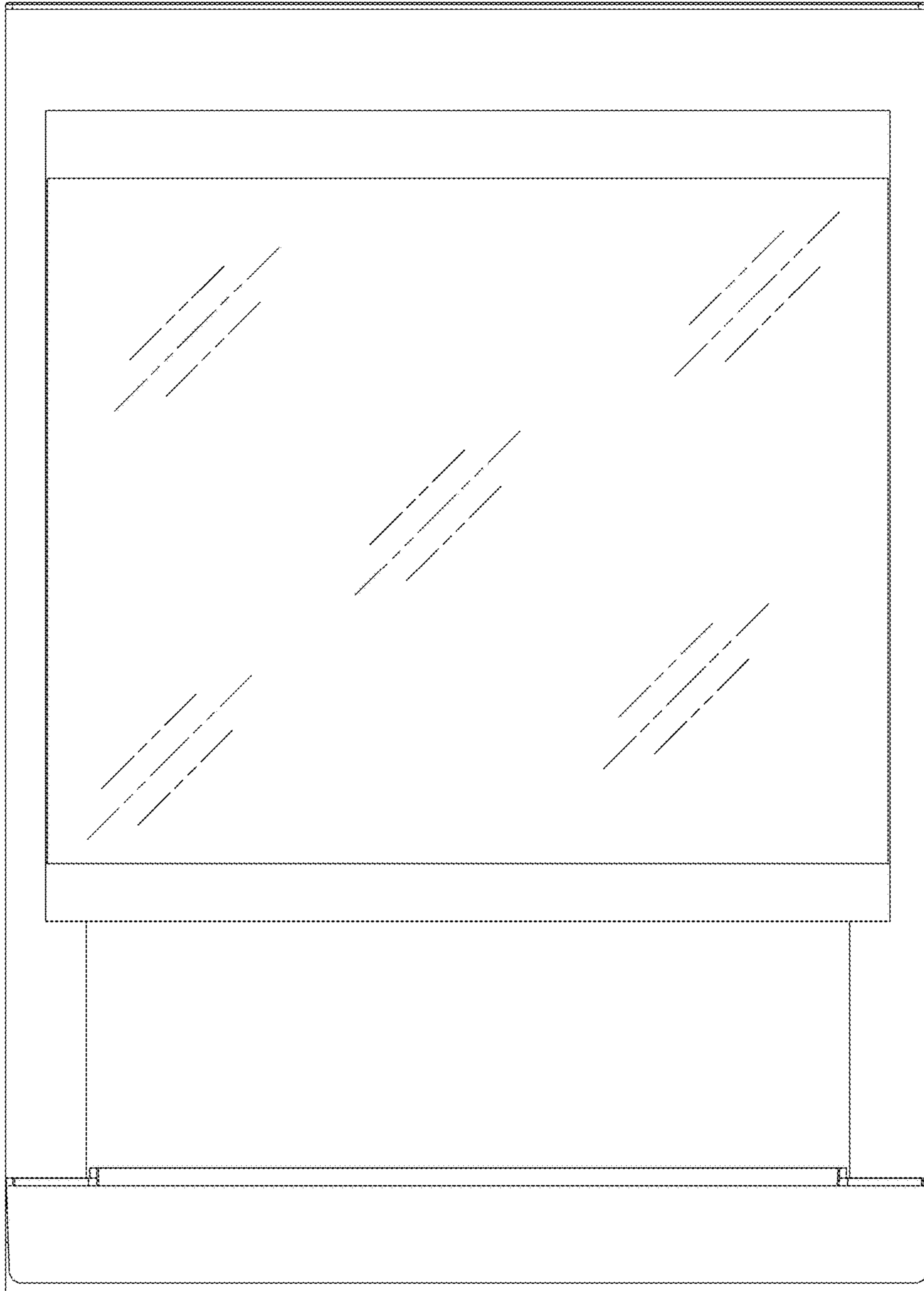


Fig.3

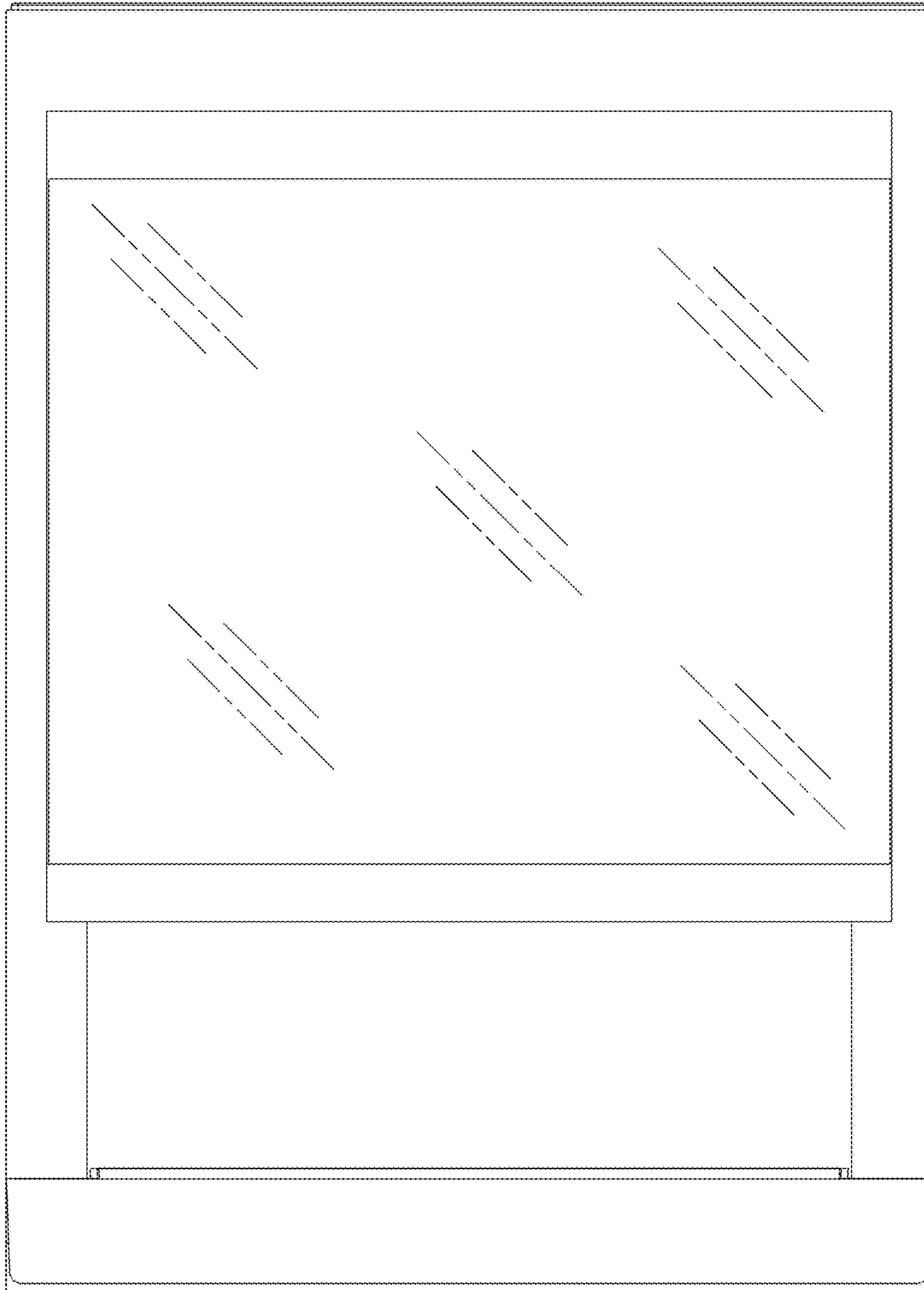


Fig.4



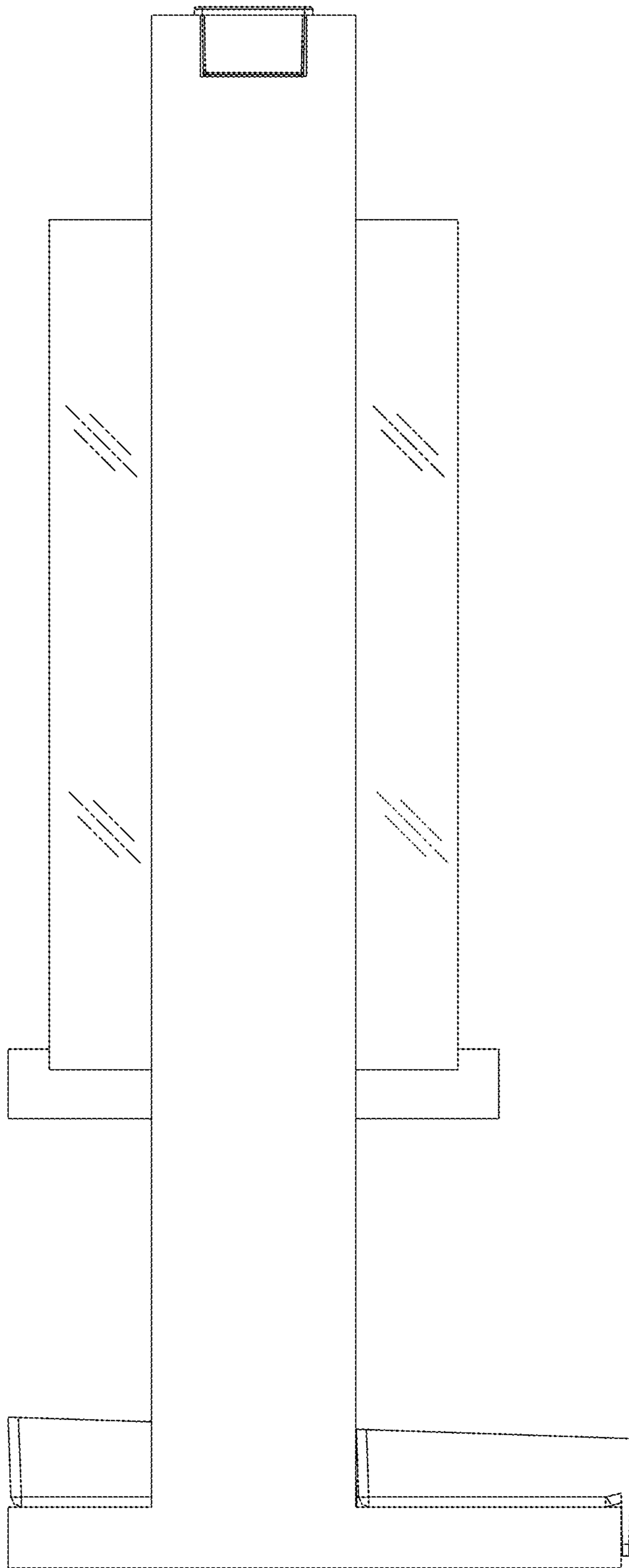


Fig.5

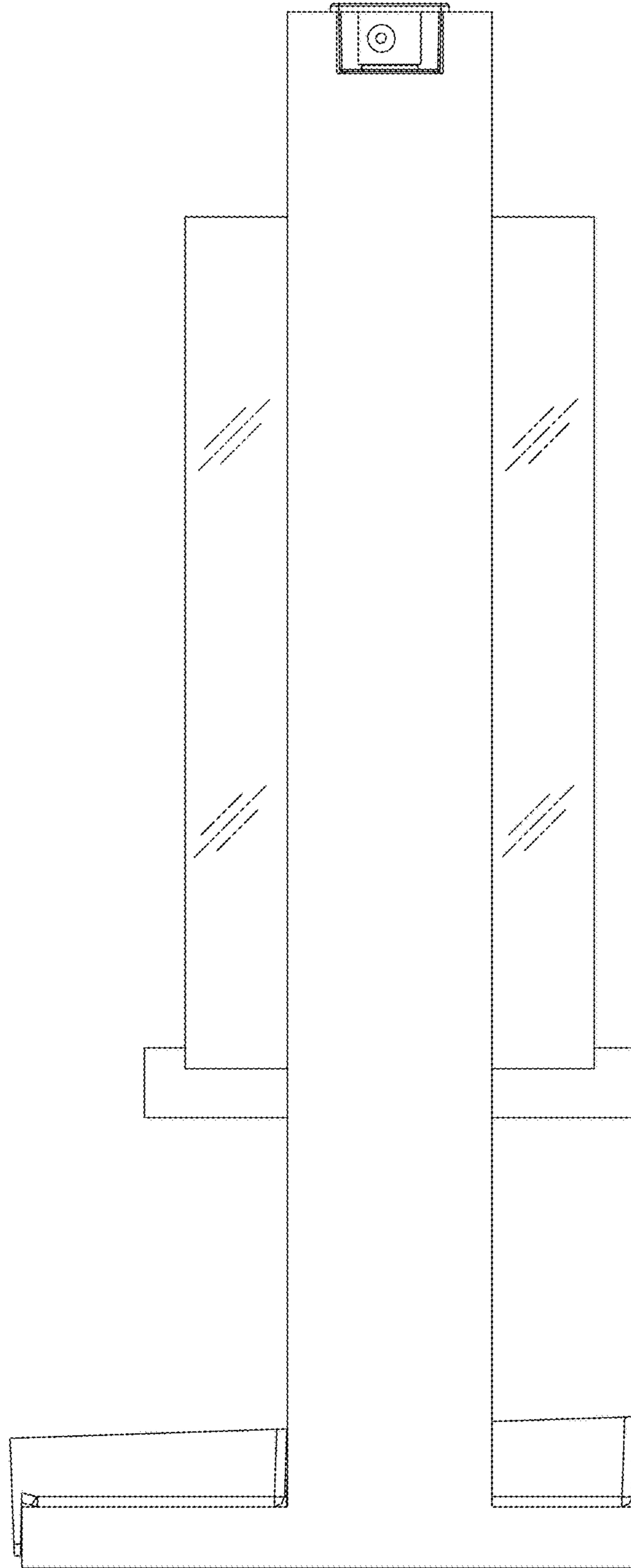


Fig.6

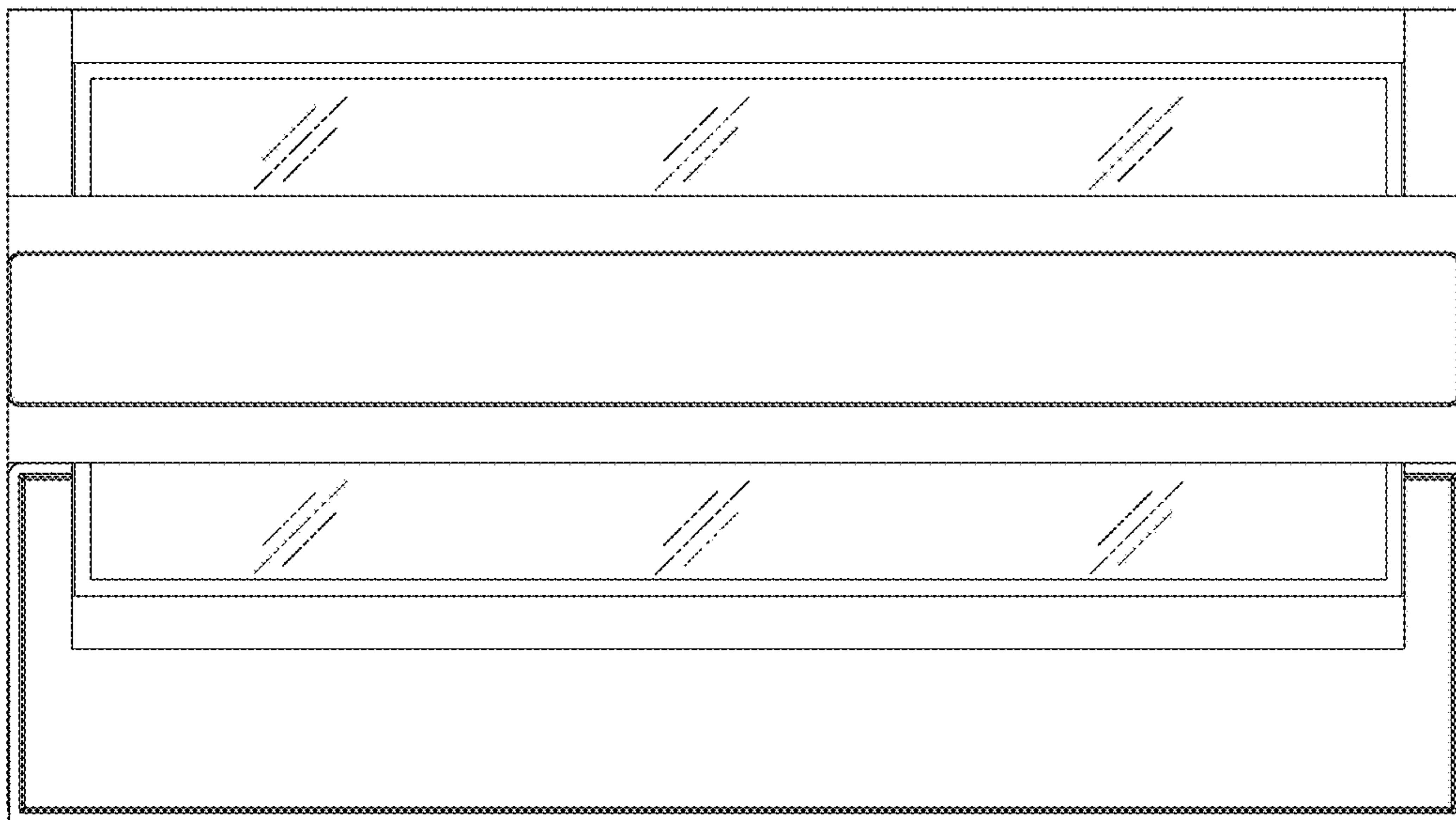


Fig.7