



US00D789617S

(12) **United States Design Patent**
Votel et al.

(10) **Patent No.:** **US D789,617 S**
(45) **Date of Patent:** **** Jun. 13, 2017**

- (54) **KNEE PAD**
- (71) Applicant: **Tenacious Holdings, Inc.**, St. Paul, MN (US)
- (72) Inventors: **Thomas Votel**, Sunfish Lake, MN (US);
Megan Tansom, Stillwater, MN (US);
Jeffrey Popowski, Roseville, MN (US)
- (73) Assignee: **Tenacious Holdings, Inc.**, St. Paul, MN (US)
- (**) Term: **15 Years**
- (21) Appl. No.: **29/569,610**
- (22) Filed: **Jun. 29, 2016**
- (51) **LOC (10) Cl.** **29-02**
- (52) **U.S. Cl.**
USPC **D29/121.1**
- (58) **Field of Classification Search**
USPC D29/10, 11, 100, 101.5, 122; D2/711,
D2/713; 128/95.1, 96.1, 98.1, 846, 891;
602/67, 72, 73, 96, 108, 114; 2/2, 455;
450/38, 228, 267, 403, 405; 623/7;
604/352, 353, 395
CPC A41D 13/05; A41D 13/0525; A63B 71/08
See application file for complete search history.

- 4,287,884 A 9/1981 Applegate
- 4,287,885 A 9/1981 Applegate
- 4,296,744 A 10/1981 Palumbo
- 4,342,185 A 8/1982 Pellew
- 4,344,189 A 8/1982 Futere et al.
- 4,349,214 A 9/1982 Inasawa et al.
- 4,353,362 A 10/1982 DeMarco
- 4,354,280 A 10/1982 Hayes
- 4,370,978 A 2/1983 Palumbo
- 4,373,747 A 2/1983 Takizawa
- 4,407,496 A 10/1983 Johnson
- 4,409,914 A 10/1983 Sansone
- 4,417,750 A 11/1983 Burry
- 4,424,809 A 1/1984 Yovankin
- 4,425,912 A 1/1984 Harper
- 4,445,505 A 5/1984 Labour
- 4,483,533 A 11/1984 Mangiapane
- 4,484,361 A 11/1984 Leighton et al.
- 4,488,314 A 12/1984 Johnson
- 4,490,855 A 1/1985 Figgie, III et al.
- 4,506,661 A 3/1985 Foster

(Continued)

Primary Examiner — Randall Gholson

(74) *Attorney, Agent, or Firm* — Skaar Ulbrich Macari, P.A.

(57) **CLAIM**

The ornamental design for a knee pad, as shown and described.

DESCRIPTION

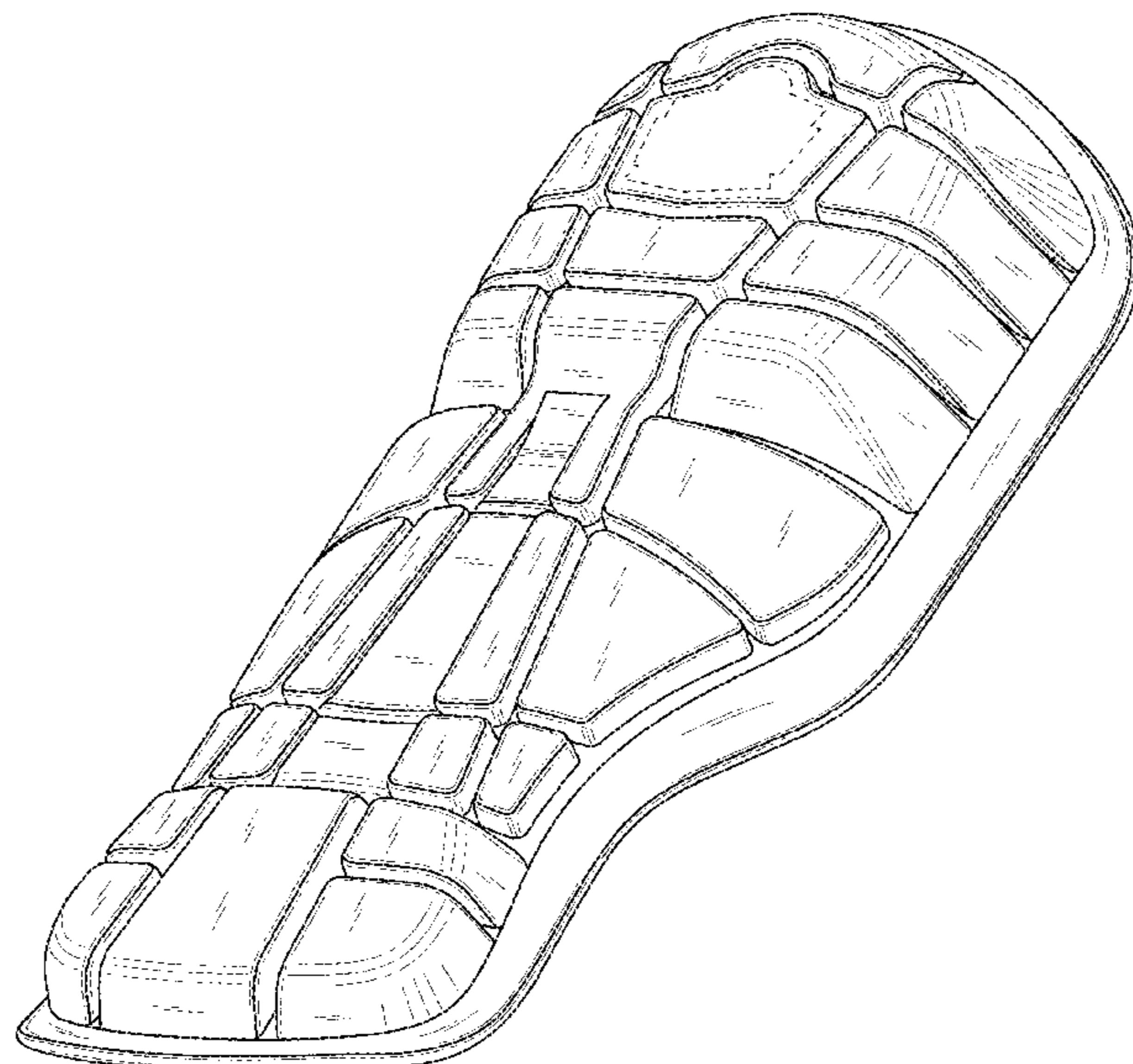
FIG. 1 is a front perspective of a knee pad showing our new design;
 FIG. 2 is a front elevation view thereof;
 FIG. 3 is a back elevation view thereof;
 FIG. 4 is a top plan view thereof;
 FIG. 5 is a bottom plan view thereof; and,
 FIG. 6 is a side elevation view thereof.
 The broken lines represent the portions of the design that form no part of the claim.

1 Claim, 6 Drawing Sheets

(56) **References Cited**

U.S. PATENT DOCUMENTS

- 1,486,308 A 3/1924 Shook
- 1,862,303 A 6/1932 Glahe
- 2,785,407 A * 3/1957 Reeder A63B 71/08
2/22
- 3,965,486 A 6/1976 Lightbody
- 4,116,236 A 9/1978 Albert
- 4,212,493 A 7/1980 Ledesky
- 4,231,604 A 11/1980 Oberfell
- 4,250,578 A 2/1981 Barlow



(56)

References Cited

U.S. PATENT DOCUMENTS

4,561,123 A	12/1985	Hull	5,309,570 A	5/1994	Grimm
4,561,124 A	12/1985	Thompson	5,323,954 A	6/1994	Shetty et al.
4,566,693 A	1/1986	Seidentop et al.	5,328,652 A	7/1994	Thomson
4,580,297 A	4/1986	Maejima	5,446,926 A	9/1995	Bourque et al.
4,583,555 A	4/1986	Malcom et al.	5,477,559 A	12/1995	Clement
4,593,416 A	6/1986	Figgie, III et al.	5,500,955 A	3/1996	Gongea
4,607,628 A	8/1986	Dashefsky	5,524,292 A	6/1996	Hargens
4,619,055 A	10/1986	Davidson	5,527,268 A	6/1996	Gildersleeve et al.
4,619,619 A	10/1986	Muse, Jr.	5,537,689 A	7/1996	Dancyger
4,624,247 A	11/1986	Ford	5,560,041 A	10/1996	Walker
4,627,653 A	12/1986	Koroyasu	5,586,970 A	12/1996	Morris
4,633,867 A	1/1987	Kausek	5,594,954 A	1/1997	Huang
4,648,849 A	3/1987	Monreal	5,628,063 A	5/1997	Reed
4,673,408 A	6/1987	Grobbelaar	5,711,029 A	1/1998	Visco et al.
4,692,946 A	9/1987	Jurga	5,716,120 A	2/1998	Hung
4,693,241 A	9/1987	Trznadel	5,732,412 A	3/1998	Holden
4,700,698 A	10/1987	Kleylein	5,792,084 A	8/1998	Wilson
4,706,302 A	11/1987	Padfield et al.	5,870,774 A	2/1999	Legenstein
4,709,943 A	12/1987	Yoshimura et al.	D408,596 S *	4/1999	Dancyger D29/121.1
4,722,356 A	2/1988	Rehder	5,896,580 A	4/1999	Aldrich
4,723,322 A	2/1988	Shelby	5,915,529 A	6/1999	Popowski
4,725,055 A	2/1988	Skowronski	5,937,440 A	8/1999	Ferriter
4,725,056 A	2/1988	Rehrl et al.	5,987,643 A	11/1999	Beutler
4,726,361 A	2/1988	Farley	6,029,273 A	2/2000	McCrane
4,756,026 A	7/1988	Pierce, Jr.	6,058,505 A	5/2000	Bettencourt
4,756,713 A	7/1988	Cooper	6,070,267 A	6/2000	McKewin
4,772,071 A	9/1988	Richards	6,223,350 B1	5/2001	McFarlane
4,781,179 A	11/1988	Colbert	6,253,376 B1	7/2001	Ritter
4,784,121 A	11/1988	Brooks	6,374,410 B2	4/2002	Adamson
4,796,303 A	1/1989	Atwater	6,401,245 B1	6/2002	Slautterback
4,796,610 A	1/1989	Cromartie	6,401,846 B1	6/2002	Takenaka et al.
4,802,466 A	2/1989	Meyers et al.	6,413,232 B1	7/2002	Townsend et al.
4,809,997 A	3/1989	Owens	6,427,239 B1	8/2002	Worden
4,817,912 A	4/1989	McCabe	6,438,754 B1	8/2002	Canney
4,865,270 A	9/1989	Miller	6,584,616 B2	7/2003	Godshaw et al.
4,867,140 A	9/1989	Hovis et al.	D481,175 S	10/2003	Keen, Sr.
4,870,956 A	10/1989	Fatool et al.	6,637,034 B1	10/2003	Worden
4,876,745 A	10/1989	Richards	6,654,962 B2	12/2003	DeMott
4,879,765 A	11/1989	Bailie et al.	D492,068 S	6/2004	Peterson et al.
4,914,753 A	4/1990	Chang	D494,324 S	8/2004	Mundy et al.
4,926,884 A	5/1990	Lonardo	6,820,279 B2	11/2004	Lesosky
4,928,670 A	5/1990	DeLorenzo	D500,395 S	12/2004	Yang
4,940,044 A	7/1990	Castillo	6,851,124 B2	2/2005	Munoz et al.
4,940,045 A	7/1990	Cromartie	6,854,129 B2	2/2005	Mazzarolo
4,959,071 A	9/1990	Brown et al.	D504,981 S	5/2005	Vanderhoef
5,024,216 A	6/1991	Shiono	6,988,999 B1	1/2006	Lin
5,031,240 A	7/1991	Nierhaus	D516,254 S	2/2006	Shircliff
5,042,464 A	8/1991	Skwor et al.	7,096,508 B2	8/2006	Lesosky
5,073,986 A	12/1991	Farrago	7,114,188 B1	10/2006	Teigen
5,077,837 A	1/1992	Meistrell	7,181,770 B2	2/2007	Godshaw
5,078,127 A	1/1992	Daneman et al.	7,296,301 B1	11/2007	Conn
5,090,055 A	2/1992	McElroy	D560,043 S	1/2008	Nishi
5,107,823 A	4/1992	Fratesi	7,376,978 B2	5/2008	Godshaw
5,129,696 A	7/1992	Underwood	7,448,088 B2	11/2008	Miller
5,133,254 A	7/1992	Kirkwood	7,451,493 B2	11/2008	Godshaw
5,172,425 A	12/1992	Smith	D589,591 S	3/2009	Ugone
5,172,925 A	12/1992	Kendrick et al.	D590,546 S	4/2009	Lujan
5,190,513 A	3/1993	Habing et al.	D590,998 S	4/2009	Feeley et al.
5,198,308 A	3/1993	Shetty et al.	D591,391 S	4/2009	Ugone
5,219,324 A	6/1993	Hall	D591,392 S	4/2009	Ugone
5,220,691 A	6/1993	Wiegers	D602,232 S	10/2009	Dugan
5,222,256 A	6/1993	Wang	7,681,248 B2	3/2010	Legenstein
5,226,191 A	7/1993	Mitchell	7,707,649 B2	5/2010	Dancyger
5,230,697 A	7/1993	Castillo et al.	7,793,979 B2	9/2010	Kraimer et al.
5,236,333 A	8/1993	Barba	D626,293 S	10/2010	Pacetti
5,248,292 A	9/1993	Holland	7,841,019 B2	11/2010	Godshaw et al.
5,255,391 A	10/1993	Levine	7,845,017 B2	12/2010	Godshaw et al.
5,259,832 A	11/1993	Townsend	7,850,632 B2	12/2010	Gilmour
5,275,179 A	1/1994	Lonardo	7,874,017 B2	1/2011	Jones
5,277,697 A	1/1994	France et al.	7,882,568 B2	2/2011	Fee
5,280,956 A	1/1994	Tanaka et al.	7,913,319 B1	3/2011	Iannace
5,288,057 A	2/1994	Listau	D636,131 S	4/2011	Johnson
5,288,287 A	2/1994	Castillo et al.	D638,995 S	5/2011	Hanlon
5,289,830 A	3/1994	Levine	7,937,769 B2	5/2011	Richards
5,306,229 A	4/1994	Brandt et al.	D641,107 S	7/2011	Bonner
			7,975,634 B1	7/2011	Dugan
			D643,156 S	8/2011	Harris
			7,987,518 B2	8/2011	Calderwood
			8,034,010 B1	10/2011	Sauer

(56)

References Cited

U.S. PATENT DOCUMENTS

8,407,812 B2	4/2013	Godshaw et al.	2006/0277642 A1	12/2006	Legenstein
D687,154 S	7/2013	Chen	2006/0277643 A1	12/2006	Legenstein
D716,001 S	10/2014	Collins	2007/0118948 A1	5/2007	Godshaw
D717,499 S	11/2014	Stauber	2007/0163025 A1	7/2007	Godshaw
D732,749 S *	6/2015	Vito D29/121.1	2007/0192922 A1	8/2007	Dancyger
9,144,253 B1	9/2015	Munter et al.	2007/0294805 A1	12/2007	Miller
D741,552 S	10/2015	Vito et al.	2008/0021363 A1	1/2008	Fee
D741,553 S	10/2015	Vito et al.	2008/0072359 A1	3/2008	Godshaw et al.
D759,401 S	6/2016	Richards	2008/0168589 A1	7/2008	Richards
9,433,247 B1	9/2016	Harris	2008/0289073 A1	11/2008	Jones
2002/0013962 A1	2/2002	Adamson	2010/0154094 A1	6/2010	Calderwood
2002/0096811 A1	7/2002	Callsen et al.	2011/0061142 A1	3/2011	Hoppins et al.
2003/0005505 A1	1/2003	DeMott	2011/0131696 A1	6/2011	Godshaw et al.
2003/0019006 A1	1/2003	Godshaw et al.	2012/0117706 A1	5/2012	Tateo
2003/0115655 A1	6/2003	Munoz et al.	2012/0227150 A1	9/2012	Brown
2004/0181842 A1	9/2004	Mazzarolo	2012/0240303 A1	9/2012	Matta et al.
2005/0081274 A1	4/2005	Vorhis	2012/0260392 A1	10/2012	Votel et al.
2006/0041985 A1	3/2006	Godshaw	2014/0182040 A1	7/2014	Richards
2006/0041986 A1	3/2006	Godshaw	2014/0182041 A1	7/2014	Archuleta
			2014/0283275 A1	9/2014	Pratson et al.
			2015/0089706 A1	4/2015	Cunningham

* cited by examiner

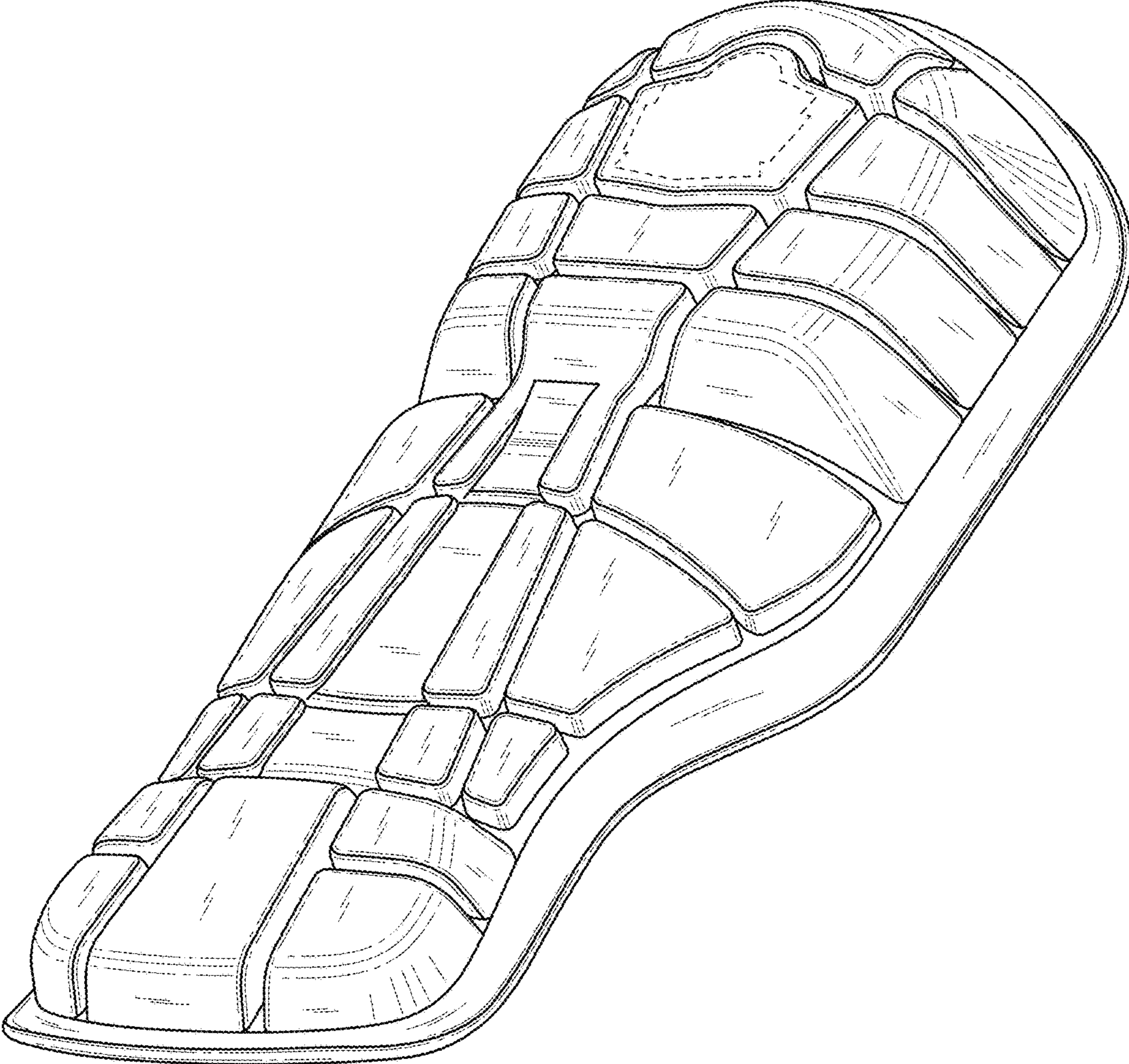


Fig. 1

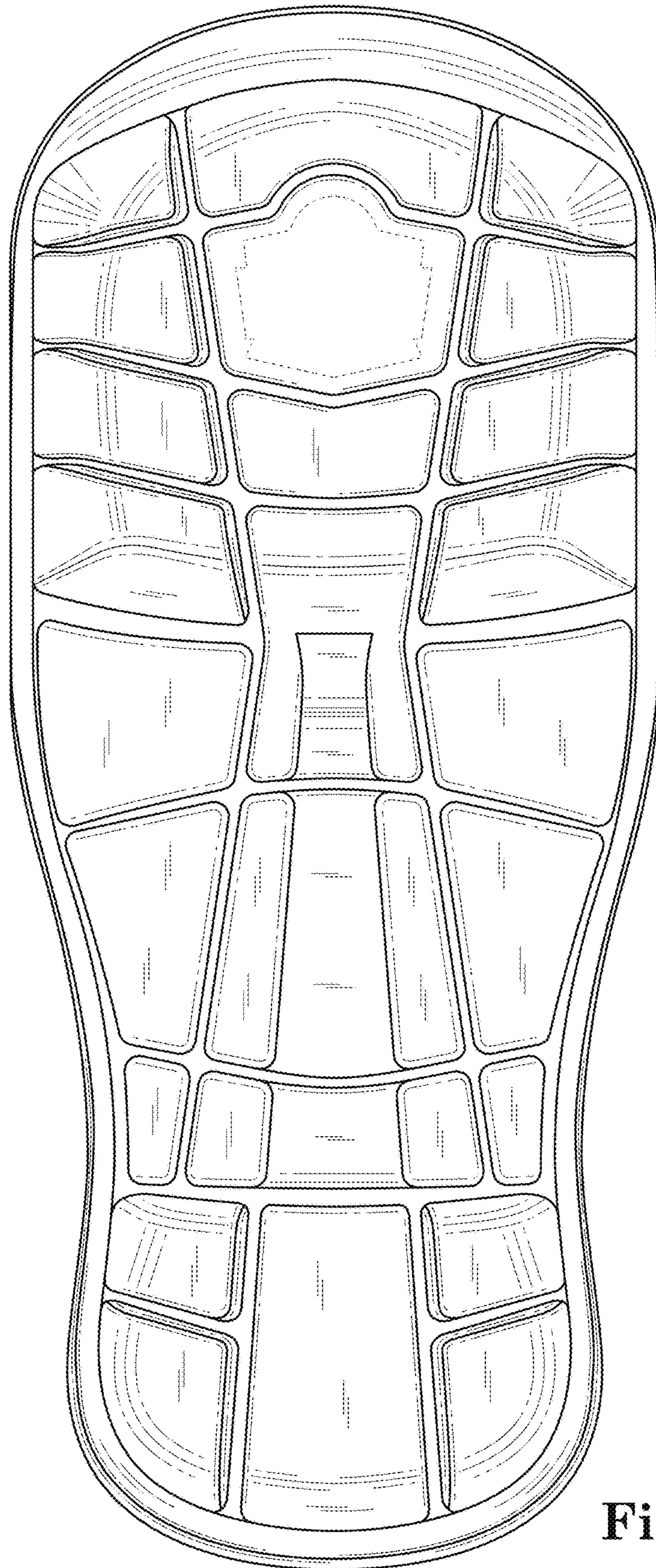


Fig. 2

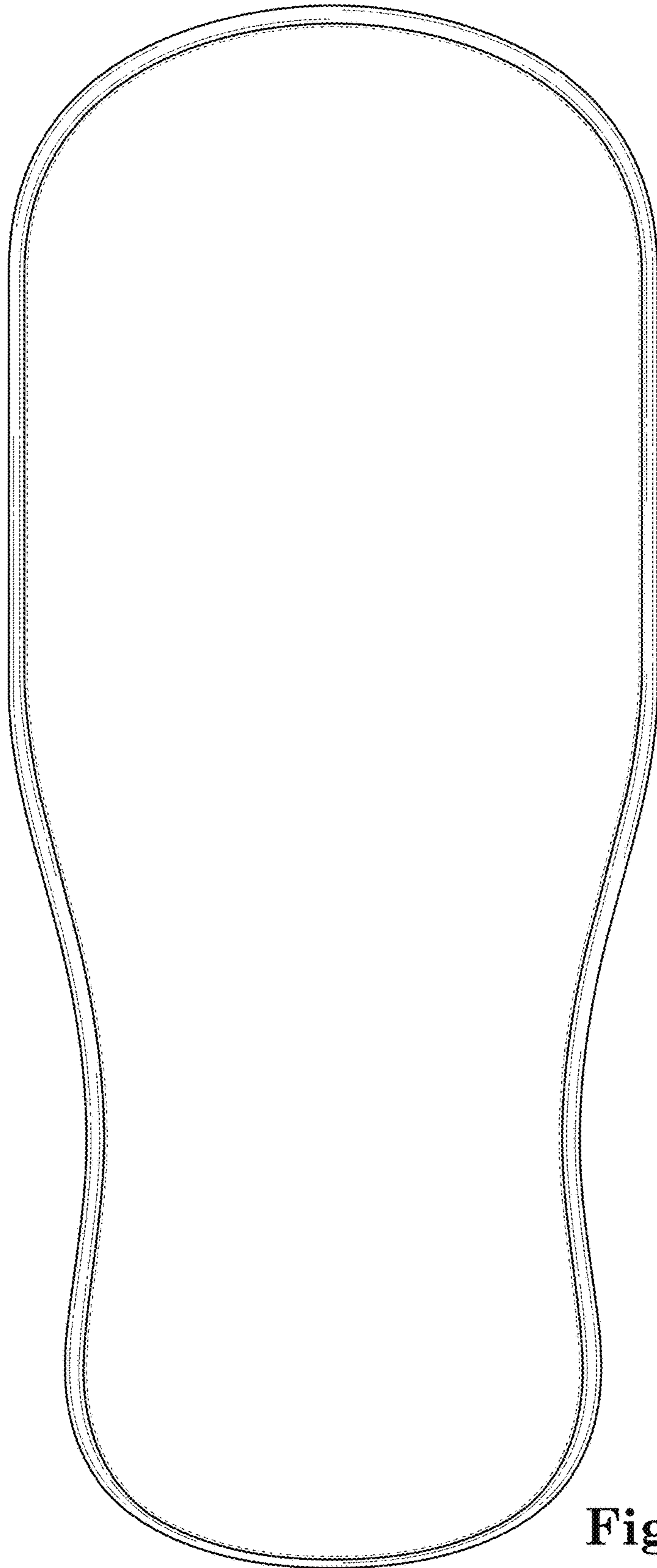


Fig. 3

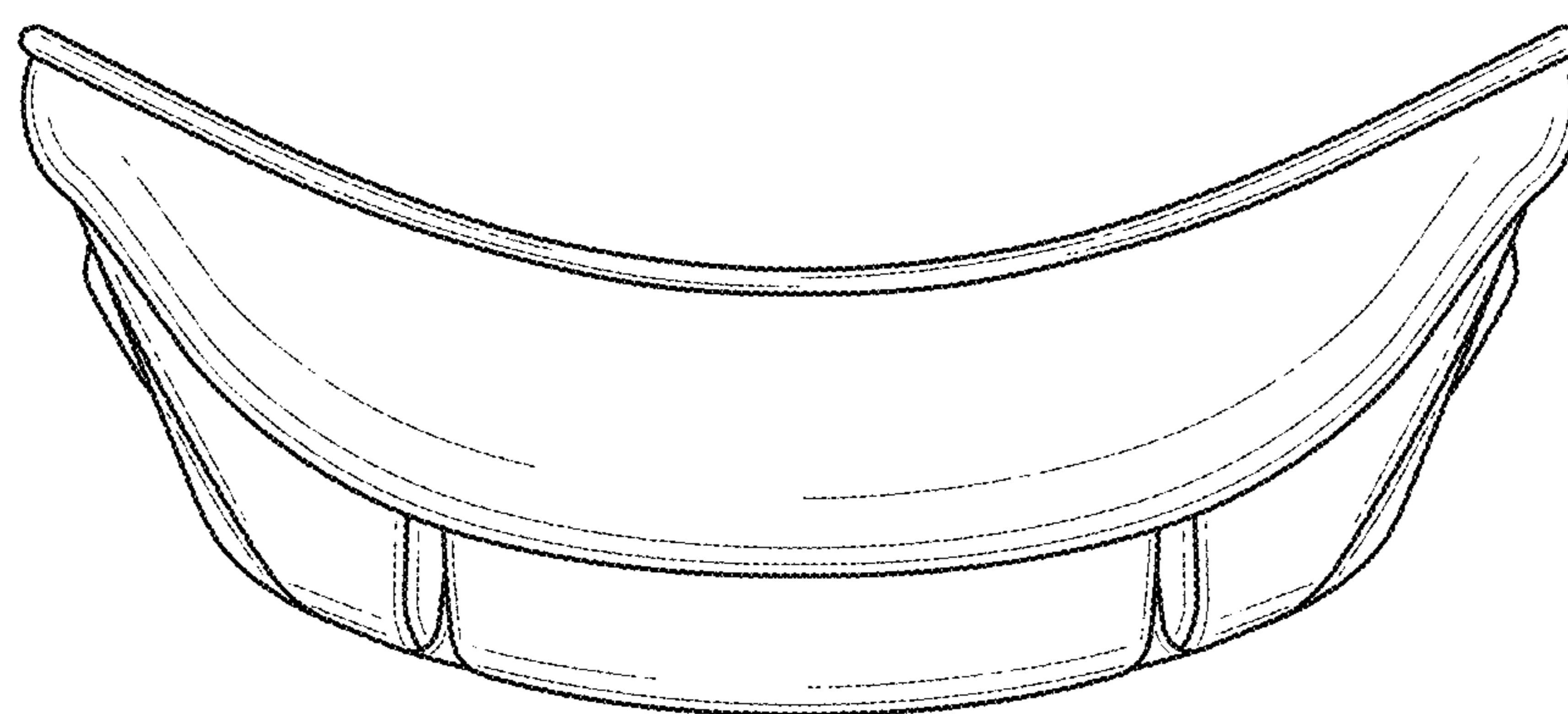


Fig. 4

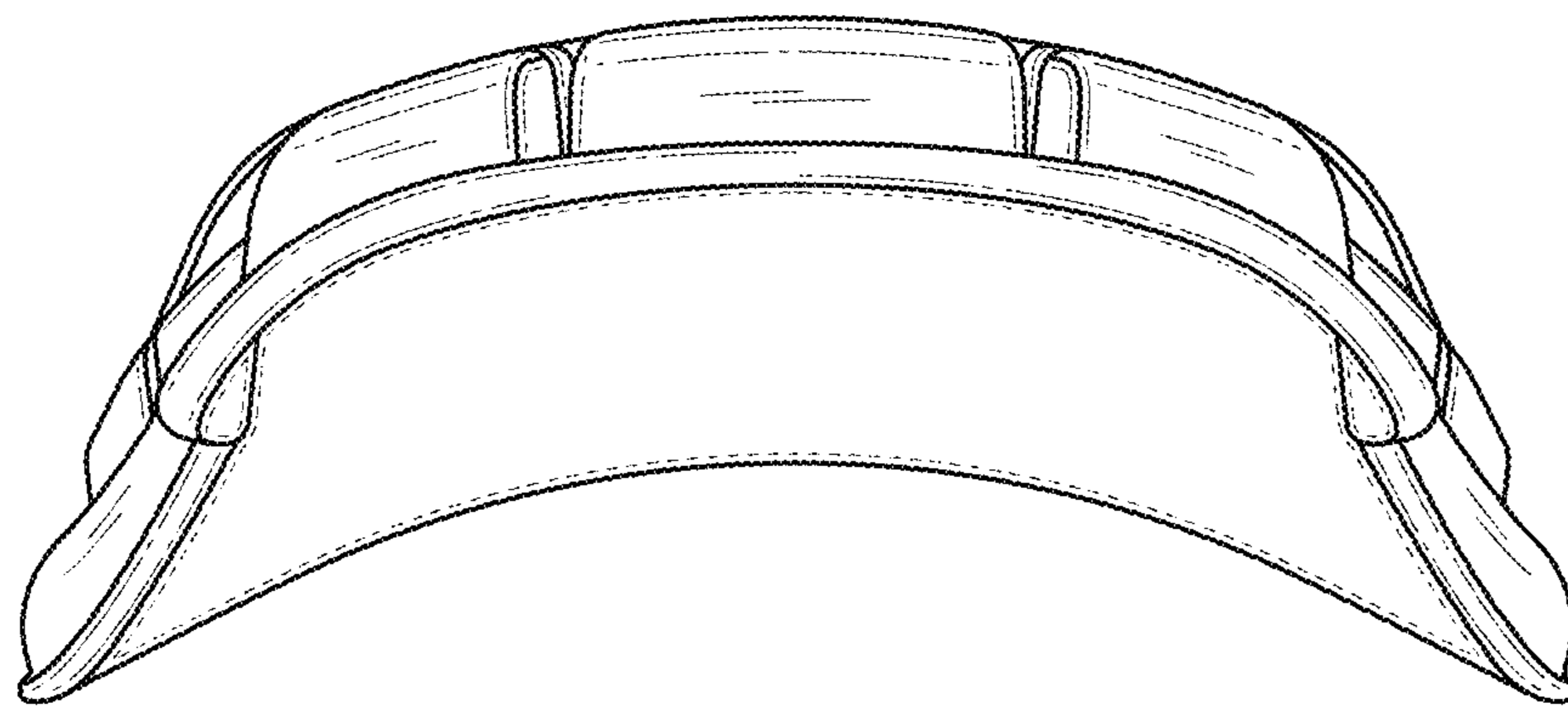


Fig. 5

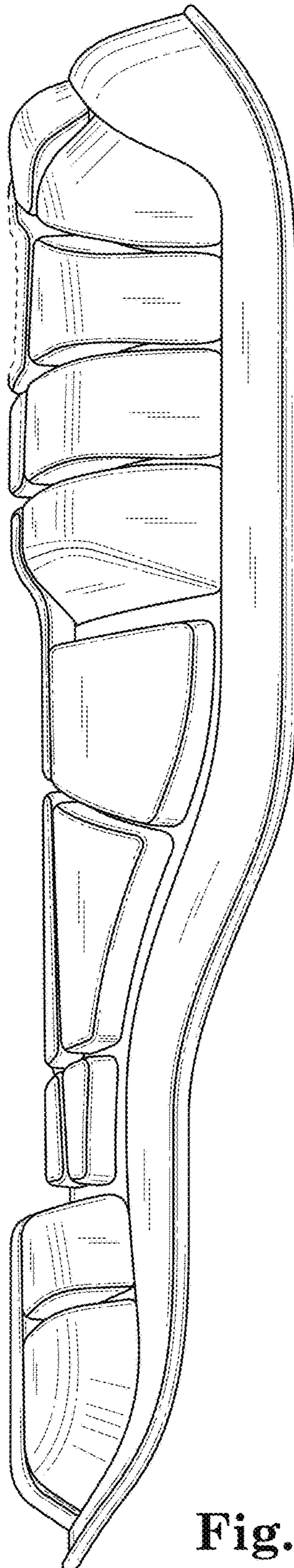


Fig. 6