



US00D789611S

(12) **United States Design Patent** (10) **Patent No.:** **US D789,611 S**
Filho et al. (45) **Date of Patent:** **** Jun. 13, 2017**

(54) **CLEANING AND DRYING TOOL FOR COSMETIC BRUSHES**

(71) Applicant: **Sigma Enterprises, LLC**, New Brighton, MN (US)

(72) Inventors: **Rene Xavier Filho**, Fort Lauderdale, FL (US); **Simone Oliveira Rodrigues Xavier**, Fort Lauderdale, FL (US)

(73) Assignee: **Sigma Enterprises, LLC**, New Brighton, MN (US)

(**) Term: **15 Years**

(21) Appl. No.: **29/541,641**

(22) Filed: **Oct. 6, 2015**

(51) **LOC (10) Cl.** **28-03**

(52) **U.S. Cl.**
USPC **D28/73**

(58) **Field of Classification Search**
USPC D3/304, 310, 311, 313, 314, 315, 903, D3/901; D28/17, 18, 9, 61, 62, 73, 99; D19/105, 75, 101, 102; D8/71, 373, 366, D8/256, 376, 38, 395, 396, 354; D6/512, D6/513, 514, 524, 527, 531; D7/600.1
CPC ... A45D 20/14; A45D 2020/126; A45D 20/12
See application file for complete search history.

(56) **References Cited**

U.S. PATENT DOCUMENTS

D61,841 S 2/1867 Lewis
530,386 A 12/1894 Boeckh
634,570 A 10/1899 Briggs
(Continued)

FOREIGN PATENT DOCUMENTS

CN 2448274 Y 9/2001
CN 2868178 Y 2/2007
(Continued)

OTHER PUBLICATIONS

Amazon, "Sigma Beauty Dry'n Shape", First sold on May 29, 2011, Accessed Nov. 7, 2016. (<https://www.amazon.com/Sigma-Beauty-DS01-Dryn-Shape/dp/B0050CFD10>).*

(Continued)

Primary Examiner — Jennifer Rivard

Assistant Examiner — April Rivas

(74) *Attorney, Agent, or Firm* — Dorsey & Whitney LLP

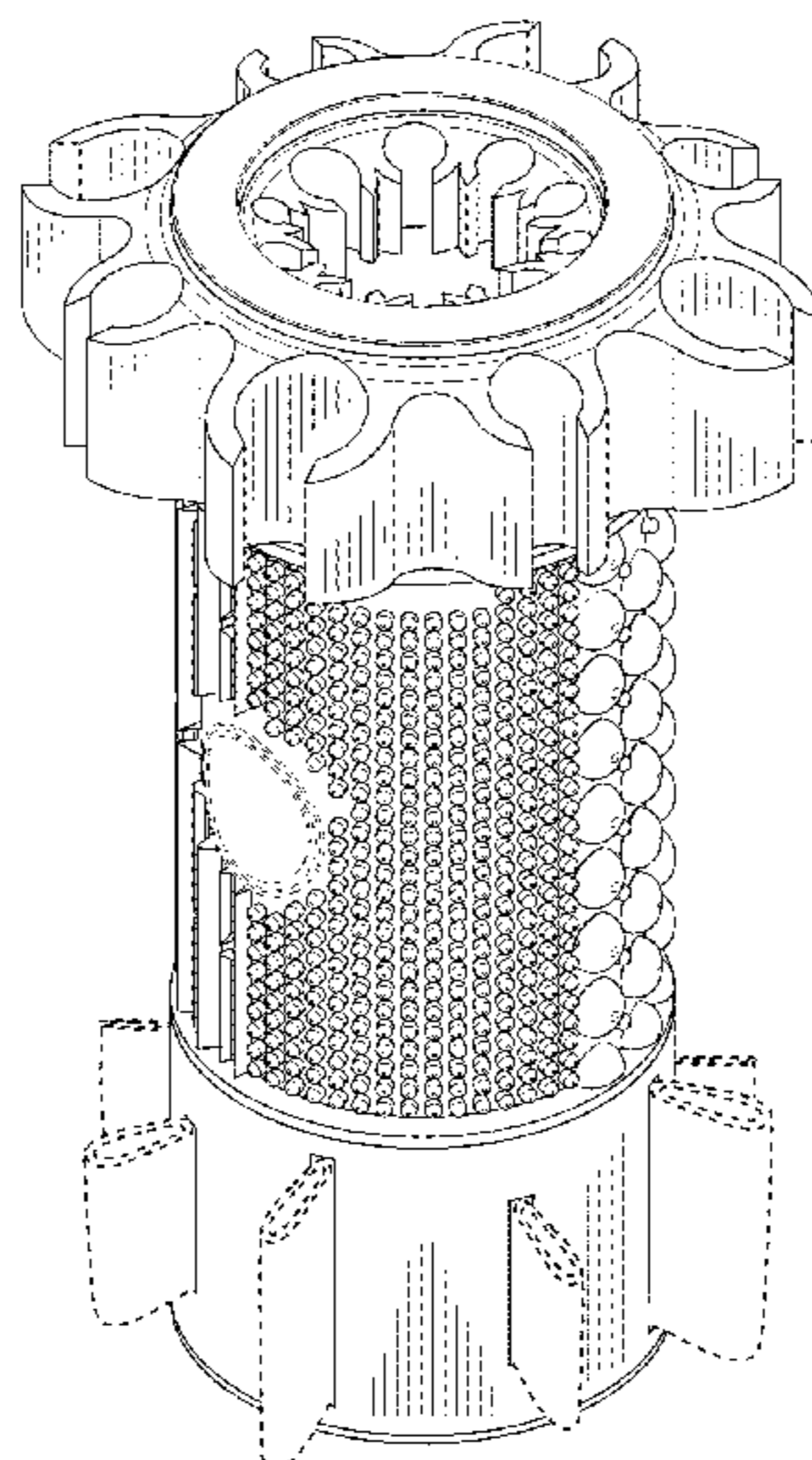
(57) **CLAIM**

The ornamental design for a cleaning and drying tool for cosmetic brushes, as shown and described.

DESCRIPTION

FIG. 1 is a top isometric environmental view of a cleaning and drying tool for cosmetic brushes.
FIG. 2 is a top isometric view of the cleaning and drying tool for cosmetic brushes of FIG. 1.
FIG. 3 is a bottom isometric environmental view of the cleaning and drying tool for cosmetic brushes of FIG. 1.
FIG. 4 is a bottom isometric view of the tool of FIG. 1.
FIG. 5 is a front elevation view of the tool of FIG. 1.
FIG. 6 is a back elevation view of the tool of FIG. 1, opposite the front view of FIG. 5.
FIG. 7 is a left side elevation view of the tool of FIG. 1, shown from the left of FIG. 5.
FIG. 8 is a right side elevation view of the tool of FIG. 1, shown from the right of FIG. 5.
FIG. 9 is a top plan view of the tool of FIG. 1; and,
FIG. 10 is a bottom plan view of the tool of FIG. 1.
The broken line loops in FIGS. 1 and 3 illustrate environment. The remaining broken lines illustrate unclaimed portions of the cleaning and drying tool for cosmetic brushes. None of the broken lines in the drawings form part of the claimed design.

1 Claim, 9 Drawing Sheets



(56)

References Cited

U.S. PATENT DOCUMENTS

816,793 A 4/1906 Harris
 1,209,763 A 12/1916 Rosengren
 1,279,855 A 9/1918 Garvey
 1,359,650 A 11/1920 Amis
 1,559,114 A 10/1925 Maranville
 1,657,784 A 1/1928 Bergstrom
 1,782,502 A 11/1930 Crane
 1,877,527 A 9/1932 Moran
 1,884,659 A 10/1932 Gould
 1,885,572 A 11/1932 Wood
 1,979,130 A 10/1934 Wiley
 1,984,183 A 12/1934 Gillespie
 2,187,430 A 1/1940 Olmsted et al.
 2,263,119 A 11/1941 Cornell
 D132,564 S 5/1942 Lindfelt
 2,325,903 A 8/1943 Blair et al.
 2,485,068 A 10/1949 Santana
 2,880,436 A 4/1959 Hayden
 2,963,150 A 12/1960 Dgetluck
 3,255,462 A 6/1966 Antonious
 3,325,847 A 6/1967 Meranto
 3,513,061 A 5/1970 Vinicki
 3,749,233 A 7/1973 McCormick, Jr.
 4,129,918 A 12/1978 Lee
 4,154,883 A 5/1979 Elias
 D256,181 S 8/1980 Kupperman et al.
 D268,968 S 5/1983 Sami
 D270,582 S 9/1983 Pietrocola
 4,494,267 A 1/1985 Fredley
 4,621,388 A 11/1986 Ortolivo
 D301,422 S * 6/1989 Schmidt D19/105
 4,847,939 A 7/1989 Derencsenyi et al.
 4,871,074 A * 10/1989 Bryson A45D 20/12
 211/26
 D304,512 S * 11/1989 Byers D19/105
 4,980,943 A 1/1991 Barber
 5,022,093 A 6/1991 Hall
 D324,541 S * 3/1992 Dudley D19/105
 D326,750 S 6/1992 Druzek
 5,322,056 A 6/1994 Menghi et al.
 D354,989 S * 1/1995 West D19/105
 5,427,239 A 6/1995 Hunt
 5,441,355 A 8/1995 Moore
 D363,577 S 10/1995 Brightbill et al.
 D363,606 S 10/1995 Abrahamson
 5,543,194 A 8/1996 Rudy
 D375,630 S * 11/1996 Oliver D3/259
 5,687,444 A 11/1997 Hakker
 5,815,840 A 10/1998 Hamlin
 D401,971 S * 12/1998 Chang D19/105
 5,898,942 A 5/1999 Anderson
 6,018,837 A 2/2000 Andreu
 6,058,882 A 5/2000 Leutholt
 D429,860 S 8/2000 Denney
 D439,386 S 3/2001 Denney
 6,199,695 B1 3/2001 Takeo
 6,264,391 B1 7/2001 Kroha
 D446,616 S 8/2001 Denney
 6,275,995 B1 8/2001 Le Gette et al.
 6,460,190 B1 10/2002 Blum
 D468,193 S * 1/2003 Ohm D6/513
 6,560,813 B2 5/2003 Brown et al.
 6,581,211 B1 6/2003 Golden
 D477,690 S 7/2003 Howell et al.
 6,669,657 B1 12/2003 Ongwela
 6,752,267 B2 6/2004 MacPherson et al.
 D492,816 S 7/2004 Bergquist et al.
 6,811,338 B1 11/2004 Manske, Jr. et al.
 D511,941 S * 11/2005 McGuyer D7/600.1
 D514,765 S 2/2006 Dretzka
 D517,753 S 3/2006 Northrop
 D523,192 S 6/2006 Northrop
 D526,096 S 8/2006 Kaposi
 D528,251 S 9/2006 Lion et al.
 7,117,536 B2 10/2006 Burnett et al.

RE39,388 E 11/2006 DeBartolo
 7,140,061 B2 11/2006 Baker et al.
 D537,997 S 3/2007 Plikuhn
 7,210,171 B2 5/2007 Jacobs et
 D544,264 S * 6/2007 Gallagher D6/524
 D544,665 S 6/2007 Keene
 7,234,170 B2 6/2007 Simic
 D554,331 S 11/2007 Matis
 D556,967 S 12/2007 Martins et al.
 D560,048 S 1/2008 Snell
 D569,578 S 5/2008 Yan
 D581,120 S 11/2008 Sofy et al.
 D603,563 S * 11/2009 Cho D28/76
 D610,753 S 2/2010 Moskowitz
 7,681,250 B2 3/2010 Friedstrom
 7,707,654 B1 5/2010 Spence
 D625,482 S 10/2010 Yang et al.
 7,823,245 B2 11/2010 Firouzman
 D650,522 S 12/2011 Gundersen
 D651,408 S 1/2012 Farkas
 D662,292 S 6/2012 Meynard
 D667,187 S 9/2012 Sowinski et al.
 8,356,378 B1 1/2013 Crooms
 8,371,044 B2 2/2013 Rusnak
 D685,560 S 7/2013 Lee et al.
 D687,623 S 8/2013 Norris
 D700,400 S * 2/2014 Saman D28/73
 D701,000 S * 3/2014 DiGirolamo D28/73
 8,677,544 B1 3/2014 Raven et al.
 D702,886 S * 4/2014 Bohman D28/38
 D703,409 S 4/2014 Robbins, III et al.
 8,689,387 B2 4/2014 Gundersen
 D707,005 S 6/2014 Levy et al.
 9,015,895 B2 4/2015 Filho et al.
 D747,628 S * 1/2016 Kowalczyk D6/515
 D758,666 S * 6/2016 Carrillo D28/73
 D764,709 S * 8/2016 Filho D28/73
 D766,511 S * 9/2016 Filho D28/73
 2001/0042281 A1 11/2001 Forsline
 2004/0025084 A1 2/2004 Krueger
 2004/0250840 A1 12/2004 Baker et al.
 2005/0166301 A1 8/2005 Tweel et al.
 2005/0177965 A1 8/2005 Edoh
 2006/0191092 A1 8/2006 O'Reilly et al.
 2006/0272116 A1 12/2006 Thompson
 2007/0048063 A1 3/2007 Bauer et al.
 2007/0056130 A1 3/2007 Baker et al.
 2007/0118963 A1 5/2007 Snyder
 2007/0151573 A1 7/2007 Christian
 2007/0277288 A1 12/2007 Sing et al.
 2008/0109933 A1 5/2008 Dolenak
 2008/0178366 A1 7/2008 Daher
 2008/0244848 A1 10/2008 Firouzman
 2008/0283078 A1 11/2008 Dumler et al.
 2009/0139007 A1 6/2009 Bevier
 2010/0192318 A1 8/2010 Huizinga
 2010/0218326 A1 9/2010 Yamaguchi
 2011/0041276 A1 2/2011 Edwards et al.
 2012/0023693 A1 2/2012 Pung et al.
 2012/0060312 A1 3/2012 Kubes
 2014/0289987 A1 10/2014 Filho et al.

FOREIGN PATENT DOCUMENTS

CN 201441347 U 4/2010
 CN 101856156 A 10/2010
 DE 20102840 U1 6/2001
 KR 200422216 Y1 7/2006
 SE 62075-0001 11/1997
 WO WO02/01997 A2 1/2002
 WO WO2011067677 A2 6/2011

OTHER PUBLICATIONS

“Brushegg: A Compact Makeup Brush Cleaning Tool,” Coffee Sundays, Article Dec. 18, 2014, retrieved Jul. 8, 2016 from <<http://www.coffeesundays.com/2014/12/18/brushegg-a-compact-makeup-brush-cleaning-tool/>>, 14 pages.

(56)

References Cited

OTHER PUBLICATIONS

“Dog Grooming: Rinse Ace Bath Mitt at Drs. Foster & Smith,” Review Apr. 10, 2011, retrieved Jul. 7, 2016 from <http://www.drsofostersmith.com/product/prod_display.cfm?pcatid=11101>, 4 pages.

“Makeup Brush Cleaning!” Rebekah Elizabeth, website copyright 2015, retrieved Jul. 8, 2016 from <<http://rebekaheliz.com/2013/05/29/makeup-brush-cleaning/>>, 5 pages.

PECO Ignores Pottstown too?, post date Jul. 1, 2010, <<http://www.saveardmorecoalition.org/node/4731/peco-ignores-pottstown-too>>, site visited Jul. 15, 2016, 9:57:06 PM.

Plaintiff, Prior Art Statement (Litigation Document, U.S. Pat. No. 9,015,895), dated Apr. 13, 2016.

Plaintiff, Opening Claim Chart (Litigation Document, U.S. Pat. No. 9,015,895), dated Feb. 26, 2016.

Defendants, Prior Art Statement (Litigation Document, U.S. Pat. No. 9,015,895), dated Mar. 18, 2016.

Defendants, Responsive Claim Chart (Litigation Document, U.S. Pat. No. 9,015,895), dated Mar. 18, 2016.

Target Mobile Site—Silicone Solutions Black Silicone Oven Mitt. <http://sites.target.com/site/en/spot/mobile_product_detail.jsp?tcin=568859&keywords=sili . . . Feb. 28, 2012.

Makeup Brush Washing Instructions: How & Why Clean Your Dirty Cosmetic Brushes. <<http://www.freebeautytips.org/cleanbrushes.html>> Apr. 2, 2012.

How to Clean Makeup Brushes Video and Steps. <<http://www.realsimple.com/beauty-fashion/makeup/how-to-clean-makeup-brushes-0000000>> Apr. 3, 2012.

How to Clean Makeup Brushes/Cleaning Guides. <<http://www.howtocleanstuff.net/how-to-clean-makeup-brushes/>> Apr. 2, 2012.

Amazon.com: Norpro Pink Silicone and Fabric Glove, Medium, from Norpro. retrieved Oct. 14, 2015 from <http://www.amazon.com/gp/product/B001FB59OA?Keywords=norpro%20glove&qid=1444835721&ref=sr_1_1&sr=8-1>.

Norpro—Quality For the Cook. retrieved Oct. 14, 2015 from <<https://web.archive.org/web/20090503194212/http://www.norpro.com/store/products/siliconfabric-oven-glove-pink>>.

Norpro—Quality For the Cook. retrieved Oct. 14, 2015 from <<https://web.archive.org/web/20121124064626/http://www.norpro.com/store/products/siliconfabric-oven-glove-pink>>.

“2X Sigma Spa® Brush Cleaning Glove.” Retrieved Dec. 14, 2015 from <https://web.archive.org/web/20140529021235/http://www.sigmabeauty.com/2X_Sigma_Spa_Brush_Cleaning_Glove_p/ssg2xs.htm>.

“Sigma Spa™ Brush Cleaning Glove.” Retrieved Dec. 14, 2015 from <https://web.archive.org/web/20130220234830/http://www.sigmabeauty.com/Sigma_Spa_Brush_Cleaning_glove_p/bc001.htm?>>.

My Makeup Issues: “Sigma Spa Brush Cleaning Glove—Review.” Mar. 13, 2013. Retrieved Dec. 14, 2015 from <<http://mymakeupissues.blogspot.com/2013/03/sigma-spa-brush-cleaning-glove-review.html>>.

“Caring for your Make-Up Brushes.” Basic MakeUp and Anti Aging Products. 4 pages. Obtained Oct. 27, 2011 from <<http://www.basicmakeup.com/make-up-brushes/>>.

“Cosmetic Brushes.” Basic MakeUp and Anti Aging Products. 4 pages. Obtained Oct. 27, 2011 from <<http://www.basicmakeup.com/cosmetic-brushes/>>.

“Makeup Brush Cleaning.” 3 pages. Obtained Oct. 27, 2011 from <<http://makeup.beautyhill.com/makeup-brush-cleaning.html/>>.

“The Brush Guard.” 2 pages. Obtained Oct. 27, 2011 from <<http://www.thebrushguard.com/use.html>>.

Samanta: “New! Sigma 2X Spa Glove; the other end of the brush”, May 29, 2014. Retrieved Oct. 13, 2015 from (<<https://theotherendofthebrush.wordpress.com/2014/05/29/new-sigma-2x-spa-glove-2/>>).

Dulce Candy: “Review/Demo: 2X Sigma Spa Brush Cleaning Glove”, Jun. 17, 2014. Retrieved Oct. 14, 2015 from (<<https://www.youtube.com/watch?v=1x04MrHPkrQ>>).

The extended European Search Report dated Oct. 22, 2015 in connection with European Patent Application No. 15170663.7.

The extended European Search Report dated Sep. 11, 2015 in connection with European Patent Application No. 14197771.0.

The extended European Search Report dated Sep. 11, 2015 in connection with European Patent Application No. 14197802.3.

Dffice Action dated May 11, 2015 received in connection with Chinese Application No. 201310063907.8, including English translation.

Patent Examination Report No. 1 dated Nov. 25, 2016 in connection with Australian Patent Application No. 2015221549, 6 pages.

Patent Examination Report No. 1 dated Dec. 8, 2016 in connection with Australian Patent Application No. 2015221550, 7 pages.

* cited by examiner

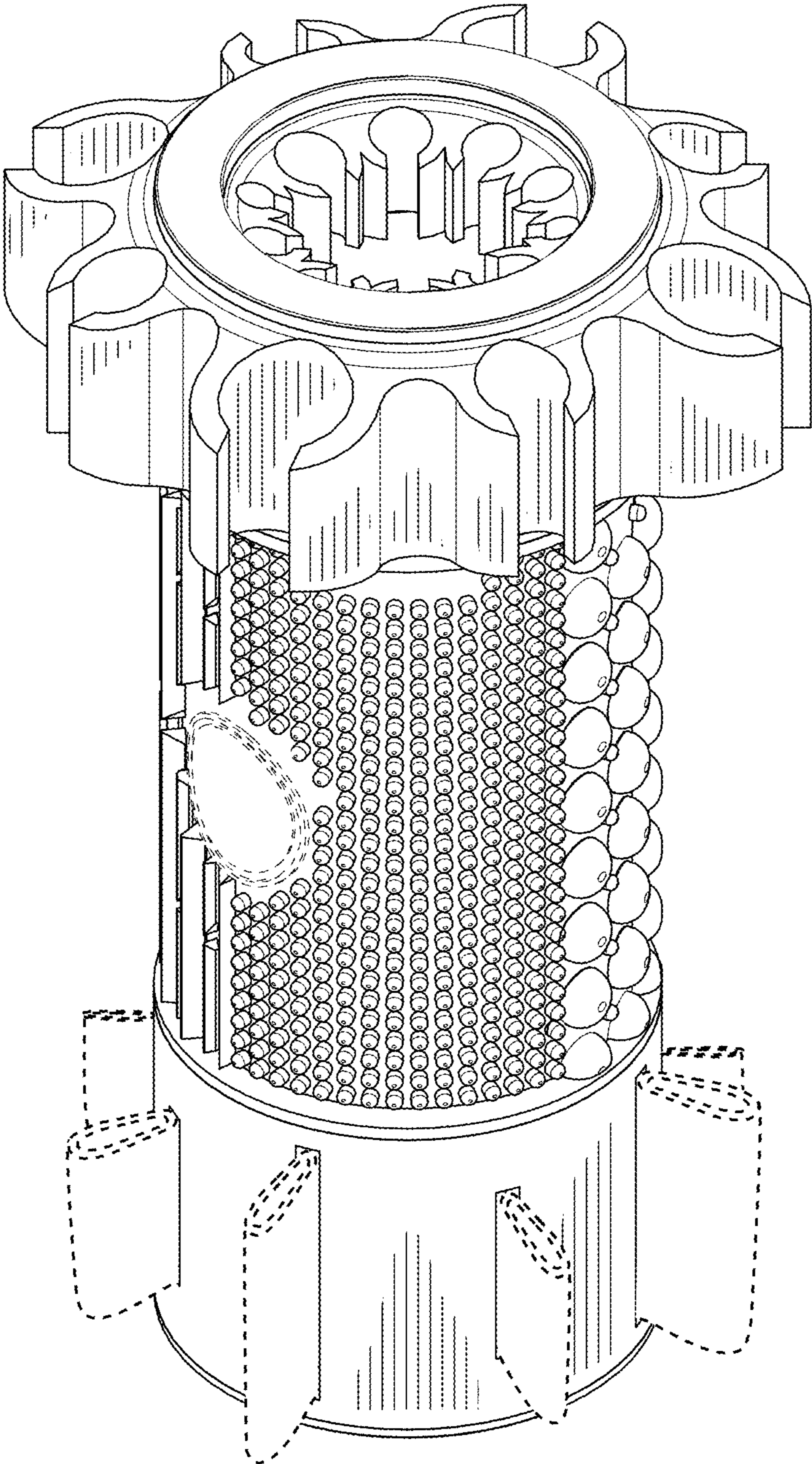


FIG. 1

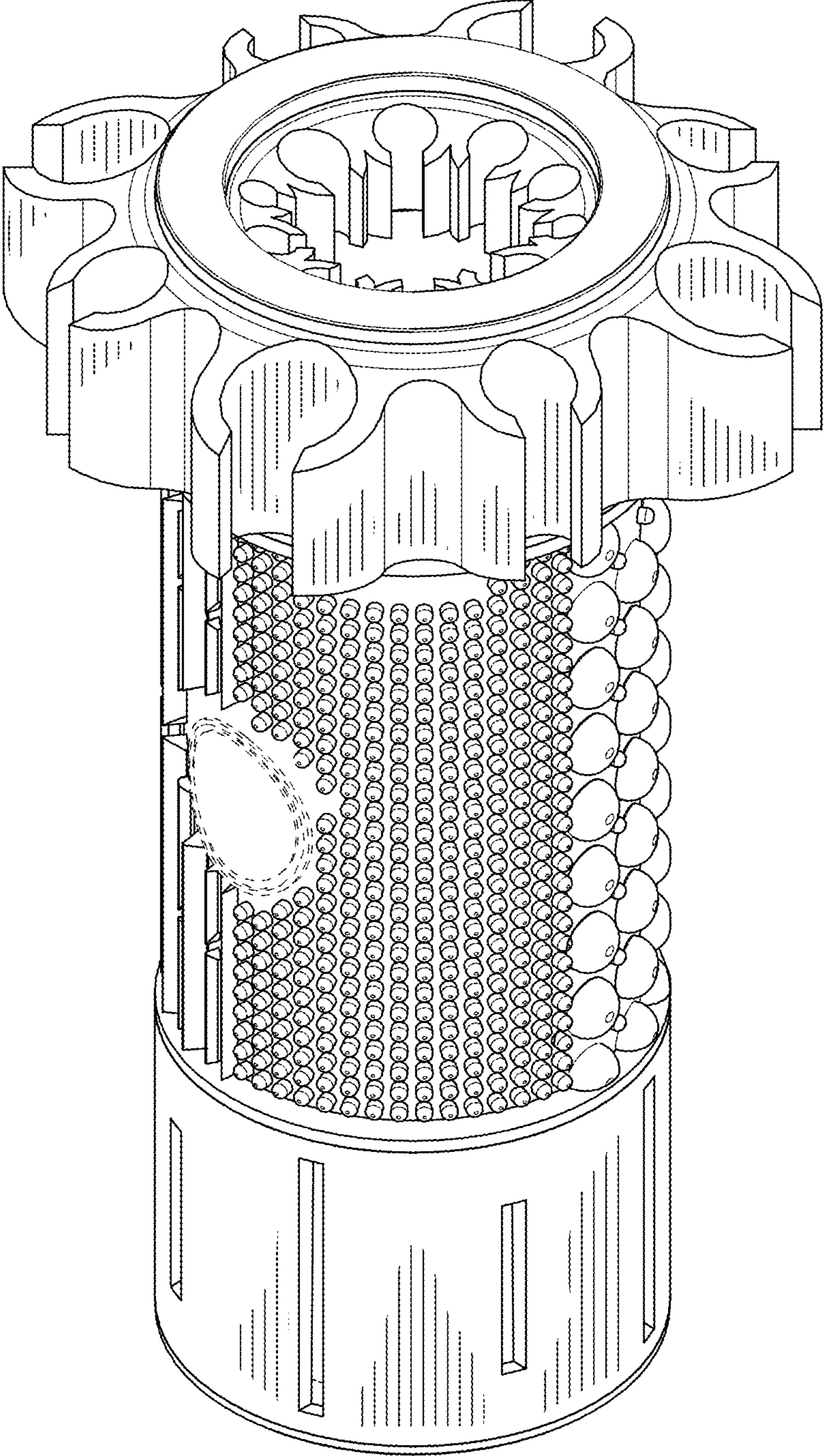


FIG. 2

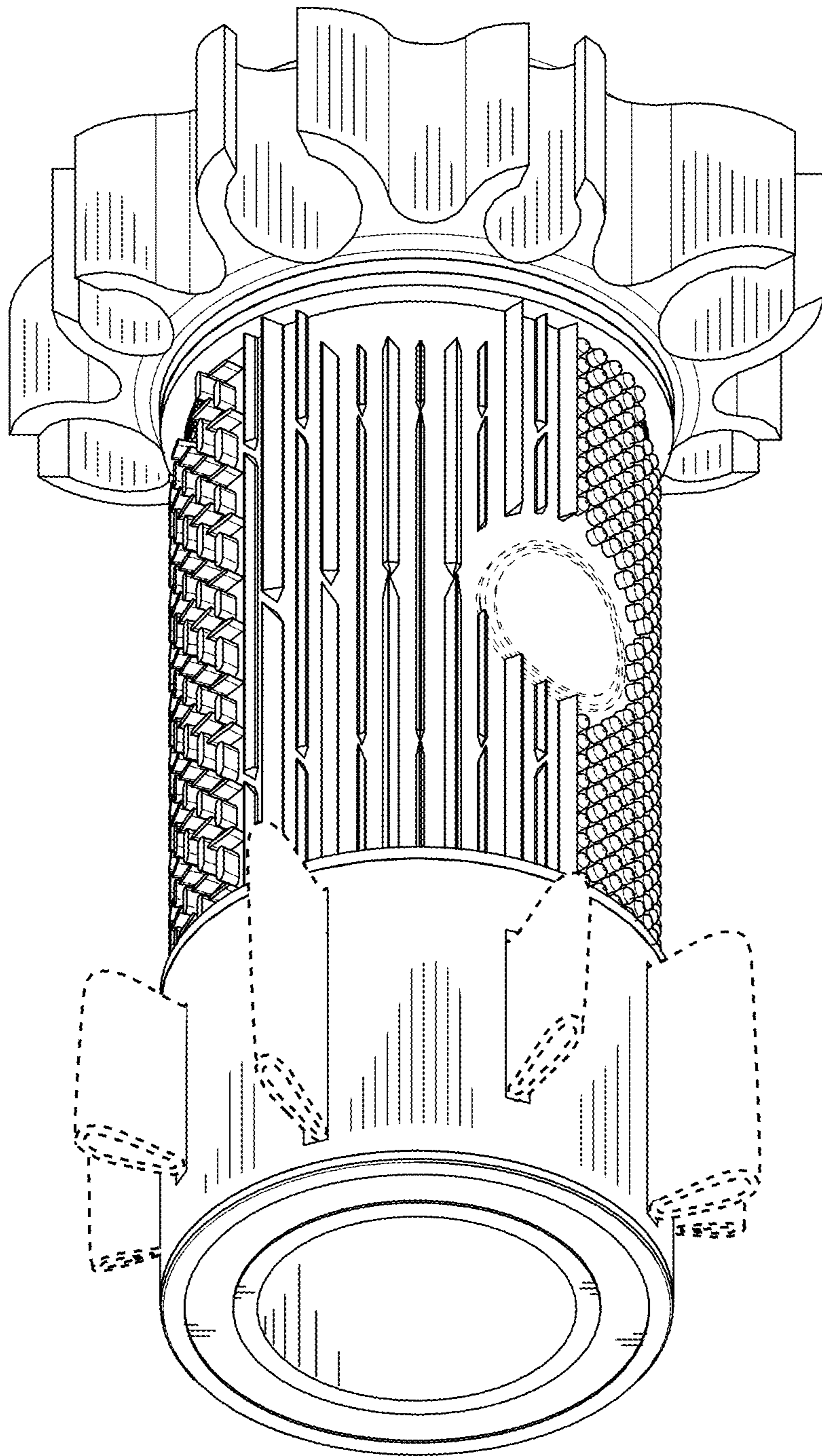


FIG. 3

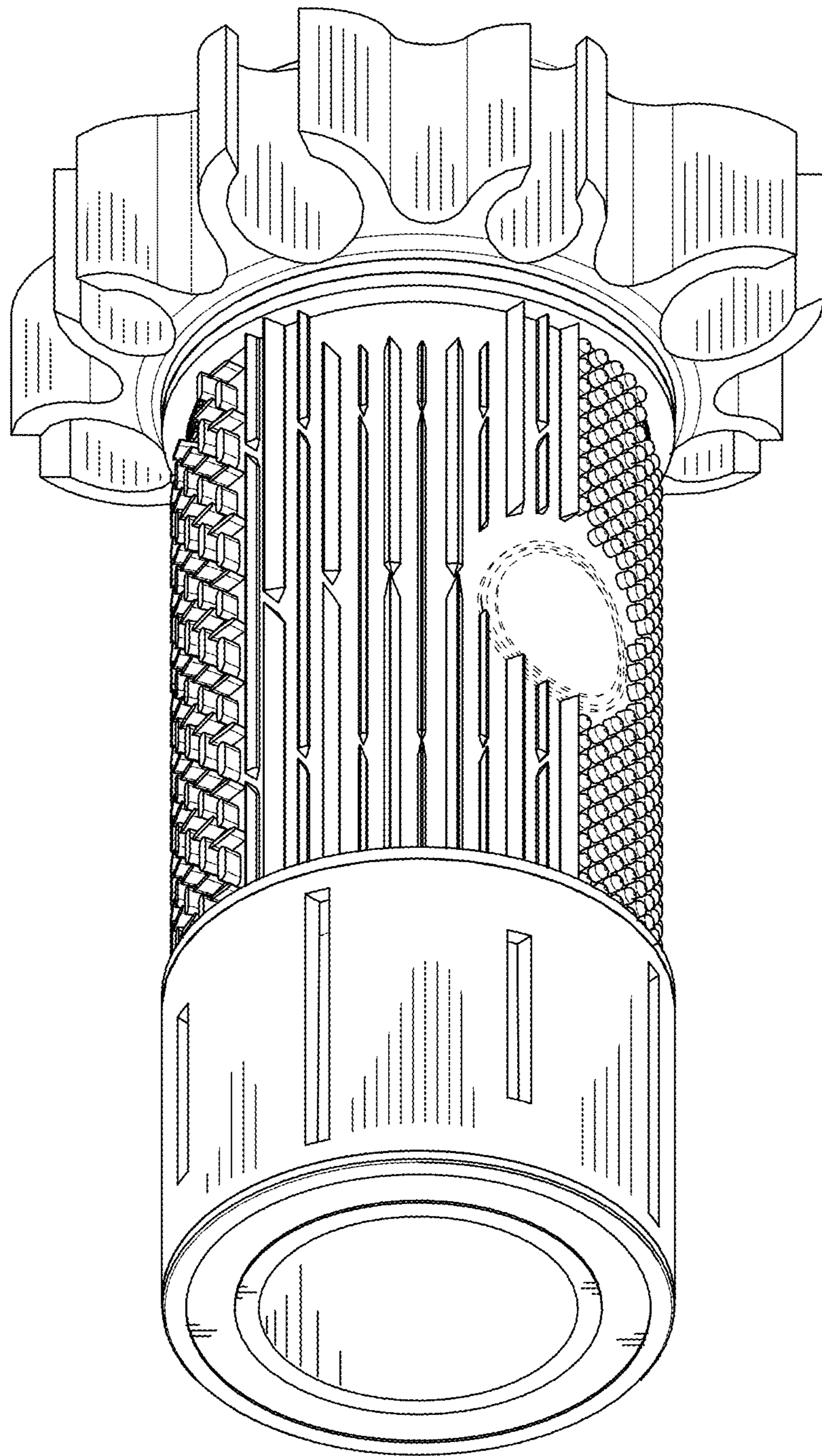


FIG. 4

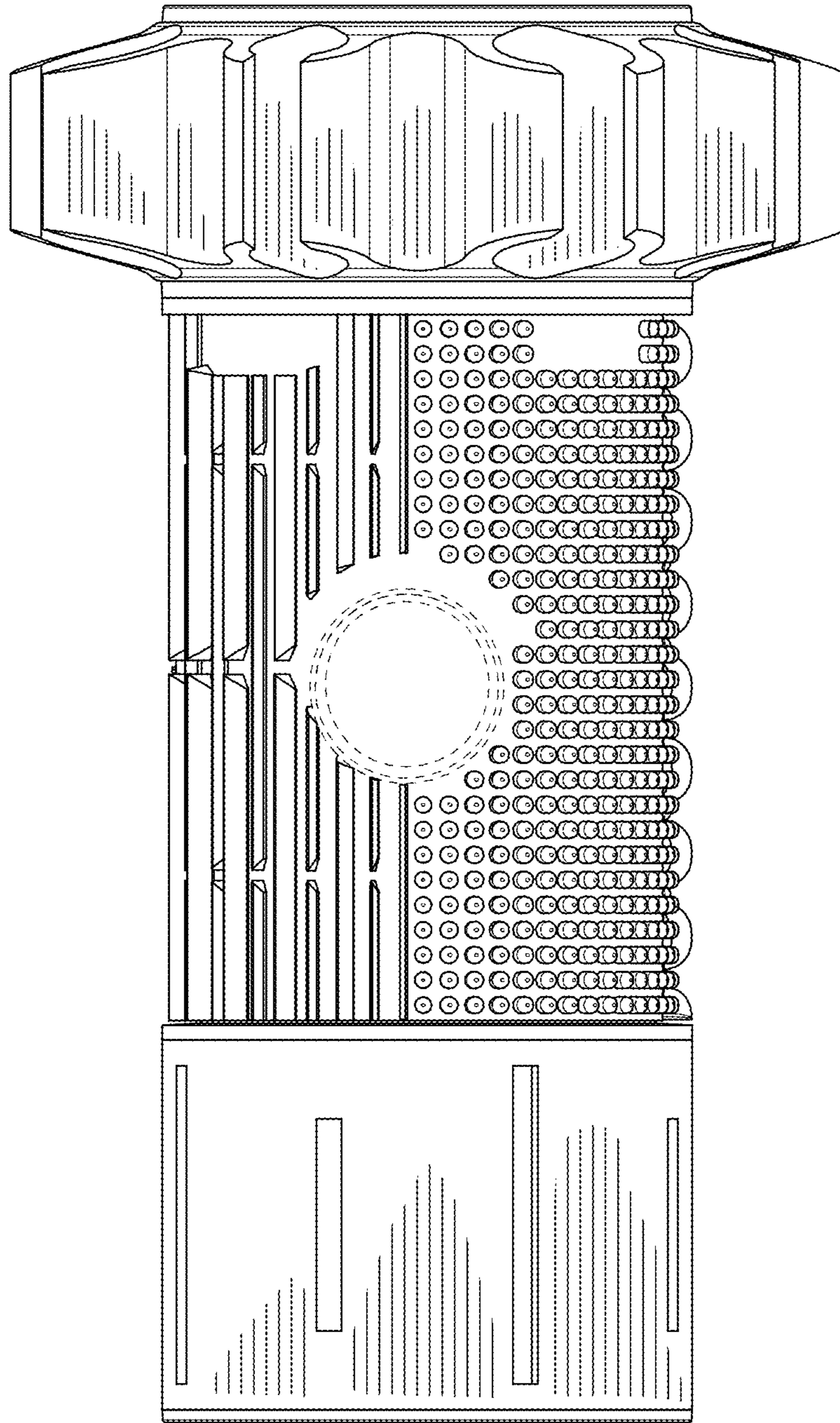


FIG. 5

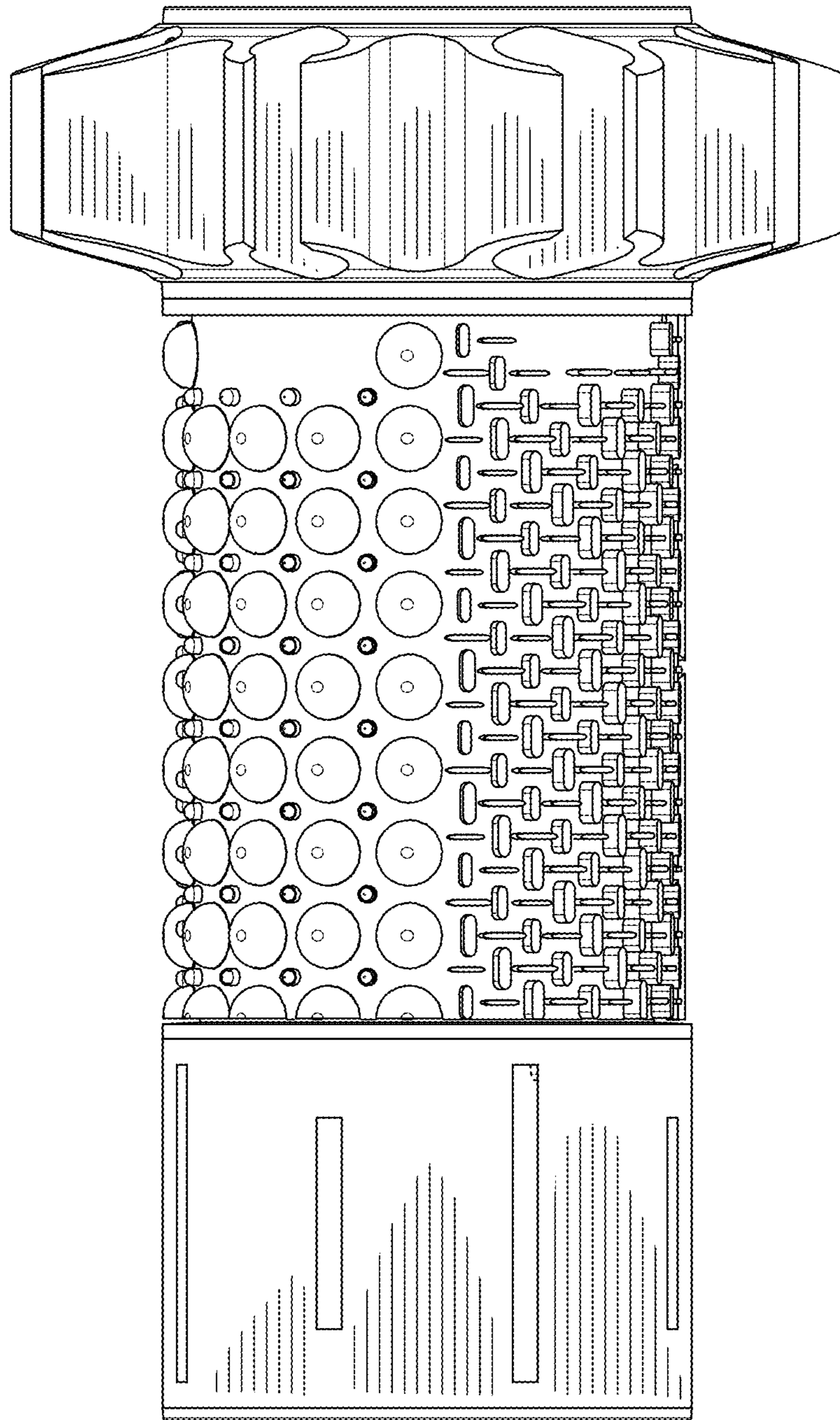


FIG. 6

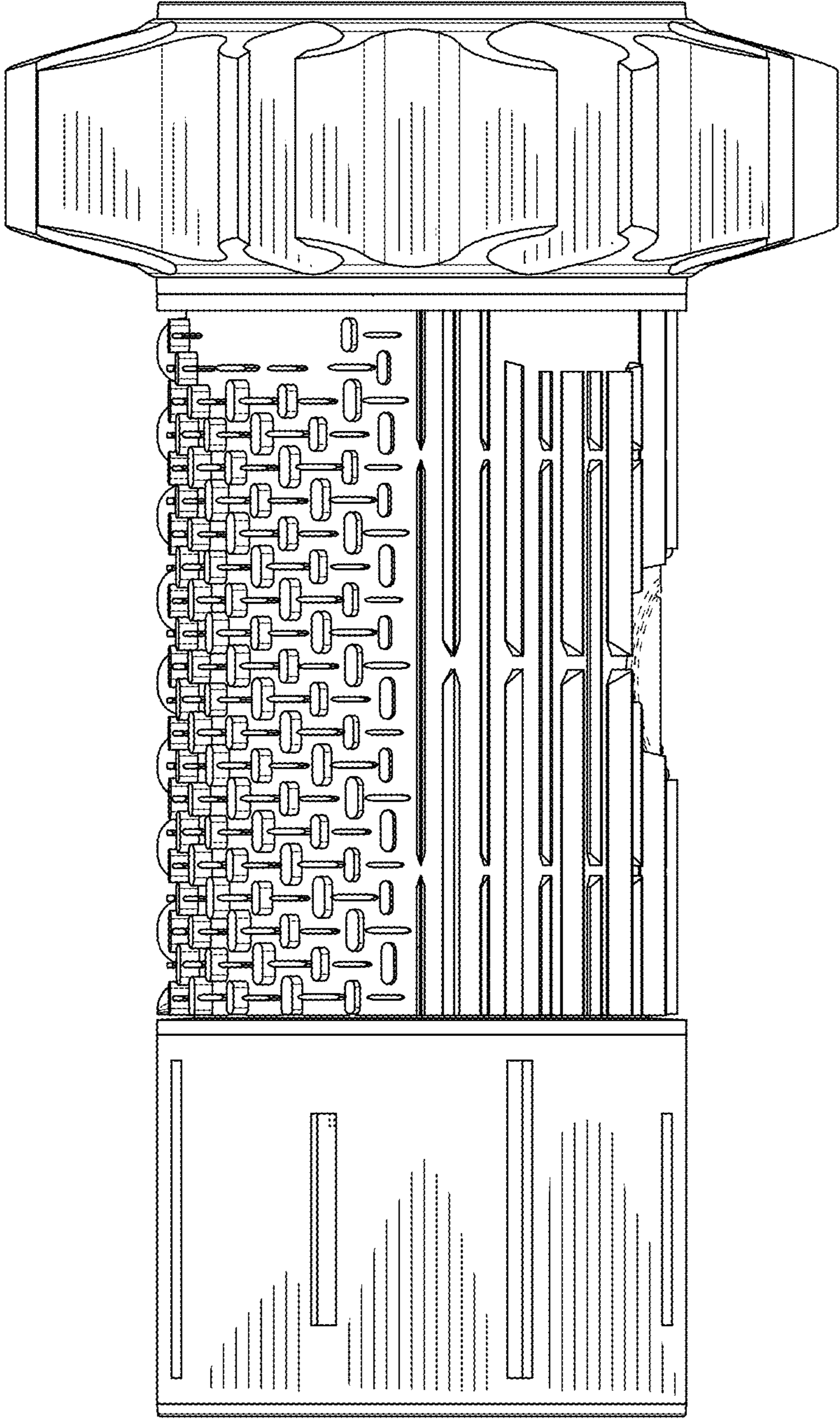


FIG. 7

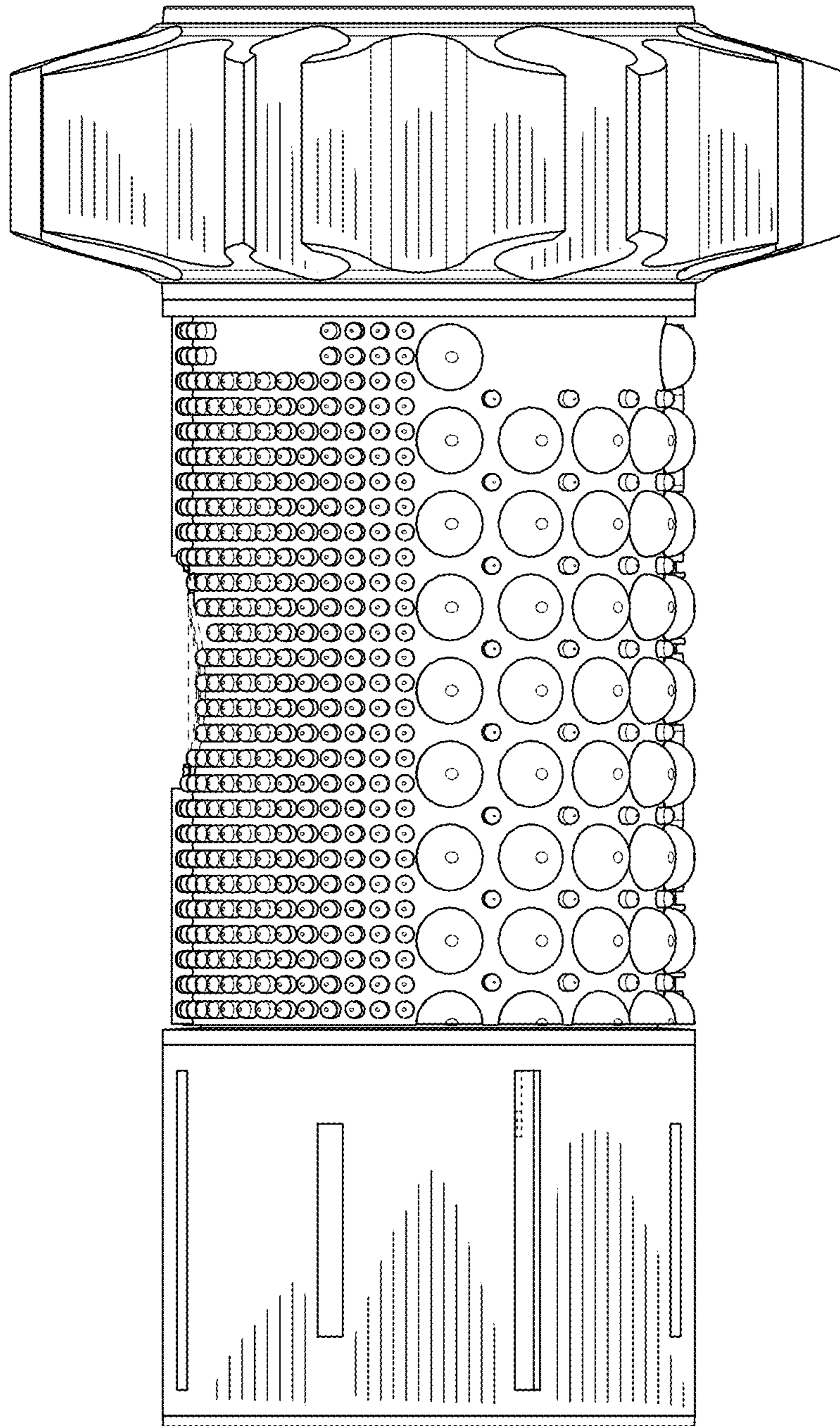


FIG. 8

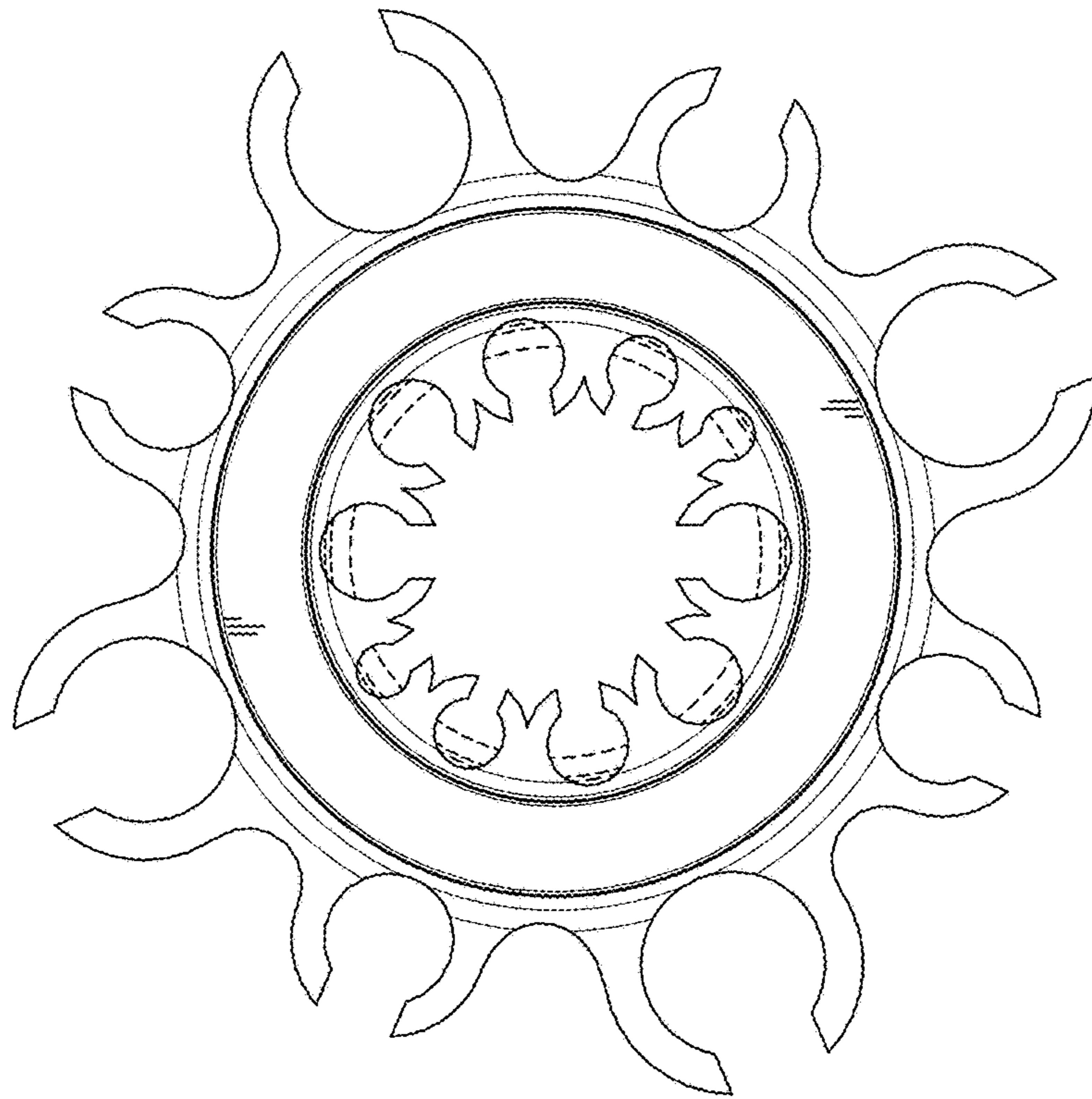


FIG. 9

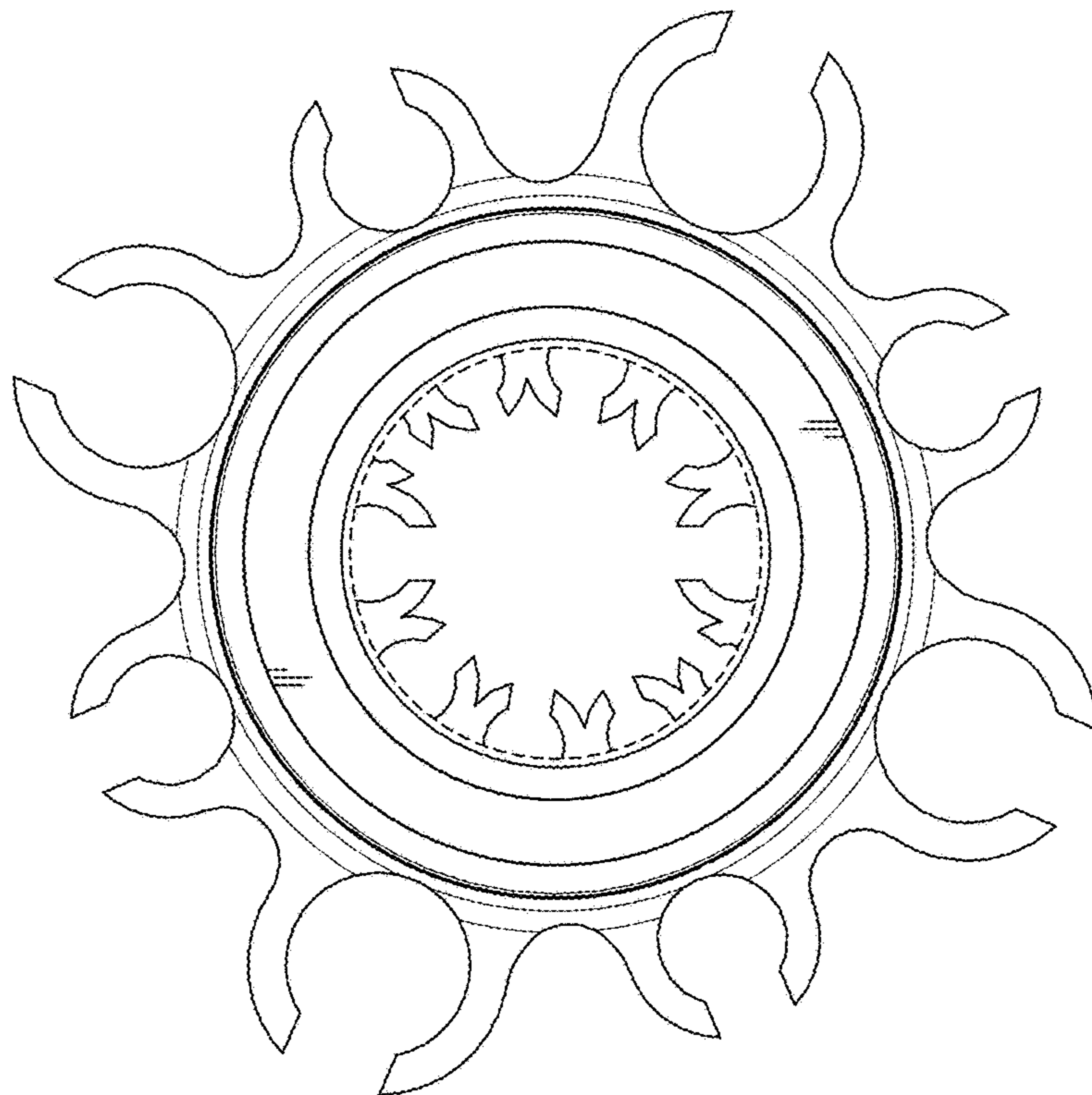


FIG. 10