



US00D789608S

(12) **United States Design Patent**
Lee et al.

(10) **Patent No.:** **US D789,608 S**
(45) **Date of Patent:** **** Jun. 13, 2017**

- (54) **RAZOR CARTRIDGE CAP**
- (71) Applicant: **HF Global, Inc.**, New York, NY (US)
- (72) Inventors: **Stuart Harvey Lee**, Forest Hills, NY (US); **Jochen Schaepers**, New York, NY (US); **Scott Newlin**, Brooklyn, NY (US)
- (73) Assignee: **Harry's, Inc.**, New York, NY (US)
- (**) Term: **15 Years**
- (21) Appl. No.: **29/529,716**
- (22) Filed: **Jun. 10, 2015**
- (51) **LOC (10) Cl.** **28-03**
- (52) **U.S. Cl.**
USPC **D28/47**
- (58) **Field of Classification Search**
USPC D28/46-48, 45; 30/539-540
CPC B62B 21/00-21/12; B62B 21/14; B62B 21/165; B62B 21/18; B62B 21/24; B62B 21/30; B62B 21/32; B62B 21/40; B62B 21/4062; B62B 21/4068; B62B 21/4075; B62B 21/52-21/528; B26B 21/16; B26B 21/185; B26B 21/20-21/227; B26B 21/28; B26B 21/4012-21/4025; B26B 21/4081-21/4093; B26B 21/443; B26B 21/4037
See application file for complete search history.

- 6,263,576 B1 * 7/2001 Drapak B26B 21/14 30/48
- D587,404 S * 2/2009 Wonderley D28/47
- D612,992 S * 3/2010 Sennett D28/47
- D616,148 S * 5/2010 Wonderley D28/47
- D616,149 S * 5/2010 Wonderley D28/47
- D624,242 S * 9/2010 Bridges D28/47

* cited by examiner

Primary Examiner — Jennifer Rivard

(74) *Attorney, Agent, or Firm* — Florek & Endres PLLC

(57) **CLAIM**

The ornamental design for a razor cartridge cap, as shown and described.

DESCRIPTION

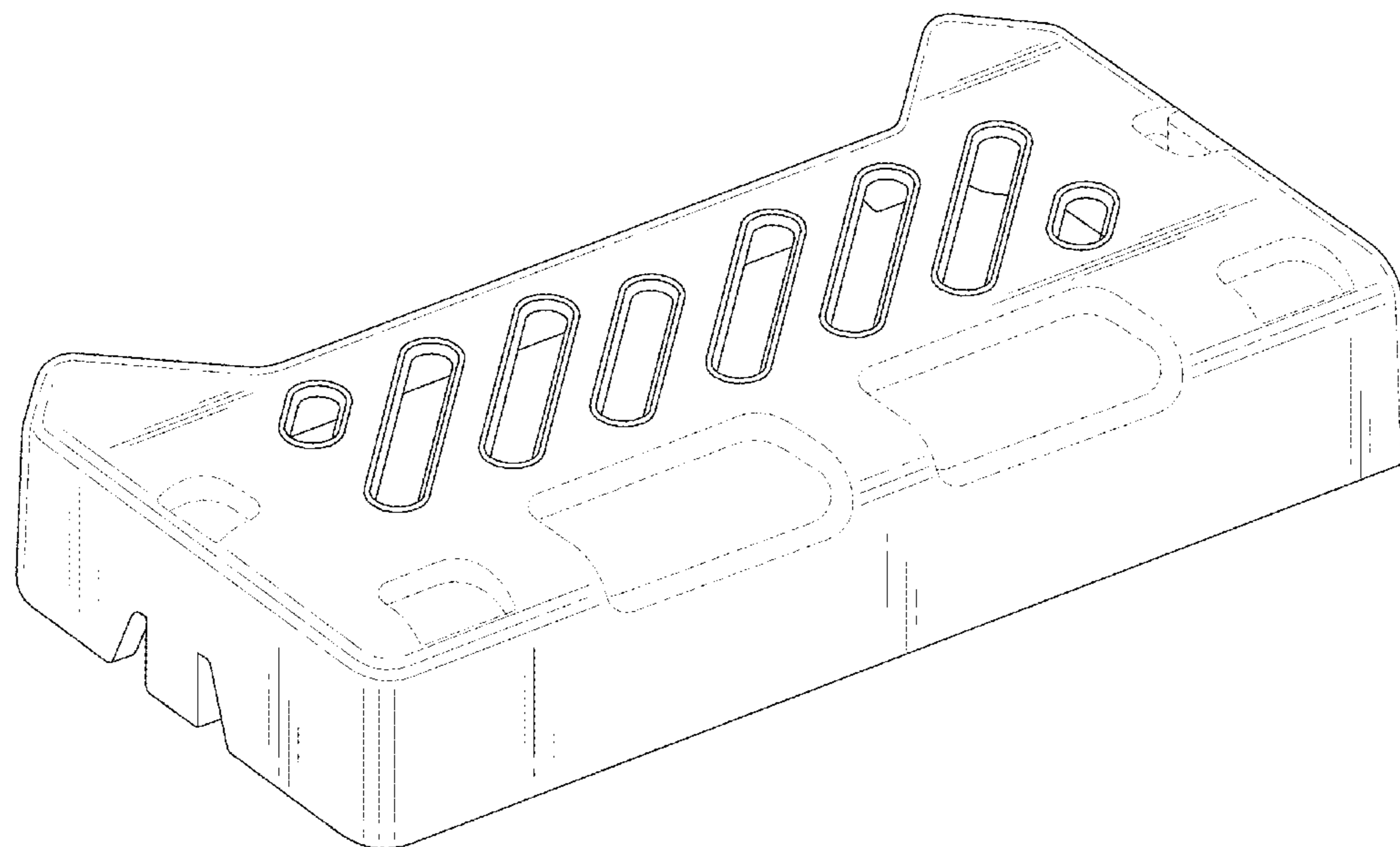
FIG. 1 is a front perspective view of the razor cartridge cap of the present invention.
 FIG. 2 is a rear perspective view of the razor cartridge cap of the present invention.
 FIG. 3 is a bottom plan view of the razor cartridge cap of FIG. 1.
 FIG. 4 is a top plan view of the razor cartridge cap of FIG. 1.
 FIG. 5 is a right side elevation of the razor cartridge cap of FIG. 1.
 FIG. 6 is a left side elevation of the razor cartridge cap of FIG. 1.
 FIG. 7 is a front elevation of the razor cartridge cap of FIG. 1; and,
 FIG. 8 is a rear elevation of the razor cartridge cap of FIG. 1.
 The broken lines illustrate portions of the razor cartridge cap and form no part of the claimed design.

(56) **References Cited**

U.S. PATENT DOCUMENTS

- 4,996,772 A * 3/1991 Iten B26B 21/4037 30/123.3
- 6,185,827 B1 * 2/2001 Polites B26B 21/40 206/354

1 Claim, 7 Drawing Sheets



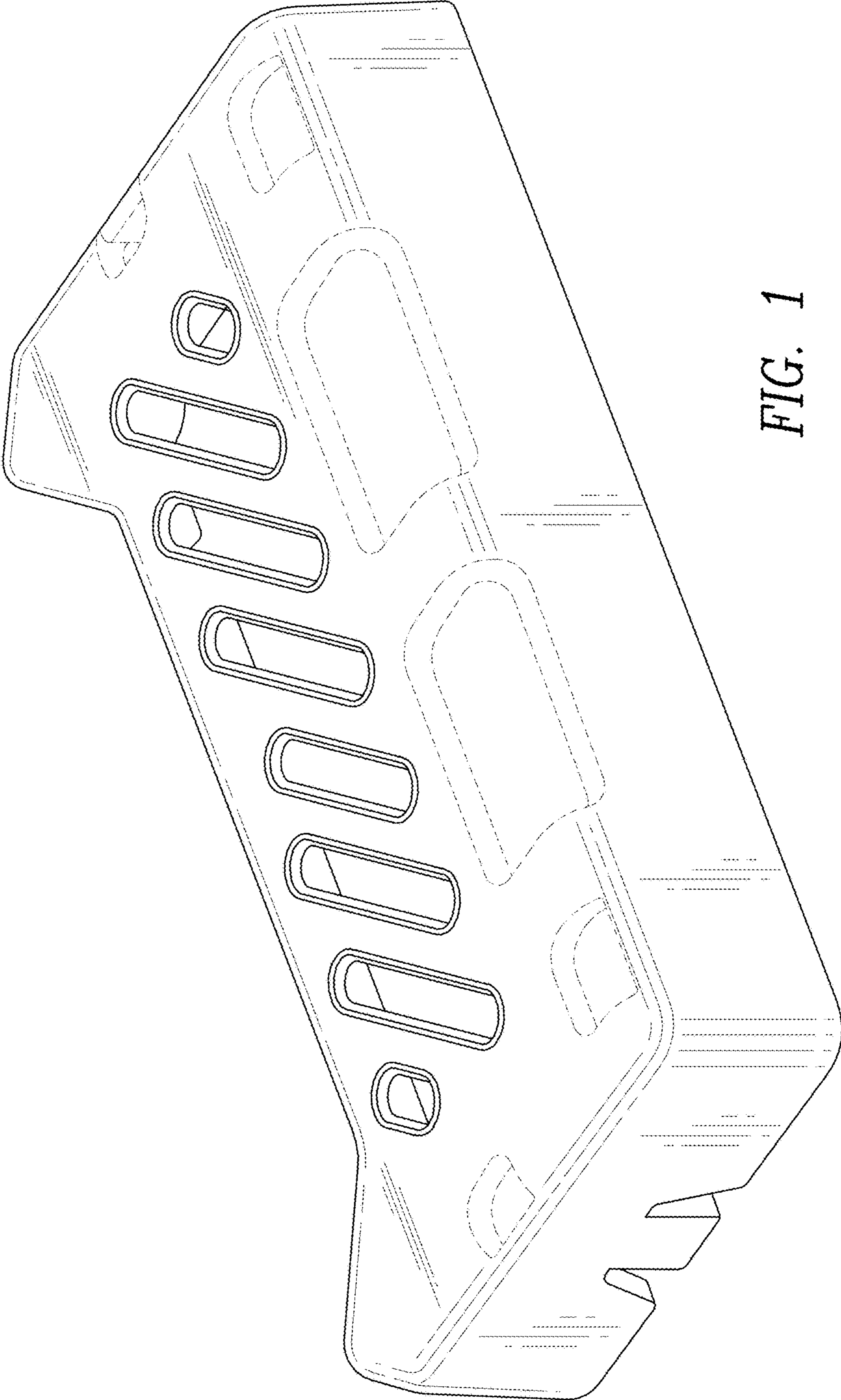


FIG. 1

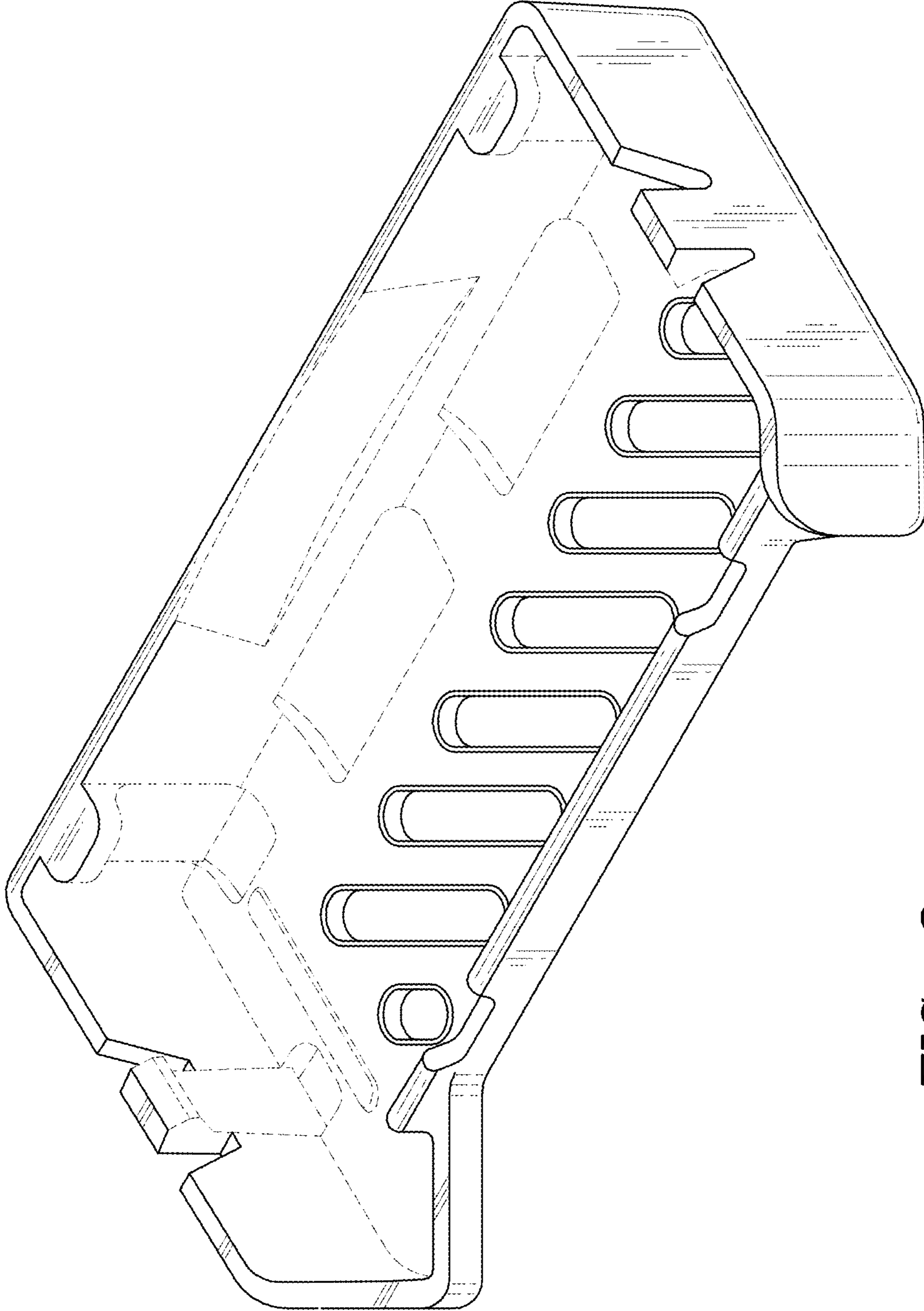


FIG. 2

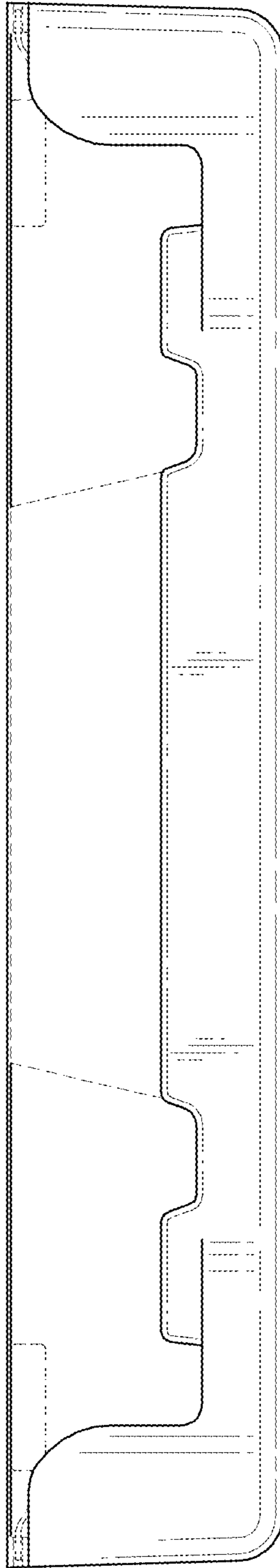


FIG. 3

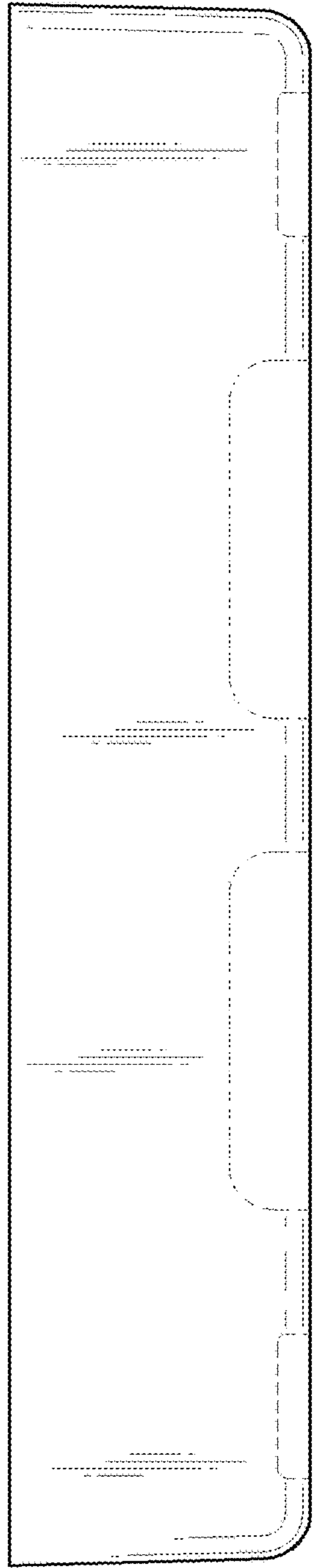


FIG. 4

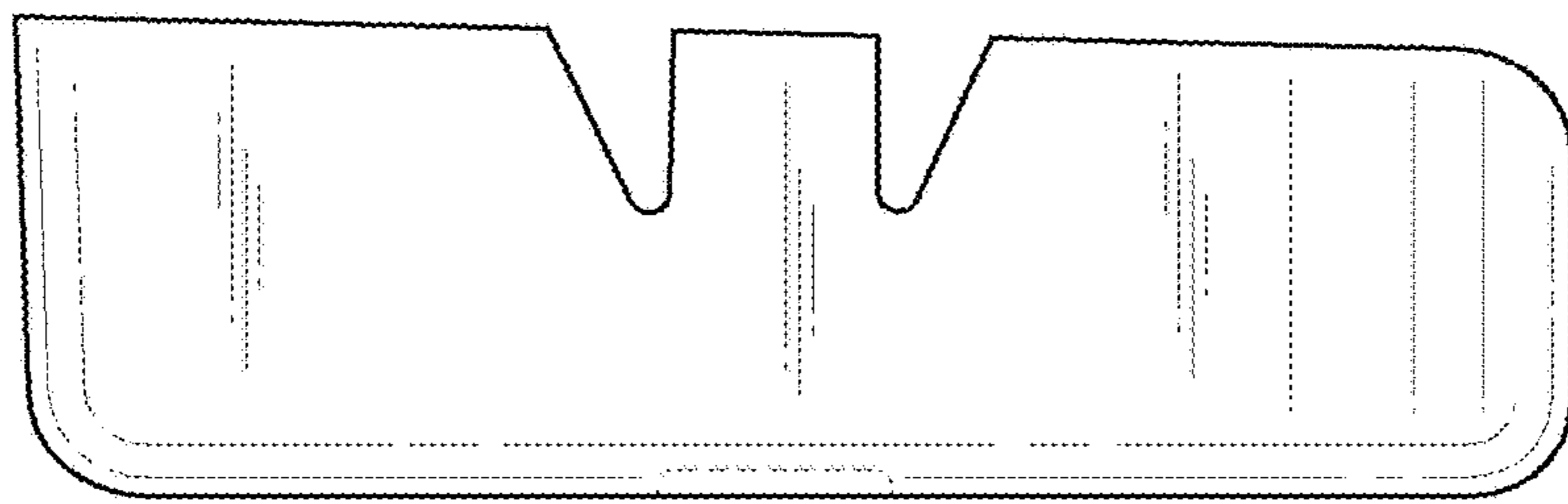


FIG. 5

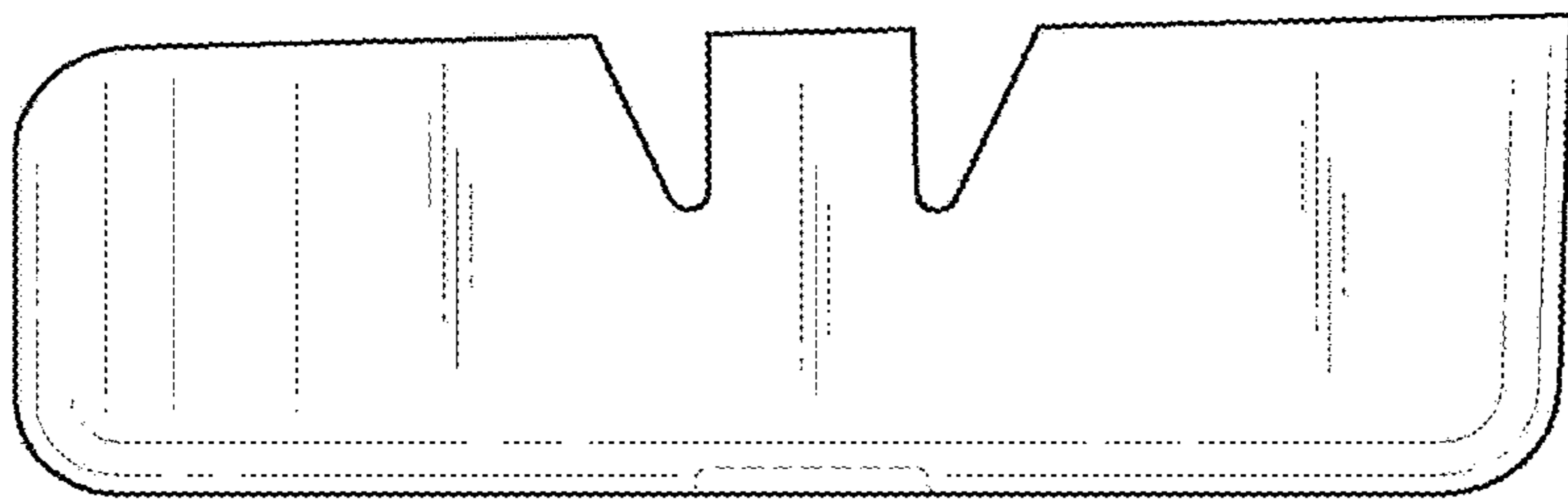


FIG. 6

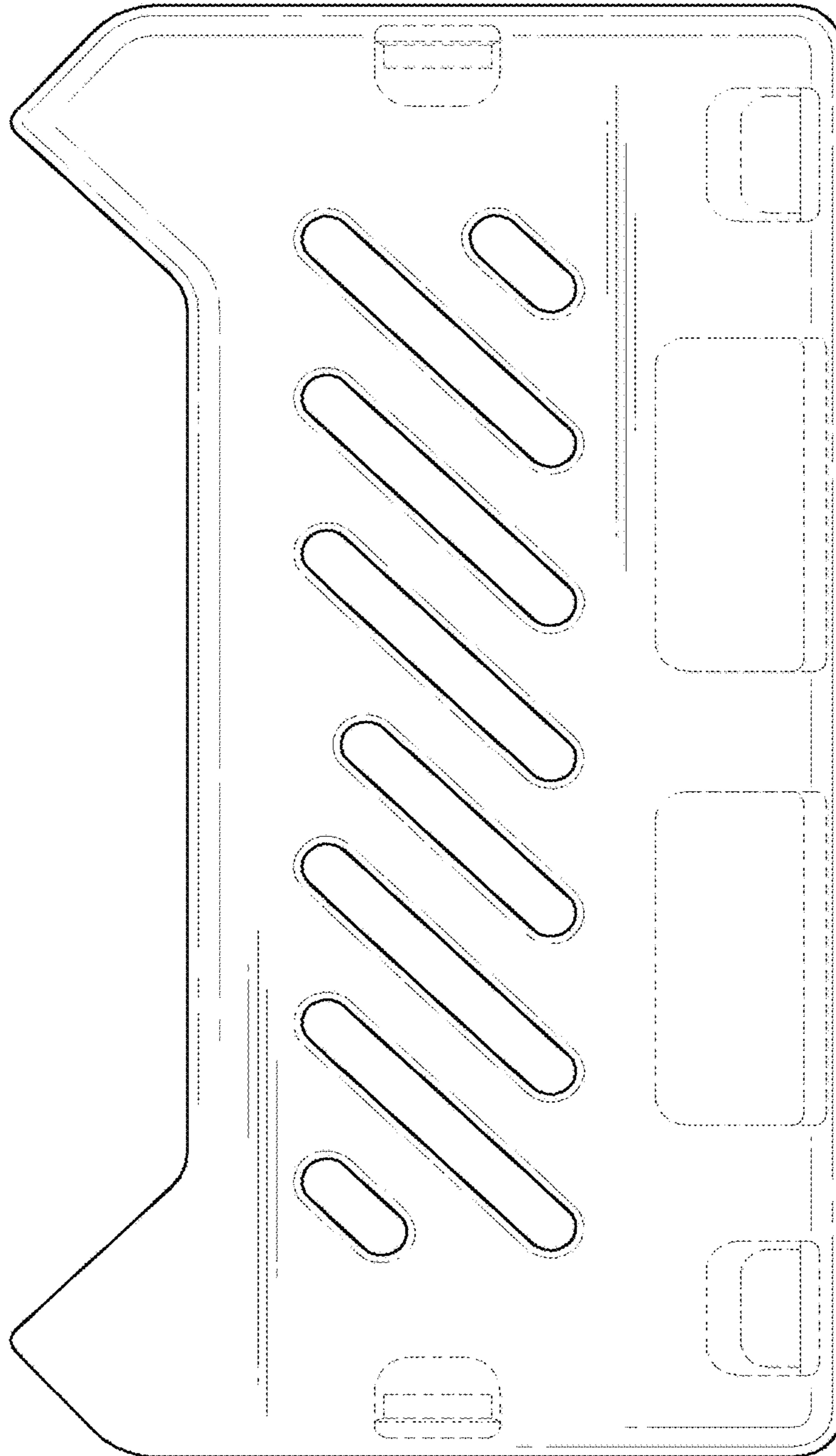


FIG. 7

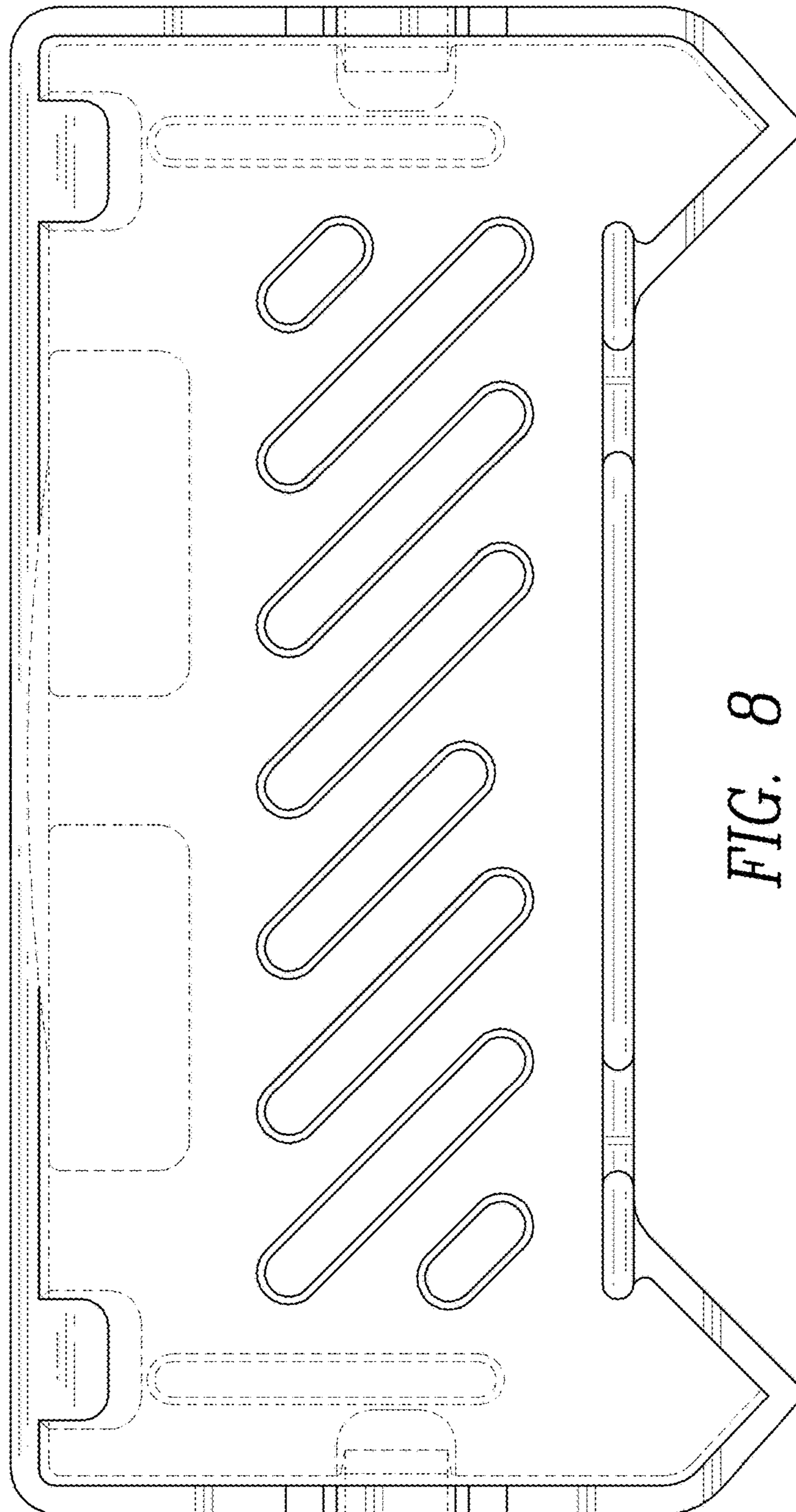


FIG. 8