



US00D789605S

(12) **United States Design Patent**
Caudillo

(10) **Patent No.:** **US D789,605 S**
(45) **Date of Patent:** **** Jun. 13, 2017**

(54) **FINGER PROTECTOR FOR CUTTING HAIR**

(71) Applicant: **Anita Caudillo**, Bakersfield, CA (US)

(72) Inventor: **Anita Caudillo**, Bakersfield, CA (US)

(73) Assignee: **Anita Candillo**, Bakersfield, CA (US)

(**) Term: **15 Years**

(21) Appl. No.: **29/539,165**

(22) Filed: **Sep. 11, 2015**

(51) **LOC (10) Cl.** **28-03**

(52) **U.S. Cl.**

USPC **D28/44.2**; D28/10; D29/114

(58) **Field of Classification Search**

USPC D29/114; D24/190; D28/9, 10, 44.2

CPC ... A61F 5/05875; A41D 13/087; A45D 44/02;

A45D 24/36; B26B 29/04

See application file for complete search history.

(56) **References Cited**

U.S. PATENT DOCUMENTS

- 365,612 A * 6/1887 Lee A61F 5/05875
602/22
- 617,929 A * 1/1899 Fowble A41D 13/087
2/21
- 1,375,690 A * 4/1921 George A41D 13/087
2/21
- 2,548,378 A * 4/1951 Kleinfeld A61F 5/05875
602/22
- D225,389 S * 12/1972 Carter 473/62
- 4,103,682 A * 8/1978 Franzl A61F 5/05875
602/22
- 4,269,205 A * 5/1981 Clark A45D 24/36
132/213
- 4,674,487 A * 6/1987 Schaeffer A45D 44/02
602/22
- D293,379 S * 12/1987 Link D24/190
- 5,048,186 A * 9/1991 Lamb A45D 44/02
30/233

- 5,363,508 A * 11/1994 Kim A41D 13/087
2/21
- 5,520,626 A * 5/1996 Schaeffer A41D 19/01505
2/21
- D373,656 S * 9/1996 Sorrels D29/114
- 5,803,094 A * 9/1998 Becker A45D 31/00
132/200
- D414,300 S * 9/1999 Silvey D29/114
- 5,991,918 A * 11/1999 Choate A41D 13/087
132/213.1
- D465,306 S * 11/2002 Price D29/114
- 6,665,874 B2 * 12/2003 Stolf A41D 13/087
132/212
- 7,055,177 B2 * 6/2006 Svrcek A41D 13/087
2/163
- 7,458,946 B2 * 12/2008 Ryscavage A61F 5/0118
602/20

(Continued)

Primary Examiner — Jennifer Rivard

(74) *Attorney, Agent, or Firm* — Klein, Denatale,
Goldner, Cooper

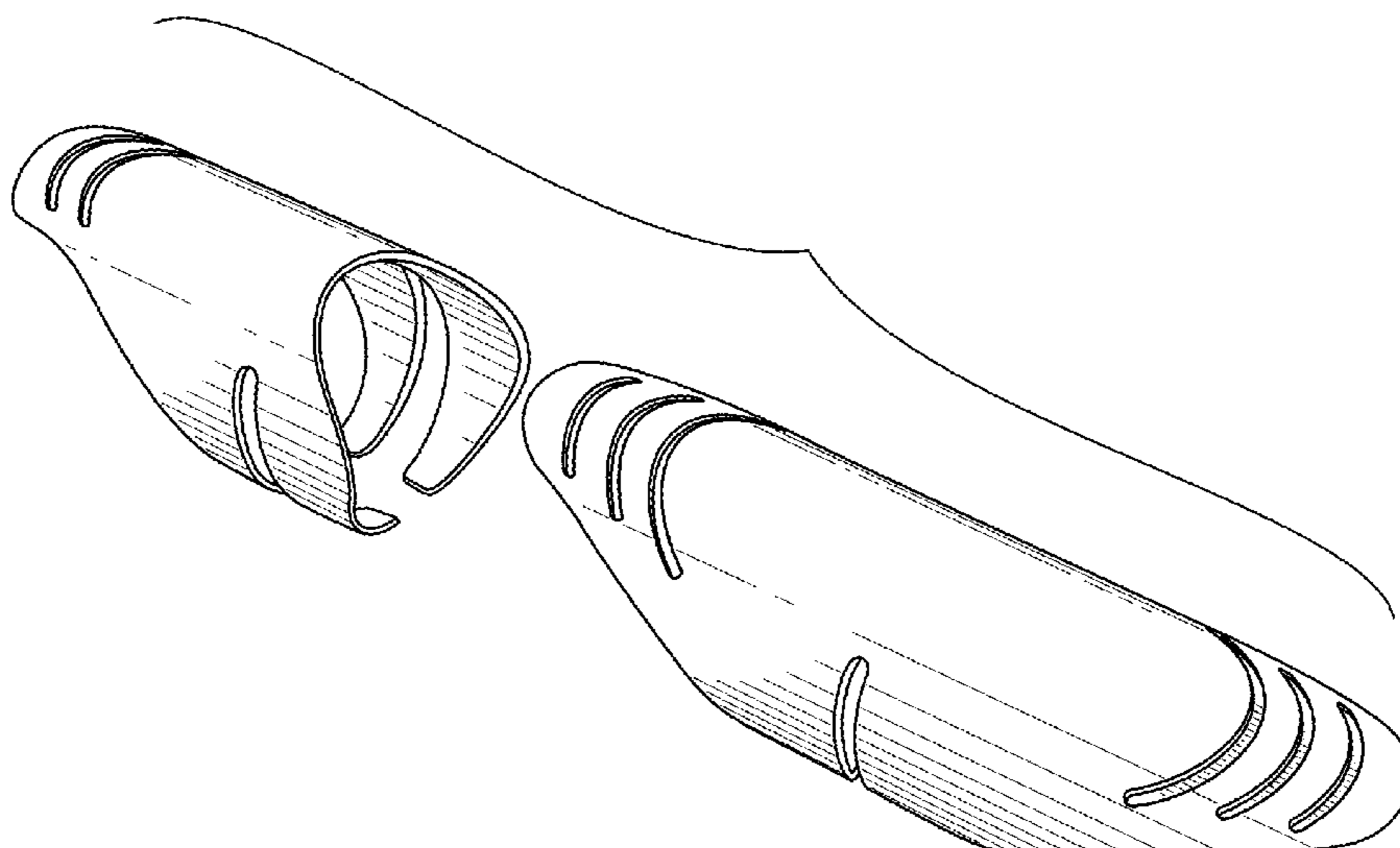
(57) **CLAIM**

The ornamental design for a finger protector for cutting hair,
as shown and described.

DESCRIPTION

FIG. 1 is a perspective view of the finger protector showing my new design;
 FIG. 2 is a perspective view of the finger protector in use, showing my new design;
 FIG. 3 is a front view thereof;
 FIG. 4 is a left side view thereof, the right side being a mirror image thereof.
 FIG. 5 is a right side view thereof;
 FIG. 6 is a top view thereof; and,
 FIG. 7 is a bottom view thereof.
 The broken lines in FIG. 2 illustrate the environment and form no part of the claimed design.

1 Claim, 3 Drawing Sheets



(56)

References Cited

U.S. PATENT DOCUMENTS

D640,835	S *	6/2011	Logan	D29/114
D657,094	S *	4/2012	Logan	D29/114
8,516,612	B2 *	8/2013	Lynn	A41D 13/087 2/21
D702,402	S *	4/2014	Pew	D29/113
D715,951	S *	10/2014	Stuart	D24/190
D733,963	S *	7/2015	Dossett	D11/27
2006/0253952	A1 *	11/2006	Caudillo	A41D 13/087 2/21
2008/0222764	A1 *	9/2008	Gard	B26B 29/04 2/21

* cited by examiner

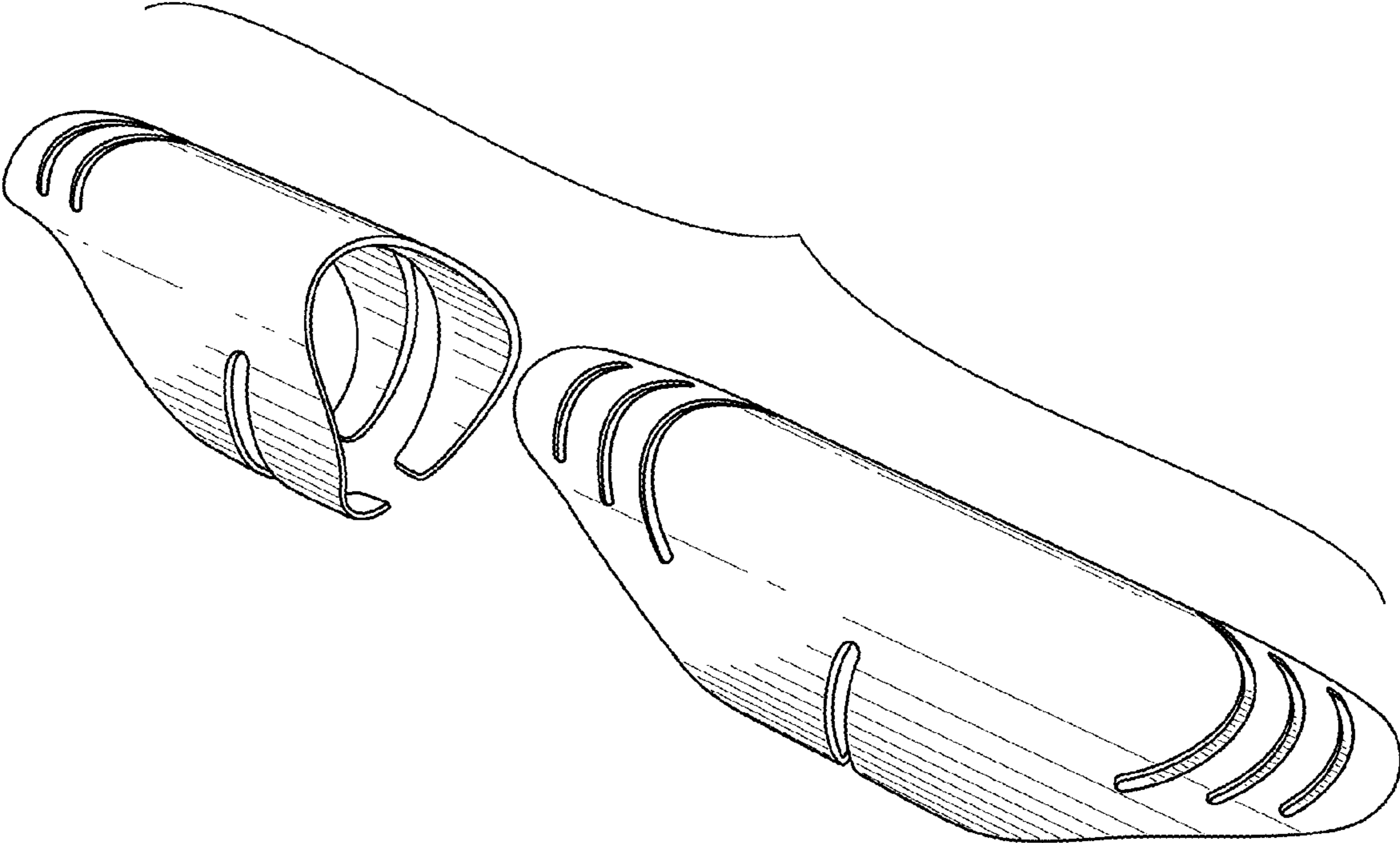


FIG. 1

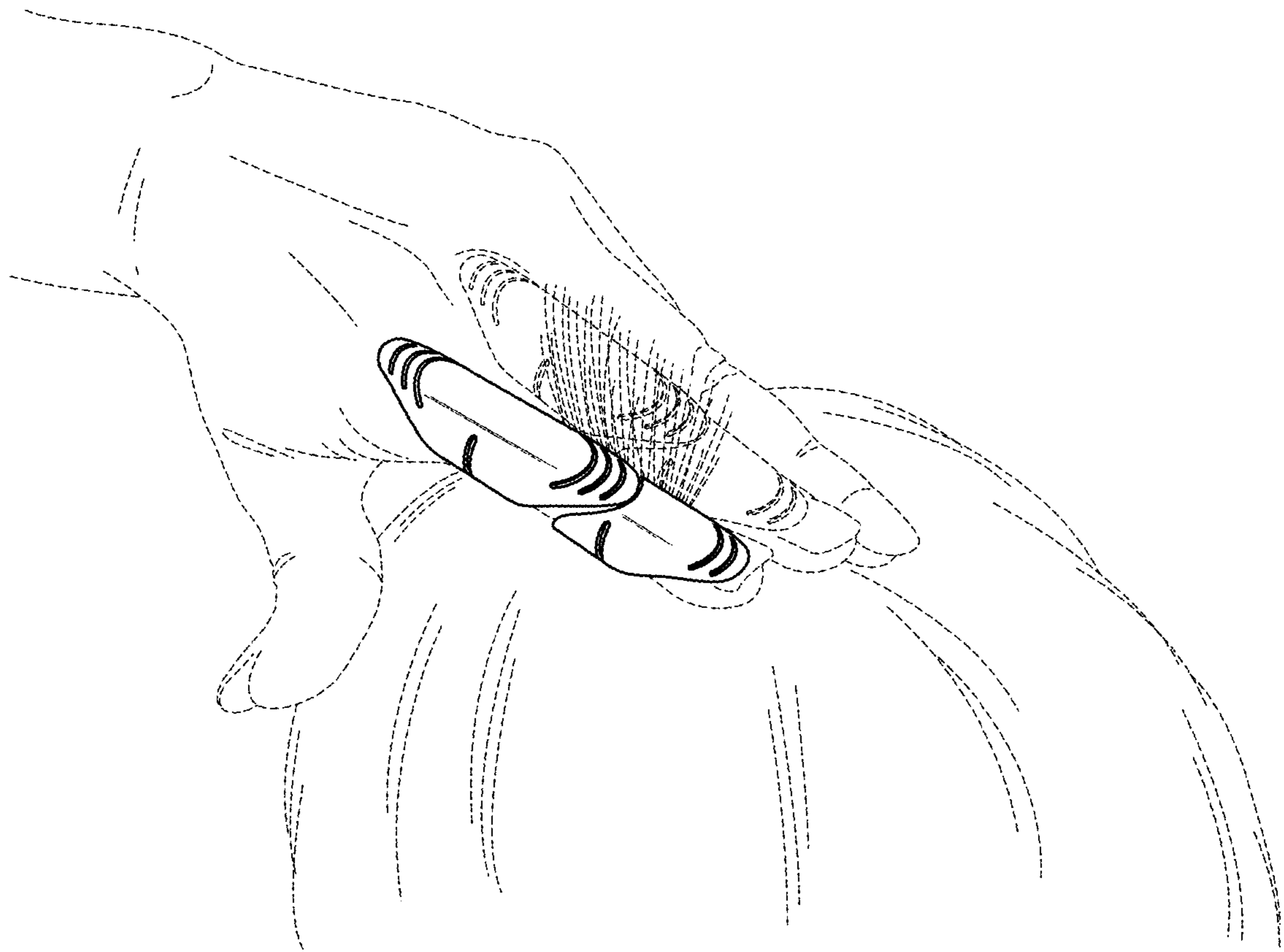


FIG. 2

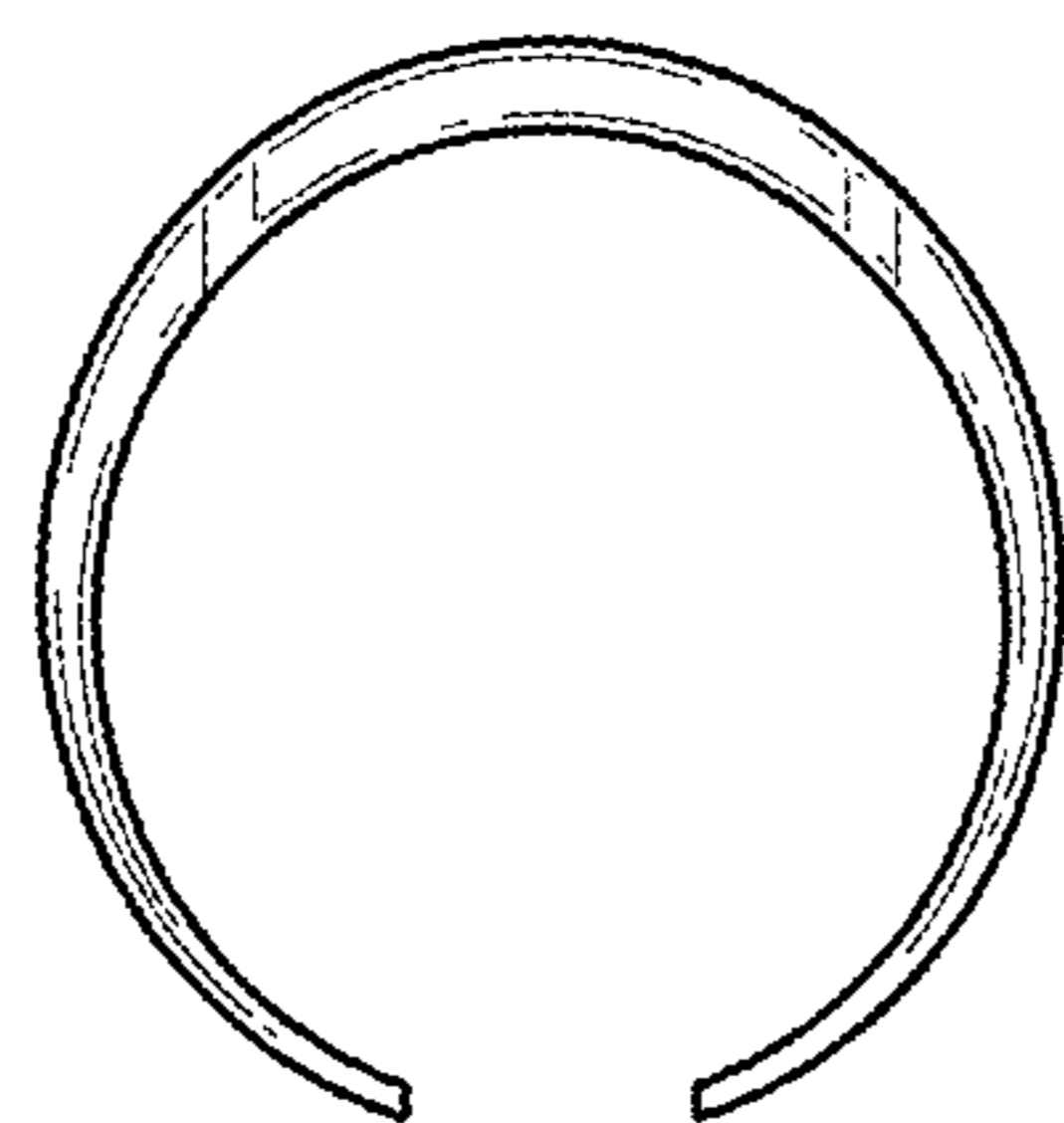


FIG. 3

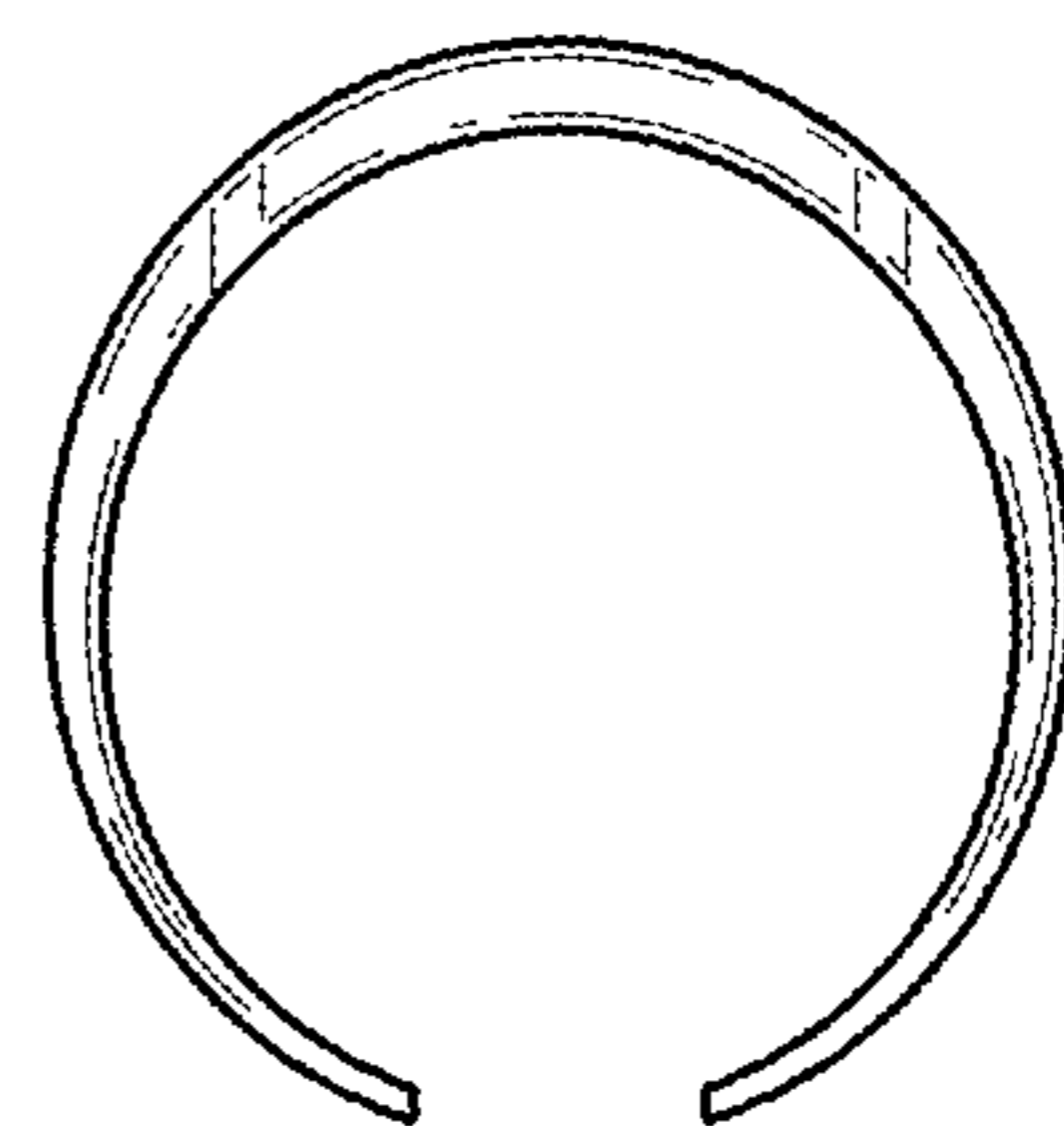


FIG. 4

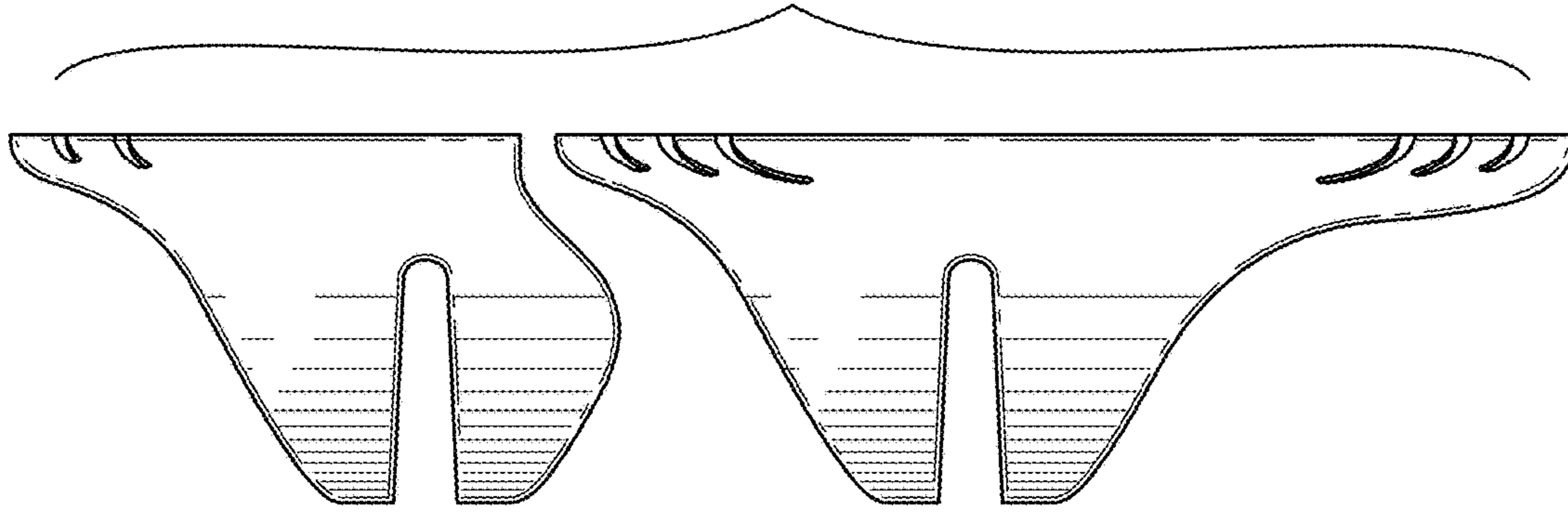


FIG. 5

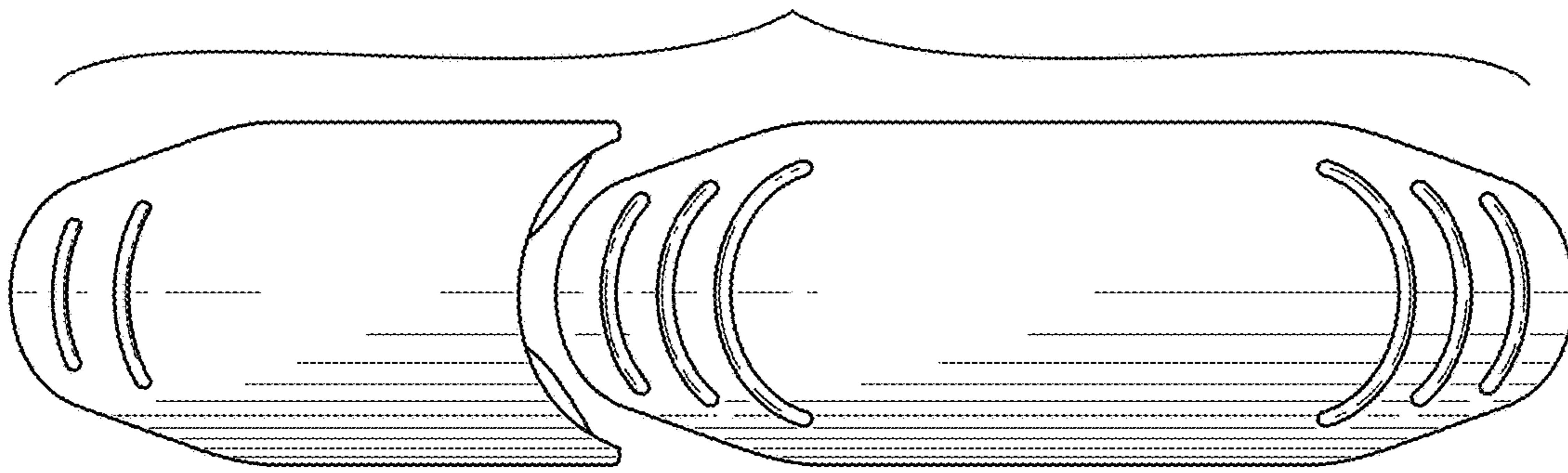


FIG. 6

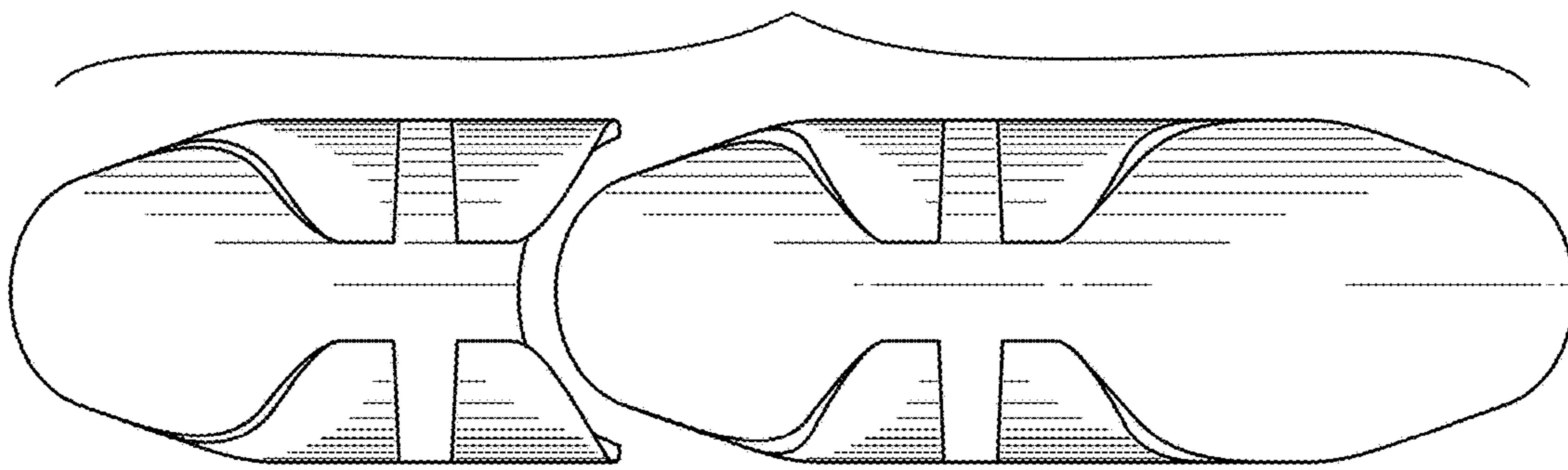


FIG. 7