



US00D789599S

(12) **United States Design Patent**
Kesselman et al.

(10) **Patent No.:** **US D789,599 S**

(45) **Date of Patent:** **** Jun. 13, 2017**

- (54) **STORAGE AND ROLLING CASE**
- (71) Applicants: **Joshua David Kesselman**, Vancouver (CA); **Ian Kobe**, Tempe, AZ (US)
- (72) Inventors: **Joshua David Kesselman**, Vancouver (CA); **Ian Kobe**, Tempe, AZ (US)
- (73) Assignee: **BBK TOBACCO & FOODS, LLP**, Phoenix, AZ (US)
- (**) Term: **15 Years**
- (21) Appl. No.: **29/564,346**
- (22) Filed: **May 12, 2016**
- (51) **LOC (10) Cl.** **27-06**
- (52) **U.S. Cl.**
USPC **D27/189**
- (58) **Field of Classification Search**
USPC D27/172, 173, 174, 175, 176, 177, 178, D27/180, 181, 182, 183, 186-192; D9/651, 748, 749, 759, 760; D3/200, D3/203.1, 205, 206, 294, 326
CPC A24F 15/00; A24F 15/005; A24F 15/02; A24F 15/12; A24F 15/14; A24F 15/18; A24F 15/20; A24F 23/00; A24F 23/02; A24F 23/04; B65D 85/1045; B65D 85/1063; B65D 85/1072; B65D 5/0254
See application file for complete search history.

D378,895 S *	4/1997	Bankier	D9/456
D379,010 S *	4/1997	Digianni	D27/189
D385,653 S *	10/1997	Wicker	D27/187
D416,105 S *	11/1999	Garrison	D27/189
D663,520 S *	7/2012	Antler	D3/205
D692,615 S *	10/2013	Verleur	D27/186
D693,054 S *	11/2013	Verleur	D27/189
D715,051 S *	10/2014	Tung	D3/294
D741,200 S *	10/2015	Lee	D9/748
D751,251 S *	3/2016	Fath	D27/189
D762,487 S *	8/2016	Safiullin	D9/756
2008/0017531 A1 *	1/2008	Tanbo	B65D 85/1072 206/264

* cited by examiner

Primary Examiner — Eric Goodman
Assistant Examiner — Jennifer Wright
 (74) *Attorney, Agent, or Firm* — Weiss & Moy, P.C.;
 Jeffrey D. Moy

(57) **CLAIM**

The ornamental design for a storage and rolling case, as shown and described.

DESCRIPTION

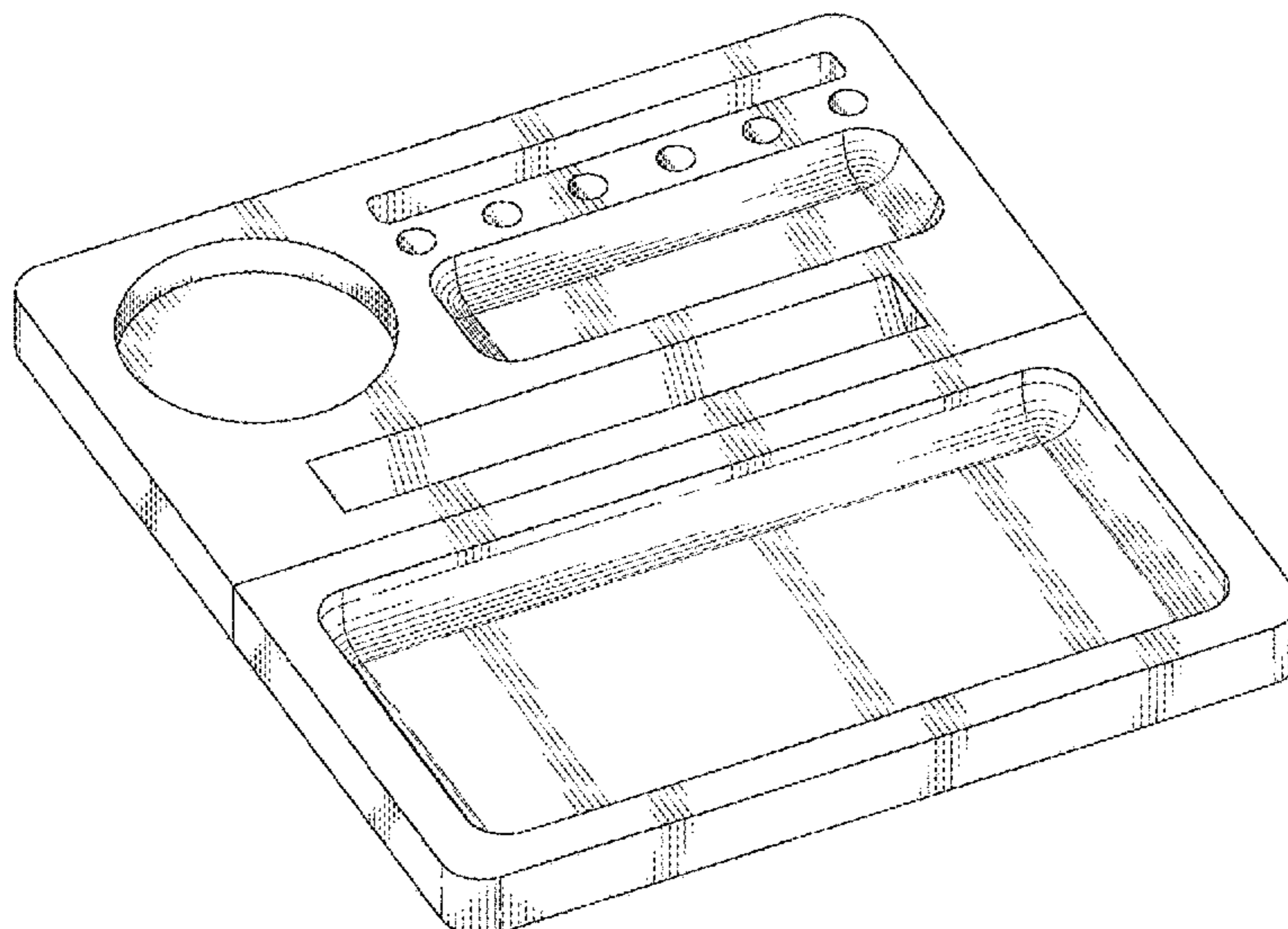
FIG. 1 is a perspective view of a storage and rolling case in an open position;
 FIG. 2 is a top view of the storage and rolling case in an open position;
 FIG. 3 is a bottom view of the storage and rolling case in an open position;
 FIG. 4 is a side view of the storage and rolling case in an open position, the opposing side being a mirror image thereof;
 FIG. 5 is a front view of the a storage and rolling case in an open position, the rear view being a mirror image thereof; and,
 FIG. 6 is a perspective view of the storage and rolling case in a closed position.

1 Claim, 5 Drawing Sheets

(56) **References Cited**

U.S. PATENT DOCUMENTS

D64,709 S *	5/1924	Baum	D3/294
2,122,158 A *	6/1938	Segal	A45D 27/22 206/228
D316,359 S *	4/1991	Anderson	D7/549
D321,284 S *	11/1991	Marsella	D3/295
D332,324 S *	1/1993	Howey, Jr.	D27/128
D333,264 S *	2/1993	Kaplan	D3/264
D340,353 S *	10/1993	Benarrouch	D28/83



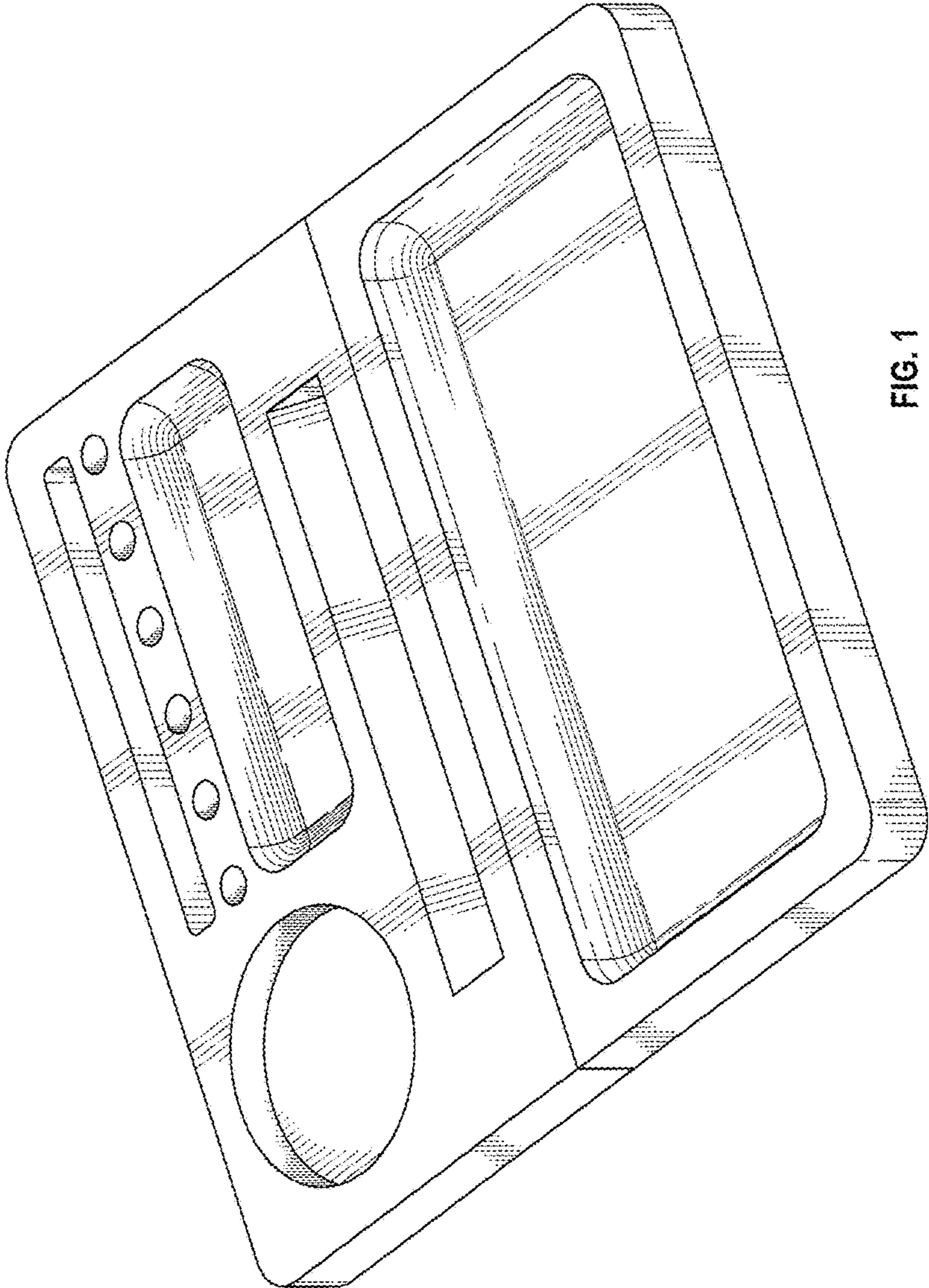


FIG. 1

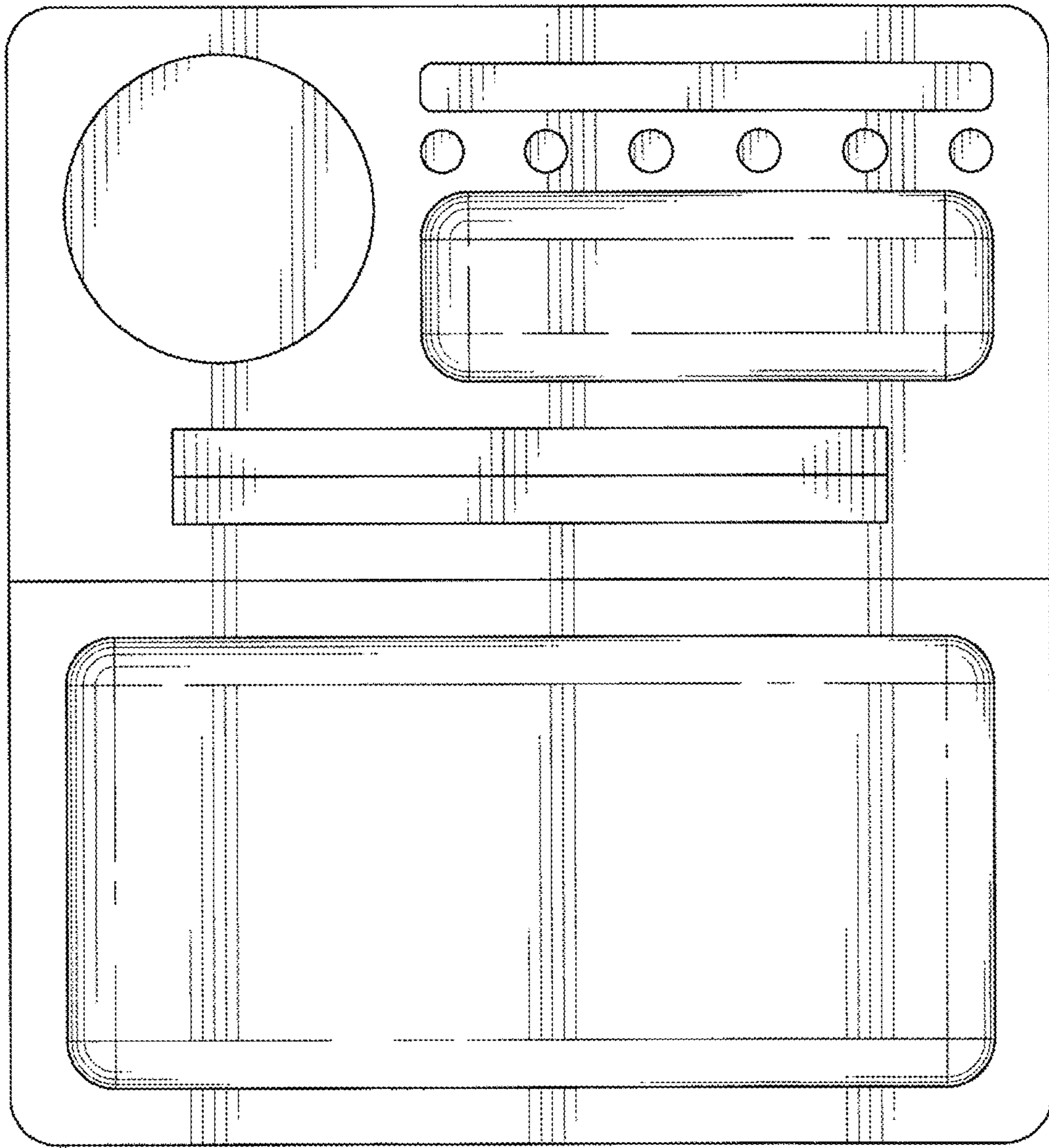


FIG. 2

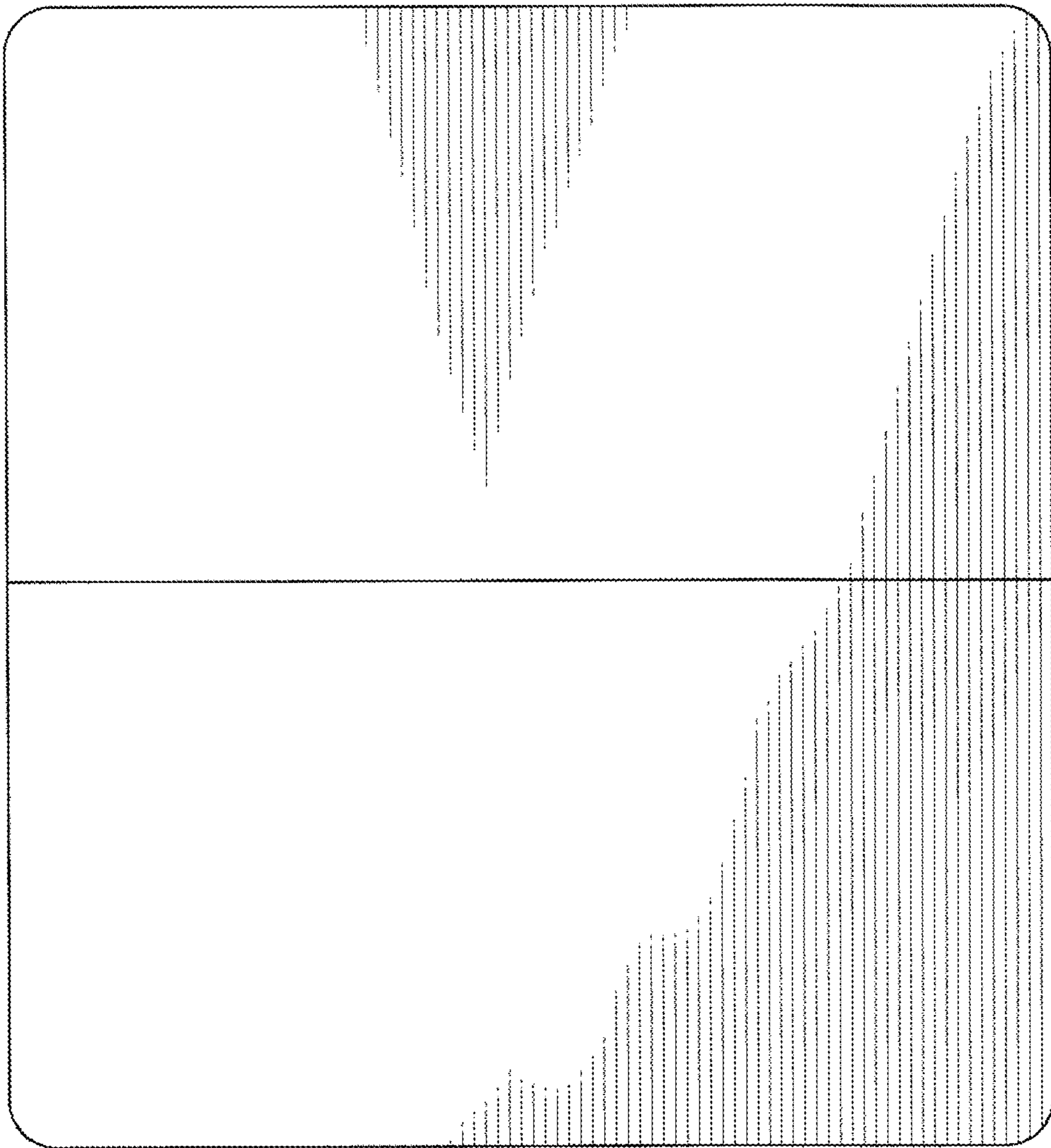


FIG. 3

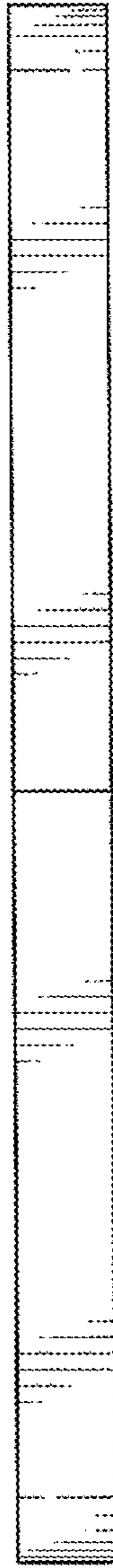


FIG. 4



FIG. 5

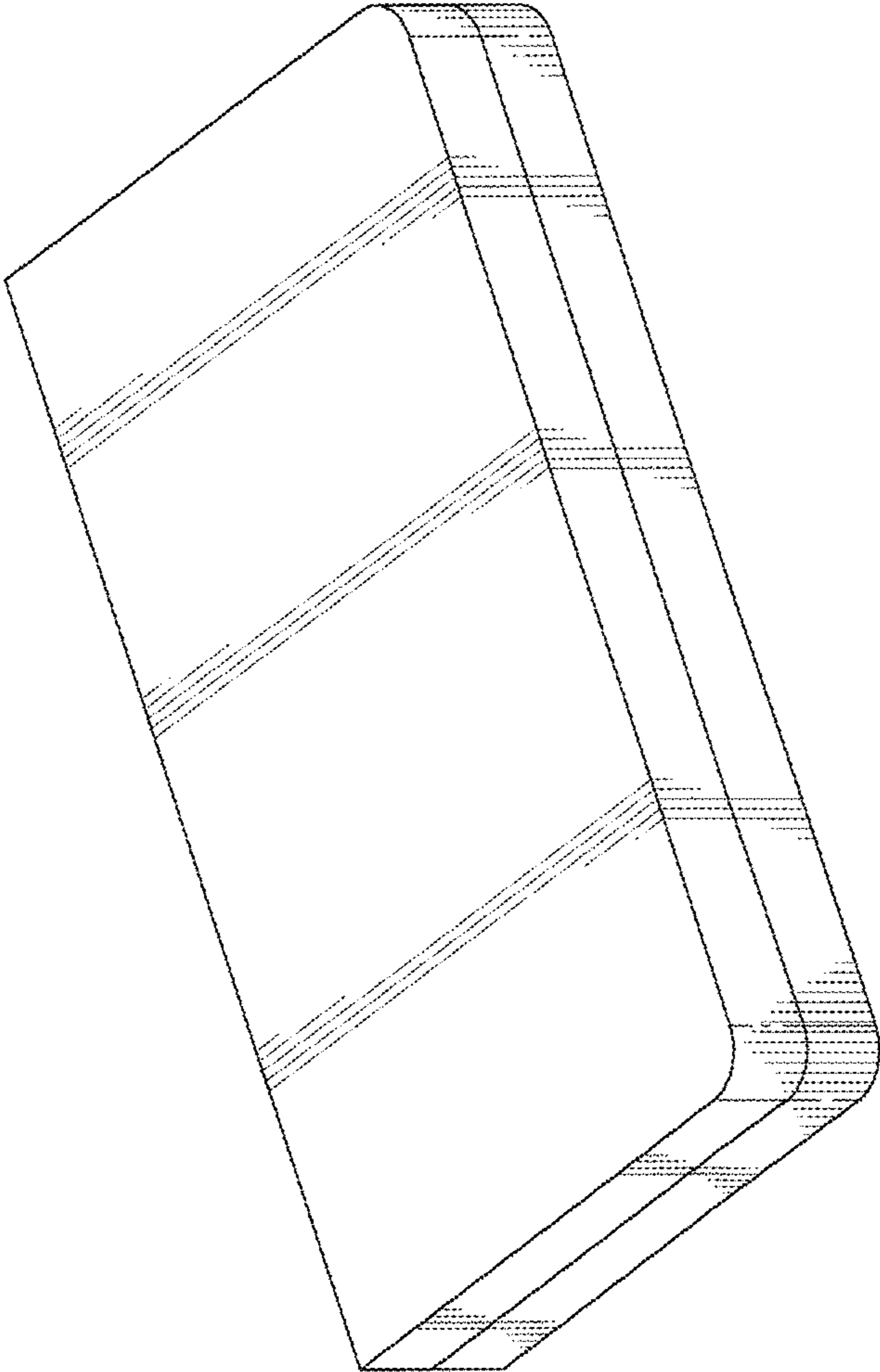


FIG. 6