



US00D789597S

(12) **United States Design Patent**  
**Wallach**

(10) **Patent No.:** **US D789,597 S**  
(45) **Date of Patent:** **\*\* Jun. 13, 2017**

(54) **LAMP HOLDER (CLAMP LAMP)**  
(71) Applicant: **Capstone Industries, Inc.**, Deerfield Beach, FL (US)  
(72) Inventor: **Stewart Wallach**, Deerfield Beach, FL (US)  
(73) Assignee: **CAPSTONE INDUSTRIES, INC.**, Deerfield Beach, FL (US)  
(\*\*) Term: **15 Years**

D232,321 S \* 8/1974 Feltham ..... D26/141  
D328,650 S \* 8/1992 Jones ..... D26/81  
D425,655 S \* 5/2000 Dolan ..... D26/142  
6,267,491 B1 \* 7/2001 Parrigin ..... F21S 48/255  
362/153  
D465,061 S \* 10/2002 Guthrie ..... D26/138  
D509,314 S \* 9/2005 Rashidi ..... D26/74  
D654,214 S \* 2/2012 Huang ..... D26/139  
D667,989 S \* 9/2012 May ..... D26/139  
D694,456 S \* 11/2013 Rowlette, Jr. .... D26/74  
D707,877 S \* 6/2014 Turner ..... D26/118  
D770,084 S \* 10/2016 Salomon ..... D26/138  
2007/0035951 A1 \* 2/2007 Tseng ..... F21V 33/0044  
362/294

(21) Appl. No.: **29/562,586**

\* cited by examiner

(22) Filed: **Apr. 27, 2016**

*Primary Examiner* — George D Kirschbaum

*Assistant Examiner* — Natasha Vujcic

(30) **Foreign Application Priority Data**

(74) *Attorney, Agent, or Firm* — Ladas & Parry LLP

Dec. 28, 2015 (CN) ..... 2015 3 0561416

(51) **LOC (10) Cl.** ..... **26-99**

(52) **U.S. Cl.**  
USPC ..... **D26/138**

(57) **CLAIM**

(58) **Field of Classification Search**  
USPC ..... D26/76, 78, 79, 80, 81, 82, 83, 85, 88,  
D26/90, 93, 110, 118, 119, 120, 121, 122,  
D26/138, 140-142  
CPC .... F21S 4/00; F21S 4/003; F21S 4/006; F21S  
4/007; F21S 4/008; F21S 6/004; F21S  
6/005; F21K 9/54; F21V 15/01; F21V  
15/013

I clam, the ornamental design for a lamp holder (clamp lamp), as shown and described.

See application file for complete search history.

**DESCRIPTION**

(56) **References Cited**

FIG. 1 is a front view of a lamp holder (clap lamp).  
FIG. 2 is a left view thereof;  
FIG. 3 is a top view thereof;  
FIG. 4 is a bottom view thereof;  
FIG. 5 is a perspective view thereof; and,  
FIG. 6 is another perspective view.

**U.S. PATENT DOCUMENTS**

D56,258 S \* 9/1920 Ryder ..... D26/139  
D158,240 S \* 4/1950 Wood ..... D26/139

**1 Claim, 6 Drawing Sheets**

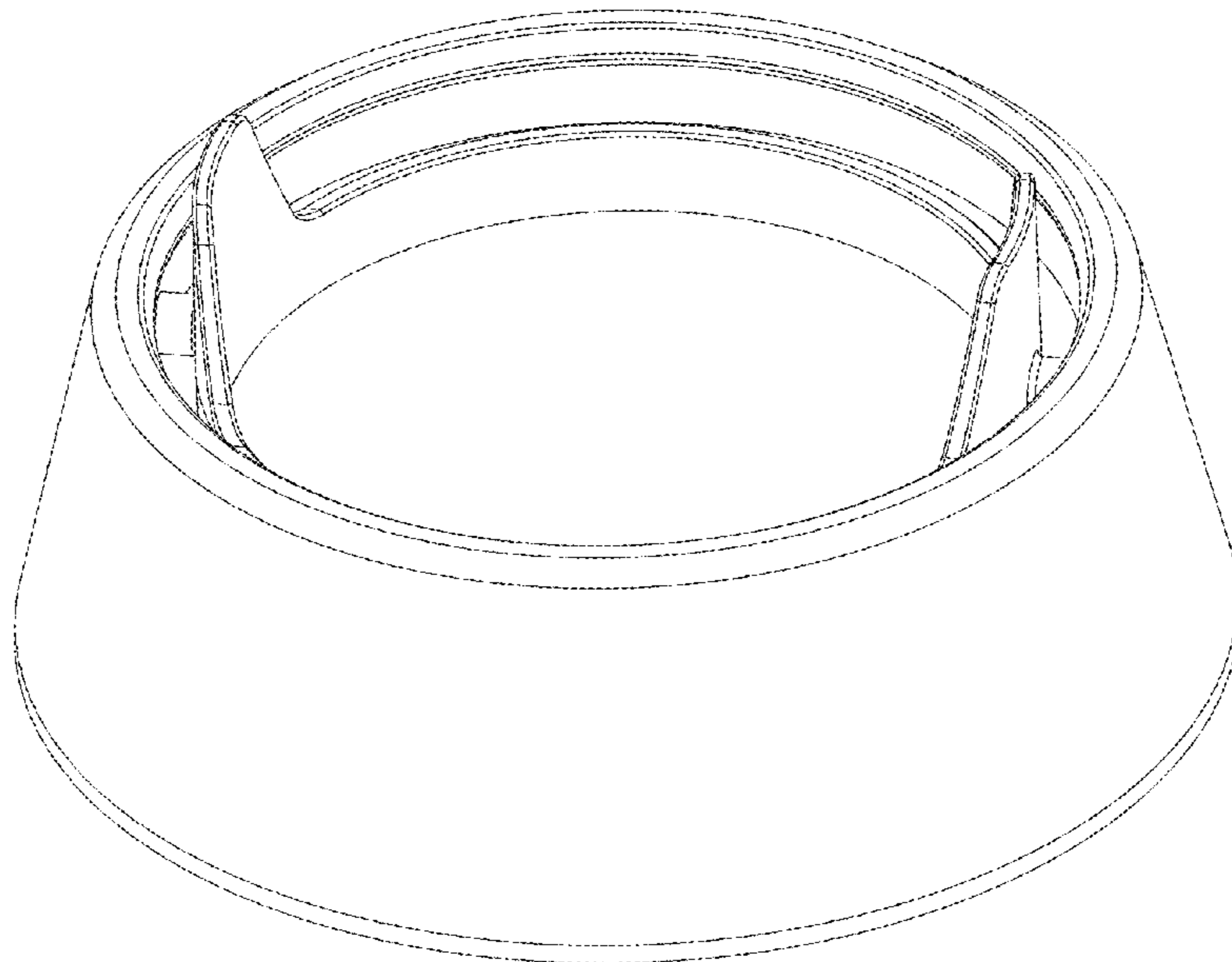


FIGURE 1

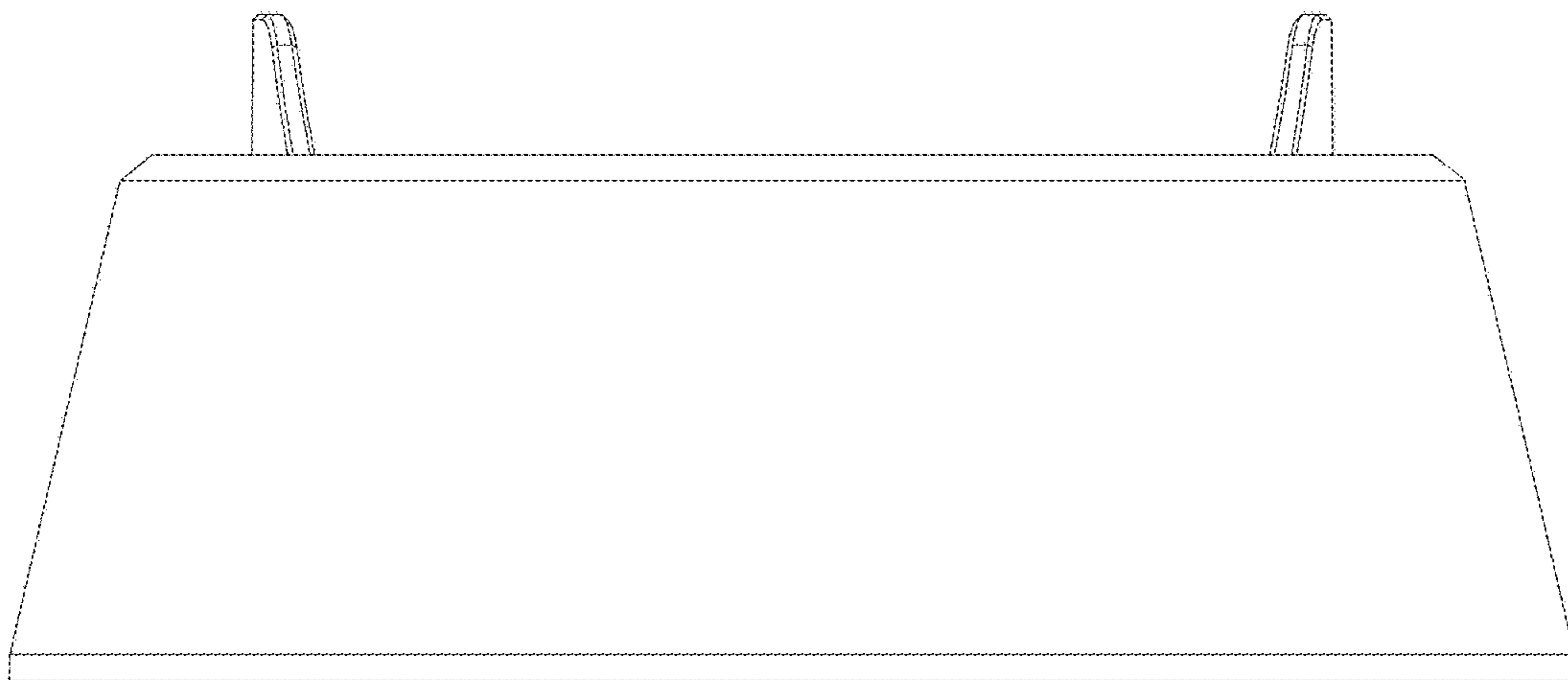


FIGURE 2

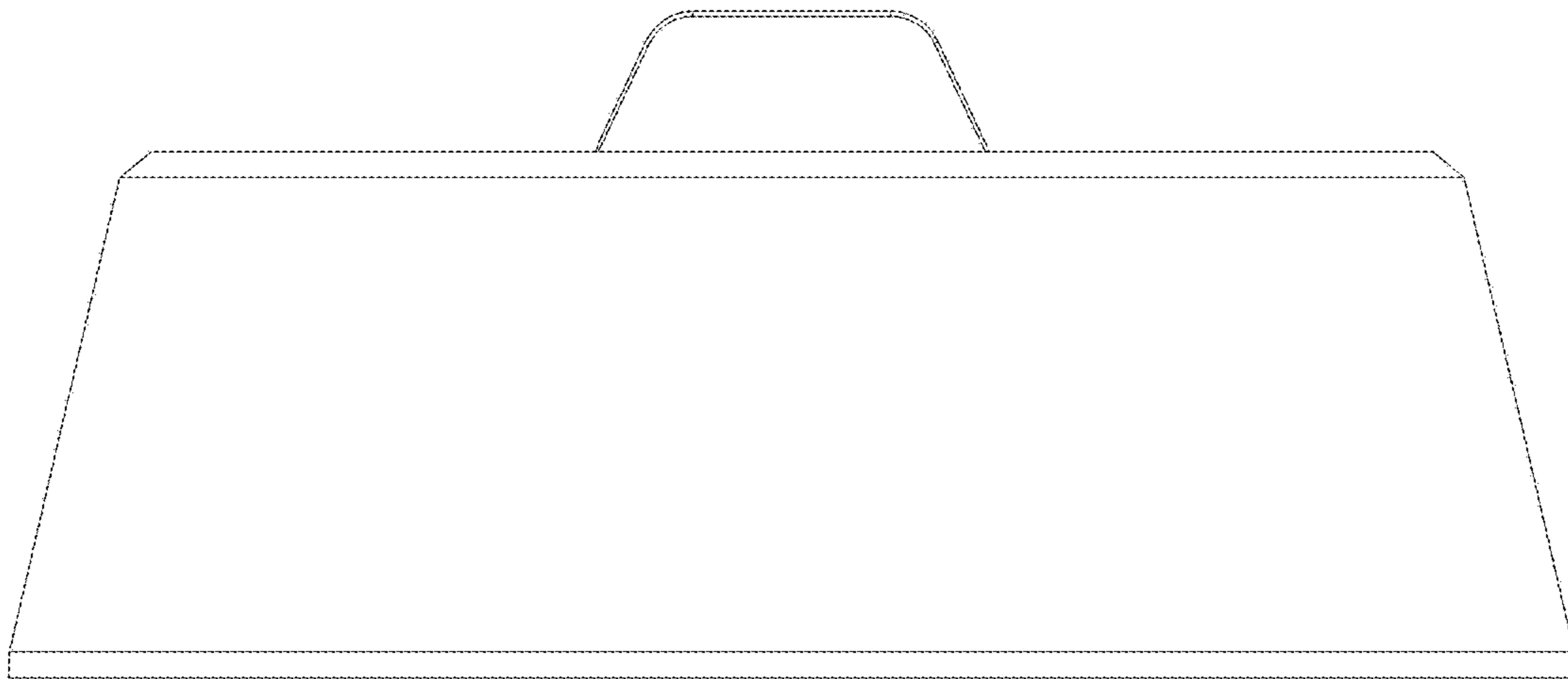


FIGURE 3

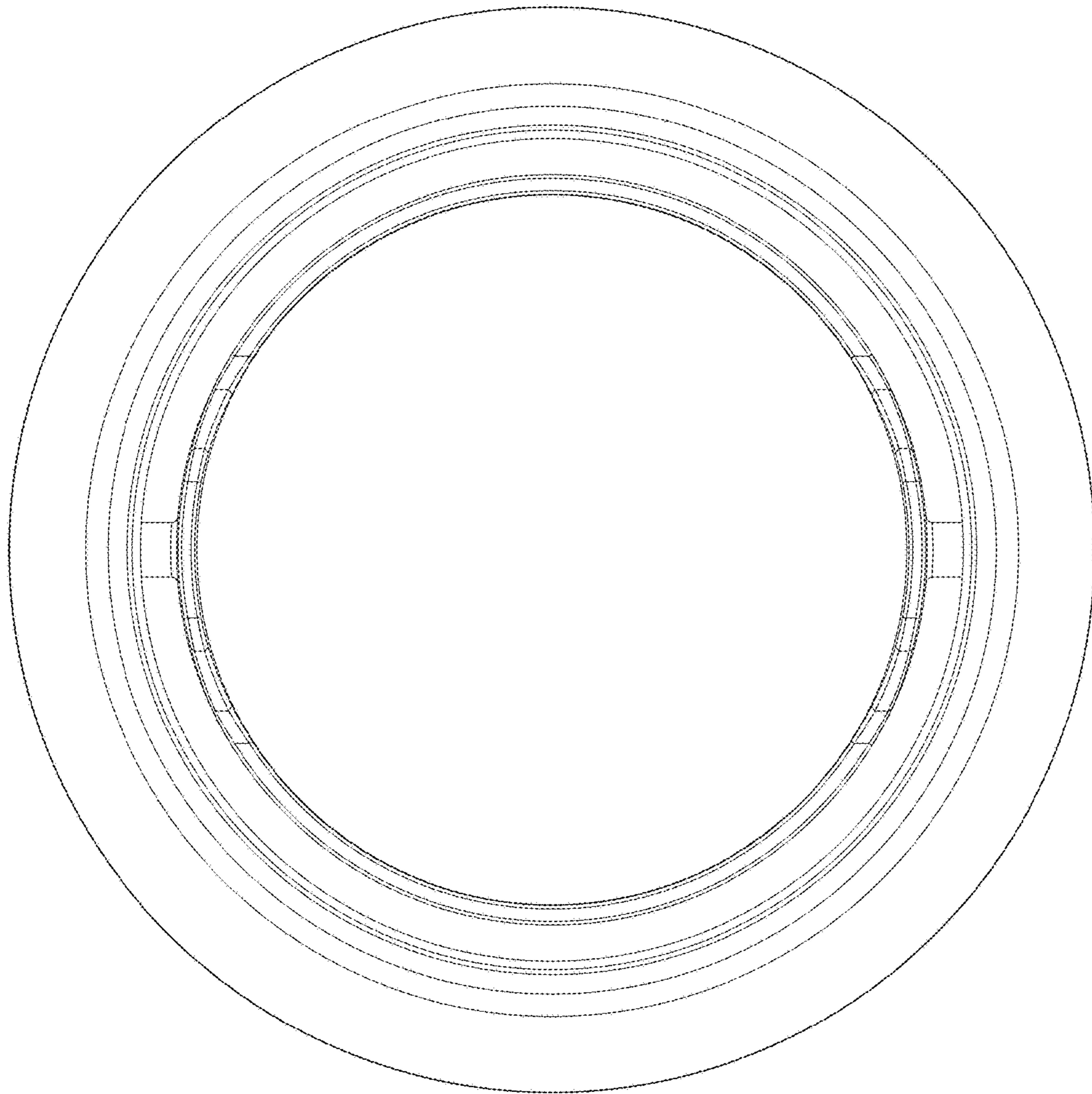


FIGURE 4

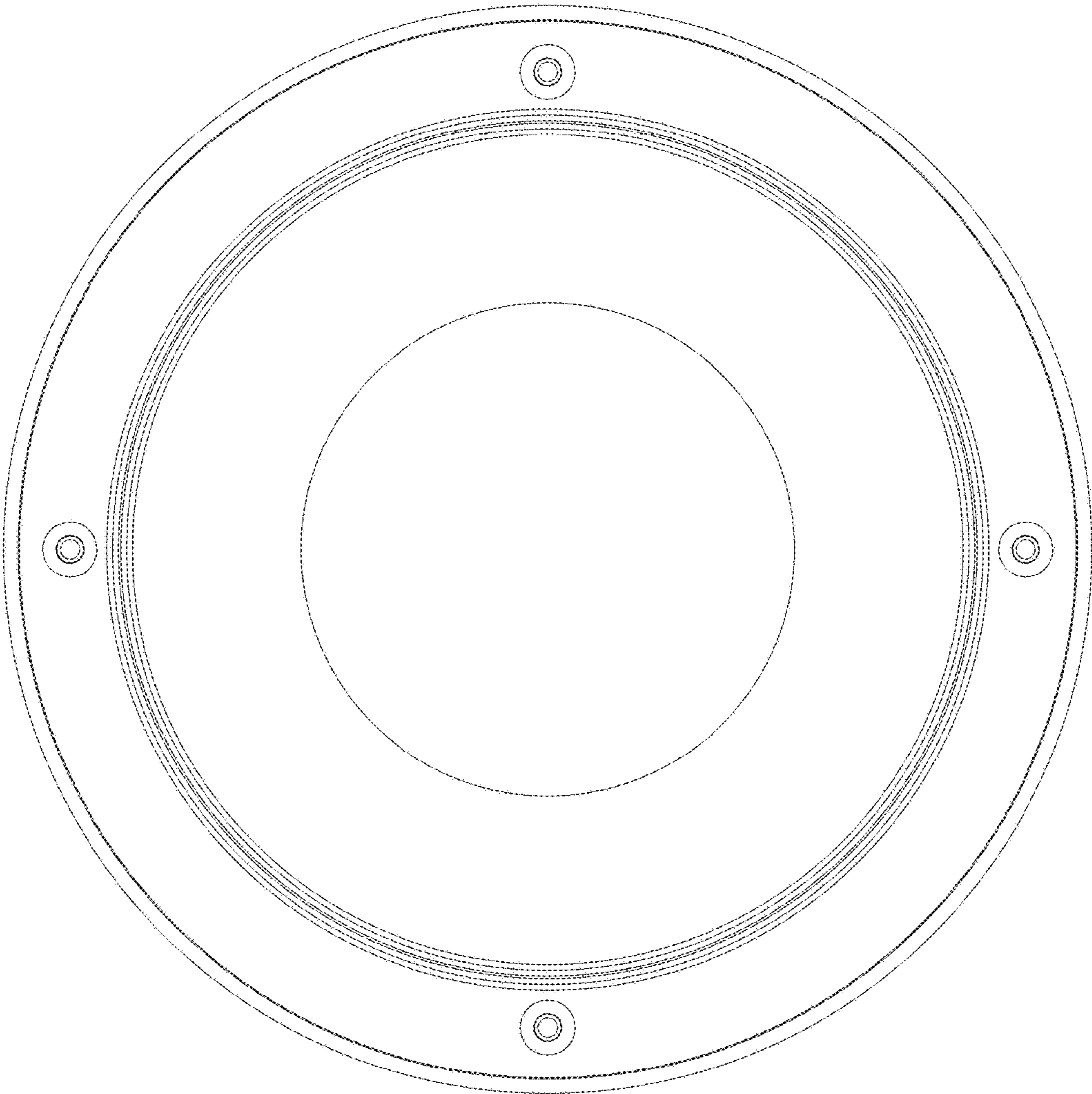




FIGURE 5

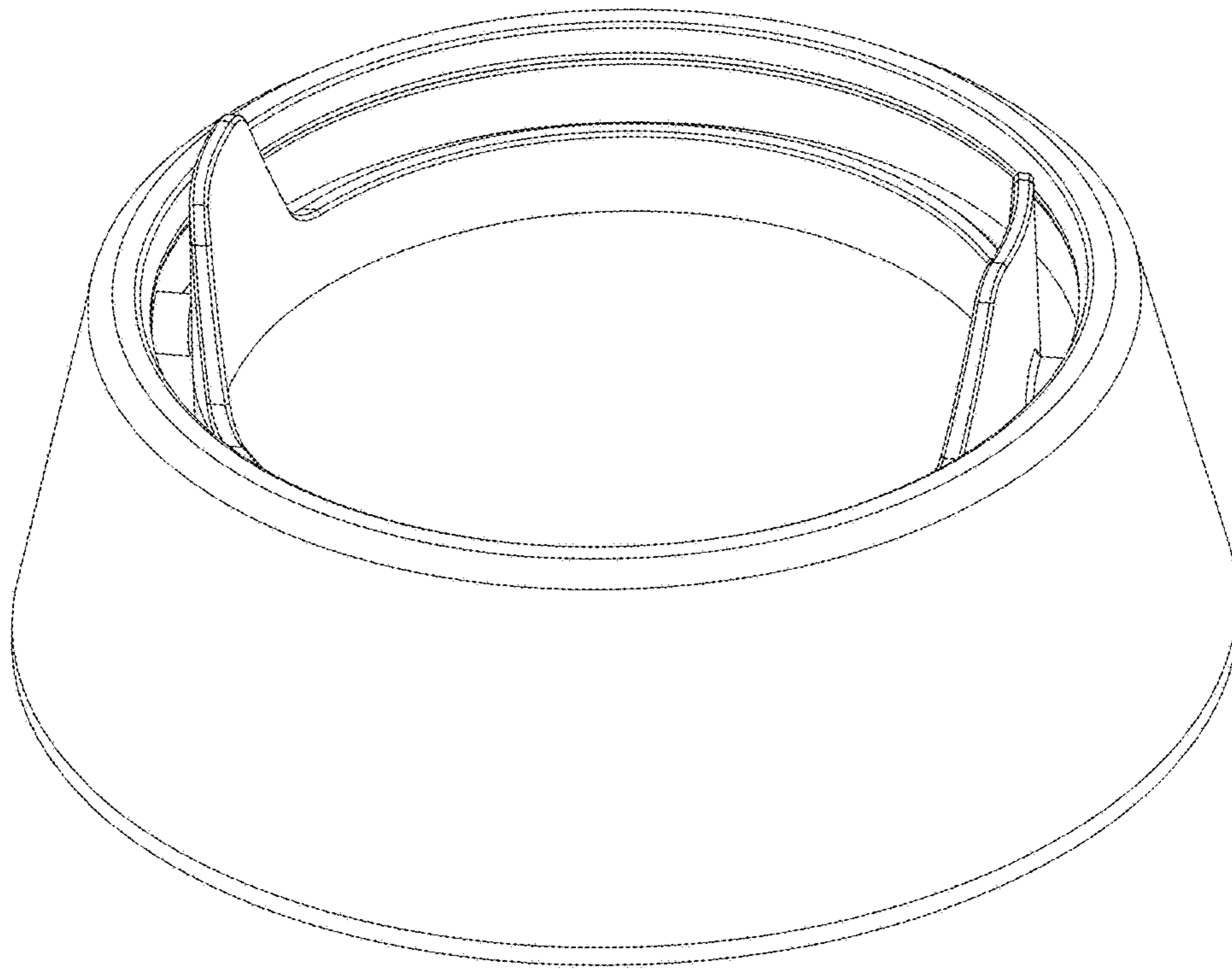


FIGURE 6

