



US00D789596S

(12) **United States Design Patent**  
**Sonneman**

(10) **Patent No.:** **US D789,596 S**

(45) **Date of Patent:** **\*\* Jun. 13, 2017**

(54) **HANGER ASSEMBLY FOR LIGHT FIXTURE  
POWER BARS**

(71) Applicant: **Robert A. Sonneman**, Mamaroneck,  
NY (US)

(72) Inventor: **Robert A. Sonneman**, Mamaroneck,  
NY (US)

(\*\*) Term: **15 Years**

(21) Appl. No.: **29/560,938**

(22) Filed: **Apr. 12, 2016**

(51) **LOC (10) Cl.** ..... **26-99**

(52) **U.S. Cl.**  
USPC ..... **D26/138**

(58) **Field of Classification Search**

USPC ... D6/2, 3, 8, 23-27, 37, 38, 39, 40, 44, 46,  
D6/48, 49, 50, 60, 61, 63, 65, 67, 104,  
D6/113, 118, 119, 138, 140-145, 148,  
D6/152, 153, 155, 156; D8/382, 383,  
D8/390, 395; D10/111-115; D13/134,  
D13/179; D14/473; D25/126-135  
CPC ..... F21S 8/02; F21S 8/03; F21S 8/036; F21S  
8/037; F21S 8/043; F21S 8/063; F21S  
8/061; F21S 8/066; F21S 6/00; F21S  
6/001; F21S 10/063; F21S 13/12; F21V  
21/03; F21V 21/34; F21V 23/001  
See application file for complete search history.

(56) **References Cited**

**U.S. PATENT DOCUMENTS**

2,598,045	A	*	5/1952	Fox	.....	G11B 25/06 248/279.1
D204,793	S	*	5/1966	Rodriguez	.....	D26/63
D291,929	S	*	9/1987	Kusmer	.....	D26/138
D306,770	S	*	3/1990	Miller	.....	D26/63
D317,521	S	*	6/1991	Fasth	.....	D25/122
D321,469	S	*	11/1991	Pettesch	.....	D15/9.1

D362,323	S	*	9/1995	Kay	.....	D26/140
D779,113	S	*	2/2017	Sonneman	.....	D26/138
D779,712	S	*	2/2017	Sonneman	.....	D26/138
D779,713	S	*	2/2017	Sonneman	.....	D26/138
D779,714	S	*	2/2017	Sonneman	.....	D26/138
D779,715	S	*	2/2017	Sonneman	.....	D26/138

\* cited by examiner

*Primary Examiner* — Garth Rademaker

*Assistant Examiner* — Richard Kearney

(74) *Attorney, Agent, or Firm* — Gottlieb, Rackman &  
Reisman, P.C.

(57) **CLAIM**

The ornamental design for a hanger assembly for light  
fixture power bars, as shown and described.

**DESCRIPTION**

FIG. 1 is a perspective view of a hanger assembly for light  
fixture power bars showing my new design.  
FIG. 2 is a top plan view thereof;  
FIG. 3 is a right side elevational view thereof;  
FIG. 4 is a front elevational view thereof, the rear elevational  
view being a mirror image;  
FIG. 5 is a left side elevational view thereof;  
FIG. 6 is a bottom plan view thereof;  
FIG. 7 is an enlarged exploded view of the head of the  
hanger assembly;  
FIG. 8 is a front elevational view of FIG. 7, the rear  
elevational view being a mirror image; and,  
FIG. 9 is a sectional view taken at line 9-9 of FIG. 1.  
The break lines in FIGS. 1, 3, 4 and 5 are to indicate that the  
appearance of any portion of the hanger assembly between  
the break lines forms no part of the claimed design.  
The broken lines shown in the drawings are included for the  
purpose of illustrating portions of the article that form no  
part of the claimed design.

**1 Claim, 2 Drawing Sheets**

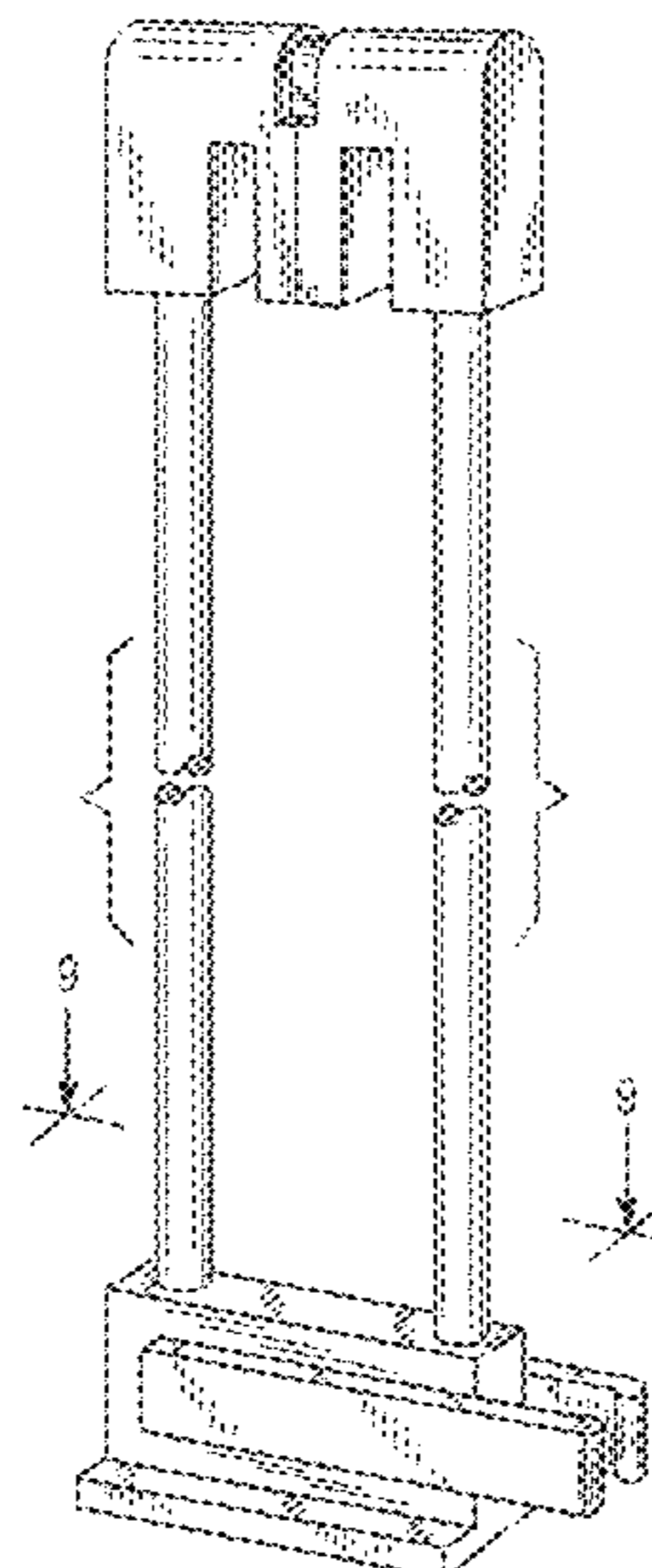


FIG. 1

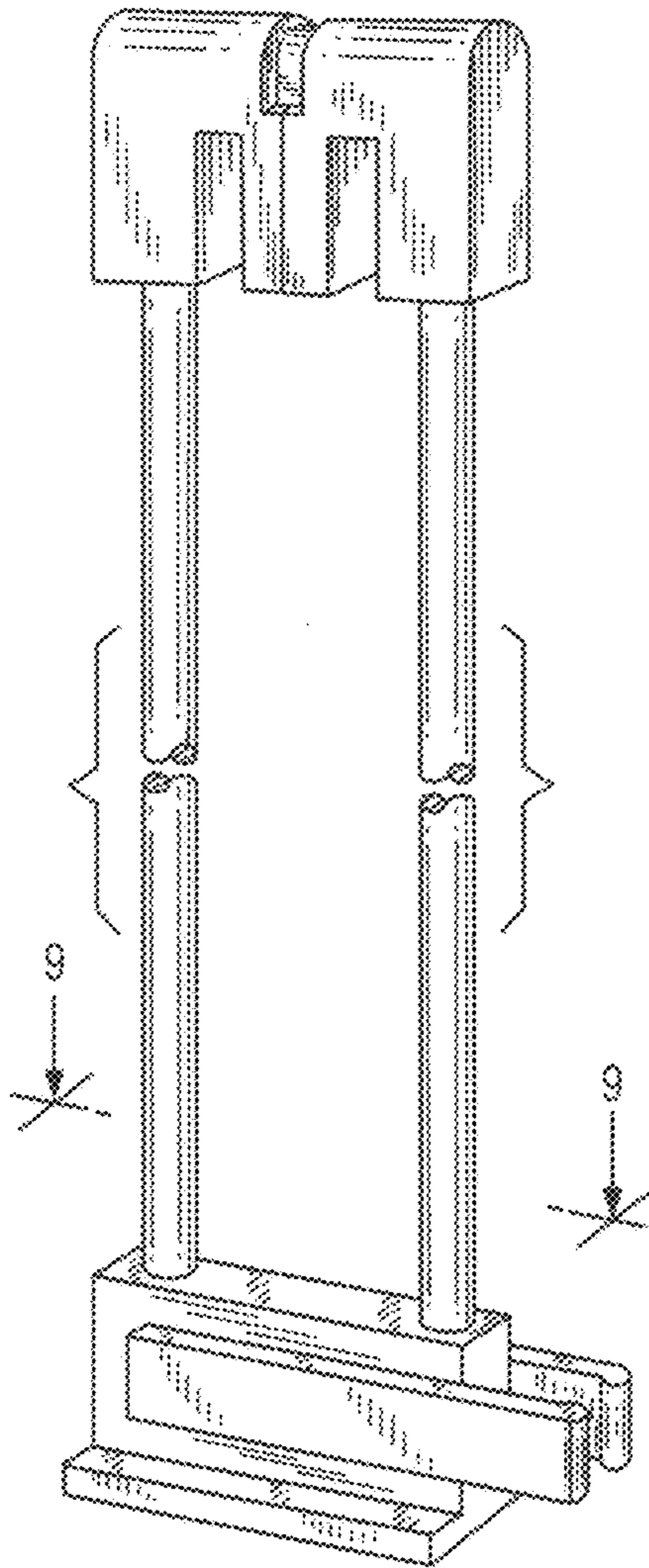


FIG. 2

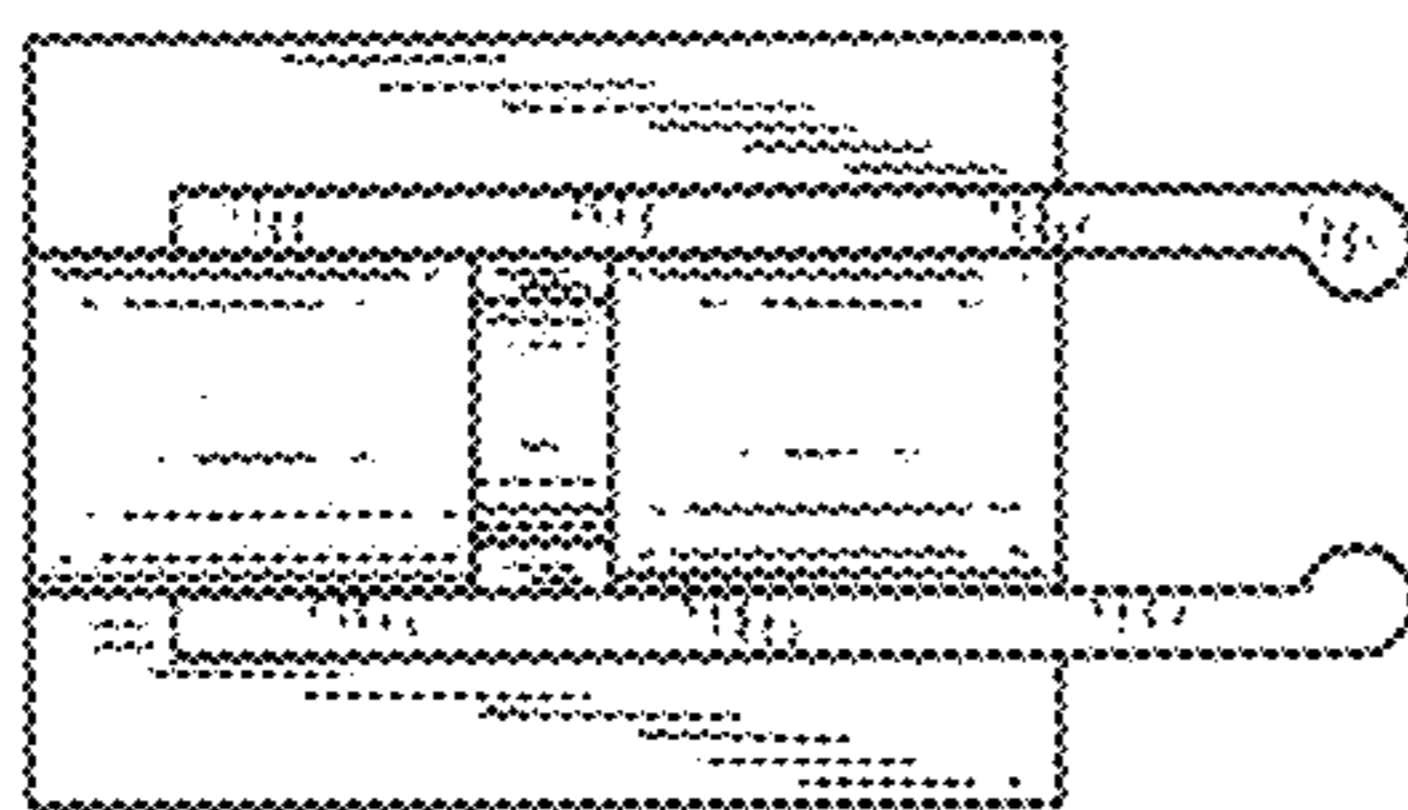


FIG. 3

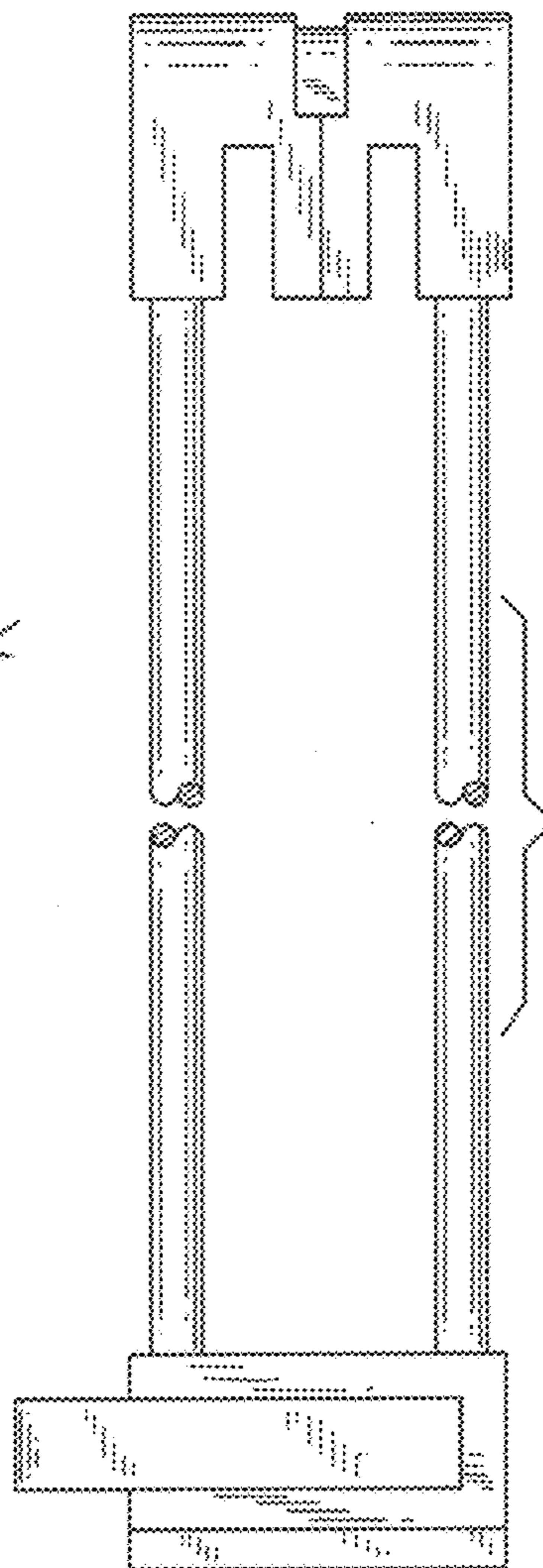
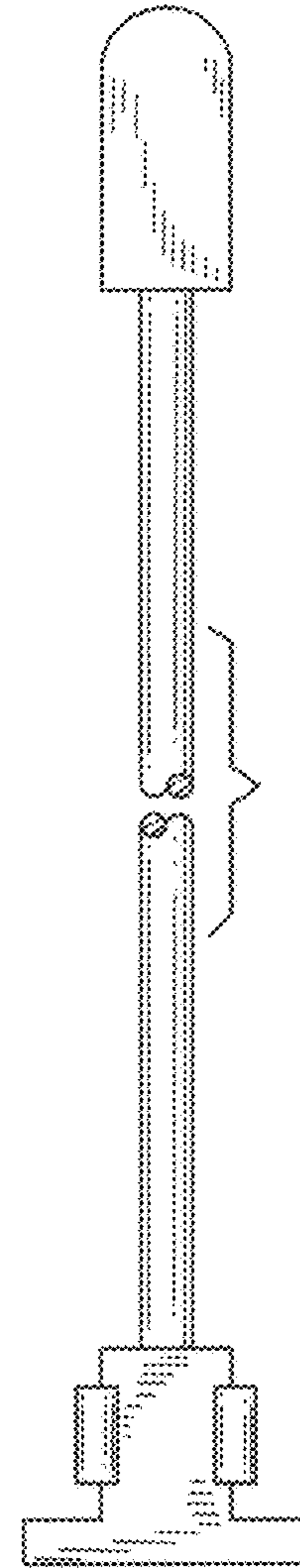


FIG. 4

