



US00D789595S

(12) **United States Design Patent** (10) **Patent No.:** **US D789,595 S**  
**Stanley** (45) **Date of Patent:** **\*\* Jun. 13, 2017**

(54) **BALLAST HANGING BRACKET**

(71) Applicant: **IP Holdings, LLC**, Vancouver, WA (US)  
(72) Inventor: **John Stanley**, Vancouver, WA (US)  
(73) Assignee: **IP Holdings, LLC**, Vancouver, WA (US)  
(\*\*) Term: **15 Years**

(21) Appl. No.: **29/533,943**

(22) Filed: **Jul. 23, 2015**

(51) **LOC (10) Cl.** ..... **26-99**

(52) **U.S. Cl.**

USPC ..... **D26/138**

(58) **Field of Classification Search**

USPC ..... D26/26-28, 60-66, 72-76, 81-82, 106, D26/109, 113, 118, 138-139, 142; D13/107, 108, 110, 123, 133, 135, 137, D13/138, 199; 174/53-54, 101; 362/269, 274; D8/349, 354, 373, 377; D25/119-122  
CPC . H01R 25/14; H01R 25/00; F16J 1/16; H01L 27/14618; H01L 27/14601; H01L 27/14634; G06F 1/1637; E04C 2003/0408; E04C 2003/0421; E04C 2003/043; E04C 2003/0434; E04C 2003/0465

See application file for complete search history.

(56) **References Cited**

**U.S. PATENT DOCUMENTS**

2,518,515 A \* 8/1950 Austin ..... H02G 3/126 248/228.7  
3,104,087 A \* 9/1963 Budnick ..... H02G 3/125 248/216.4  
4,165,851 A \* 8/1979 Bowden, Jr. .... H02G 3/126 248/217.3  
4,511,113 A \* 4/1985 Druffel ..... F21S 8/02 248/216.4

(Continued)

**OTHER PUBLICATIONS**

Galaxy DE Commercial Horizontal Hanging Brackets, Sunlight Supply, <https://sunlightsupply.com/shop/bycategory/commercial-greenhouse-fixtures>, accessed May 6, 2016.

(Continued)

*Primary Examiner* — Eric Goodman

*Assistant Examiner* — Christopher J Matthews

(74) *Attorney, Agent, or Firm* — J. Douglas Wells

(57) **CLAIM**

The ornamental design for a ballast hanging bracket, as shown and described.

**DESCRIPTION**

FIG. 1 is a perspective view of a ballast hanging bracket, as viewed from above, showing my new design in the context of an exemplary ballast;

FIG. 2 is a perspective view of the ballast hanging bracket shown in FIG. 1, as viewed from below;

FIG. 3 is a left side view of the ballast hanging bracket shown in FIG. 1;

FIG. 4 is a front elevation view of the ballast hanging bracket shown in FIG. 1;

FIG. 5 is a right side view of the ballast hanging bracket shown in FIG. 1;

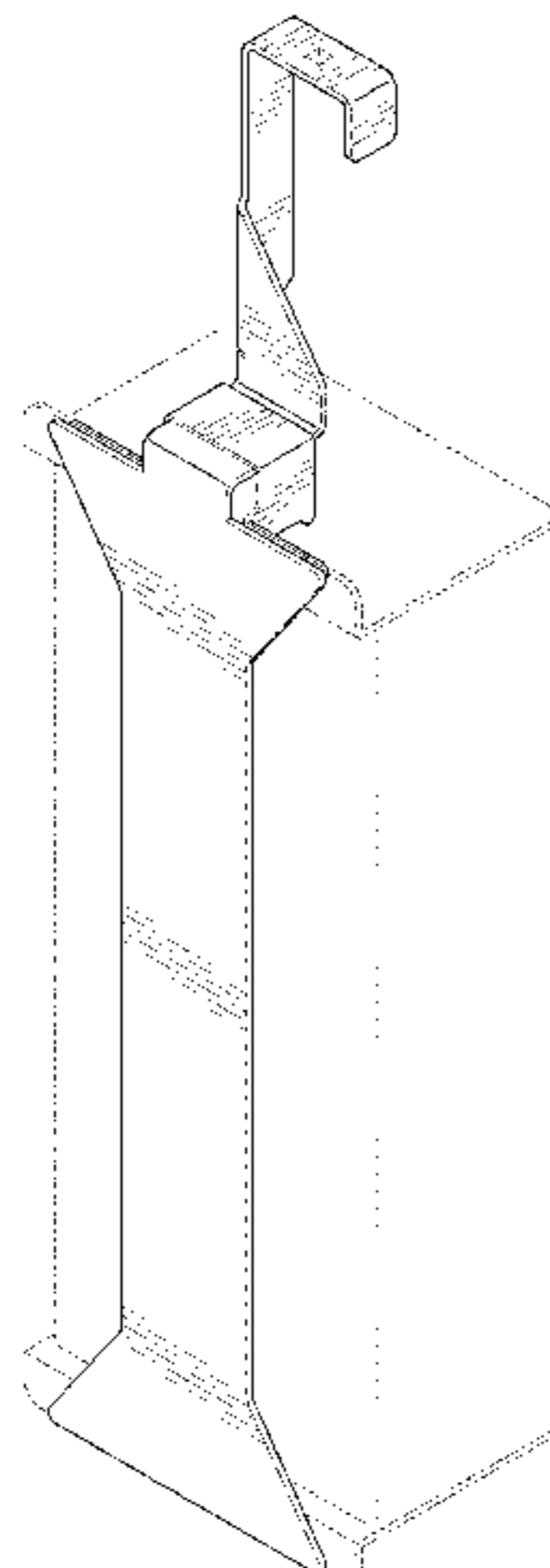
FIG. 6 is a top plan view of the ballast hanging bracket shown in FIG. 1;

FIG. 7 is a bottom plan view of the ballast hanging bracket shown in FIG. 1; and,

FIG. 8 is a rear elevation view of the ballast hanging bracket shown in FIG. 1.

The broken-line disclosure shown in the views is understood to represent portions of the article in which the claimed design is embodied, but which form no part of the claimed design.

**1 Claim, 3 Drawing Sheets**



(56)

References Cited

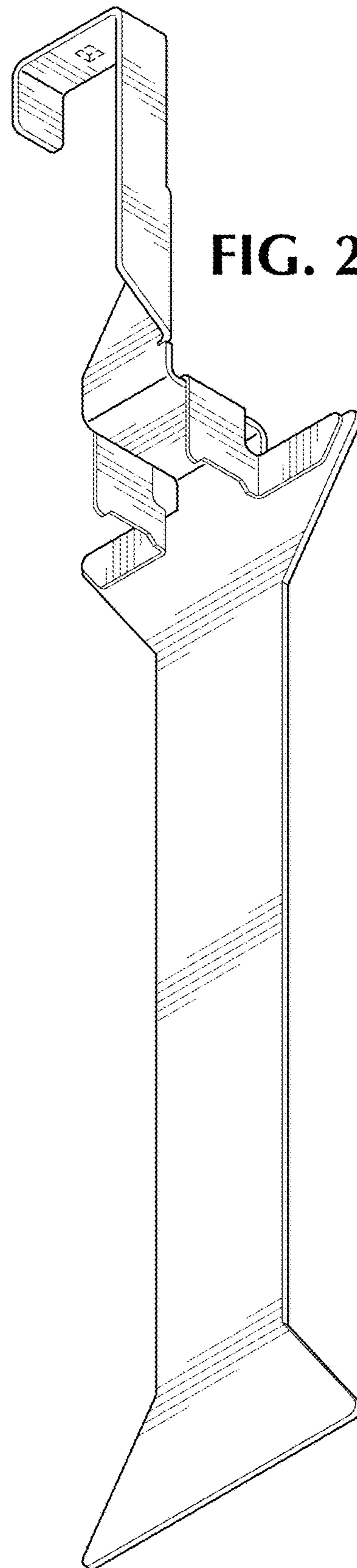
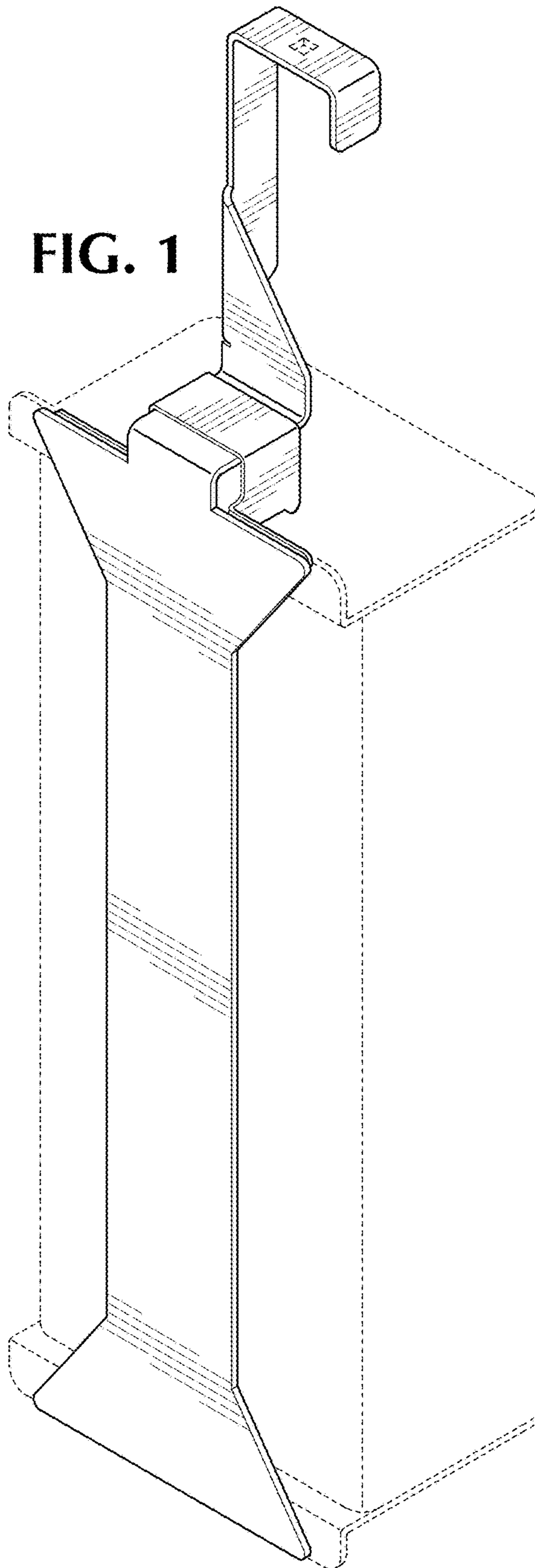
U.S. PATENT DOCUMENTS

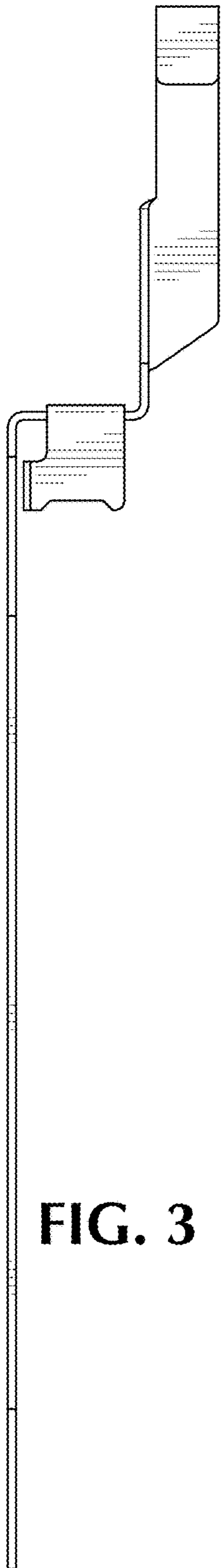
D301,632 S \* 6/1989 Lohrentz ..... D26/61  
 D305,299 S \* 1/1990 Freeman ..... 248/214  
 5,045,985 A \* 9/1991 Russo ..... F21V 21/04  
 248/214  
 D324,990 S \* 3/1992 Gary ..... D26/138  
 D331,006 S \* 11/1992 Dziedzic ..... D8/354  
 D349,041 S \* 7/1994 Wical ..... D11/164  
 6,332,597 B1 \* 12/2001 Korcz ..... H02G 3/125  
 220/3.9  
 D481,303 S \* 10/2003 Fell ..... D26/138  
 D494,051 S \* 8/2004 Klein ..... D8/373  
 7,673,841 B2 \* 3/2010 Wronski ..... F21V 21/048  
 248/200.1  
 D636,928 S \* 4/2011 Lin ..... D26/138  
 D650,483 S \* 12/2011 Roggenkamp ..... D24/184  
 D657,658 S \* 4/2012 Jones ..... D8/354  
 D704,037 S \* 5/2014 Popkin ..... D8/367  
 9,010,696 B2 \* 4/2015 Siddiqui ..... F16L 3/24  
 174/481  
 D743,952 S \* 11/2015 Venghaus ..... D14/238  
 D764,830 S \* 8/2016 Rancatore, Jr. .... D6/541  
 D764,831 S \* 8/2016 Rancatore, Jr. .... D6/541  
 2005/0243547 A1 \* 11/2005 Cini ..... F21S 8/037  
 362/219  
 2009/0321595 A1 \* 12/2009 Conway ..... G09F 3/204  
 248/205.3

OTHER PUBLICATIONS

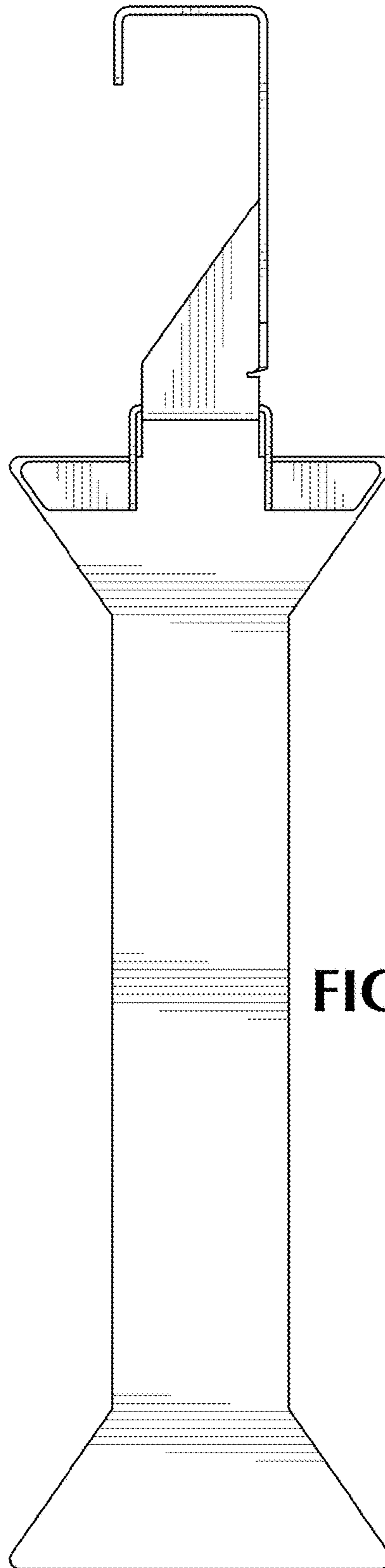
Galaxy DE Commercial Vertical Hanging Bracket, Sunlight Supply, <https://sunlightsupply.com/shop/bycategory/commercial-greenhouse-fixtures>, accessed May 6, 2016.  
 Hydrofarm PHR DE-Hanging Ballast Short Wire Bracket, Miami Hydroponics, <https://miamihydro.com/hydrofarm-phr-de-hanging-ballast-short-wire-bracket.html>, accessed May 6, 2016.  
 LightRail Hanging Bracket for Grow Tents, Sunlight Supply, <https://sunlightsupply.com/shop/bycategory/light-movers-and-hangers>, accessed May 6, 2016.  
 Compact Heavy-Duty Hid Ballast Mounting Bracket Set, Onyx Lights, <https://www.onyxlights.com/accessories/compact-heavy-duty-hid-ballast-mounting-bracket-set>, accessed May 6, 2016.  
 Sun System ProMag Commercial Fixture, Sunlight Supply, <https://sunlightsupply.com/shop/bycategory/commercial-greenhouse-fixtures>, accessed May 6, 2016.  
 Specifications, Sun System ProMag 1000 Watt Switchable Quint-Tap Commercial Fixture, updated May 13, 2015.  
 Sun System Universal Reflector Uni-Strut Brackets, Sunlight Supply, <https://sunlightsupply.com/shop/bycategory/light-movers-and-hangers>, accessed May 6, 2016.

\* cited by examiner

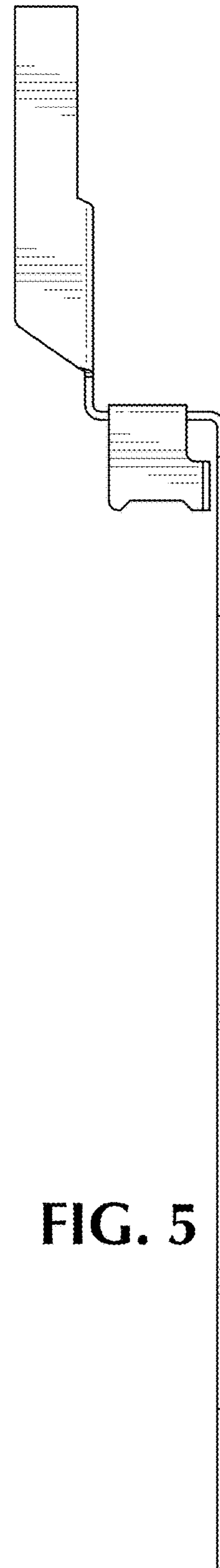




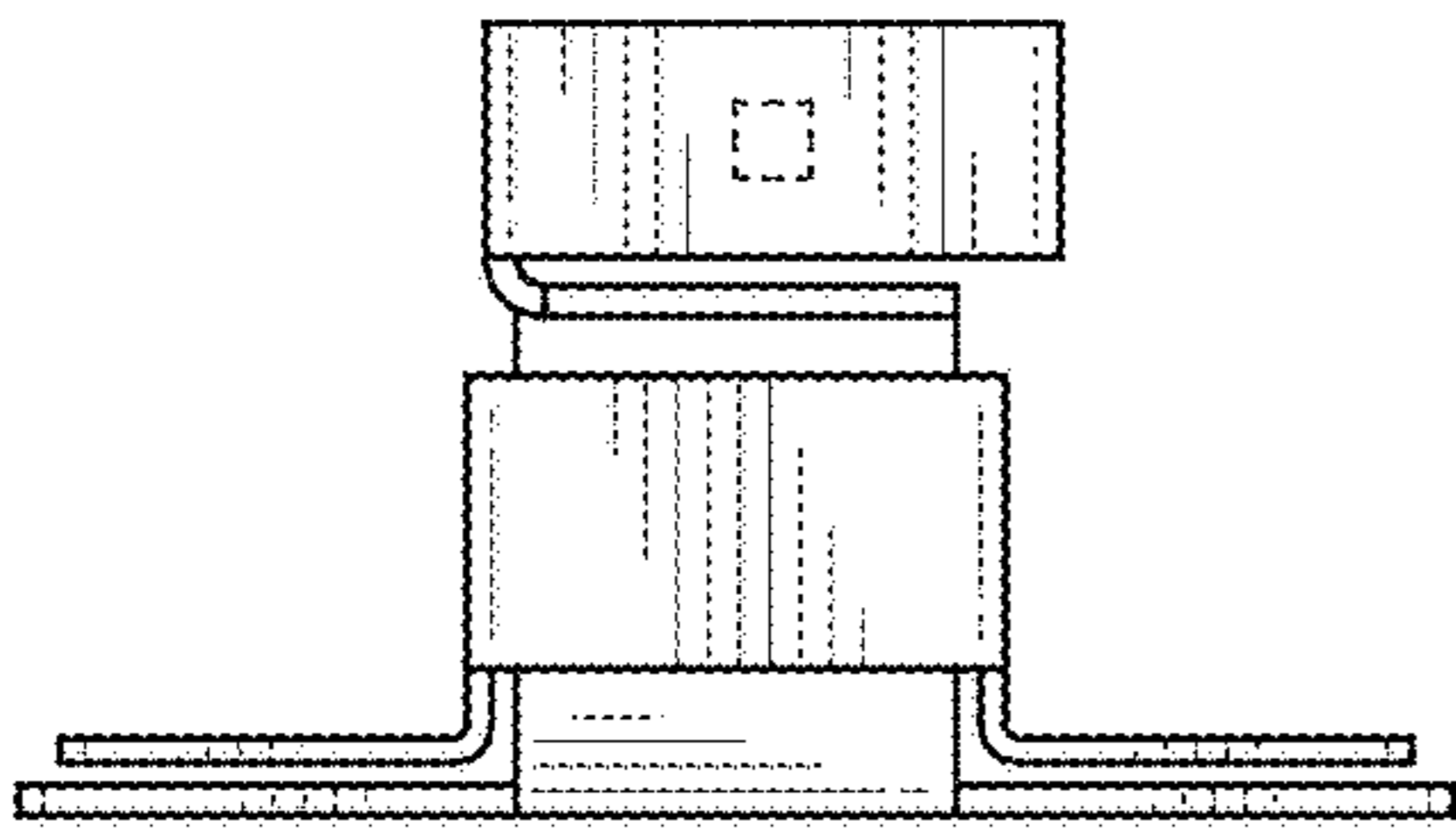
**FIG. 3**



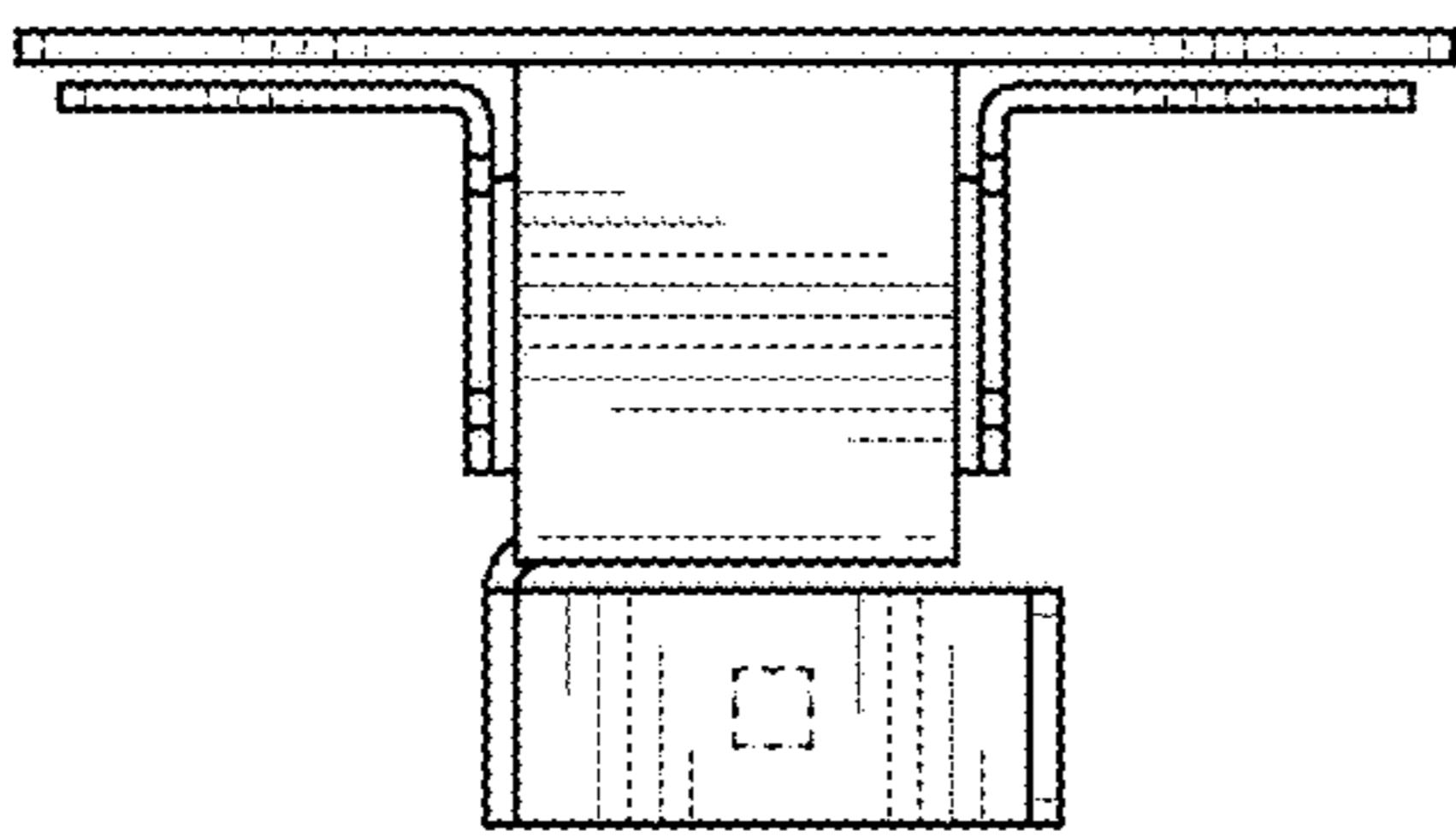
**FIG. 4**



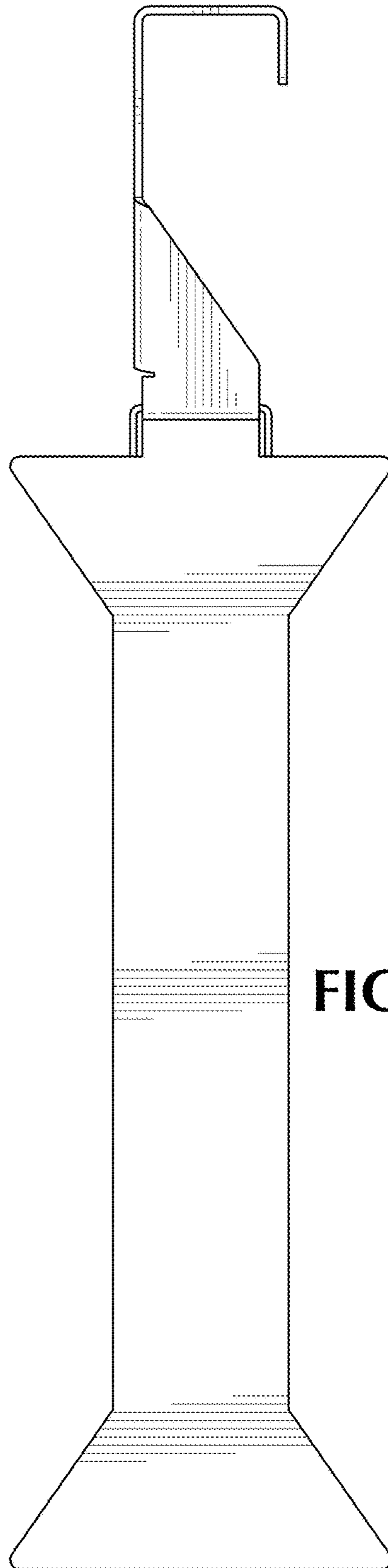
**FIG. 5**



**FIG. 6**



**FIG. 7**



**FIG. 8**