



US00D789594S

(12) **United States Design Patent**
Goltche

(10) **Patent No.:** **US D789,594 S**

(45) **Date of Patent:** **** Jun. 13, 2017**

(54) **LED LIGHT LENS**

(71) Applicant: **Yehuda Goltche**, Great Neck, NY (US)

(72) Inventor: **Yehuda Goltche**, Great Neck, NY (US)

(**) Term: **15 Years**

(21) Appl. No.: **29/547,661**

(22) Filed: **Dec. 7, 2015**

(51) **LOC (10) Cl.** **26-99**

(52) **U.S. Cl.**
USPC **D26/120**

(58) **Field of Classification Search**

USPC D26/120, 118, 47, 73, 94, 113, 122, 125,
D26/128, 147, 72, 28; D10/114.4, 114.31
CPC . B60R 1/12; F21V 11/00; F21V 21/02; F21V
5/04; F21V 5/08

See application file for complete search history.

(56) **References Cited**

U.S. PATENT DOCUMENTS

D627,672 S * 11/2010 Shin D10/114.1
D681,866 S * 5/2013 Lin D26/120
D700,098 S * 2/2014 Deyaf D10/114.4

D709,221 S * 7/2014 Tsai D26/28
D760,104 S * 6/2016 Jacobs D10/114.4
D771,304 S * 11/2016 Goltche D26/120

* cited by examiner

Primary Examiner — Brian N Vinson

(74) *Attorney, Agent, or Firm* — Dunlap Bennett & Ludwig PLLC

(57) **CLAIM**

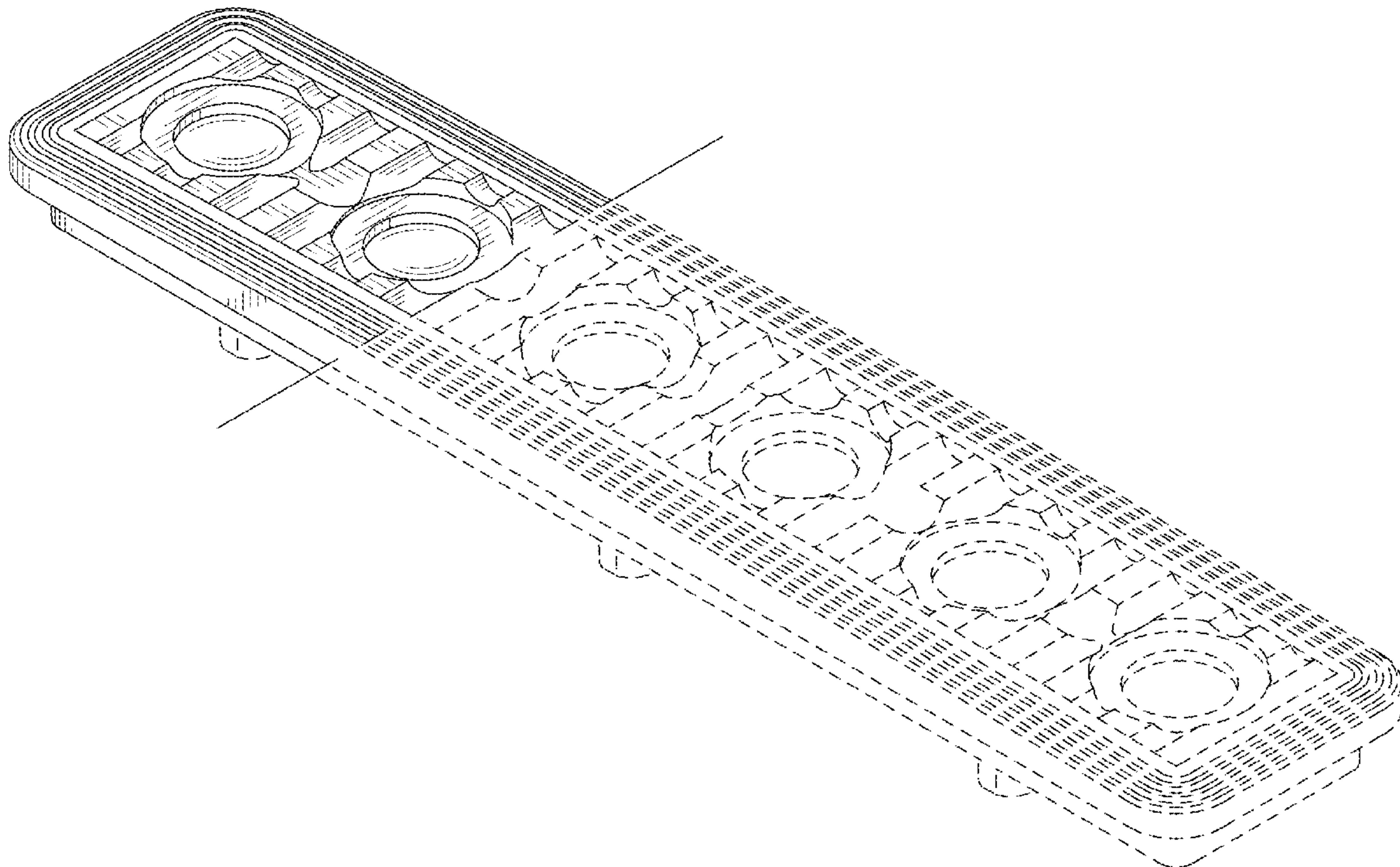
The ornamental design for a LED light lens, as shown and described.

DESCRIPTION

FIG. 1 is a top front perspective view of a LED light lens; FIG. 2 is a top plan view of FIG. 1; FIG. 3 is a bottom plan view of FIG. 1; FIG. 4 is a front elevation view of FIG. 1, the rear elevation view being a mirror image thereof; and, FIG. 5 is a left elevation view of FIG. 1, the right elevation view being a mirror image thereof.

The broken lines shown in the drawings depict portions of the LED light lens that form no part of the claimed design. The broken lines of uneven length represent the boundaries of the claimed design and form no part thereof.

1 Claim, 2 Drawing Sheets



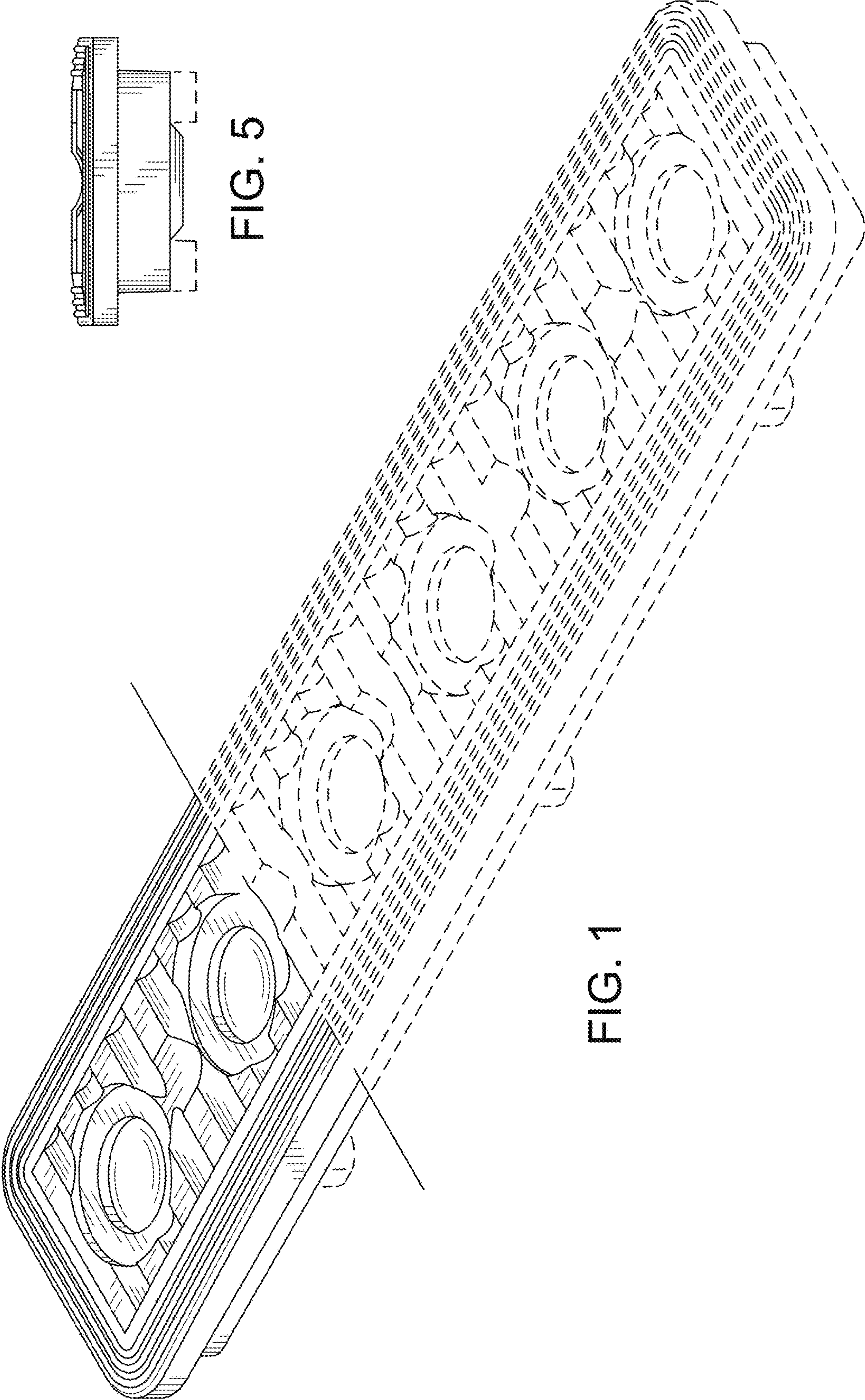


FIG. 5

FIG. 1

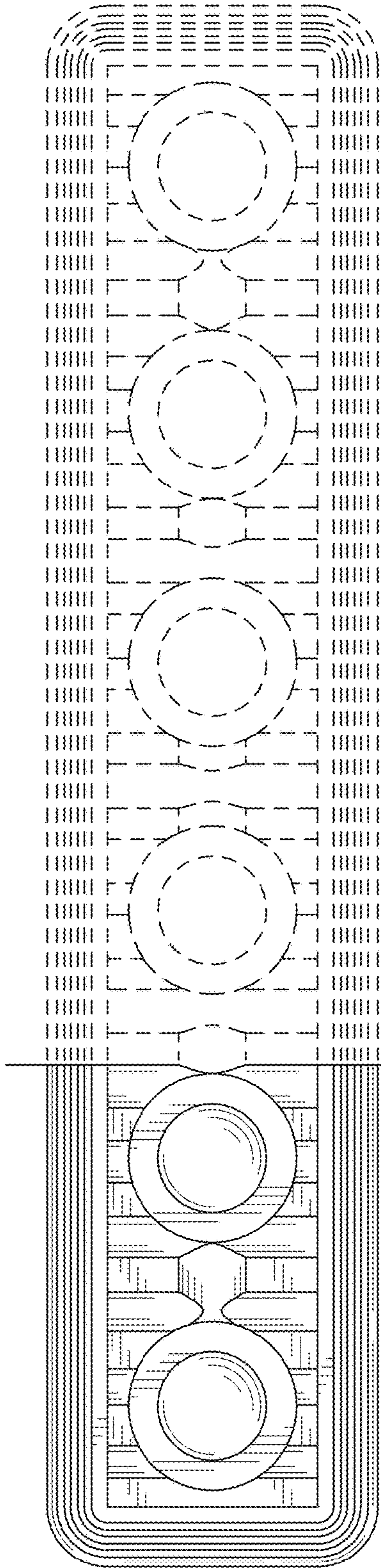


FIG. 2

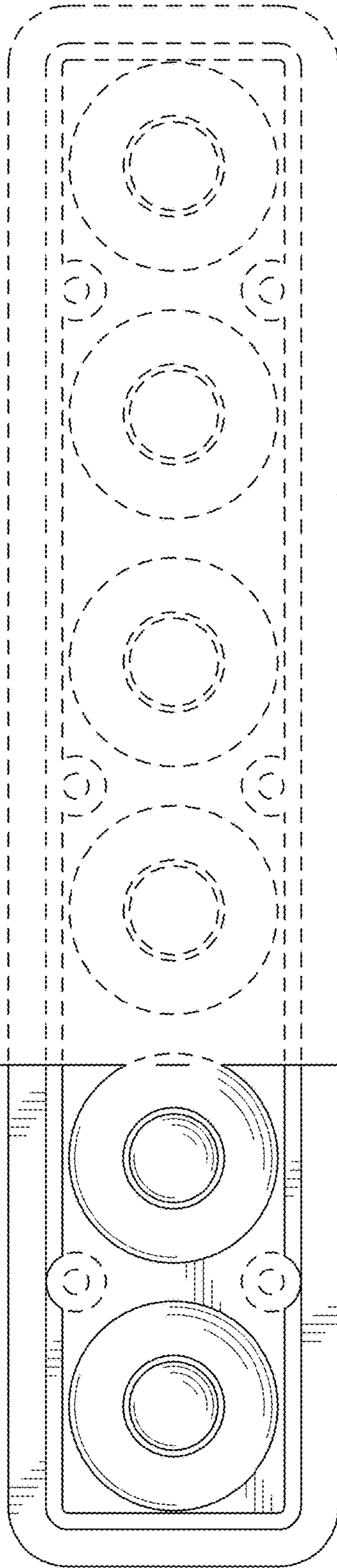


FIG. 3

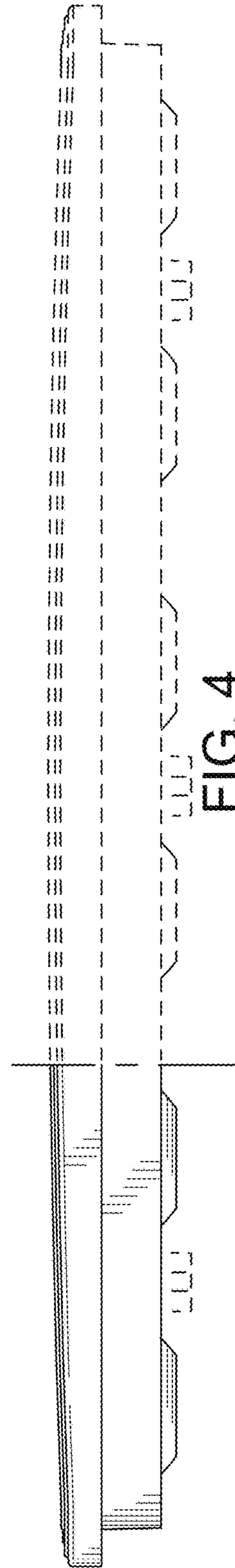


FIG. 4