



US00D789591S

(12) **United States Design Patent** (10) **Patent No.:** **US D789,591 S**
Couture et al. (45) **Date of Patent:** **** Jun. 13, 2017**

(54) **LIGHT**

(71) Applicant: **ARTIKA FOR LIVING INC.**, Dorval, Quebec (CA)

(72) Inventors: **Marc Couture**, Lachine (CA); **Dave Morneau**, Mont St-Hilaire (CA); **Oliver Bradley**, Montreal (CA)

(73) Assignee: **ARTIKA FOR LIVING INC.**, Dorval (CA)

(**) Term: **15 Years**

(21) Appl. No.: **29/563,016**

(22) Filed: **May 2, 2016**

(30) **Foreign Application Priority Data**

Nov. 5, 2015 (CA) 165173

(51) **LOC (10) Cl.** **26-03**

(52) **U.S. Cl.**
USPC **D26/106**

(58) **Field of Classification Search**
USPC D26/1, 24, 93, 104, 106, 112
CPC F21V 21/00; F21V 21/02; F21V 21/116;
F21W 2121/00; F21W 2131/00

See application file for complete search history.

(56) **References Cited**

U.S. PATENT DOCUMENTS

D557,450 S * 12/2007 Barbeau D26/104
D563,594 S * 3/2008 Held D26/110
D606,235 S * 12/2009 Mama D26/93
D629,150 S * 12/2010 Doulobakas D26/93
D643,146 S * 8/2011 Lewis D26/93
D757,340 S * 5/2016 Girard D26/106

* cited by examiner

Primary Examiner — Brian N Vinson

(74) *Attorney, Agent, or Firm* — Brouillette Legal Inc.; Damien Calvet

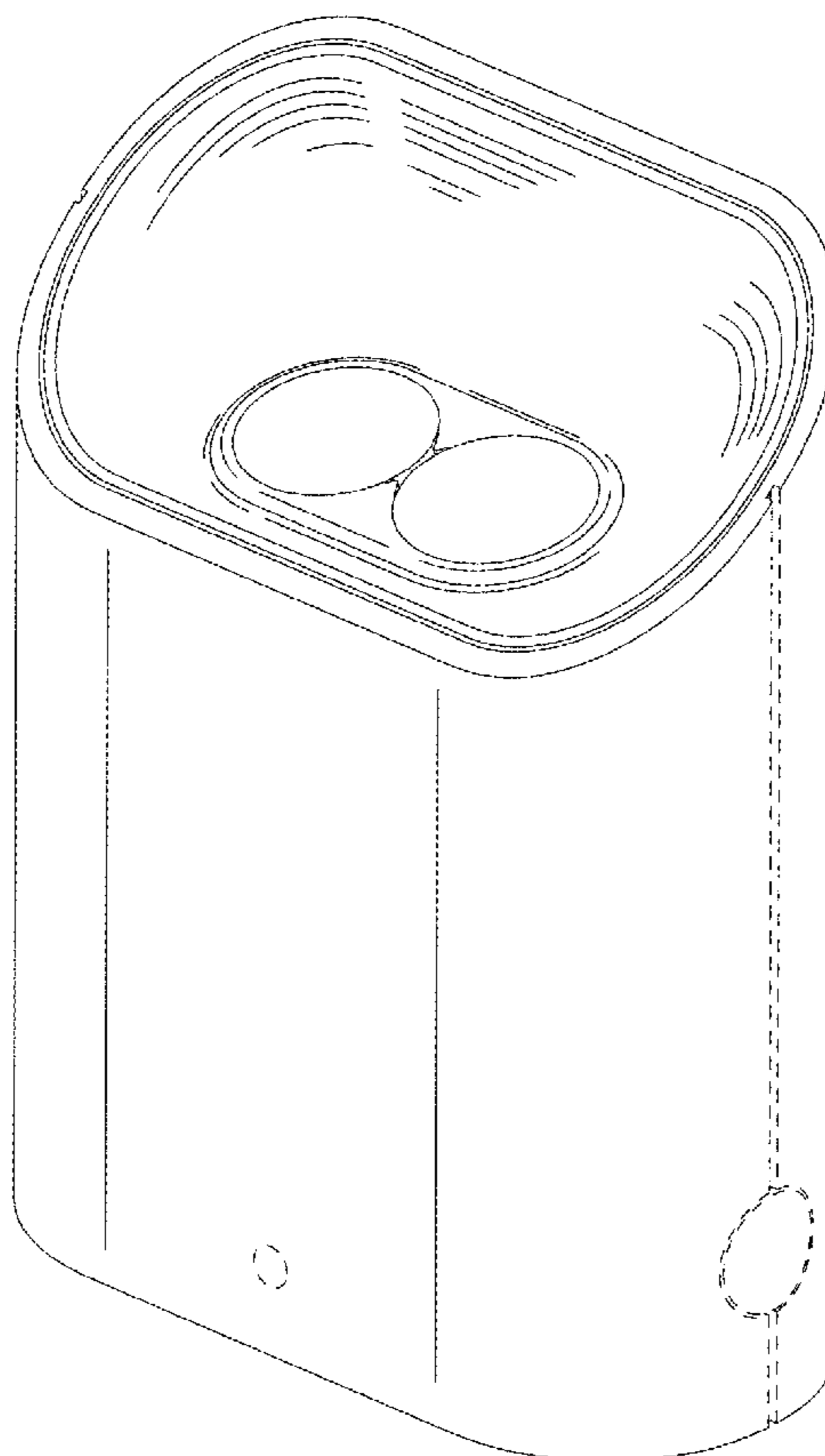
(57) **CLAIM**

The ornamental design for a light, as shown and described.

DESCRIPTION

FIG. 1 is a perspective view of a light;
FIG. 2 is a left side elevation view of the light;
FIG. 3 is a front elevation view of the light;
FIG. 4 is a right side elevation view of the light;
FIG. 5 is a rear elevation view of the light;
FIG. 6 is a top plan view of the light; and,
FIG. 7 is a bottom plan view of the light.
The broken lines in the drawings represent portions of the light which form no part of the claimed design.

1 Claim, 7 Drawing Sheets



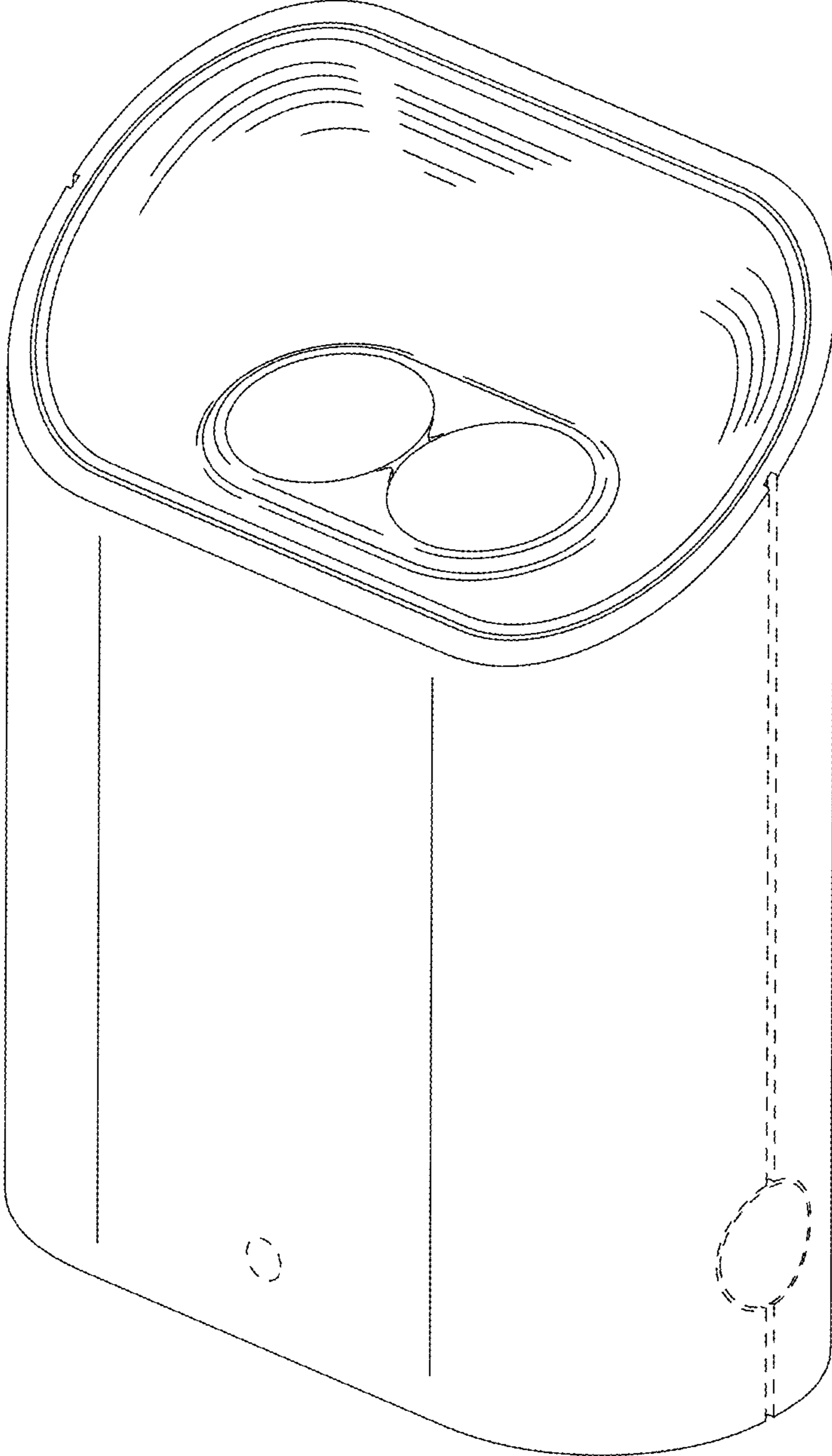


FIG. 1

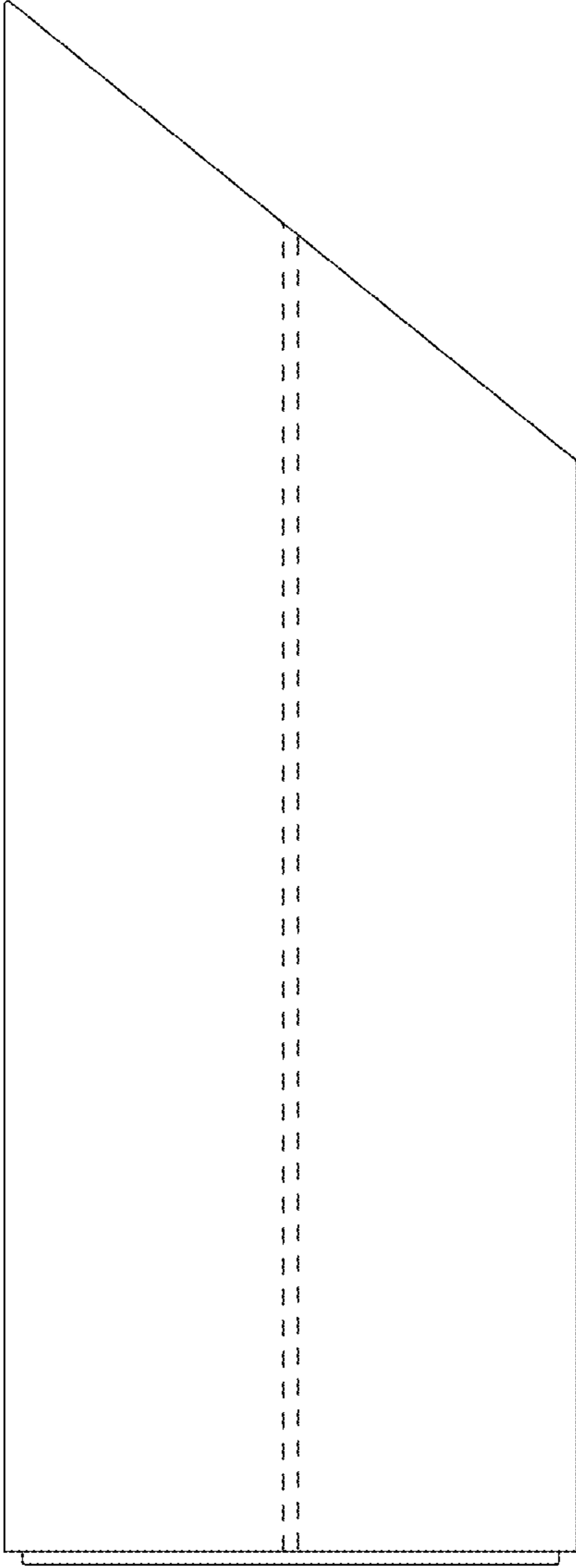


FIG. 2

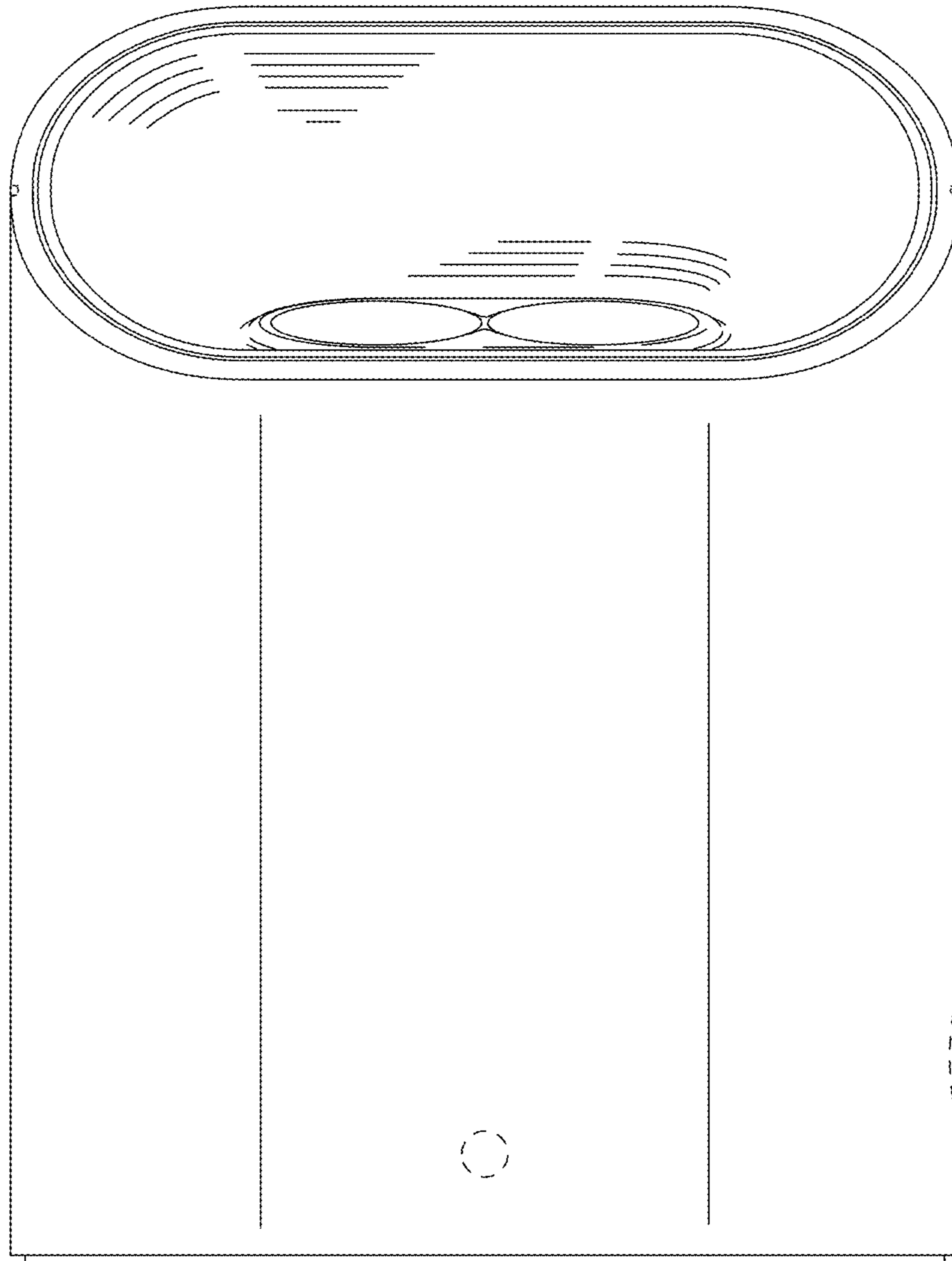


FIG. 3

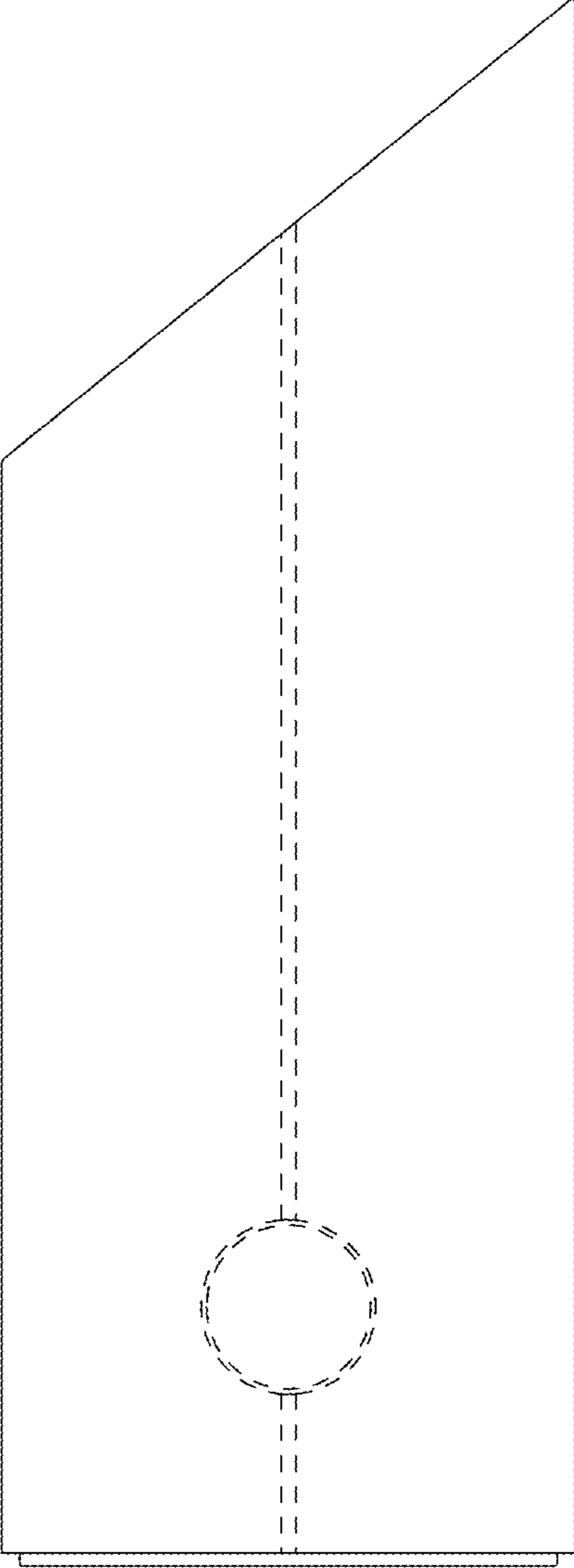


FIG. 4

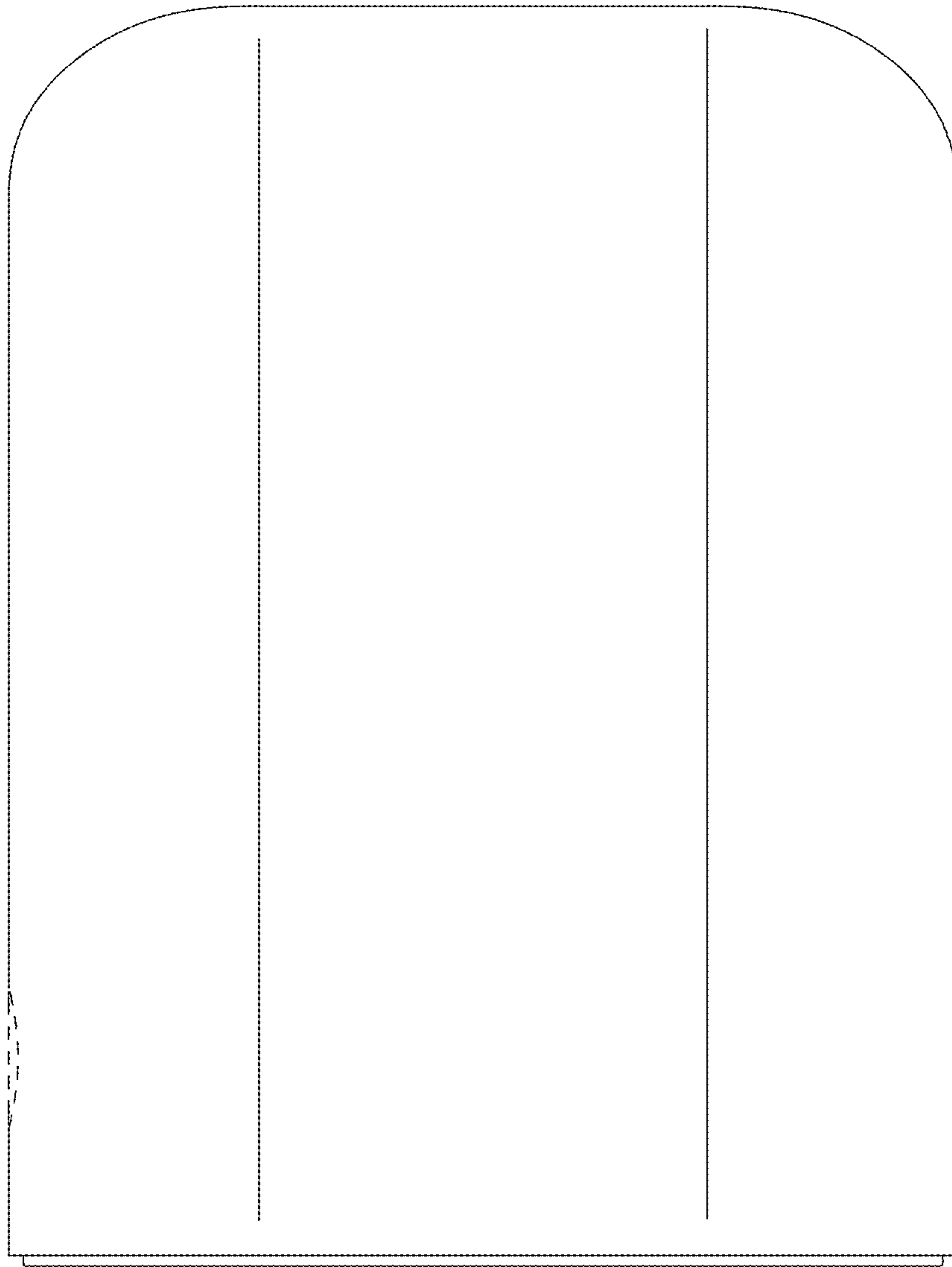


FIG. 5

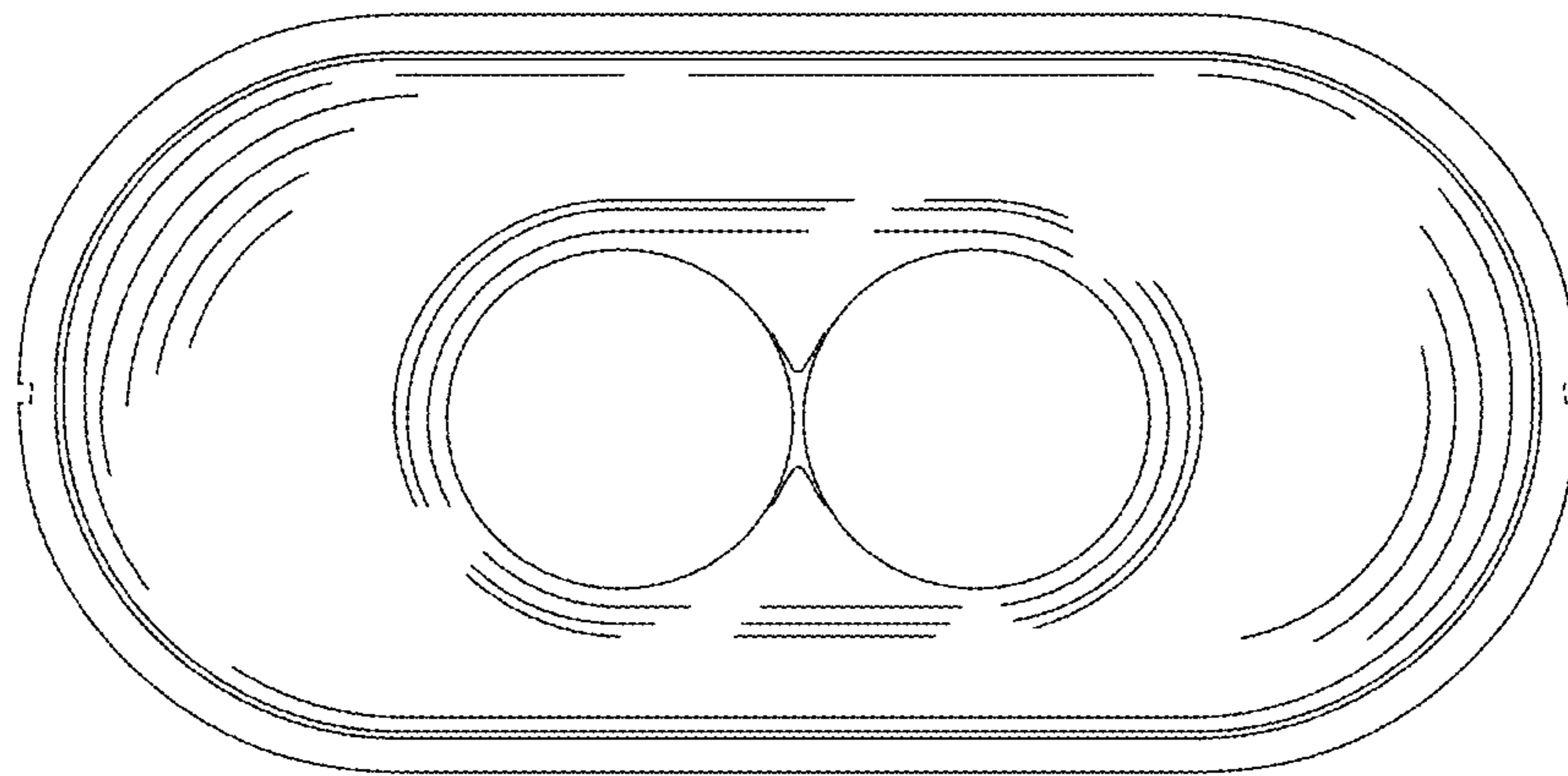


FIG. 6

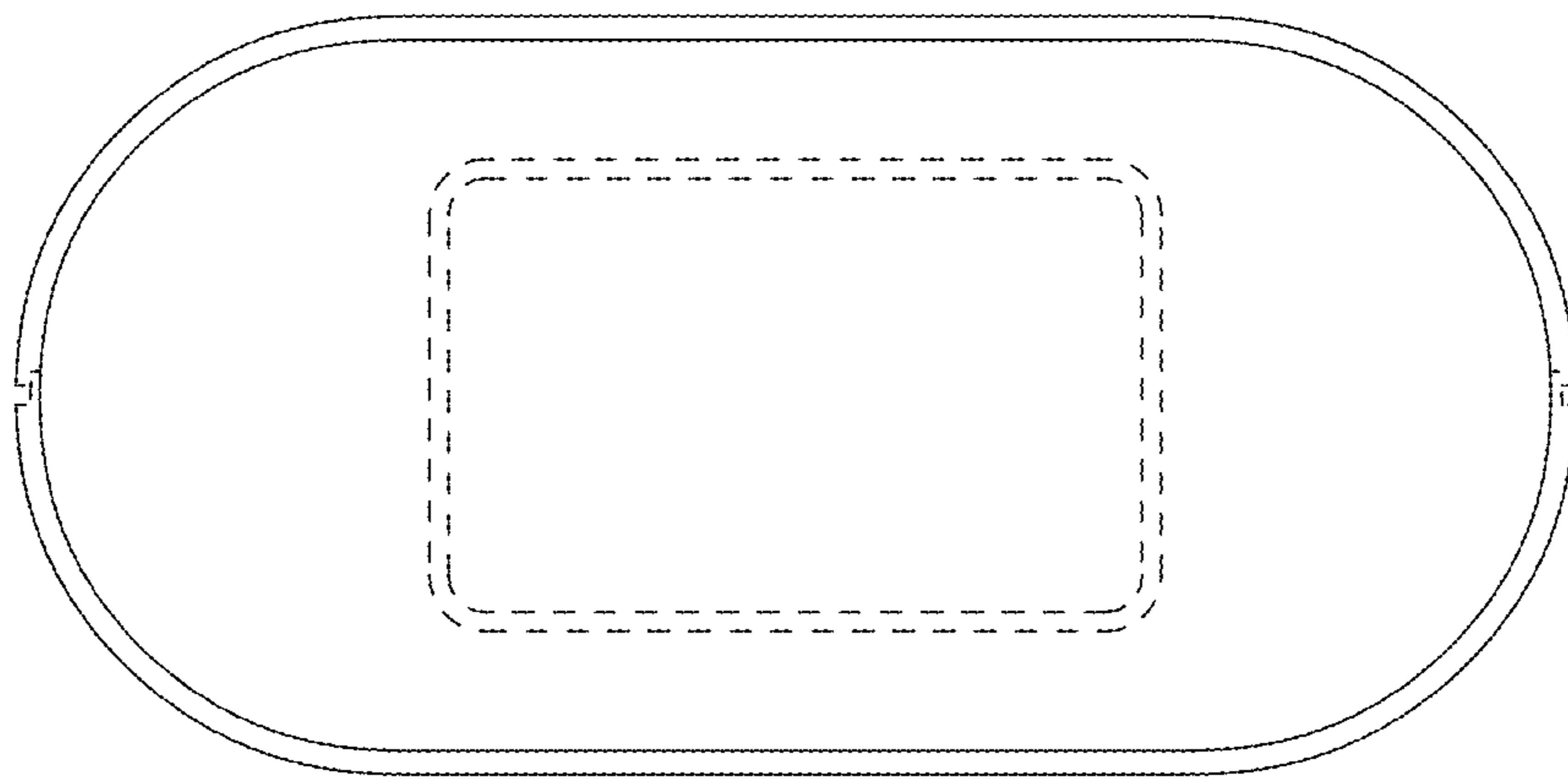


FIG. 7