



US00D789590S

(12) **United States Design Patent**
Sonneman

(10) **Patent No.:** **US D789,590 S**
(45) **Date of Patent:** **** Jun. 13, 2017**

(54) **LIGHT FIXTURE**

(71) Applicant: **Robert A. Sonneman**, Mamaroneck,
NY (US)

(72) Inventor: **Robert A. Sonneman**, Mamaroneck,
NY (US)

(**) Term: **15 Years**

(21) Appl. No.: **29/551,333**

(22) Filed: **Jan. 12, 2016**

(51) **LOC (10) Cl.** **26-03**

(52) **U.S. Cl.**
USPC **D26/87; D26/145**

(58) **Field of Classification Search**

USPC D26/72, 76, 81, 83, 84, 85, 86, 87, 88,
D26/90, 91, 118, 138, 145, 153-155
CPC F21S 8/03; F21S 8/033; F21S 8/035; F21S
8/036; F21S 8/037; F21S 8/04; F21S
8/043; F21S 8/046; F21S 8/06; F21S
8/061; F21S 8/063; F21S 8/065; F21V
1/146; F21V 3/0409; F21V 7/043; F21V
7/05; F21V 7/06

See application file for complete search history.

(56) **References Cited**

U.S. PATENT DOCUMENTS

D33,191 S *	9/1900	Crary	D26/145
D93,926 S *	11/1934	Kanter	D26/63
D299,762 S *	2/1989	King	D26/87
D302,480 S *	7/1989	Mauk	D26/87
D317,058 S	5/1991	Sonneman		
D320,465 S	10/1991	Sonneman		
D365,170 S *	12/1995	Ng	D26/138
D373,213 S *	8/1996	Porter	D26/84
D384,764 S *	10/1997	Littman	D26/76
D386,810 S *	11/1997	Porter	D26/145
D474,304 S *	5/2003	Mier-Langner	D26/138
D510,452 S *	10/2005	Porter	D26/80

D518,914 S *	4/2006	Brunner	D26/142
D533,301 S *	12/2006	Lee	D26/155
D573,299 S *	7/2008	Fanning	D26/153
D575,892 S *	8/2008	Chandler	D26/76
D576,339 S *	9/2008	Porter	D26/80
D592,787 S *	5/2009	Chandler	D26/81
D657,487 S *	4/2012	Sabernig	D26/84
D671,670 S	11/2012	Sonneman		
D674,954 S *	1/2013	Sonneman	D26/88
D698,075 S *	1/2014	Klus	D26/138
D716,991 S *	11/2014	Kitts	D26/88
D716,992 S *	11/2014	Kitts	D26/88
D772,467 S *	11/2016	Sonneman	D26/88
D772,468 S *	11/2016	Sonneman	D26/90
D773,101 S *	11/2016	Sonneman	D26/88
D773,718 S *	12/2016	Sonneman	D26/90
D773,719 S *	12/2016	Sonneman	D26/90
D775,397 S *	12/2016	Sonneman	D26/90
D779,113 S *	2/2017	Sonneman	D26/138

(Continued)

Primary Examiner — Clare E Heflin

(74) *Attorney, Agent, or Firm* — Gottlieb, Rackman &
Reisman, P.C.

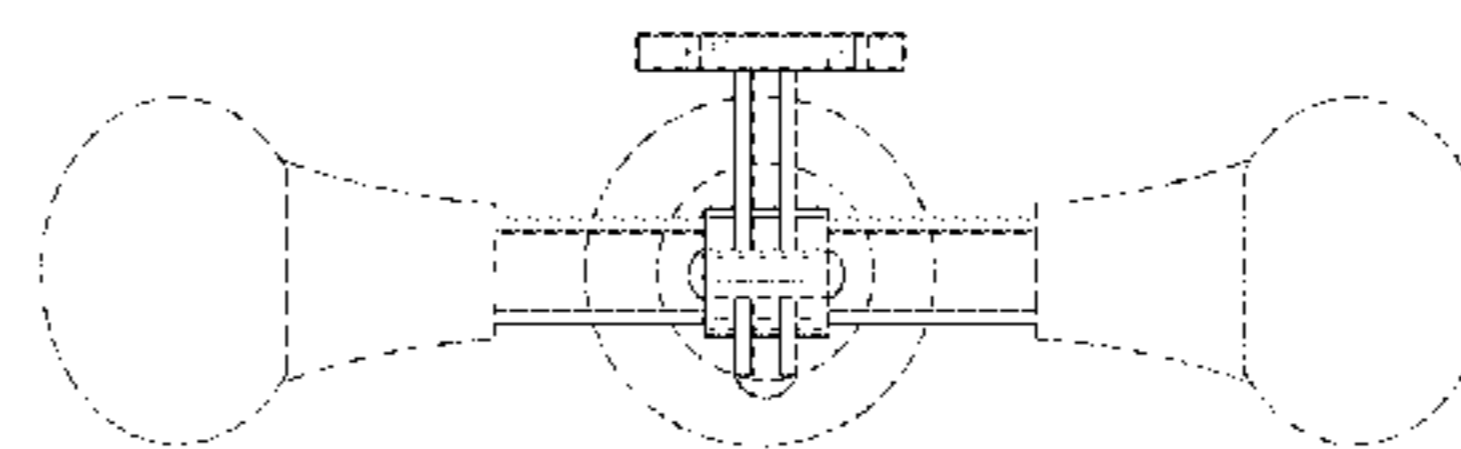
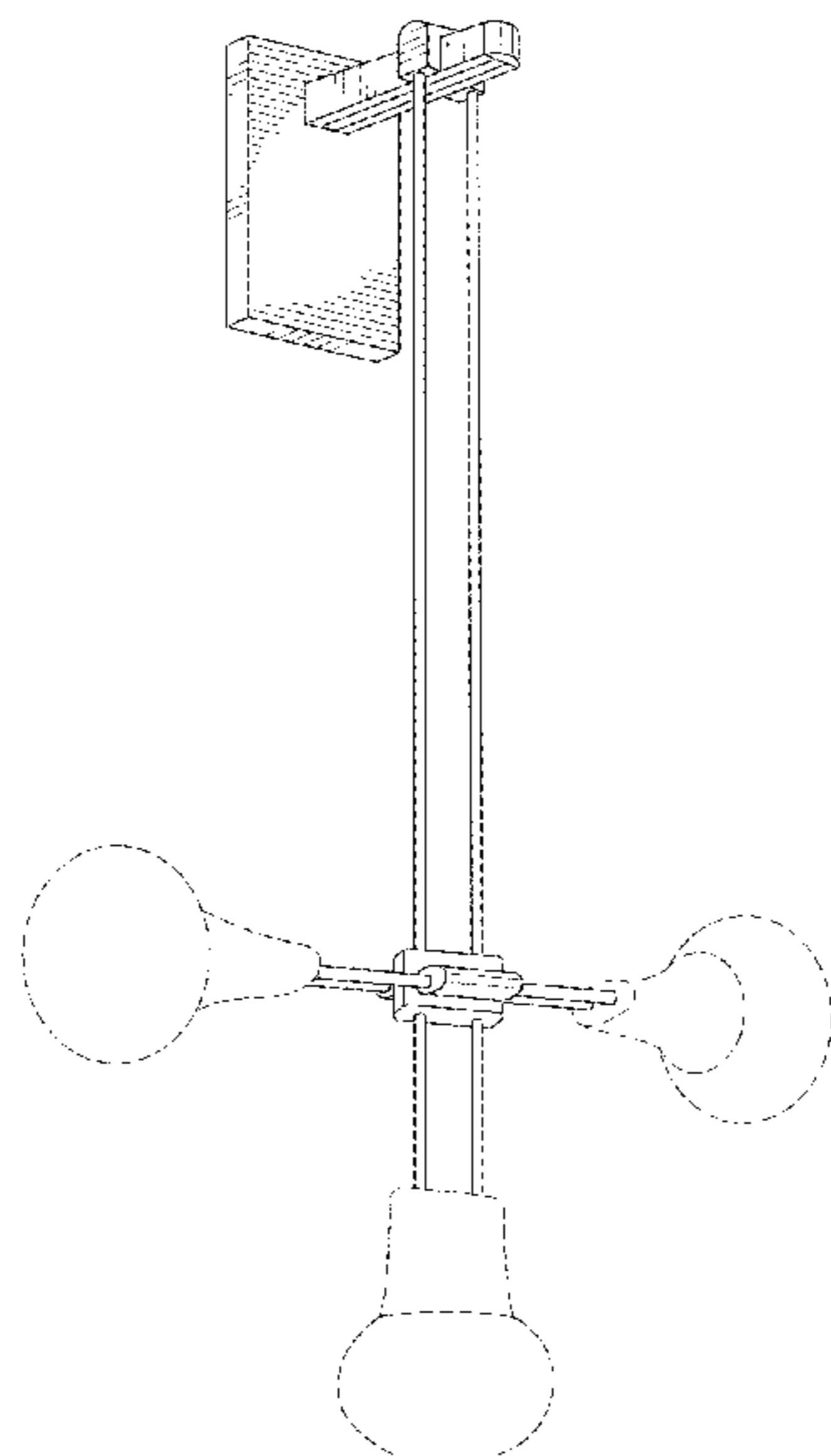
(57) **CLAIM**

The ornamental design for a light fixture, as shown and described.

DESCRIPTION

FIG. 1 is a perspective view of a light fixture showing my new design;
FIG. 2 is a top plan view thereof;
FIG. 3 is a front elevational view thereof;
FIG. 4 is a right side elevational view thereof, the left side elevational view being a mirror image;
FIG. 5 is a rear elevational view thereof; and,
FIG. 6 is a bottom plan view thereof.
The broken lines in FIGS. 1-6 showing bulbs installed in the pendant are for illustrative purposes only and form no part of the claim design.

1 Claim, 4 Drawing Sheets



(56)

References Cited

U.S. PATENT DOCUMENTS

D779,712 S * 2/2017 Sonneman D26/138
D779,715 S * 2/2017 Sonneman D26/138

* cited by examiner

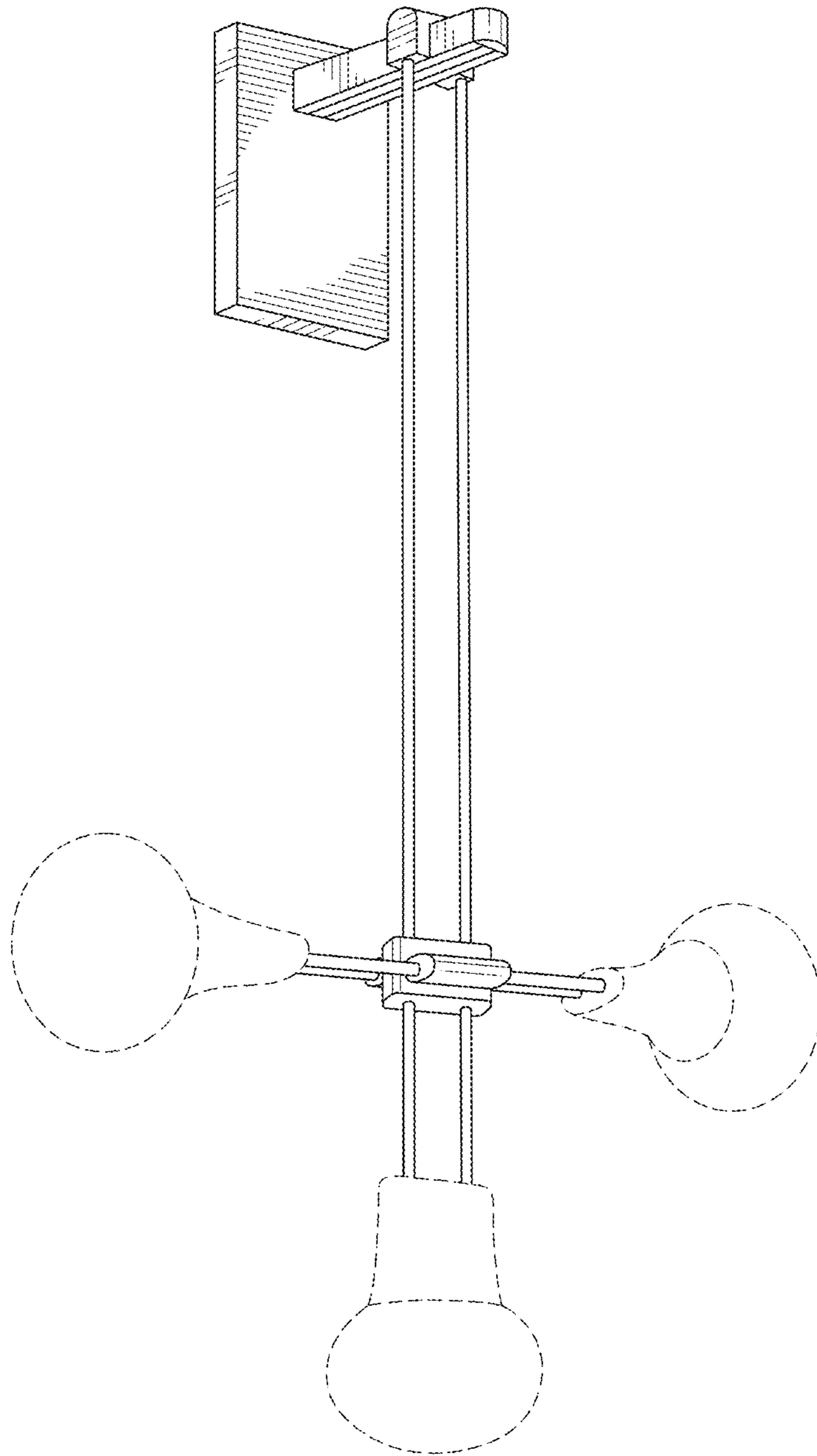


FIG. 1

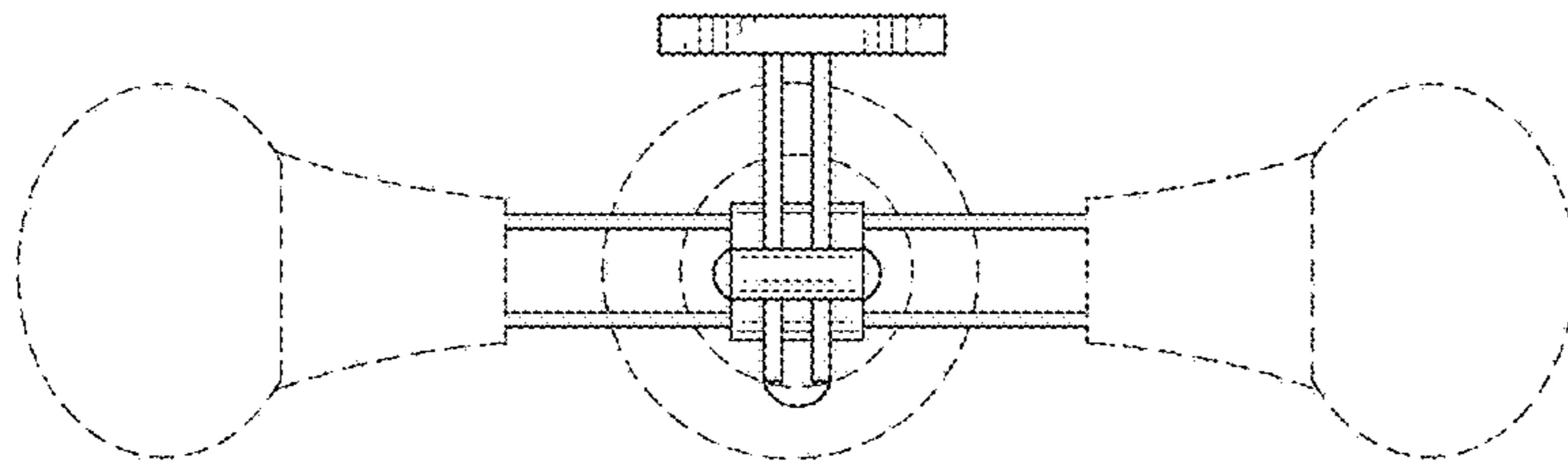


FIG. 2

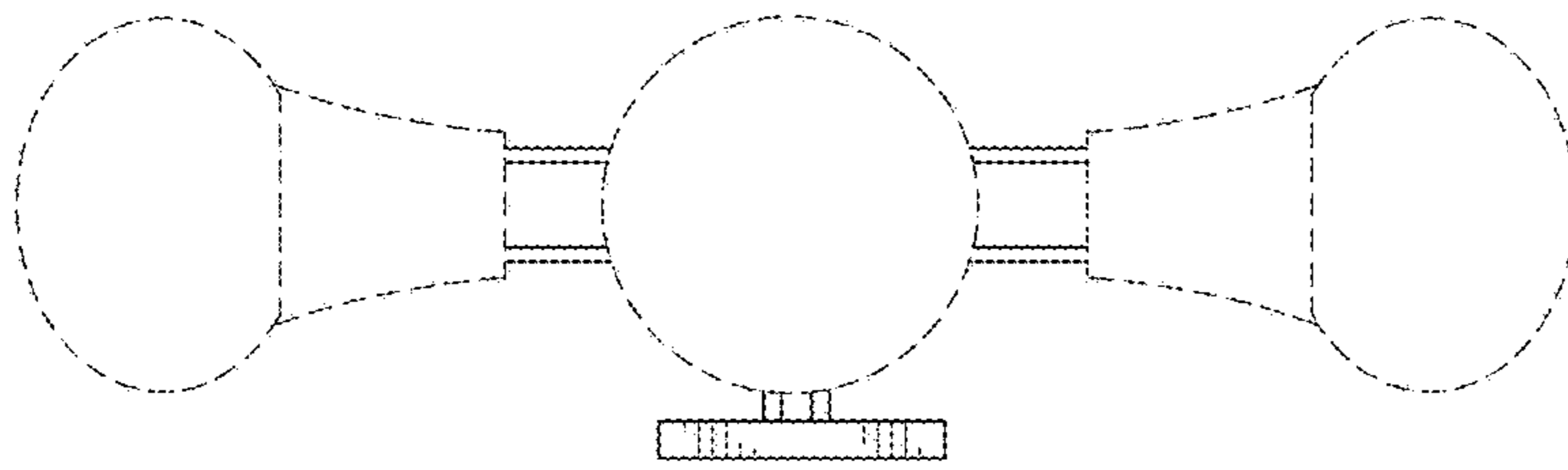


FIG. 6

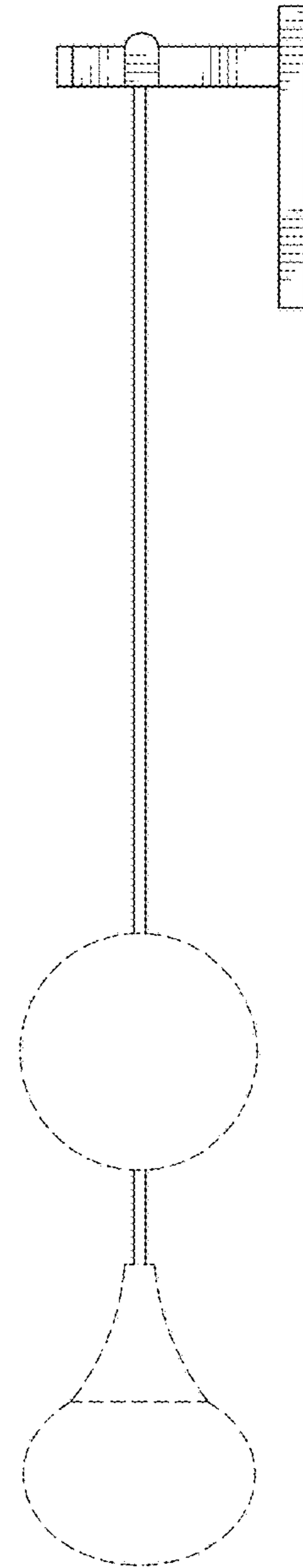


FIG. 4

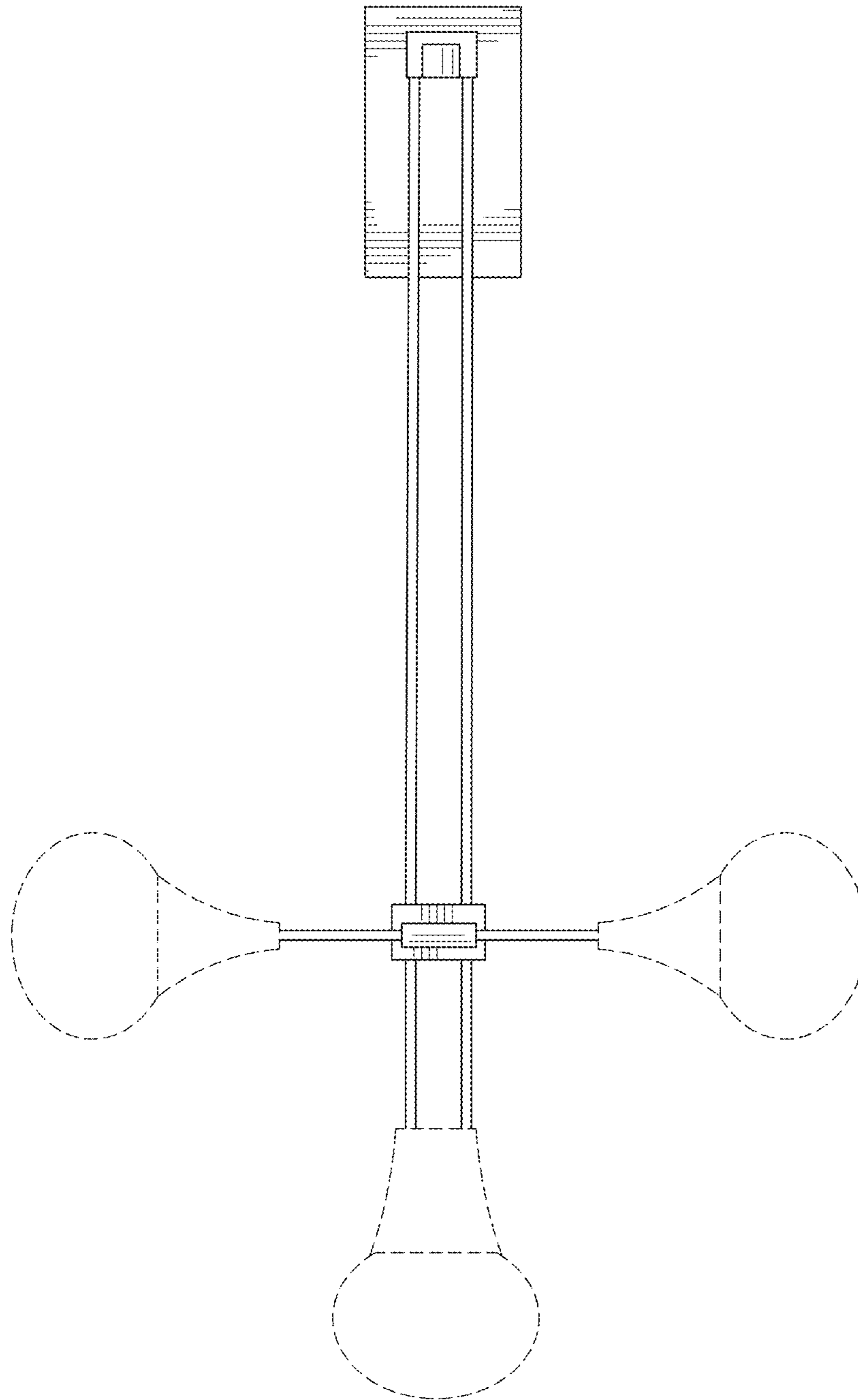


FIG. 3

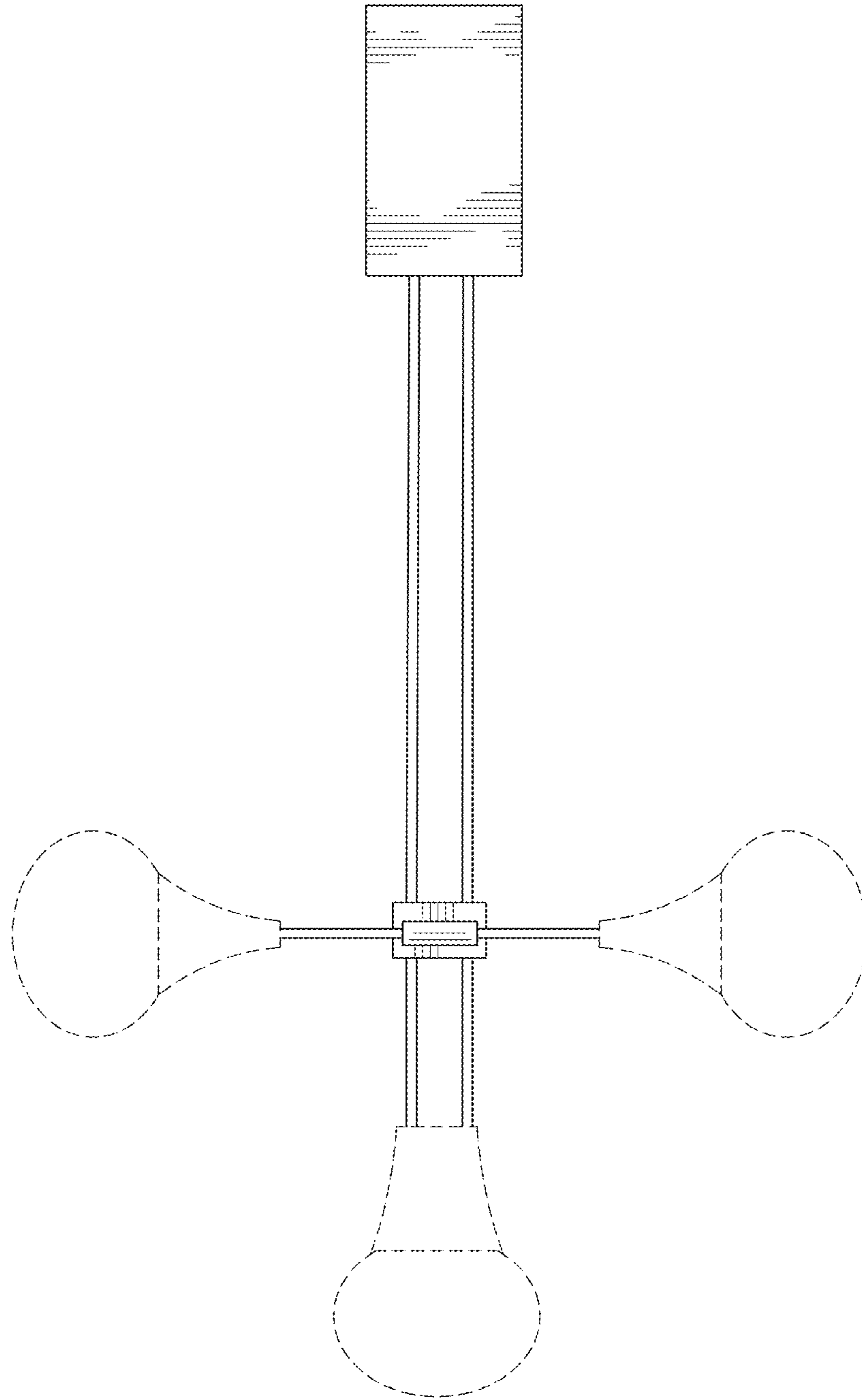


FIG. 5