



US00D789589S

(12) **United States Design Patent** (10) **Patent No.:** **US D789,589 S**
Yorio et al. (45) **Date of Patent:** **** Jun. 13, 2017**

(54) **LIGHTING DEVICE**

(71) Applicant: **Biological Innovation and Optimization Systems, LLC**, Melbourne, FL (US)
(72) Inventors: **Neil Yorio**, Indian Harbour Beach, FL (US); **Richard LeClair**, Palm Bay, FL (US); **Eric Thosteson**, Satellite Beach, FL (US); **Wei Sun**, Indialantic, FL (US); **Shane Sullivan**, Indialantic, FL (US)
(73) Assignee: **BIOLOGICAL INNOVATION & OPTIMIZATION SYSTEMS, LLC**, Melbourne, FL (US)

(**) Term: **15 Years**

(21) Appl. No.: **29/560,613**

(22) Filed: **Apr. 8, 2016**

(51) **LOC (10) Cl.** **26-03**

(52) **U.S. Cl.**
USPC **D26/76**

(58) **Field of Classification Search**
USPC D26/2, 3, 26, 27, 40, 42, 43, 60, 70, 72, D26/74-83, 88, 89, 91, 104, 106, 113, D26/119, 120, 122, 137, 135, 152, 153; D13/179
CPC F21S 2/00; F21S 4/20; F21S 8/00; F21S 8/02; F21S 8/031; F21S 8/035; F21S 8/037; F21S 9/00; F21V 21/005; F21V 33/00; H05K 7/2039; H05K 7/20409; H05K

(Continued)

(56) **References Cited**

U.S. PATENT DOCUMENTS

D252,234 S * 6/1979 Asaki D26/71
D255,851 S * 7/1980 Crane D26/76
D330,268 S * 10/1992 Jaksich D26/74

(Continued)

OTHER PUBLICATIONS

Indoor Grown Lights For Vertical Farming (available online)
Retrieved from the internet Mar. 3, 2017, retrieved from the internet
URL: <http://bioslighting.com/bioslightingicarusvigrowlight/>.*

(Continued)

Primary Examiner — Garth Rademaker
Assistant Examiner — Richard Kearney
(74) *Attorney, Agent, or Firm* — OIPWC, LLC

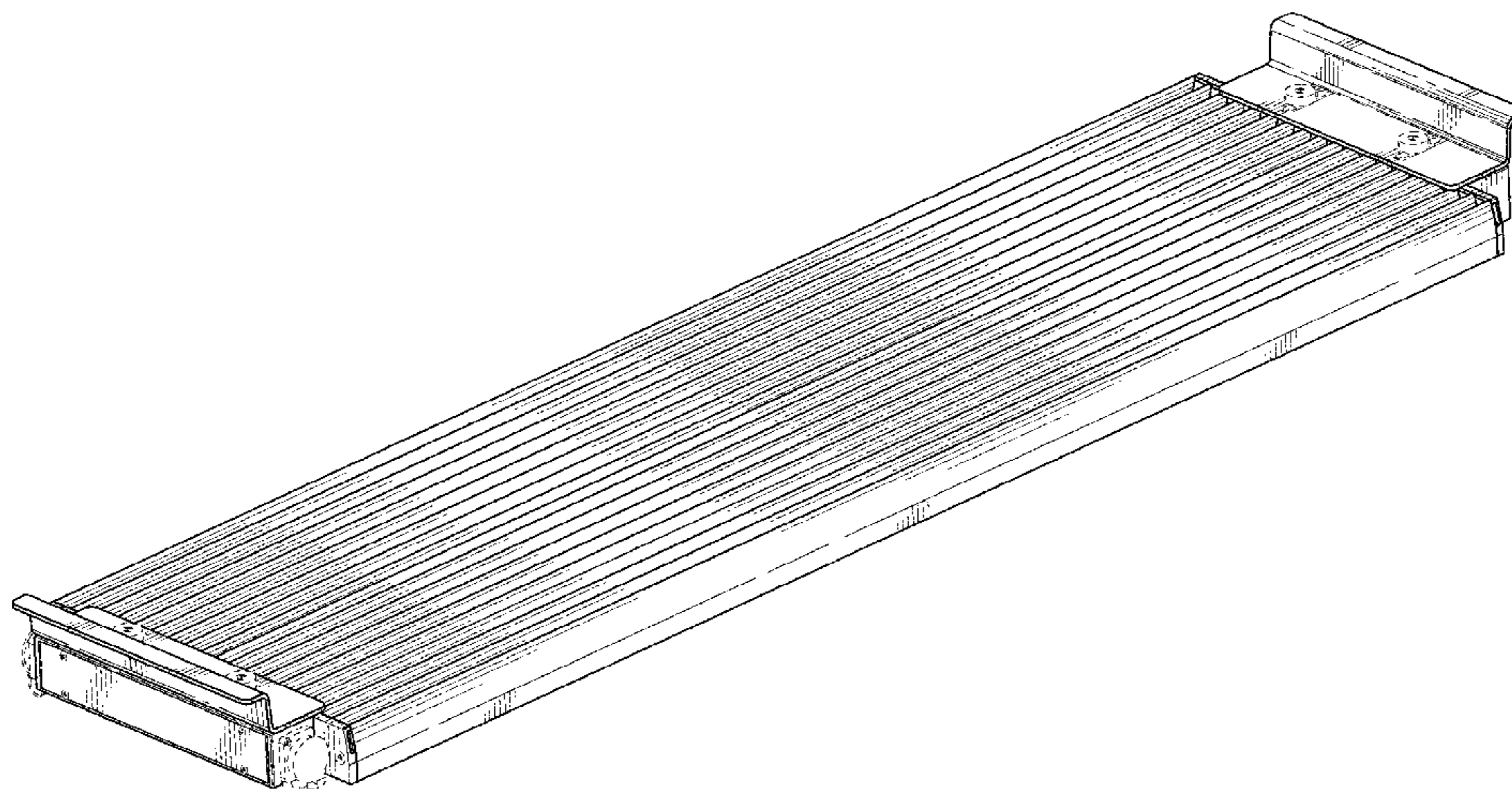
(57) **CLAIM**

The ornamental design for a lighting device, as shown and described.

DESCRIPTION

FIG. 1 is a perspective view for a lighting device according to our new design.
FIG. 2 is another perspective view thereof.
FIG. 3 is a right side elevation view thereof.
FIG. 4 is a left side elevation view thereof.
FIG. 5 is a front side elevation view thereof.
FIG. 6 is a rear side elevation view thereof.
FIG. 7 is a top plan view thereof; and,
FIG. 8 is a bottom plan view thereof.
The broken lines shown in the drawings illustrate portions of the lighting device that form no part of the claimed design. The color and shading of the luminaire forms no part of the claimed design, the luminaire according to the claimed design may be any color or combination of colors. The surface treatment of the luminaire forms no part of the claimed design, the luminaire of the claimed design may have any surface treatment. References to “side”, “top”, “front”, “bottom”, “right” and “left” in the figure descriptions are not meant to require certain in-use orientation.

1 Claim, 5 Drawing Sheets



(58) **Field of Classification Search**

CPC . 7/20418; H05K 7/20436; H01L 33/64; H01L
33/642; H05B 33/0857

See application file for complete search history.

(56) **References Cited**

U.S. PATENT DOCUMENTS

D512,792 S * 12/2005 Benensohn D26/76
D570,026 S * 5/2008 Waldmann D26/76
D580,583 S * 11/2008 Pfund D26/76
D596,778 S * 7/2009 Yamazato D26/76
7,635,198 B2 * 12/2009 Mayfield, III F21S 8/02
362/220
D632,418 S * 2/2011 Bisberg D26/76
8,066,404 B2 * 11/2011 Song F21S 2/005
257/722
D716,489 S * 10/2014 O'Leary D26/90
D757,325 S * 5/2016 Stanley D26/76
9,356,214 B2 * 5/2016 Musser F21K 9/00
D759,874 S * 6/2016 Boyer D26/76
D776,853 S * 1/2017 Akiyama D26/74
2015/0305108 A1 * 10/2015 Probasco H05B 33/0803
47/58.1 LS
2016/0069522 A1 * 3/2016 Rao F21S 4/008
362/219

OTHER PUBLICATIONS

Makers LED Heatsink (available online) Retrieved from the internet
Mar. 3, 2017, retrieved from the internet URL: https://web.archive.org/web/20150426011417/https://www.ledsupply.com/ledheatsinks/makersledheatsinkkit.*

* cited by examiner

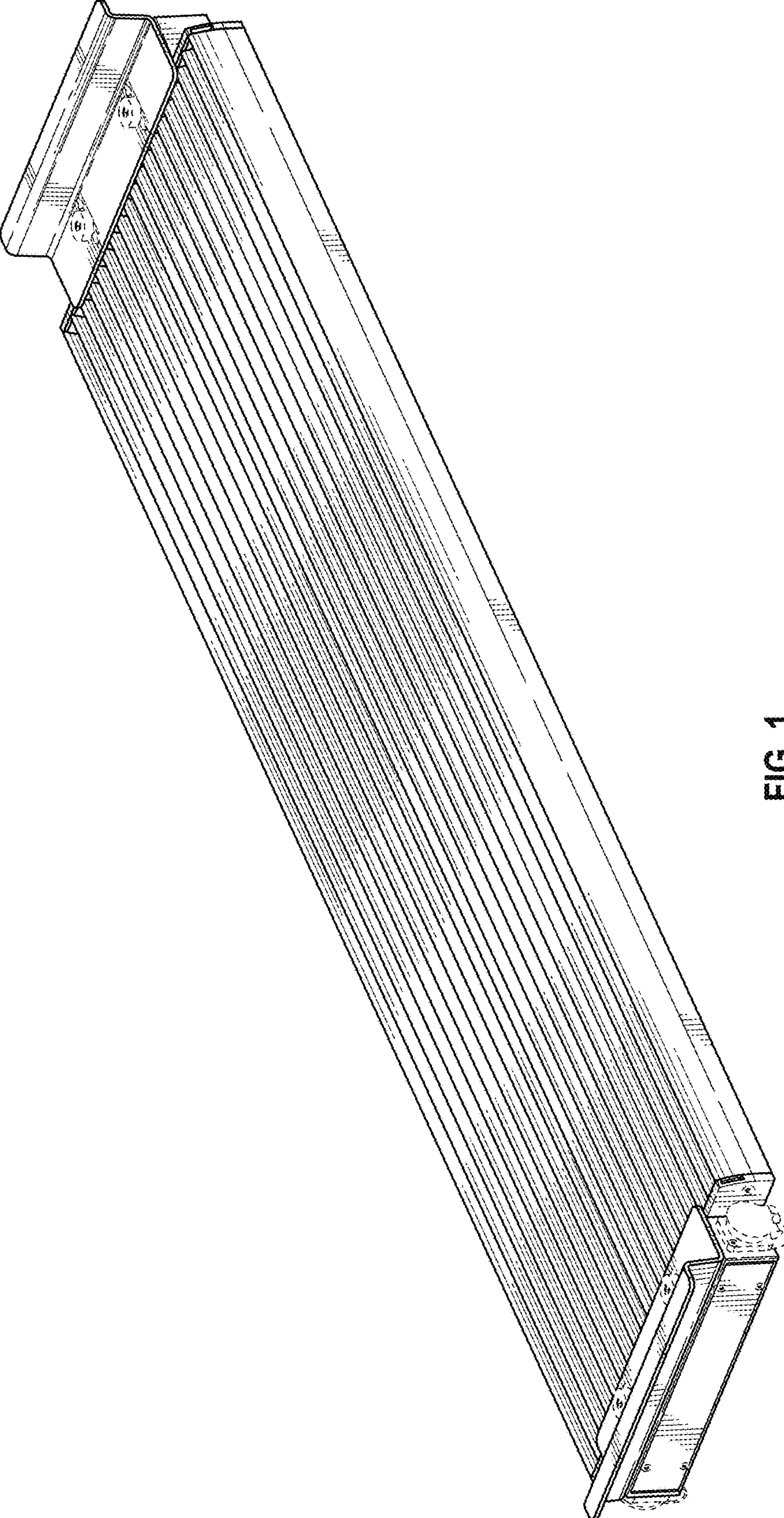


FIG. 1

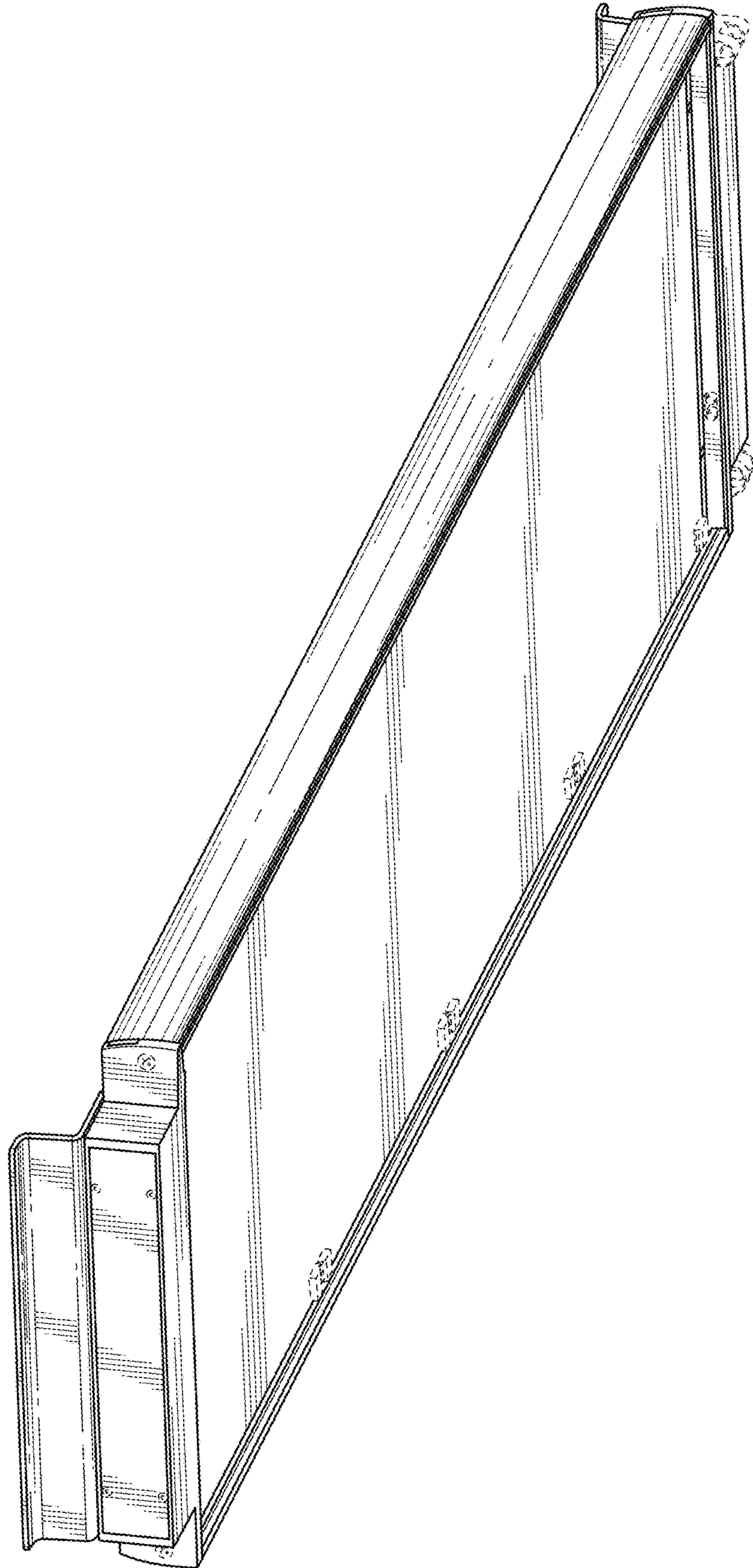


FIG. 2

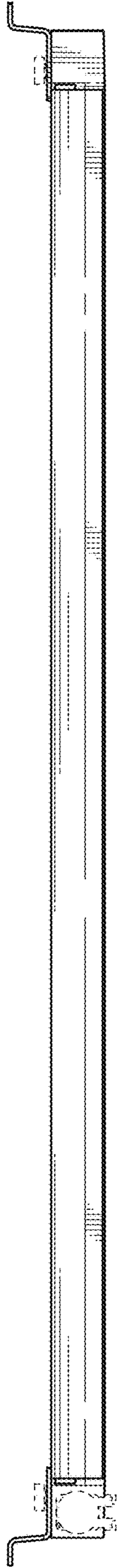


FIG. 3

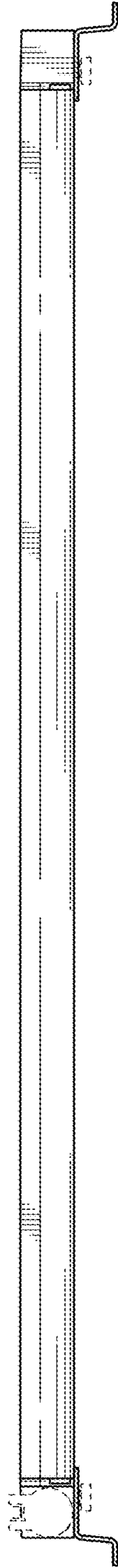


FIG. 4

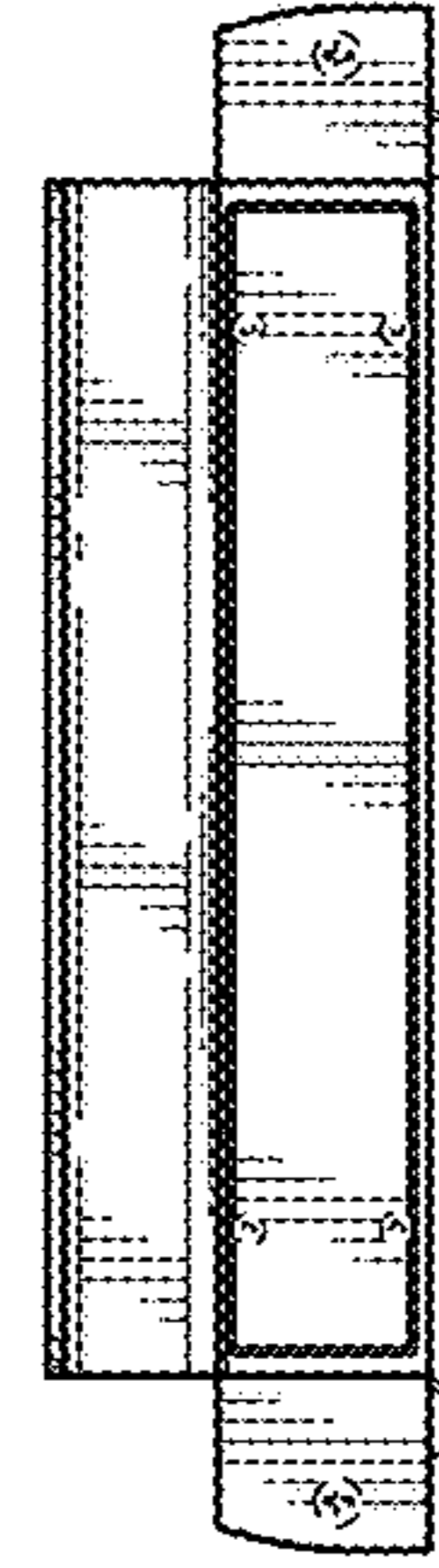


FIG. 6

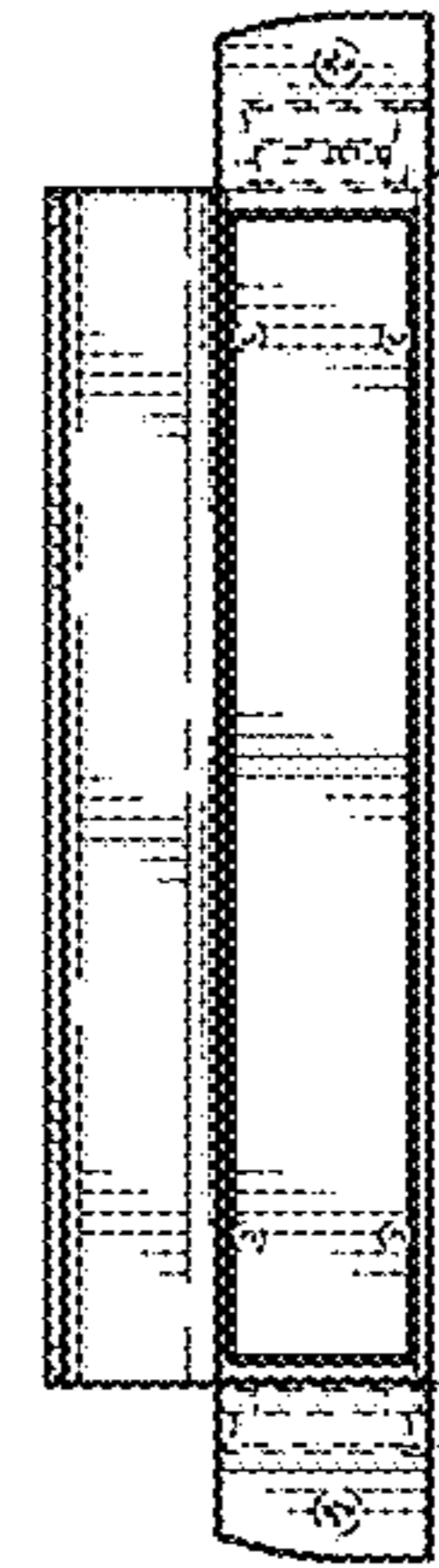


FIG. 5

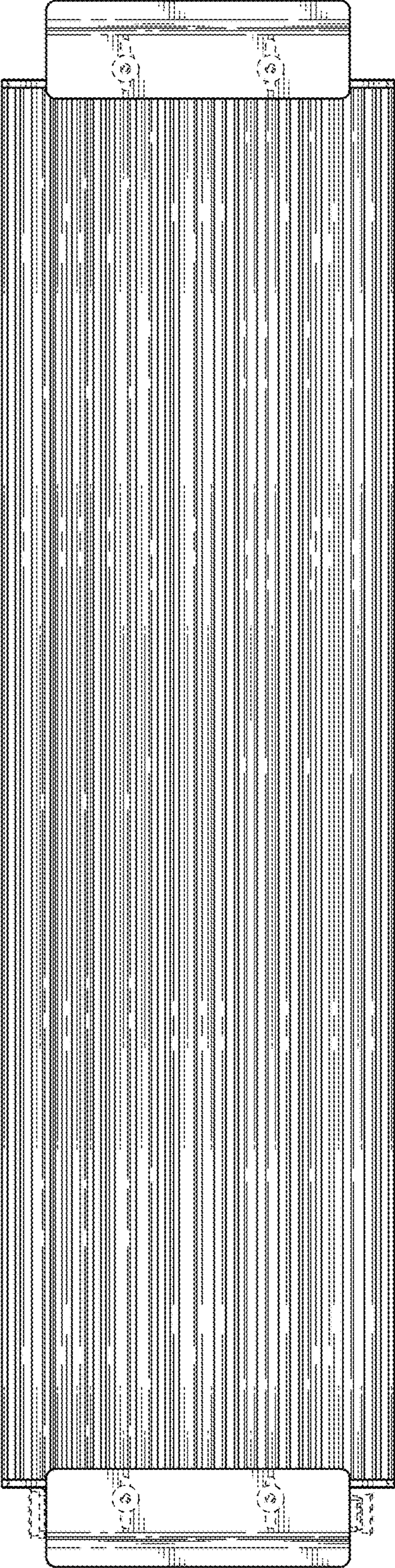


FIG. 7

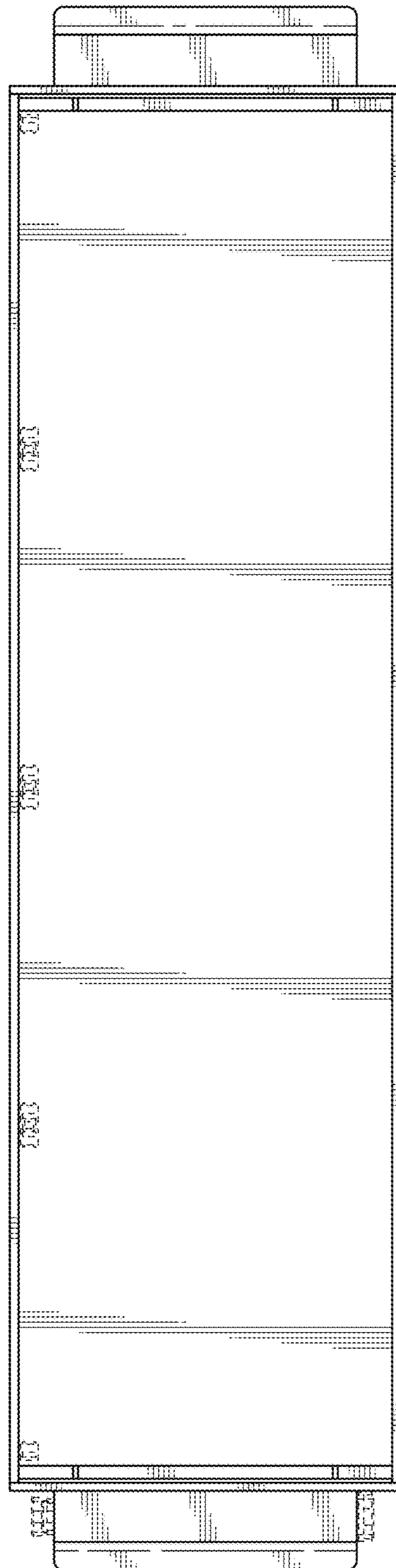


FIG. 8