



US00D789588S

(12) **United States Design Patent**  
**Lonsdale**

(10) **Patent No.:** **US D789,588 S**

(45) **Date of Patent:** **\*\* Jun. 13, 2017**

(54) **LUMINAIRE**

(71) Applicant: **ZUMTOBEL LIGHTING GMBH**,  
Dornbirn (AT)

(72) Inventor: **Julian Lonsdale**, Bregenz (AT)

(73) Assignee: **ZUMTOBEL LIGHTING GMBH**,  
Dornbirn (AT)

(\*\*) Term: **14 Years**

(21) Appl. No.: **29/525,054**

(22) Filed: **Apr. 27, 2015**

(30) **Foreign Application Priority Data**

Oct. 27, 2014 (EM) ..... 001 423 792

(51) **LOC (10) Cl.** ..... **26-03**

(52) **U.S. Cl.**  
USPC ..... **D26/76**

(58) **Field of Classification Search**

USPC ..... D26/24, 39, 59, 67, 68, 69, 70, 71, 72,  
D26/74, 77, 80, 88, 89, 138, 139, 140,  
D26/141, 142, 151, 152

CPC ..... F21V 17/12; F21V 17/18; F21V 21/002;  
F21V 21/043; F21V 21/047; F21V 21/06;  
F21V 21/084; F21V 21/14; F21V 23/04;  
F21V 33/00

See application file for complete search history.

(56) **References Cited**

**U.S. PATENT DOCUMENTS**

D608,932 S *	1/2010	Castelli	.....	D26/76
D617,487 S *	6/2010	Fowler, Jr.	.....	D26/76
D624,229 S *	9/2010	Adolph	.....	D26/76
D685,122 S *	6/2013	Kim	.....	D26/74
D704,372 S *	5/2014	Speier	.....	D26/76
D744,690 S *	12/2015	Boyer	.....	D26/76
D771,858 S *	11/2016	Wu	.....	D26/76

(Continued)

*Primary Examiner* — George D Kirschbaum

*Assistant Examiner* — Natasha Vujcic

(74) *Attorney, Agent, or Firm* — Marshall, Gerstein &  
Borun LLP

(57) **CLAIM**

The ornamental design for a luminaire, as shown and described.

**DESCRIPTION**

FIG. 1 is a perspective view of the front, first side, and first end of the new luminaire, showing the new design.

FIG. 2 is an enlarged view of the first end of the luminaire.

FIG. 3 is an enlarged view of the opposite end of the luminaire.

FIG. 4 is an elevation view of the first side of the luminaire.

FIG. 5 is an elevation view of the opposite side of the luminaire.

FIG. 6 is a front plan view of the luminaire.

FIG. 7 is a back plan view of the luminaire.

FIG. 8 is a perspective view of the front, first side, and first end of the same luminaire, showing a related design.

FIG. 9 is an enlarged view of the first end of the luminaire.

FIG. 10 is an enlarged view of the opposite end of the luminaire.

FIG. 11 is an elevation view of the first side of the luminaire.

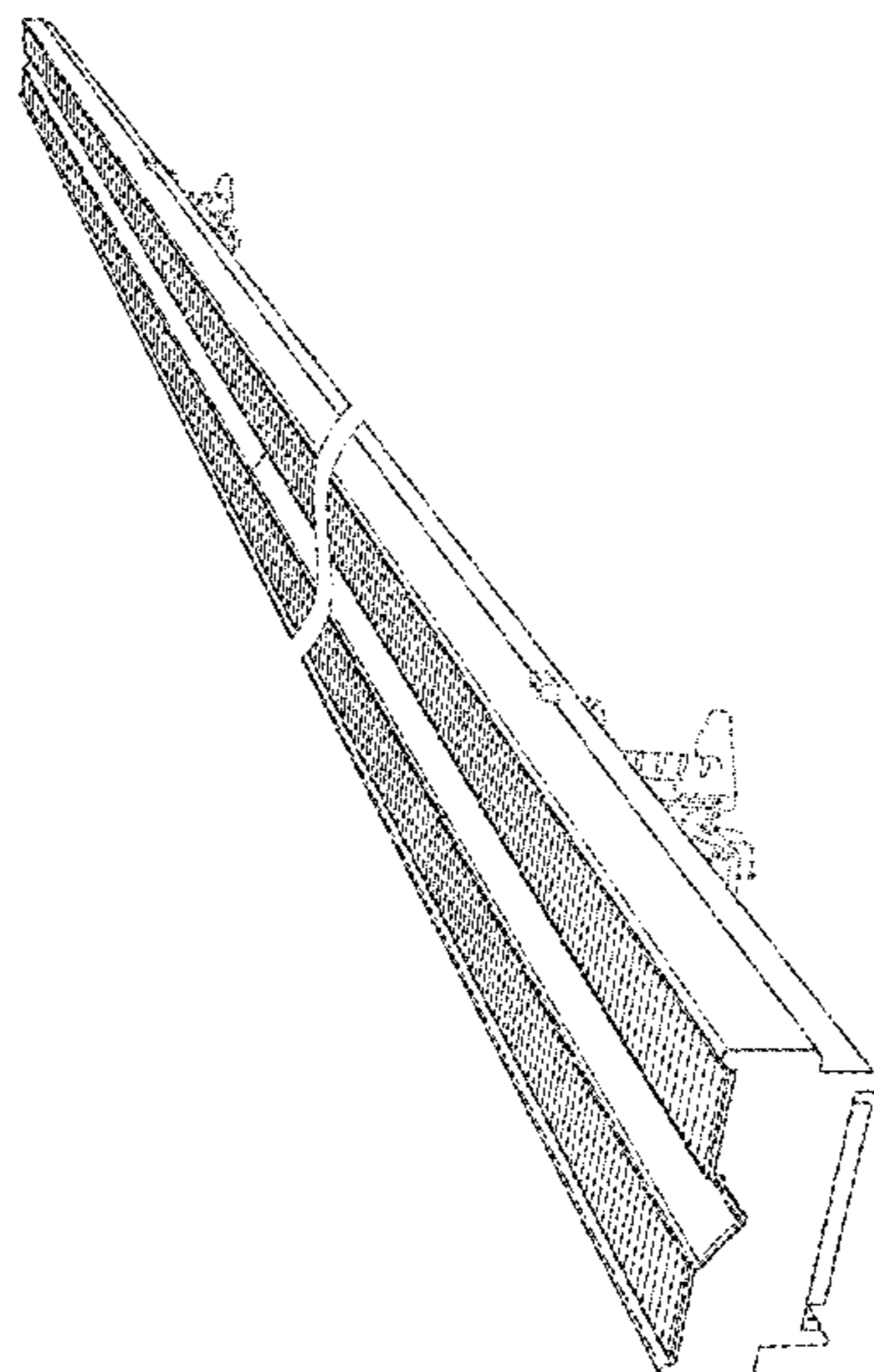
FIG. 12 is an elevation view of the opposite side of the luminaire.

FIG. 13 is a front plan view of the luminaire; and,

FIG. 14 is a back plan view of the luminaire.

The broken lines show elements of the luminaire that form no part of the claimed design. The break lines in FIGS. 1 and 4-7 indicate that the appearance of any portion of the luminaire between the break lines forms no part of the claimed design.

**1 Claim, 6 Drawing Sheets**



(56)

**References Cited**

U.S. PATENT DOCUMENTS

2015/0092410 A1\* 4/2015 Boyer ..... F21K 9/30  
362/235  
2016/0102814 A1\* 4/2016 Green ..... F21S 4/008  
362/221

\* cited by examiner

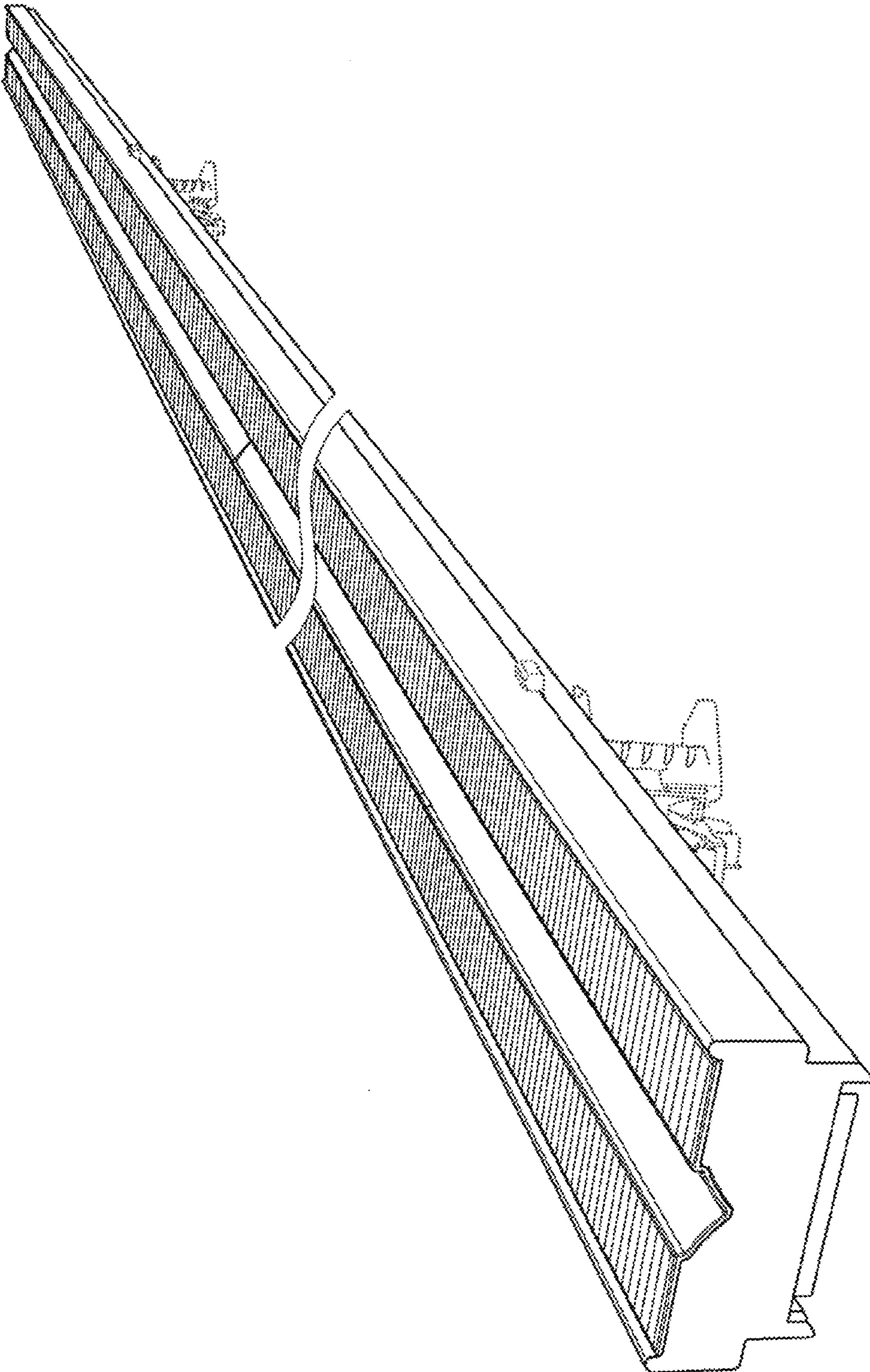


Fig. 1

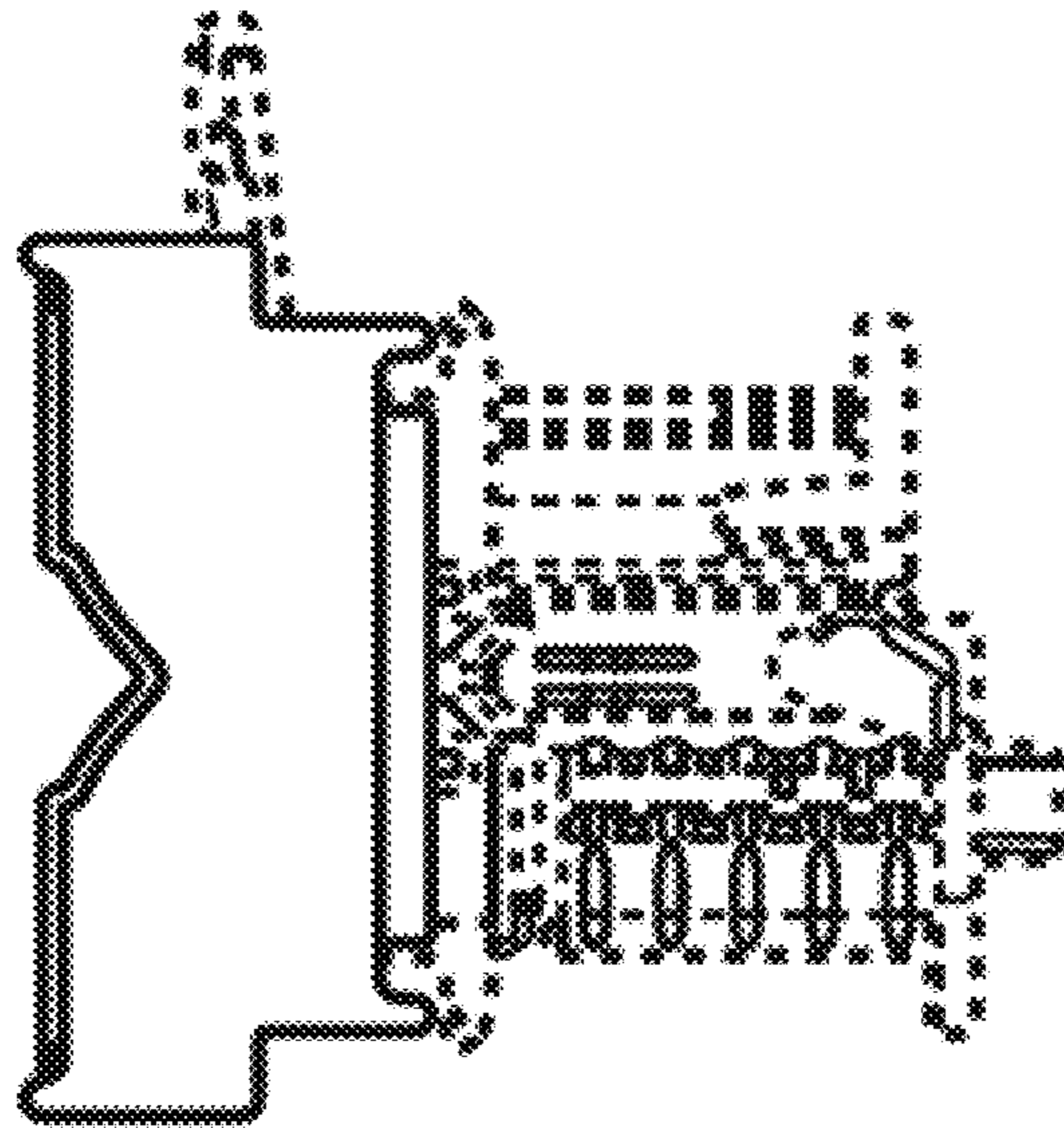


Fig. 2

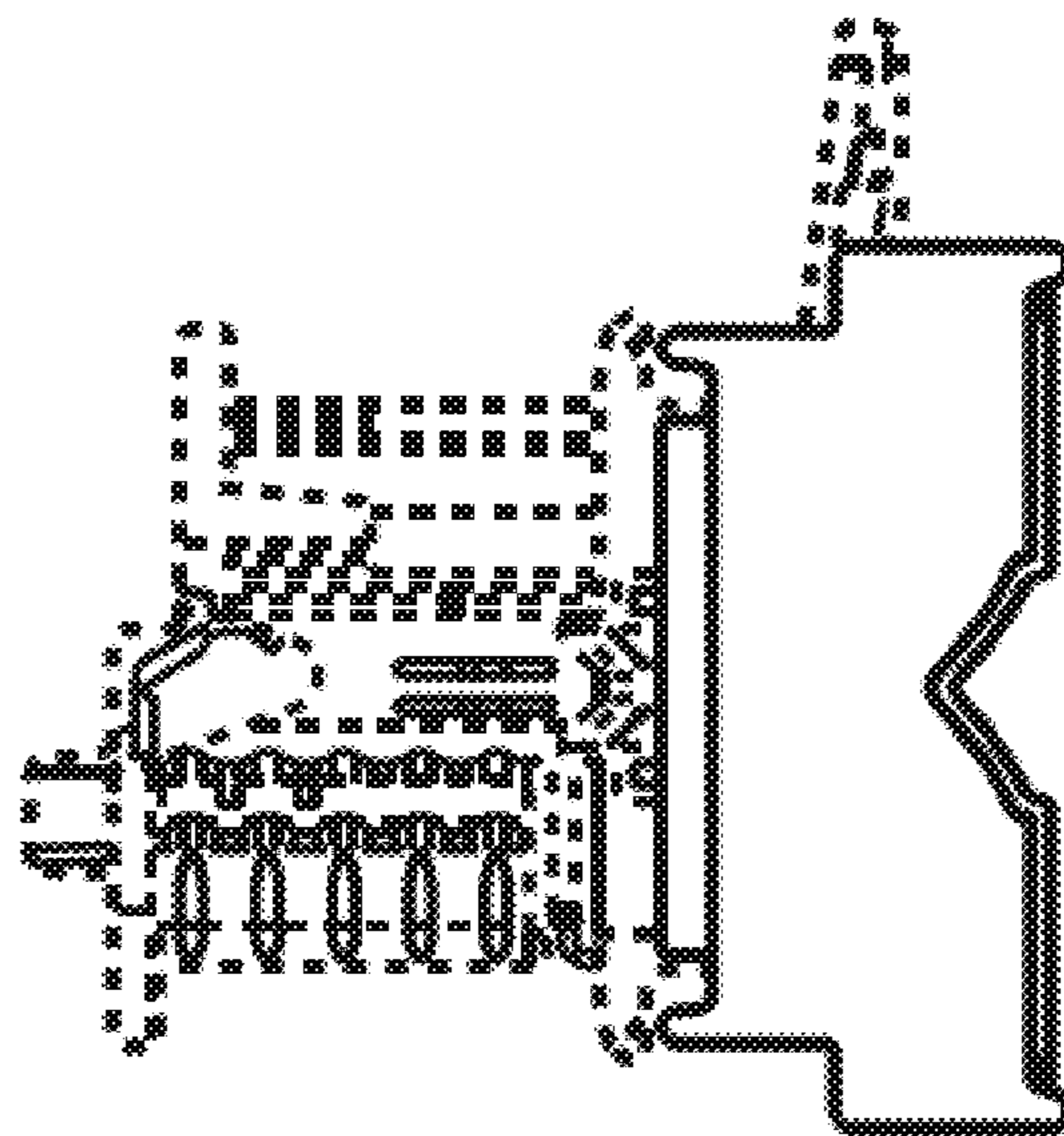


Fig. 3



Fig. 4

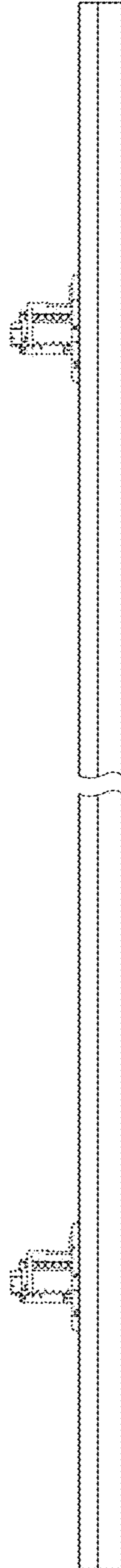


Fig. 5

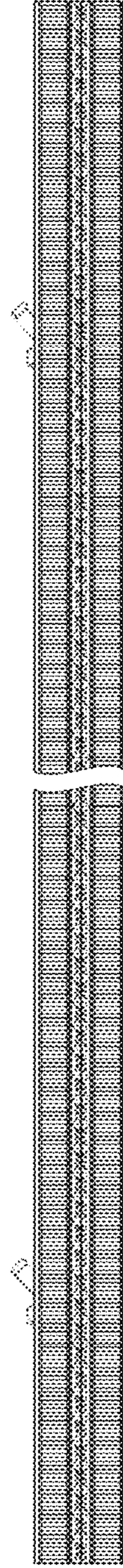


Fig. 6

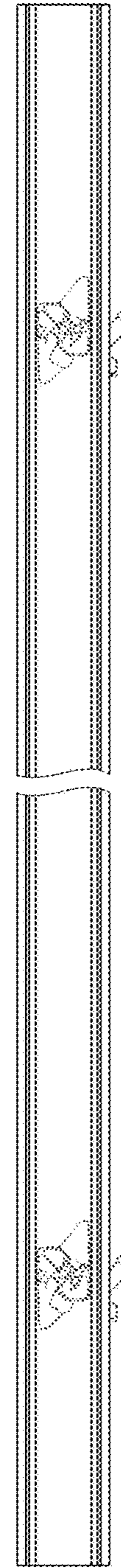


Fig. 7

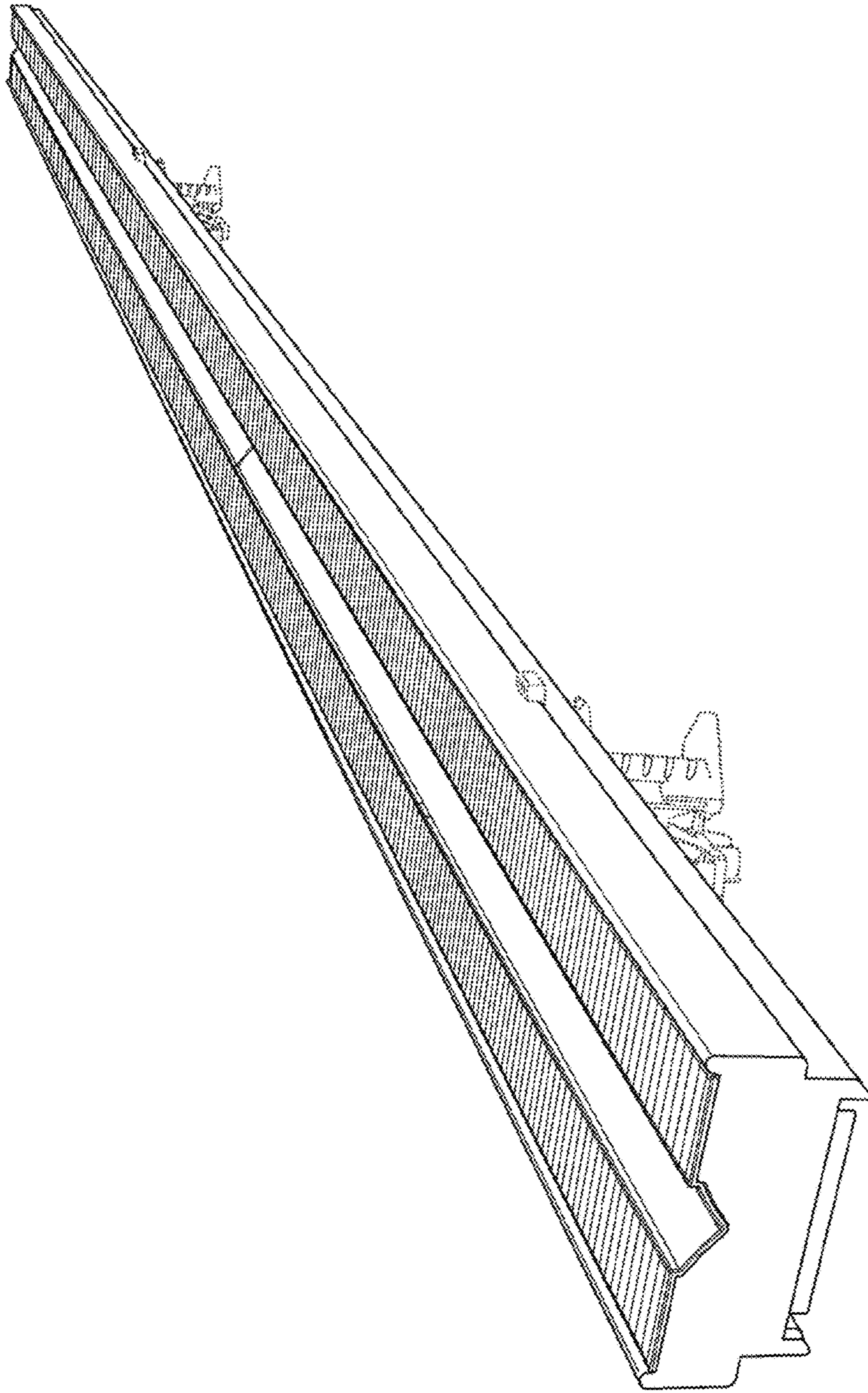


Fig. 8

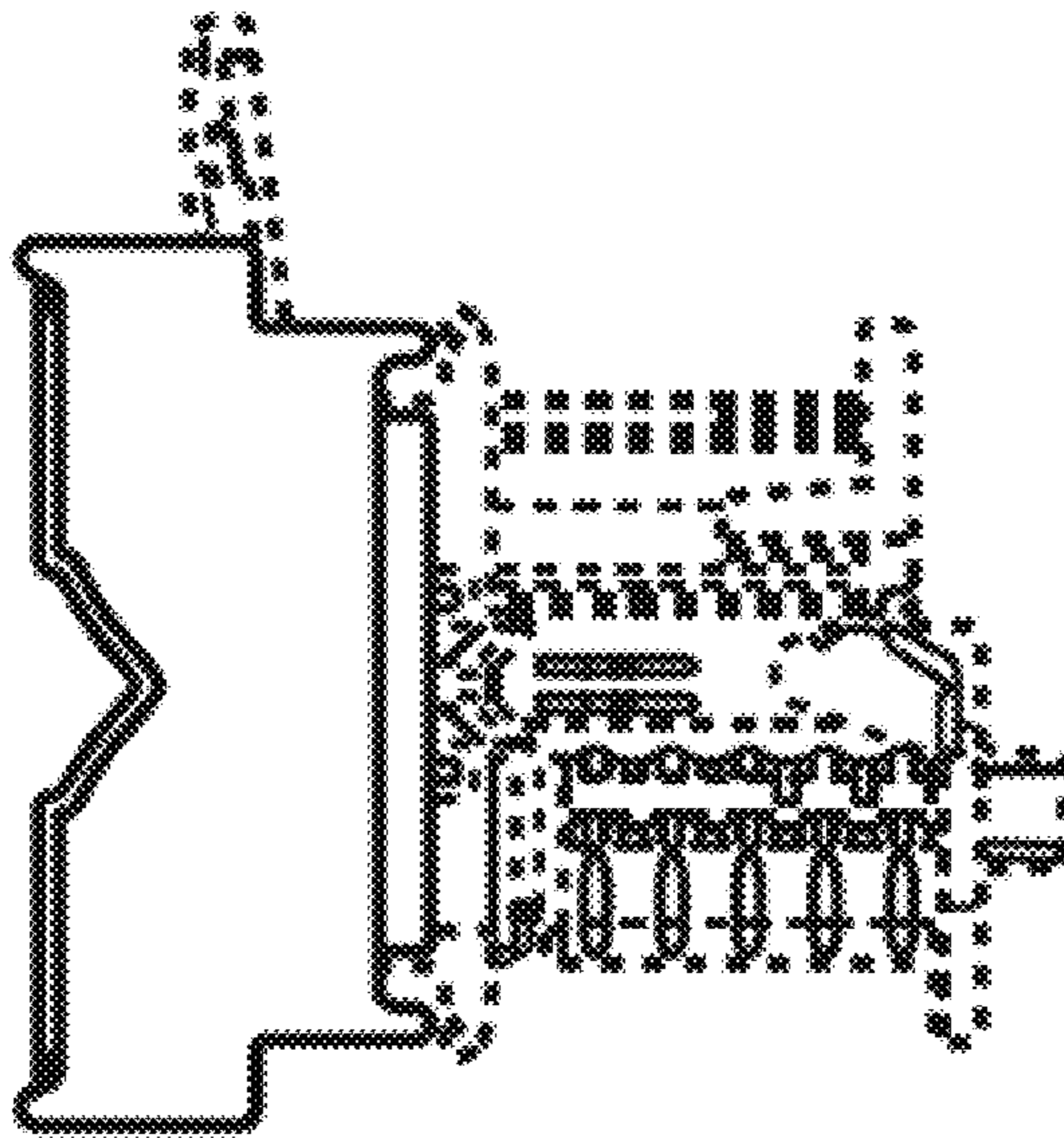


Fig. 9

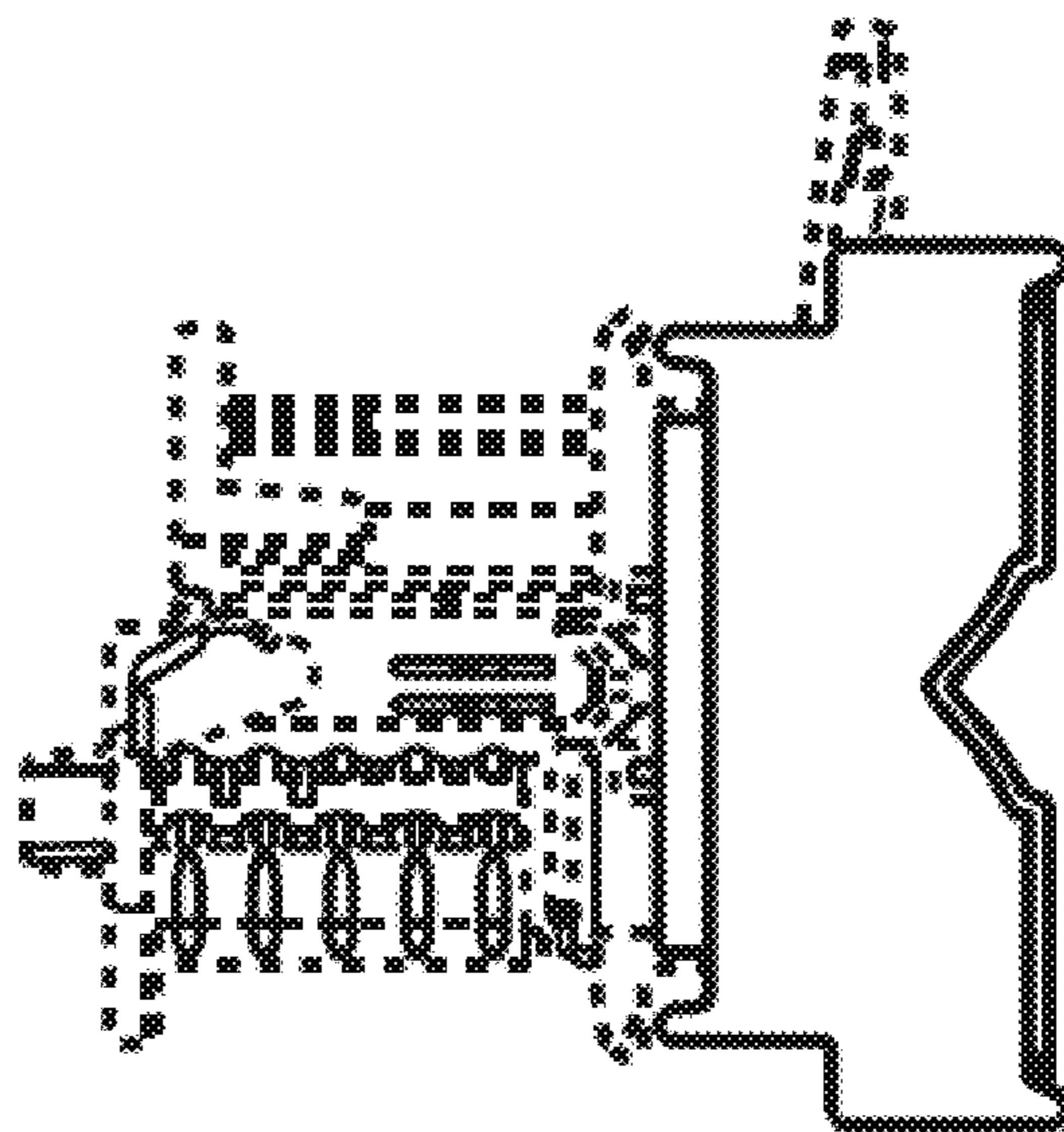


Fig. 10

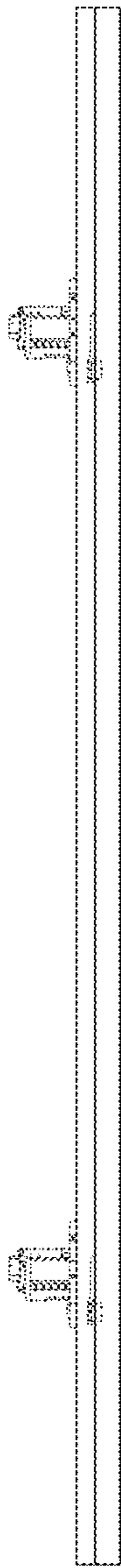


Fig. 11

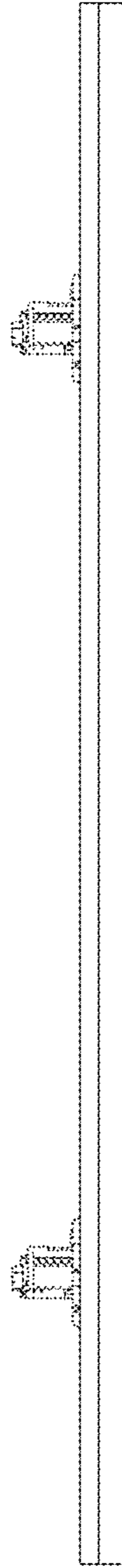


Fig. 12



Fig. 13

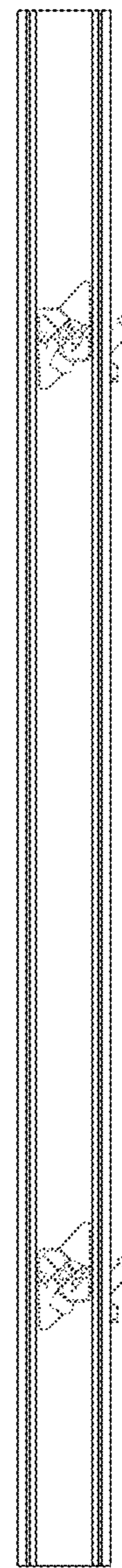


Fig. 14