



US00D789587S

(12) **United States Design Patent**
Salomon

(10) **Patent No.:** **US D789,587 S**
(45) **Date of Patent:** **** Jun. 13, 2017**

(54) **LIGHTING FIXTURE**

(71) Applicant: **SPECIALITY LIGHTING INDUSTRIES, INC.**, Ocean, NJ (US)

(72) Inventor: **Benjamin Salomon**, Elberon, NJ (US)

(73) Assignee: **Specialty Lighting Industries, Inc.**, Ocean, NJ (US)

(**) Term: **15 Years**

(21) Appl. No.: **29/557,384**

(22) Filed: **Mar. 8, 2016**

(51) **LOC (10) Cl.** **26-05**

(52) **U.S. Cl.**
USPC **D26/74**

(58) **Field of Classification Search**
USPC D26/74, 72, 75, 76, 77, 78, 85, 88, 89, D26/118, 138, 141; 362/364, 365, 373, 362/145, 146, 147, 148, 150, 153, 153.1, 362/294, 296.01, 296.07, 296.08
CPC F21V 29/2262; F21V 7/06; F21V 21/044; F21V 21/047; F21V 29/2212; F21V 29/2225; F21V 29/2256; F21V 29/225; F21V 29/2268; F21Y 2111/002; F21S 8/02; F21S 8/026
See application file for complete search history.

(56) **References Cited**

U.S. PATENT DOCUMENTS

D258,919 S * 4/1981 Kristofek D26/142
6,612,076 B2 * 9/2003 Jacksen E04F 19/083
248/27.1

D592,347 S * 5/2009 Trott D26/118
D600,392 S * 9/2009 Ling D26/74
D601,741 S * 10/2009 Trott D26/118
D641,913 S * 7/2011 Lagutko D26/74
D673,712 S * 1/2013 Patel D26/74
D695,442 S * 12/2013 Speier D26/74
D711,036 S * 8/2014 Salomon D26/74
D713,585 S * 9/2014 Van Lierde D26/66
D718,484 S * 11/2014 Eberle D26/89
D747,534 S * 1/2016 Guercio D26/89
D770,661 S * 11/2016 Huang D26/74

* cited by examiner

Primary Examiner — Angela J Lee

(74) *Attorney, Agent, or Firm* — Jeffery J Brosemer

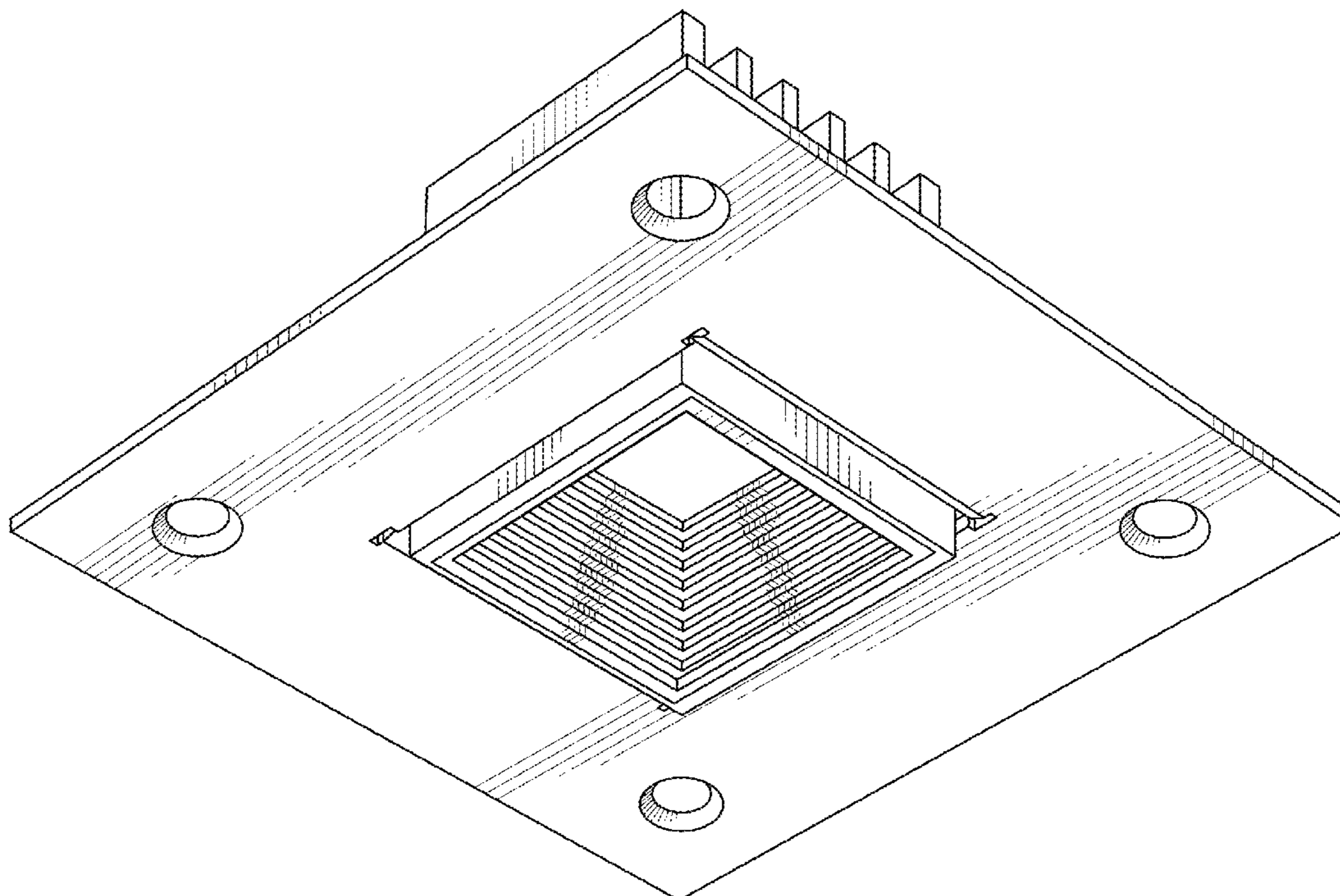
(57) **CLAIM**

The ornamental design for a lighting fixture, as shown and described.

DESCRIPTION

FIG. 1 is a perspective view of a lighting fixture showing my new design;
FIG. 2 is a front side view thereof, the back side view being identical thereto;
FIG. 3 is a right side view thereof, the left side view being identical thereto;
FIG. 4 is a top view thereof; and,
FIG. 5 is a bottom view thereof.

1 Claim, 4 Drawing Sheets



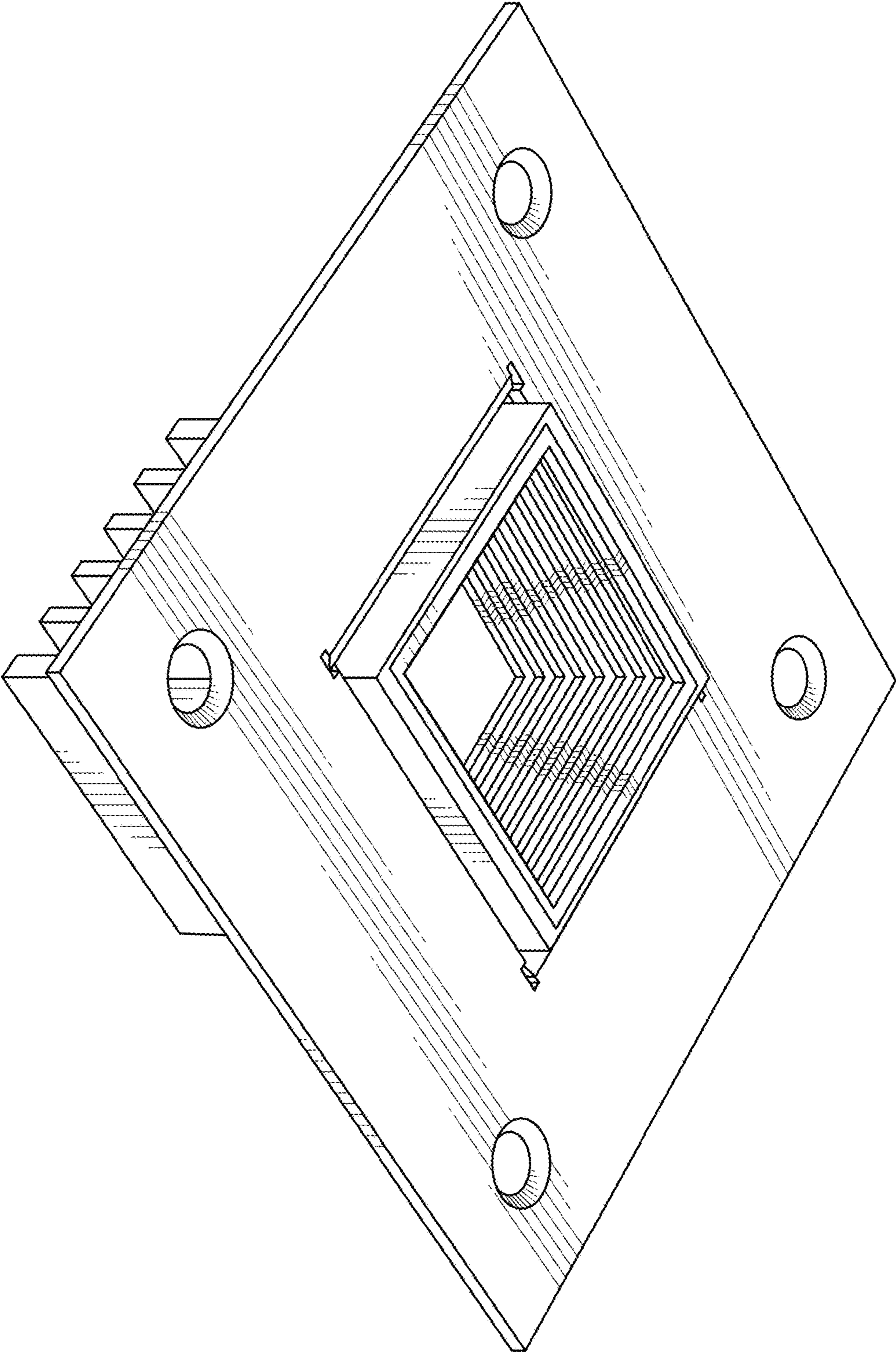


FIG. 1

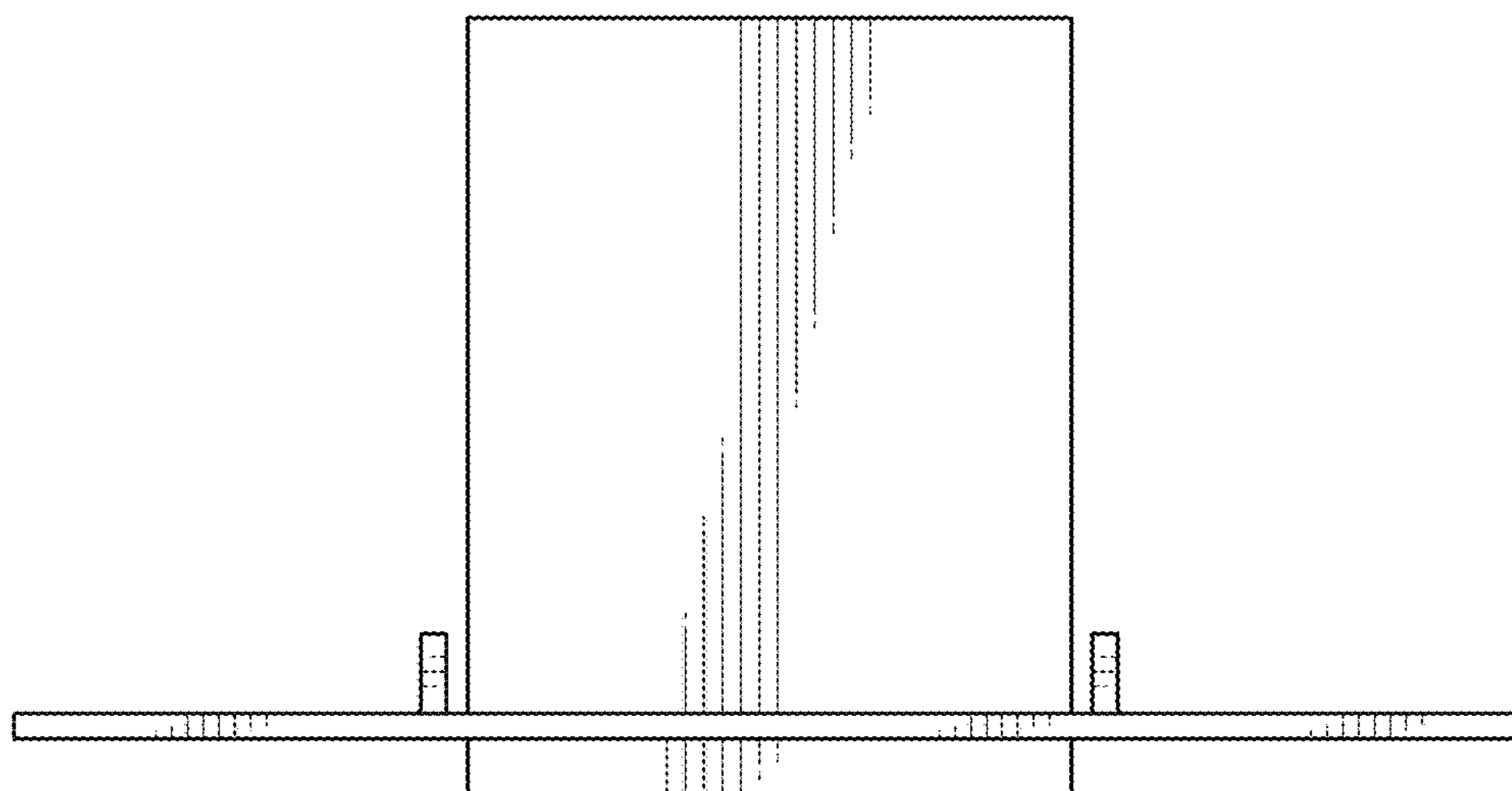


FIG. 2

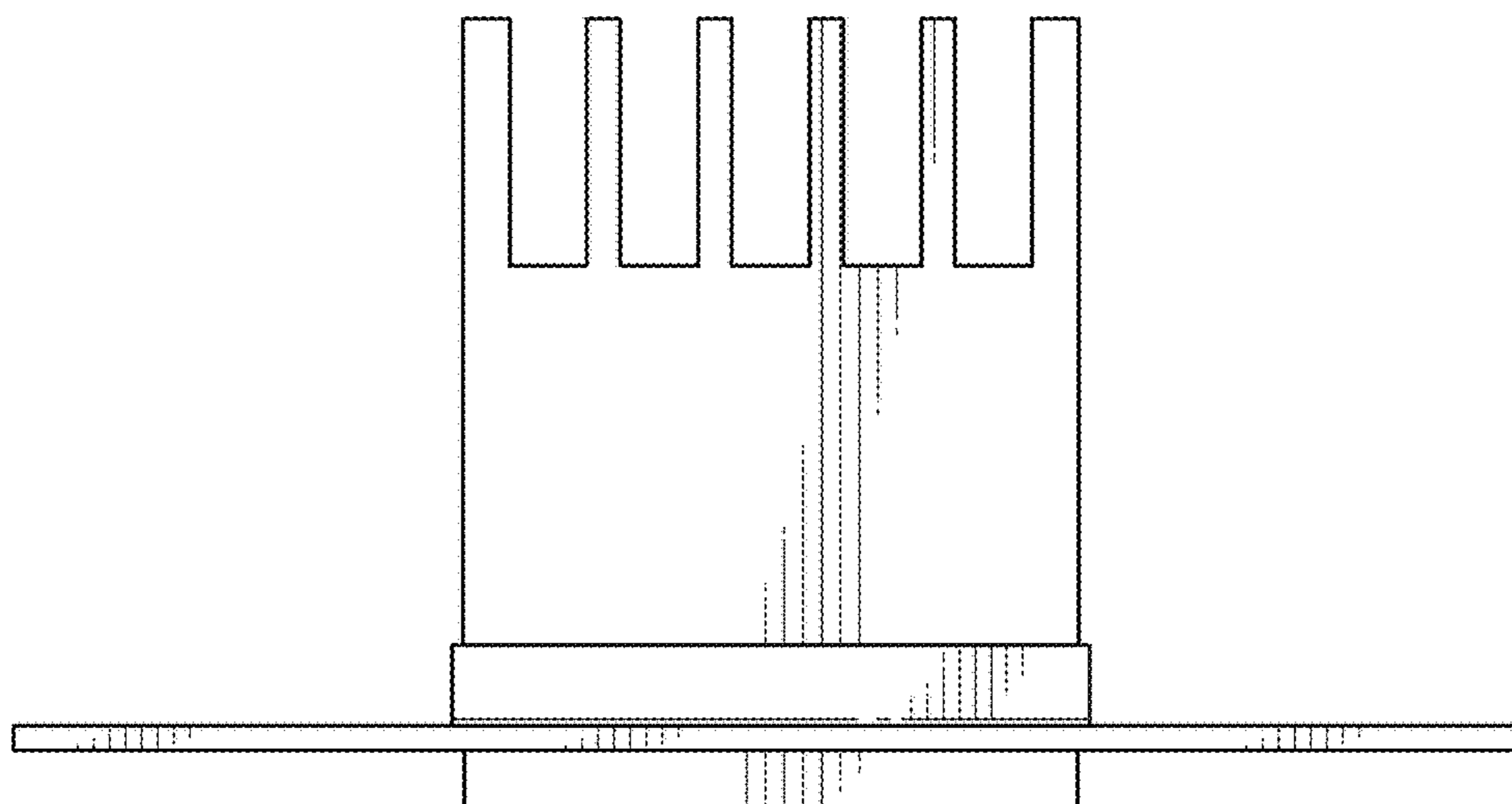


FIG. 3

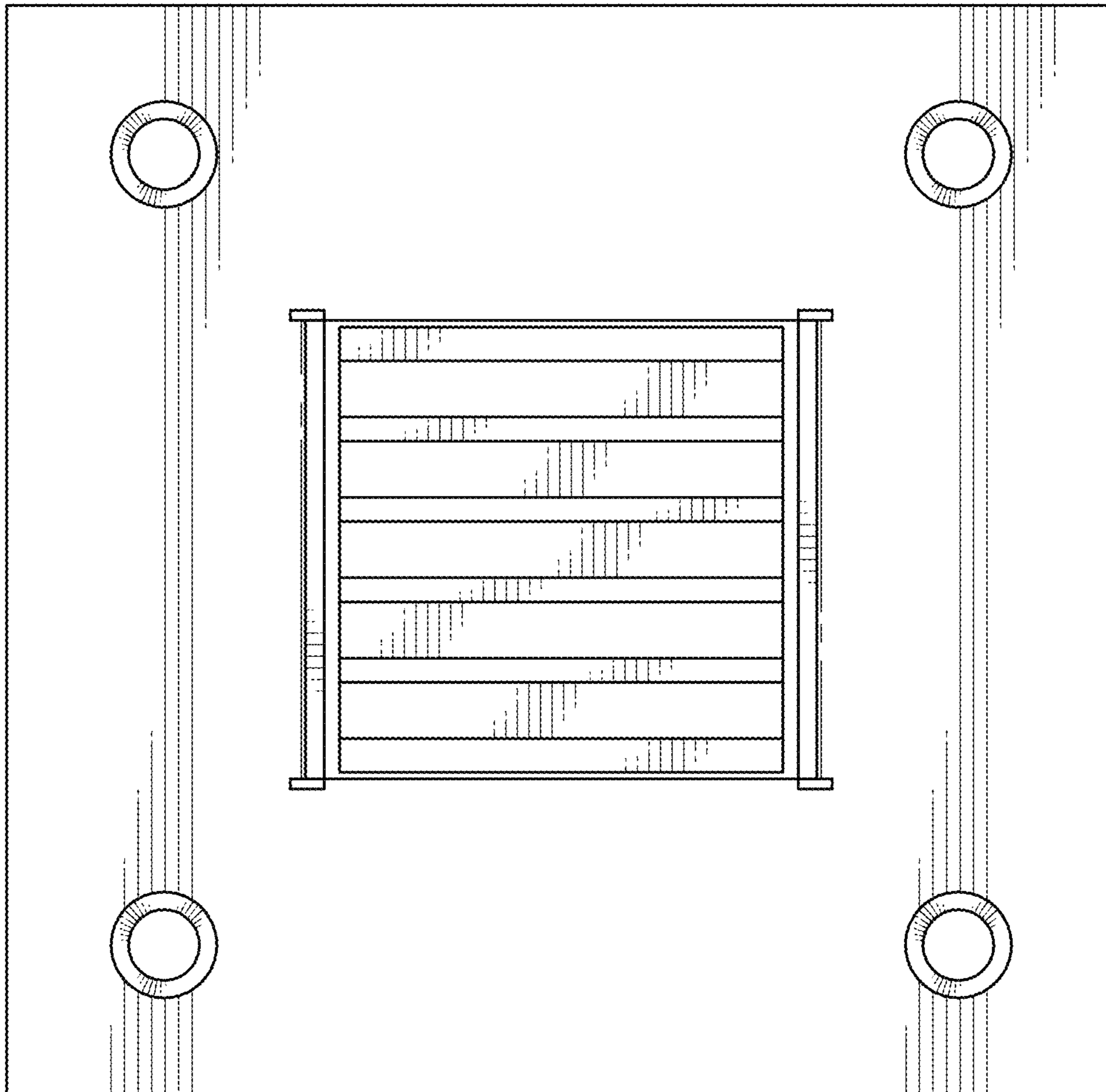


FIG. 4

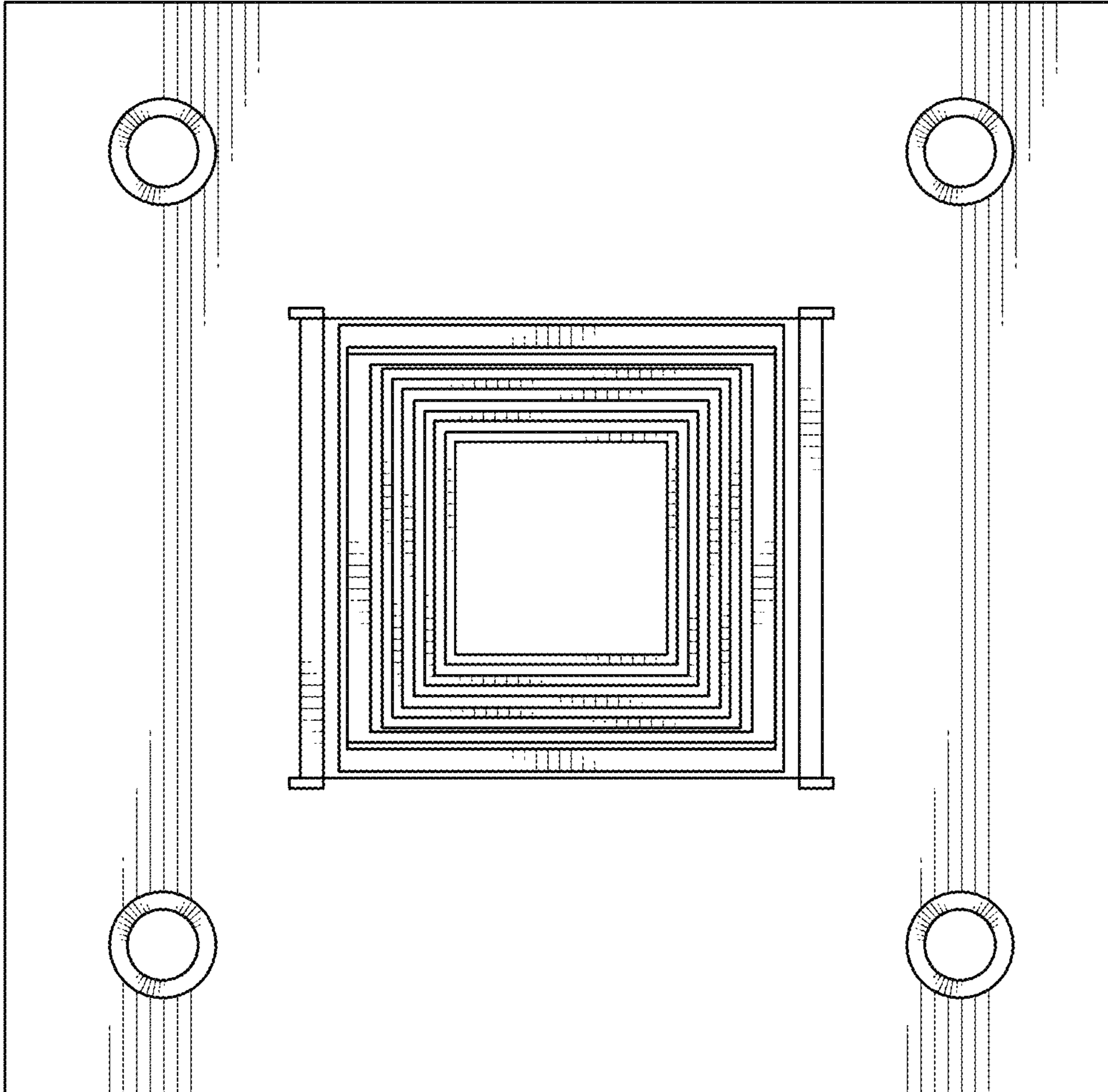


FIG. 5