



US00D789586S

(12) **United States Design Patent**
Guzzini

(10) **Patent No.:** **US D789,586 S**
(45) **Date of Patent:** **** Jun. 13, 2017**

(54) **RECESSED DOWNLIGHTS FOR INDOOR USE**

(71) Applicant: **Iguzzini Illuminazione S.P.A.**, Recanati (IT)

(72) Inventor: **Adolfo Guzzini**, Recanati (IT)

(73) Assignee: **Iguzzini Illuminazione S.P.A.**, Recanati (IT)

(**) Term: **15 Years**

(21) Appl. No.: **29/542,196**

(22) Filed: **Oct. 12, 2015**

(30) **Foreign Application Priority Data**

Apr. 10, 2015 (EM) 002679282-0047

(51) **LOC (10) Cl.** **26-05**

(52) **U.S. Cl.**
USPC **D26/74**

(58) **Field of Classification Search**
USPC D26/74, 72, 75, 76, 77, 78, 85, 88, 89, D26/118, 138, 141; 362/364, 365, 373, 362/145, 146, 147, 148, 150, 153, 153.1, 362/294, 296.01, 296.07, 296.08
CPC F21V 29/2262; F21V 7/06; F21V 21/044; F21V 21/047; F21V 29/2212; F21V 29/2225; F21V 29/2256; F21V 29/225; F21V 29/2268; F21Y 2111/002; F21S 8/02; F21S 8/026
See application file for complete search history.

(56) **References Cited**

U.S. PATENT DOCUMENTS

D569,024 S * 5/2008 Redfern D26/74
D681,861 S * 5/2013 Soni D26/74

D696,447 S * 12/2013 Huh D26/74
D697,651 S * 1/2014 Carpenter D26/74
D698,069 S * 1/2014 Messisaen D26/74
D698,970 S * 2/2014 Guzzini D26/74
D698,971 S * 2/2014 Guzzini D26/74
D699,385 S * 2/2014 Guzzini D26/74
D715,476 S * 10/2014 Tien D26/74
D740,996 S * 10/2015 Tragatschnig D26/118

FOREIGN PATENT DOCUMENTS

EM 001407092-0005 3/2014

* cited by examiner

Primary Examiner — Angela J Lee

(74) *Attorney, Agent, or Firm* — Stetina Brunda Garred & Brucker

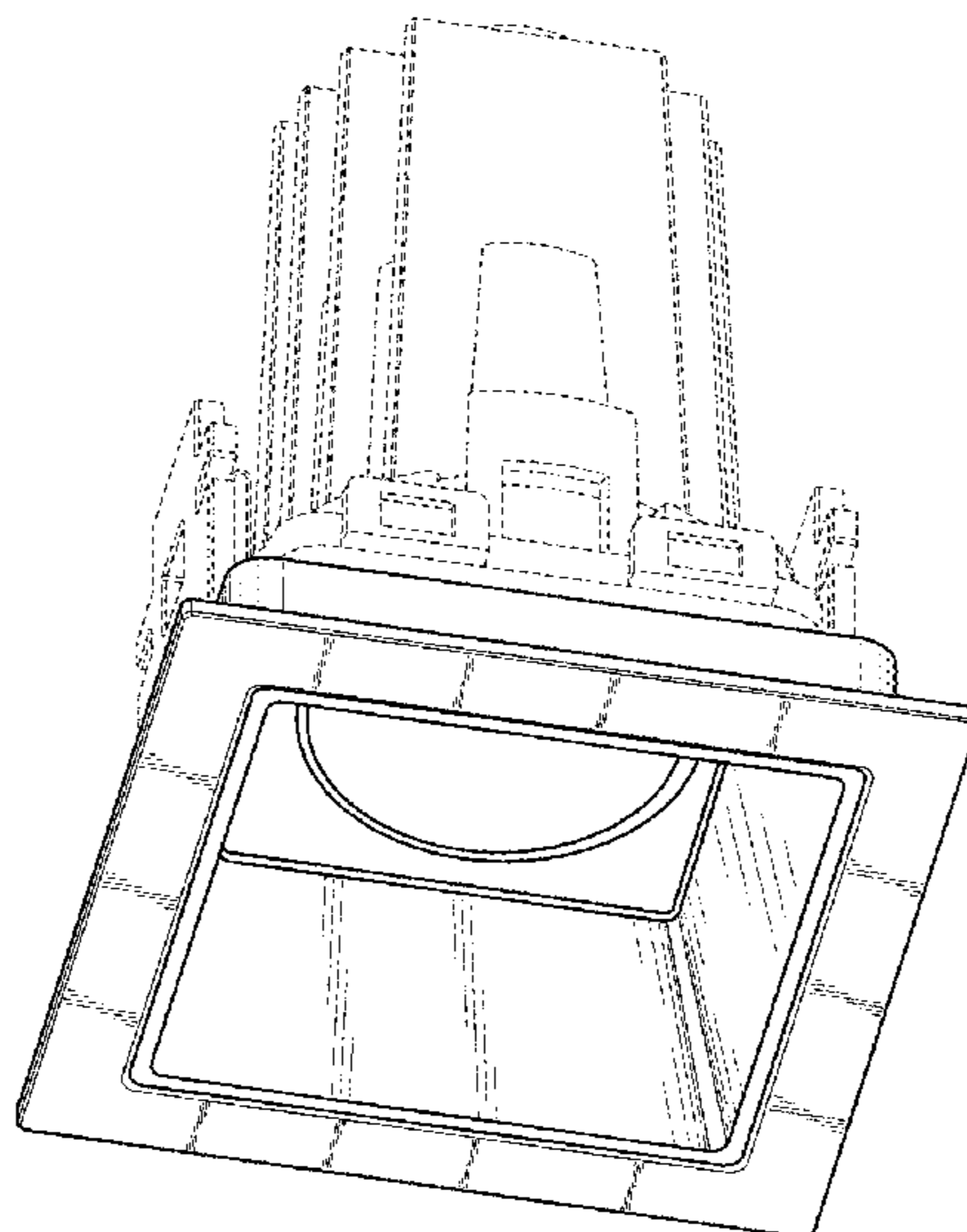
(57) **CLAIM**

The ornamental design for recessed downlights for indoor use, as shown and described.

DESCRIPTION

FIG. 1 is a front perspective view of the recessed downlights for indoor use of the present invention showing my new design, with the dotted lines depicting environmental structure and forming no part of the claimed design;
FIG. 2 is a front view thereof;
FIG. 3 is a right view thereof;
FIG. 4 is a left view thereof;
FIG. 5 is a back view thereof;
FIG. 6 is a top view thereof; and,
FIG. 7 is a bottom view thereof.

1 Claim, 7 Drawing Sheets



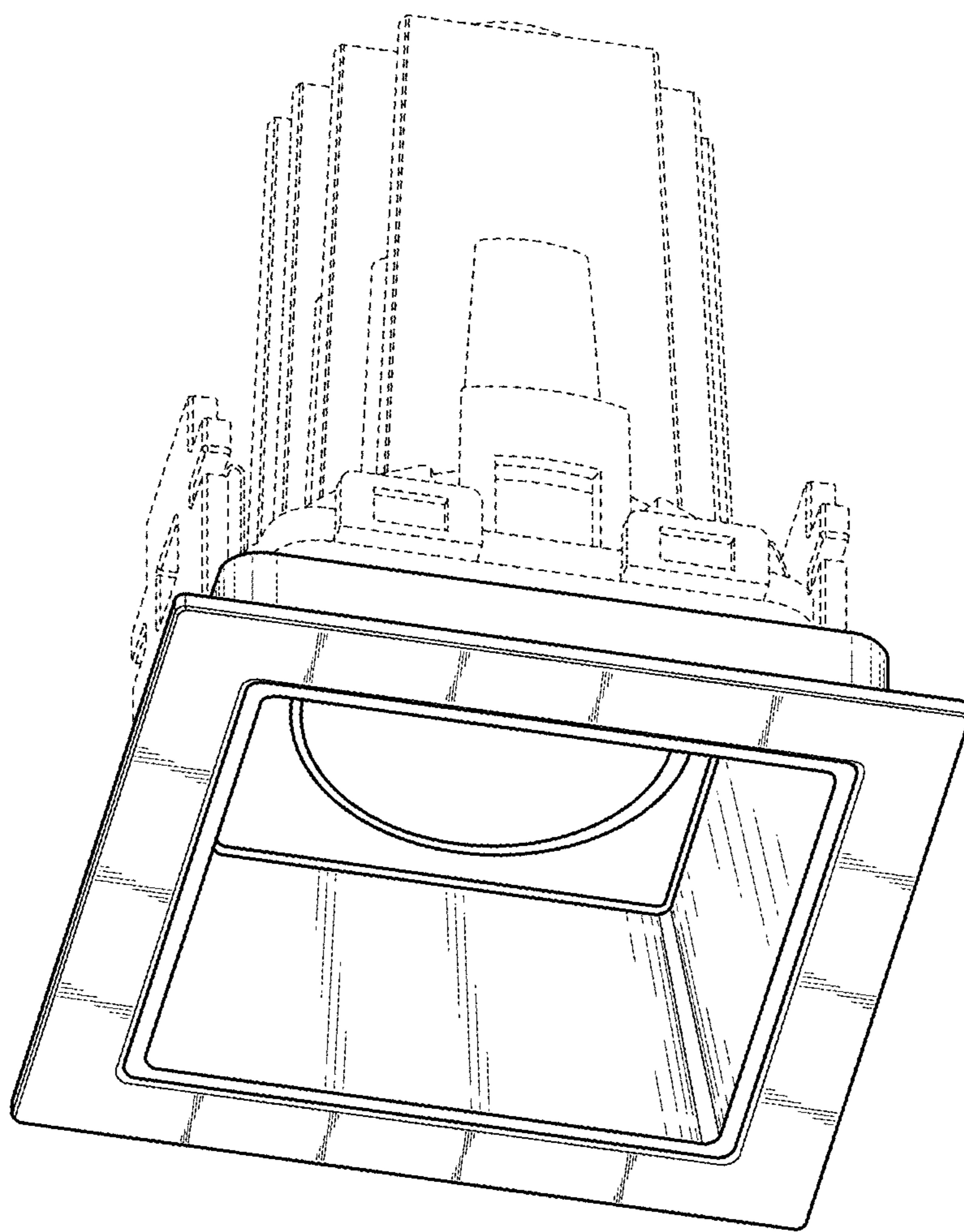


Fig. 1

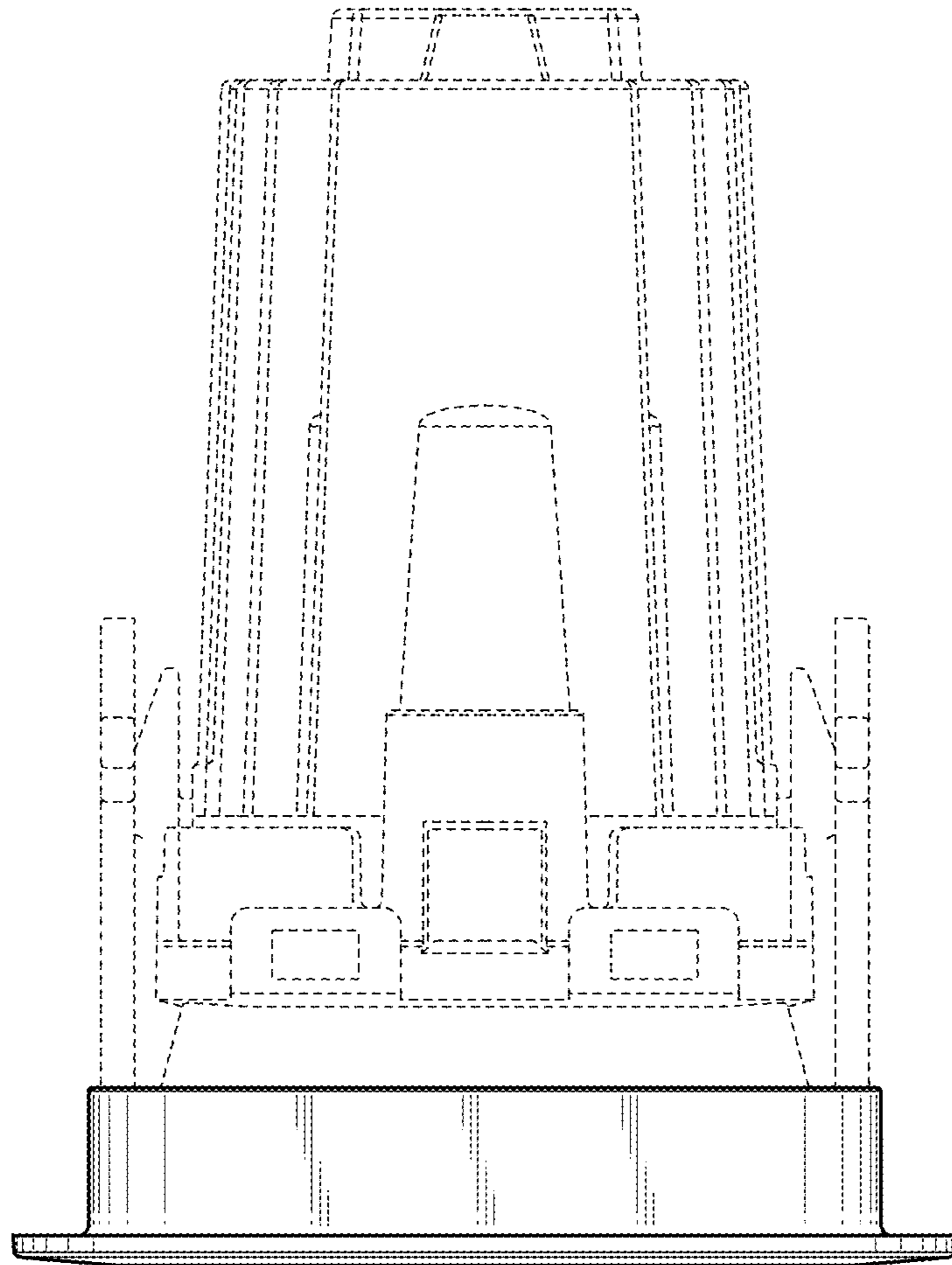


Fig. 2

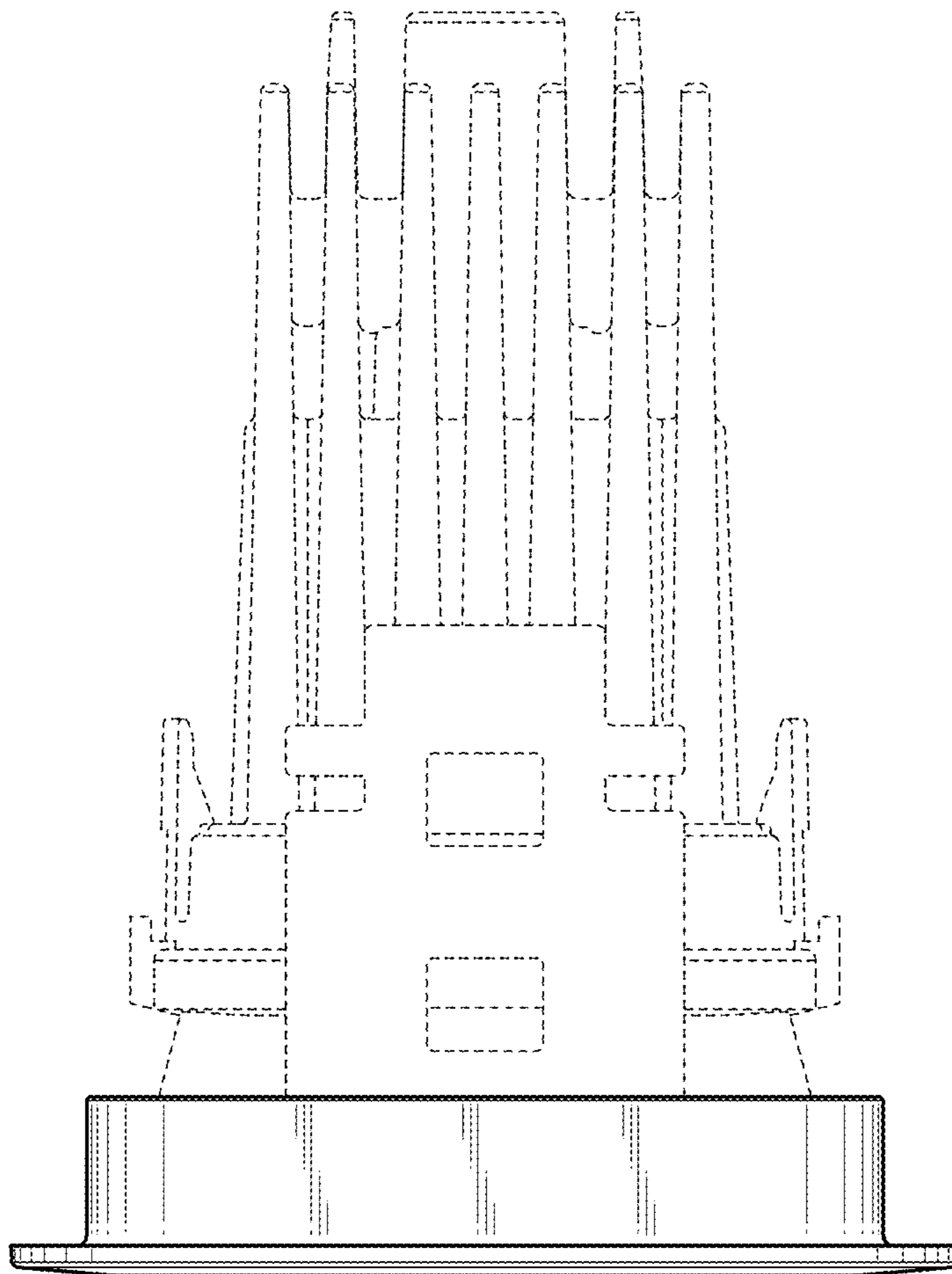


Fig. 3

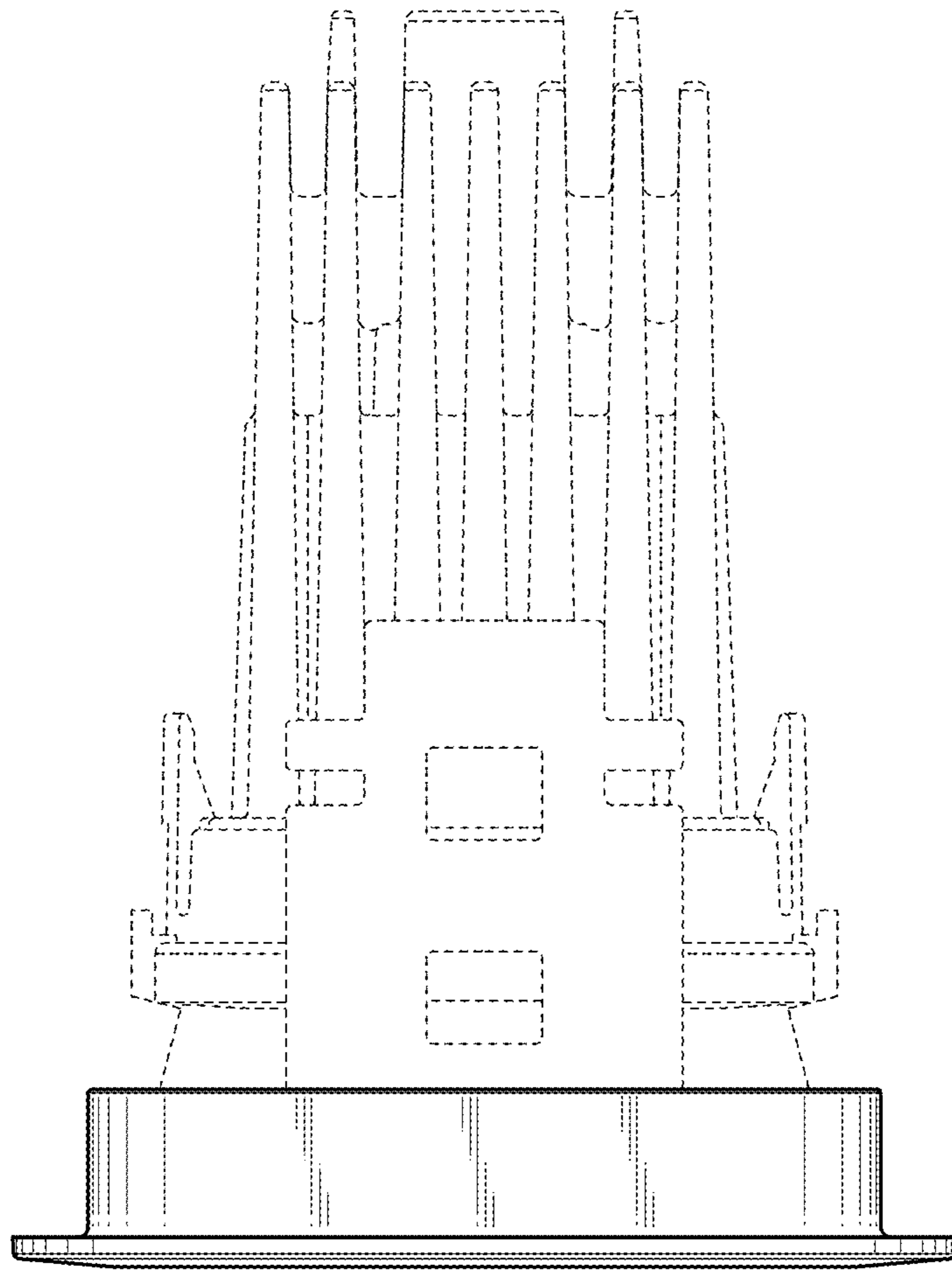


Fig. 4

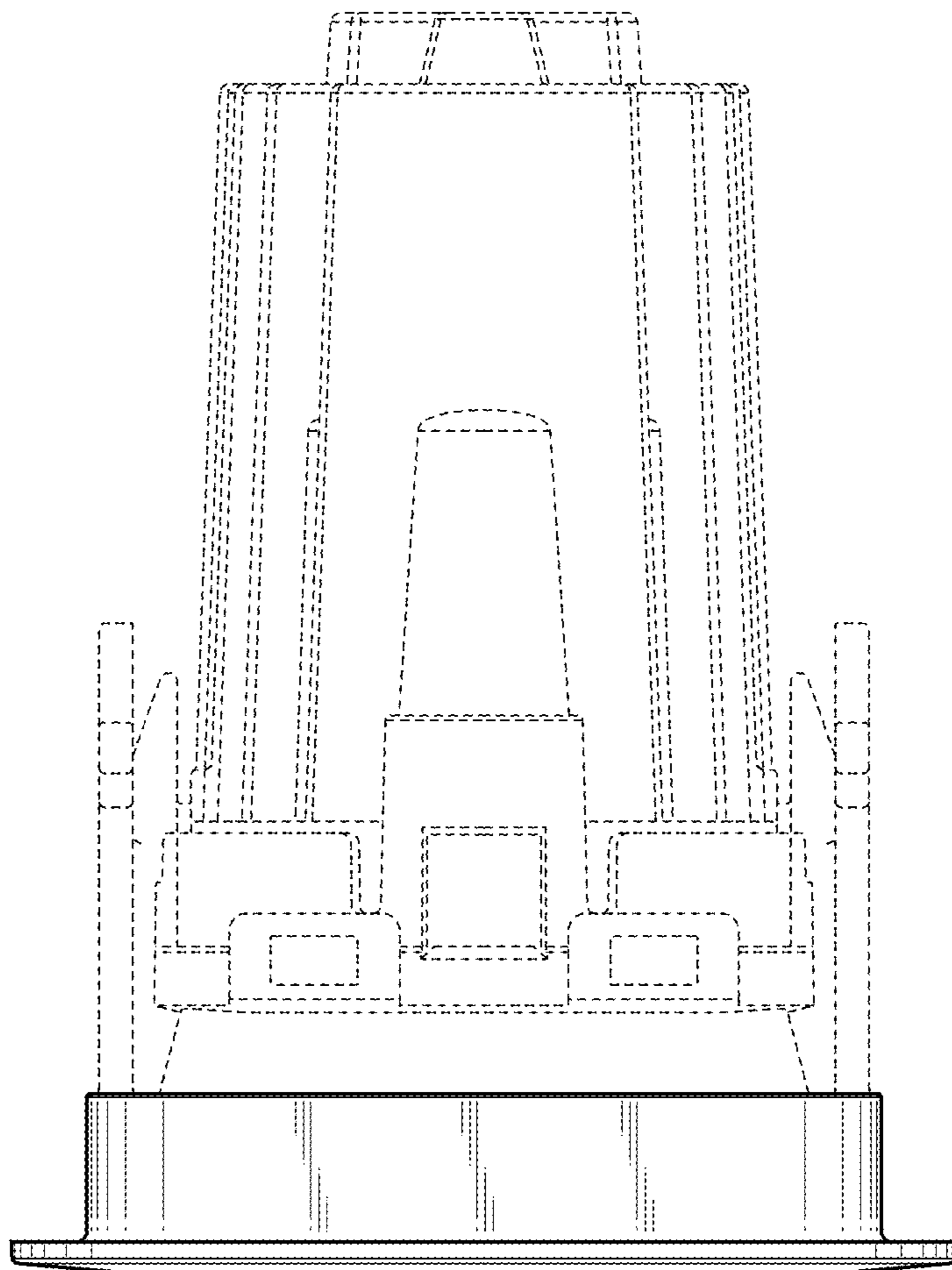


Fig. 5

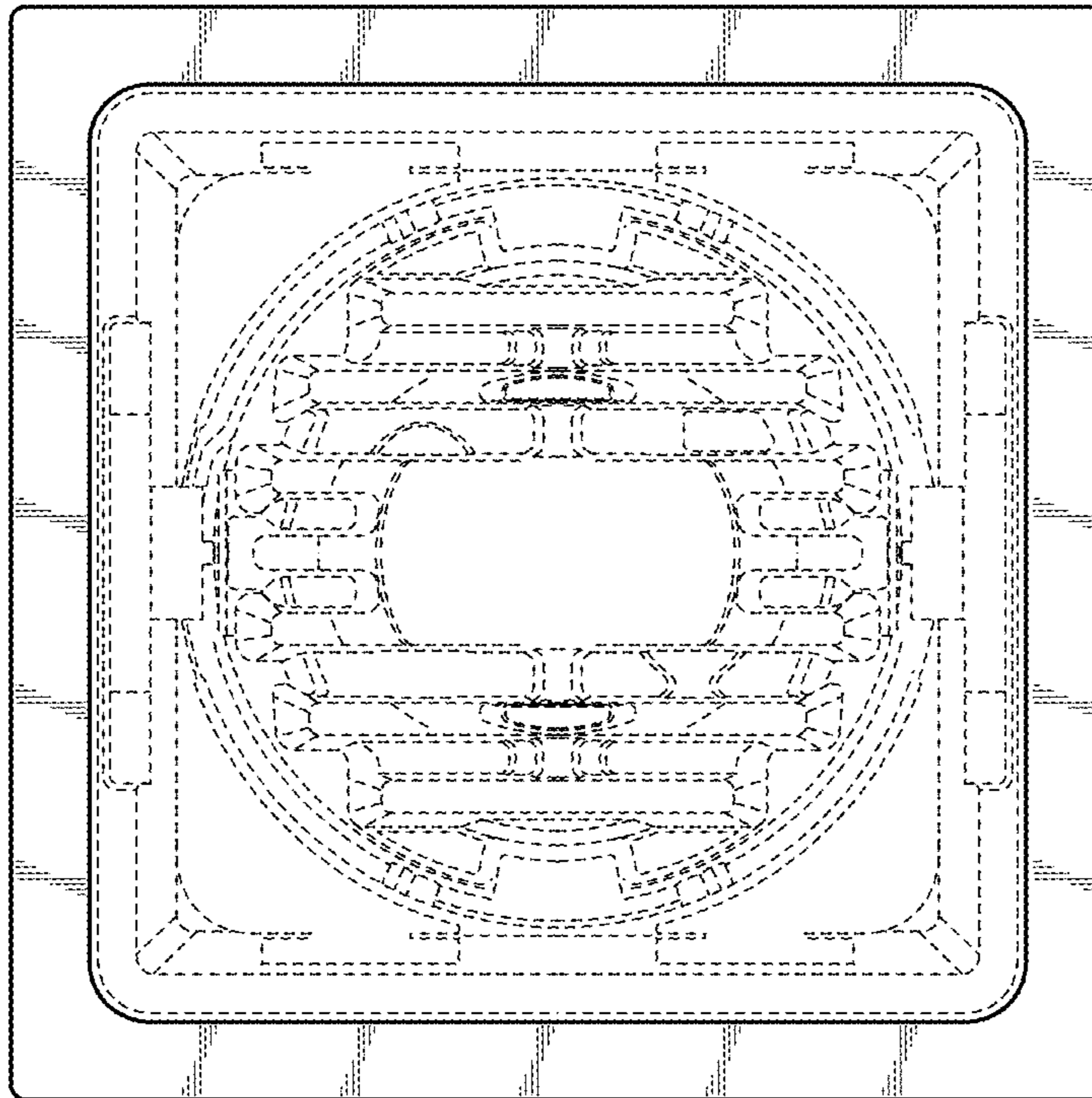


Fig. 6

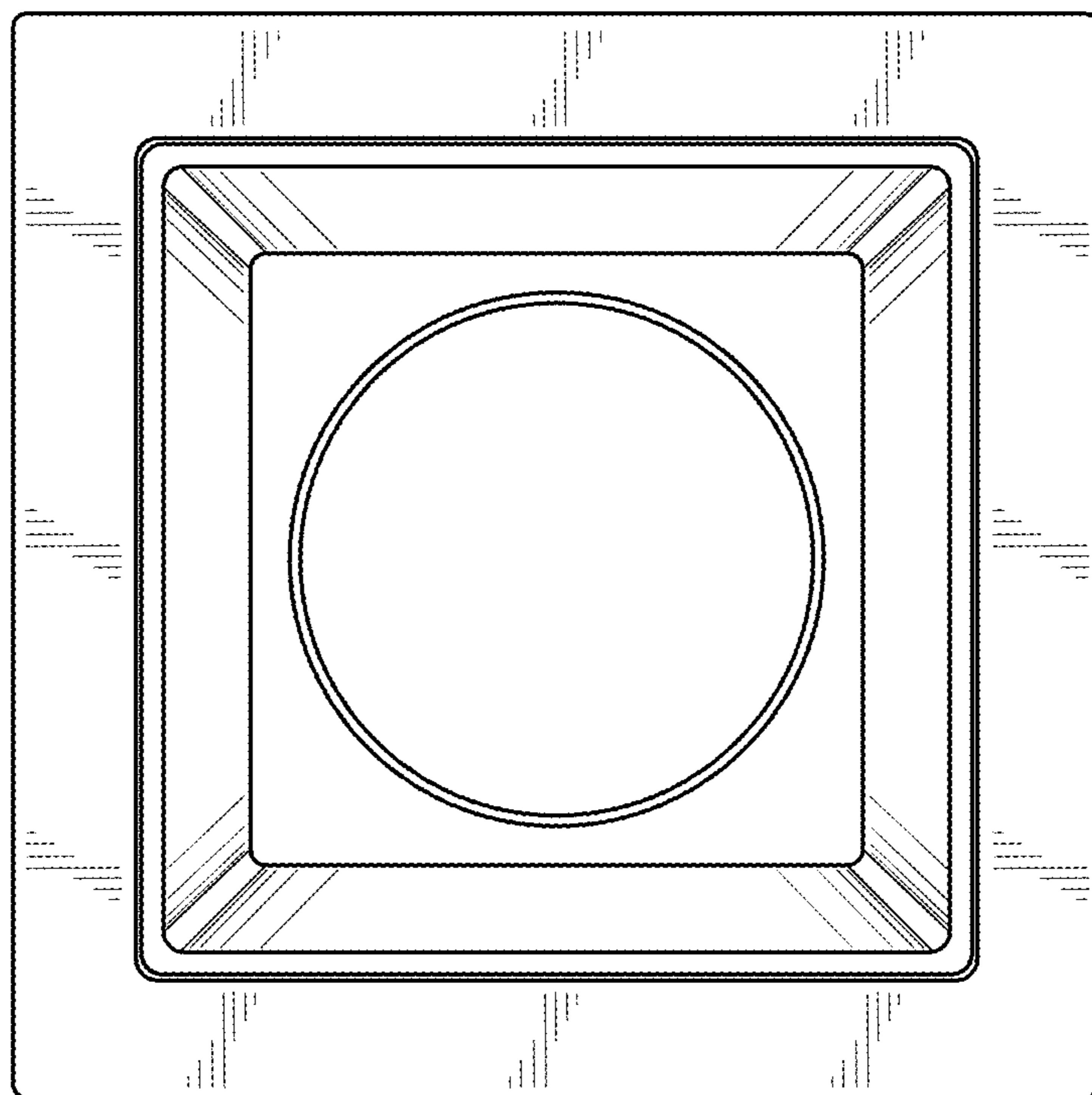


Fig. 7