



US00D789585S

(12) **United States Design Patent**  
**Ye**

(10) **Patent No.:** **US D789,585 S**

(45) **Date of Patent:** **\*\* Jun. 13, 2017**

(54) **LIGHTING FIXTURE**

(71) Applicant: **Jishuang Ye**, Shanghai (CN)

(72) Inventor: **Jishuang Ye**, Shanghai (CN)

(\*\*) Term: **15 Years**

(21) Appl. No.: **29/528,193**

(22) Filed: **May 27, 2015**

(51) **LOC (10) Cl.** ..... **26-05**

(52) **U.S. Cl.**

USPC ..... **D26/72; D26/88**

(58) **Field of Classification Search**

USPC ..... **D26/67-72, 89, 92, 118**

CPC .... **F21S 8/08; F21S 8/085; F21S 8/086; F21S 8/088; F21V 21/13**

See application file for complete search history.

(56) **References Cited**

**U.S. PATENT DOCUMENTS**

3,986,019	A *	10/1976	deVos	.....	F21S 8/04 362/367
4,099,223	A *	7/1978	de Vos	.....	A01G 9/26 362/387
4,303,971	A *	12/1981	Hogue	.....	F21V 7/09 362/297
4,704,664	A *	11/1987	McNair	.....	F21S 8/02 362/225
5,582,479	A *	12/1996	Thomas	.....	F21S 8/04 362/263
5,662,407	A *	9/1997	Fischer	.....	F21S 8/04 248/343
6,116,749	A *	9/2000	Quiogue	.....	F21S 8/04 362/147
6,390,655	B1 *	5/2002	Haugaard	.....	F21S 8/04 362/265

D727,549	S *	4/2015	Wang	.....	D26/85
D735,924	S *	8/2015	Boyer	.....	D26/89
2007/0206384	A1 *	9/2007	Compton	.....	F21S 8/04 362/326
2008/0089074	A1 *	4/2008	Kuehne	.....	F21S 8/04 362/360
2011/0075411	A1 *	3/2011	Van De Ven	.....	F21V 29/773 362/235

**FOREIGN PATENT DOCUMENTS**

CN	302437112	S	5/2013
CN	302490644	S	7/2013
CN	302553762	S	8/2013
CN	302571161	S	9/2013
CN	302580407	S	9/2013
CN	302696638	S	12/2013
CN	302737478	S	2/2014
CN	302821258	S	5/2014
CN	302968418	S	10/2014
CN	303021647	S	12/2014

\* cited by examiner

*Primary Examiner* — Clare E Heflin

(74) *Attorney, Agent, or Firm* — Rabin & Berdo, P.C.

(57) **CLAIM**

The ornamental design for a lighting fixture, as shown and described.

**DESCRIPTION**

FIG. 1 is a front view of a lighting fixture showing my new design;

FIG. 2 is a rear view thereof;

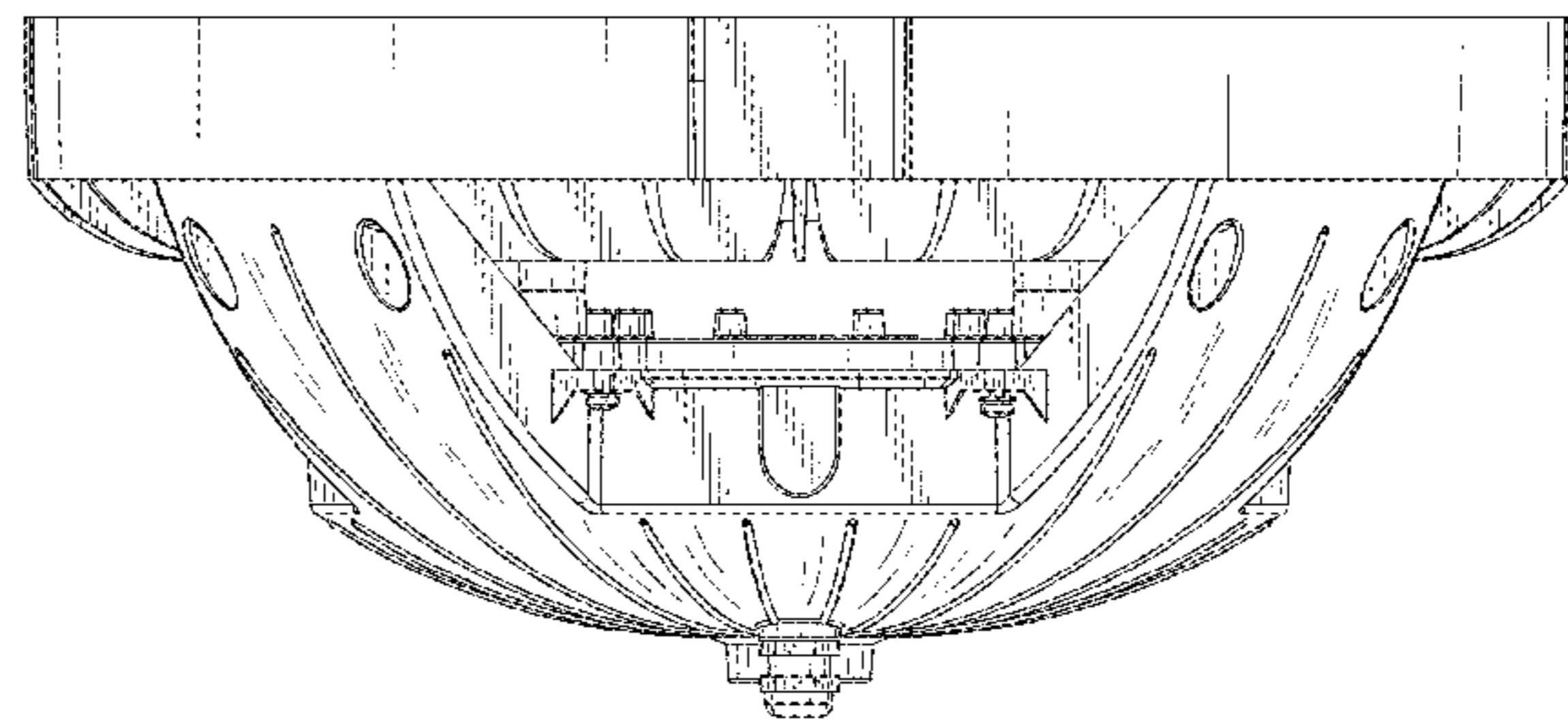
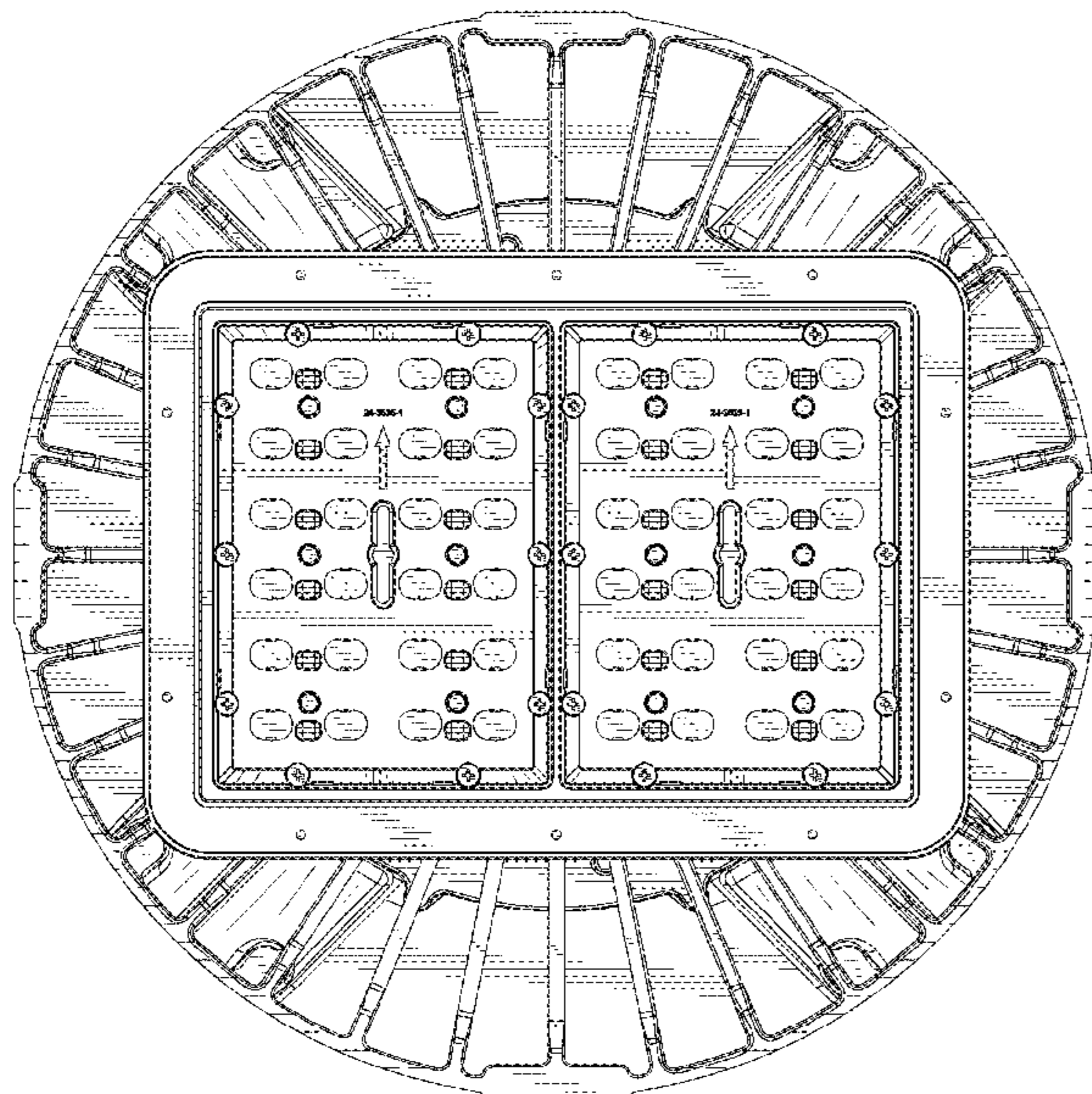
FIG. 3 is a left side view thereof;

FIG. 4 is a right side view thereof;

FIG. 5 is a top plan view thereof; and,

FIG. 6 is a bottom plan view thereof.

**1 Claim, 6 Drawing Sheets**



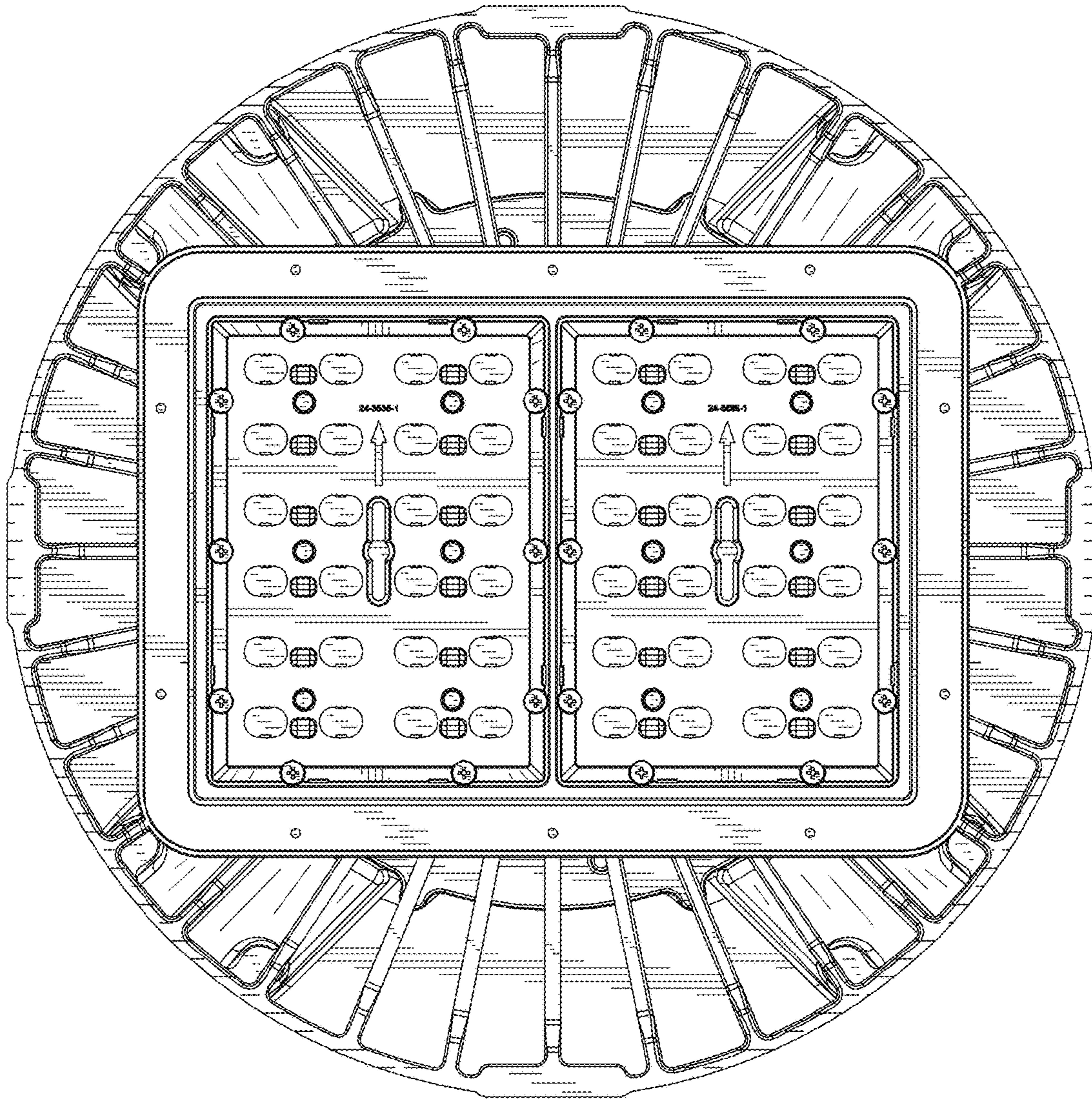


FIG. 1

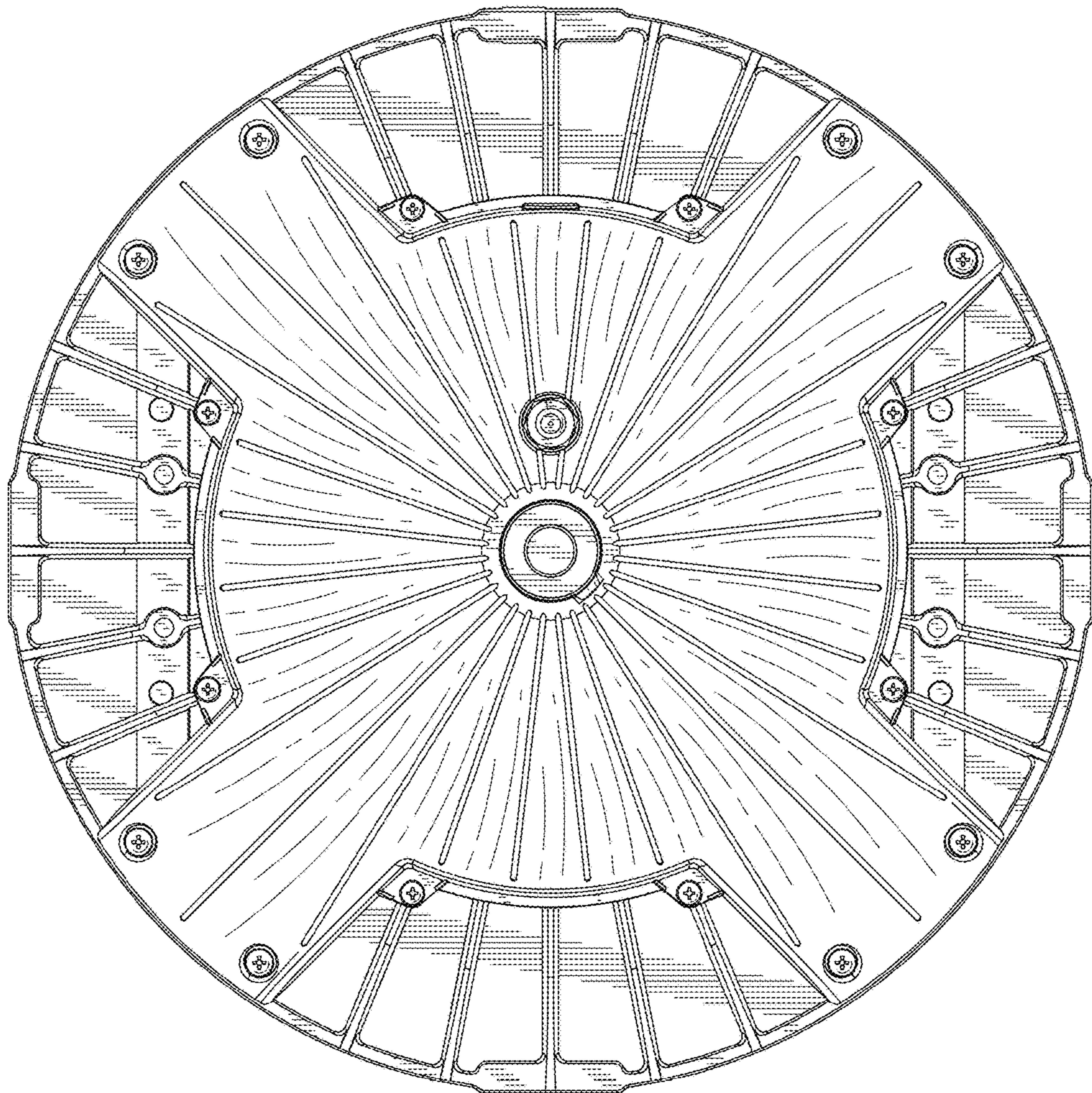


FIG. 2

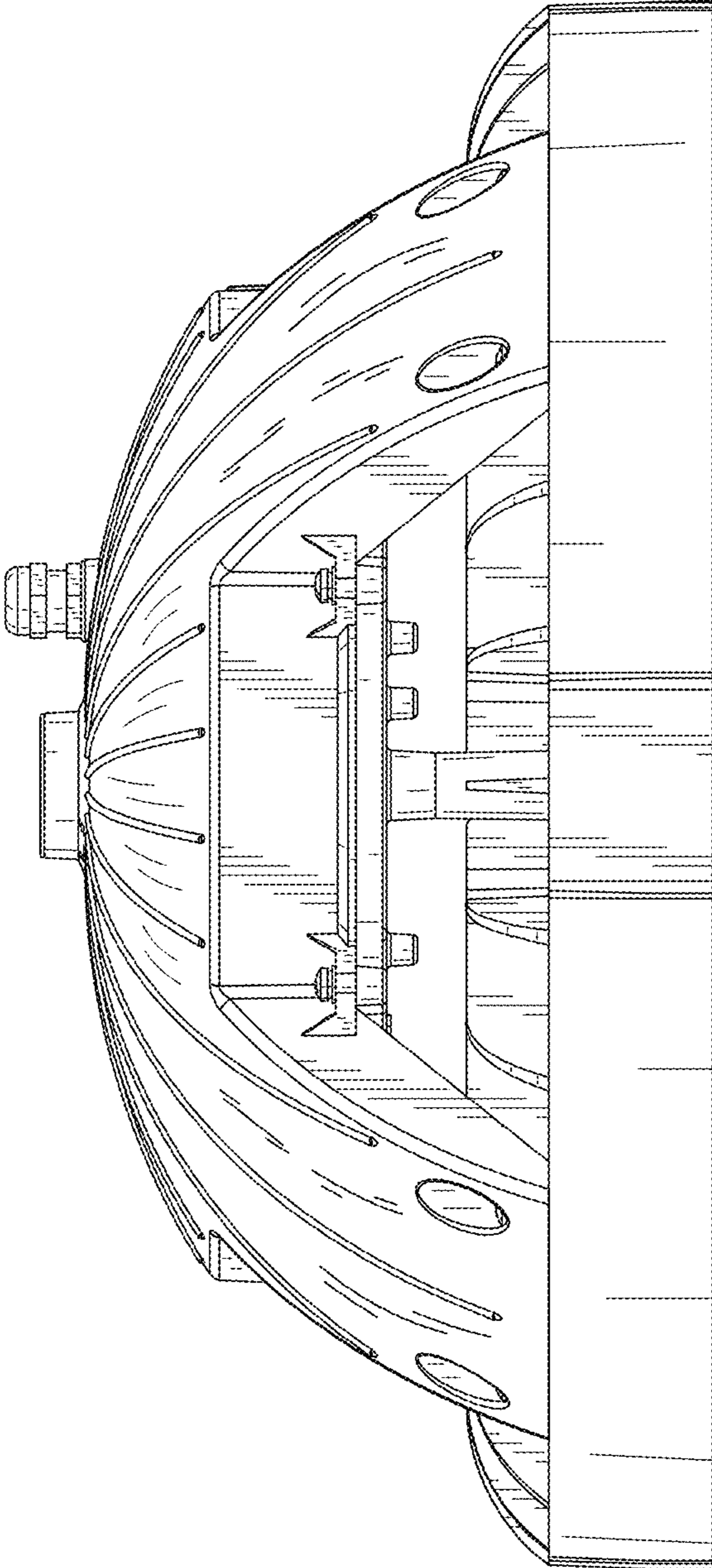


FIG. 3

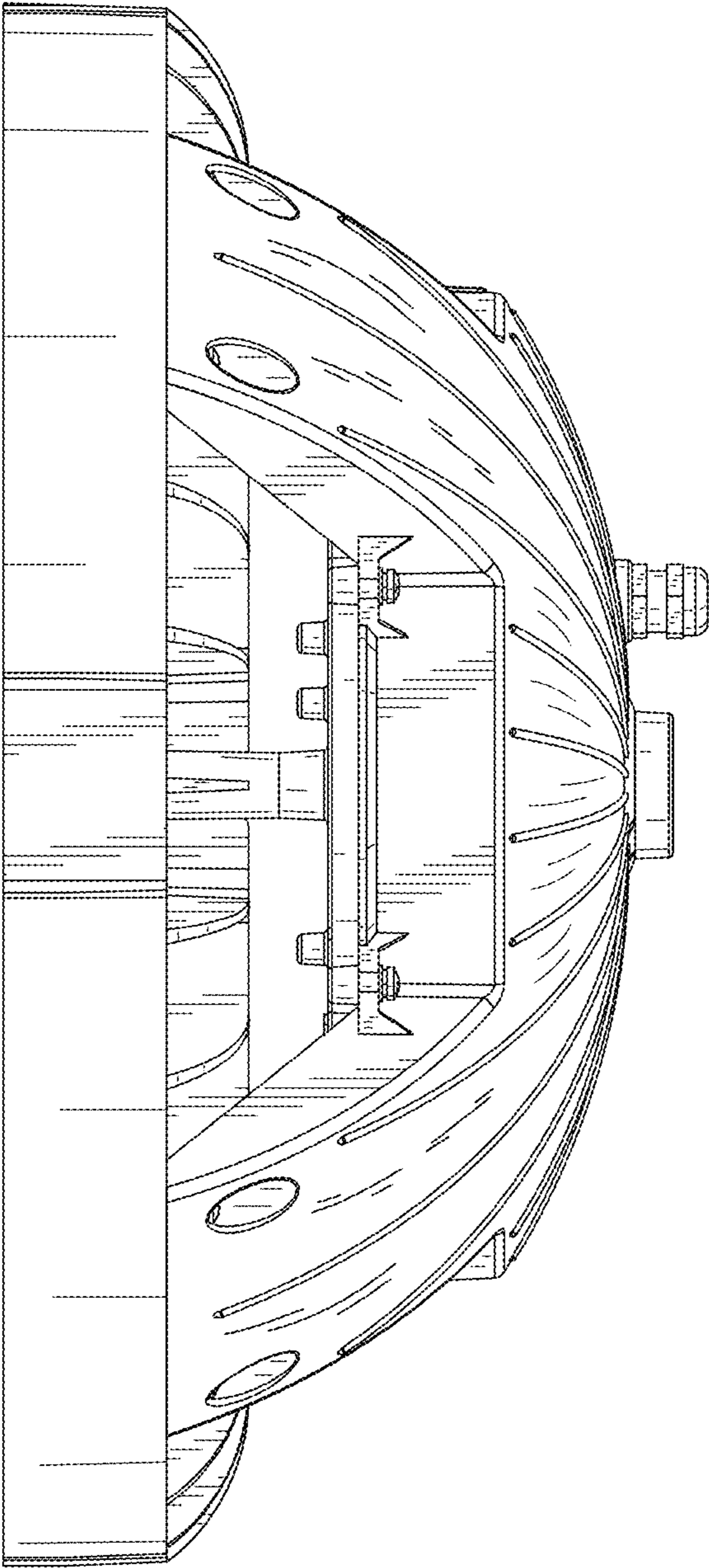


FIG. 4

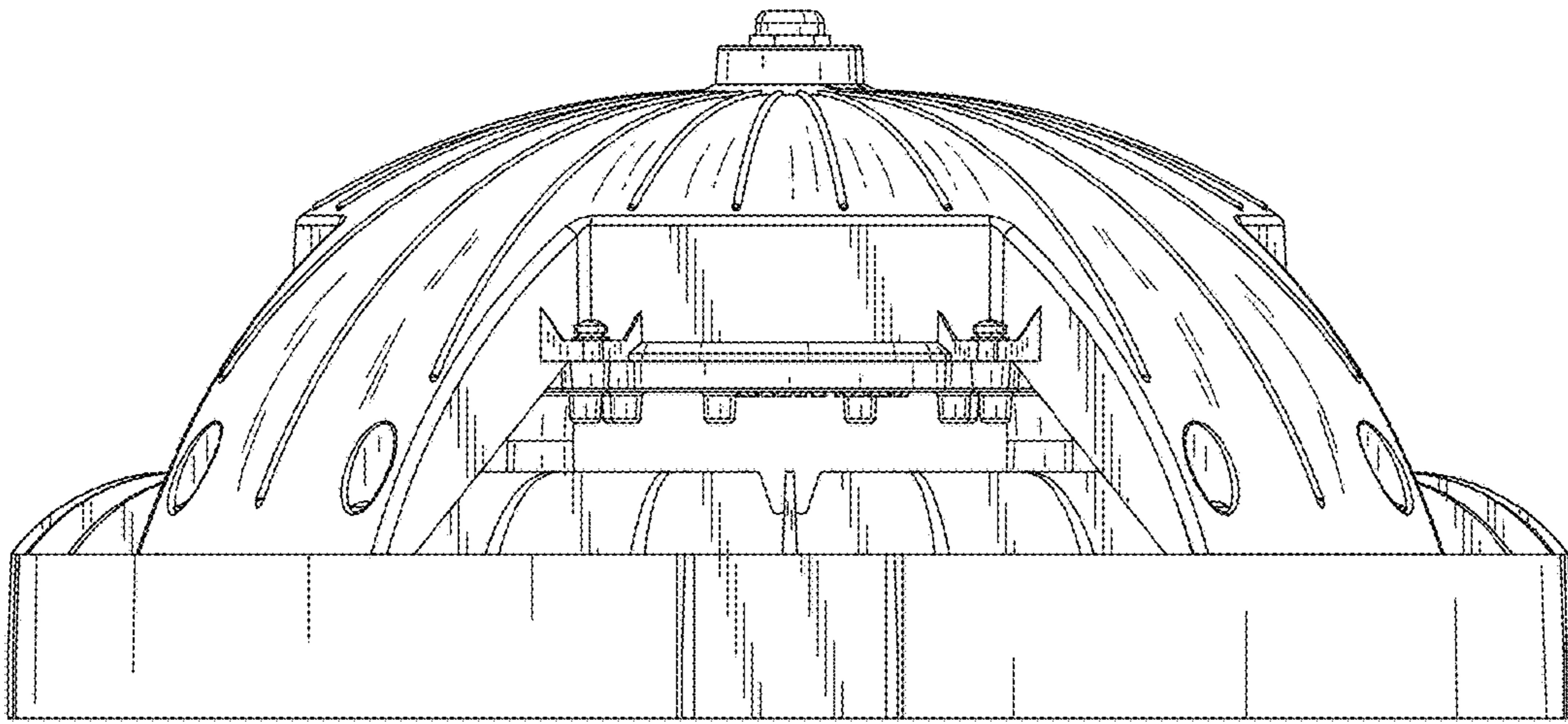


FIG. 5

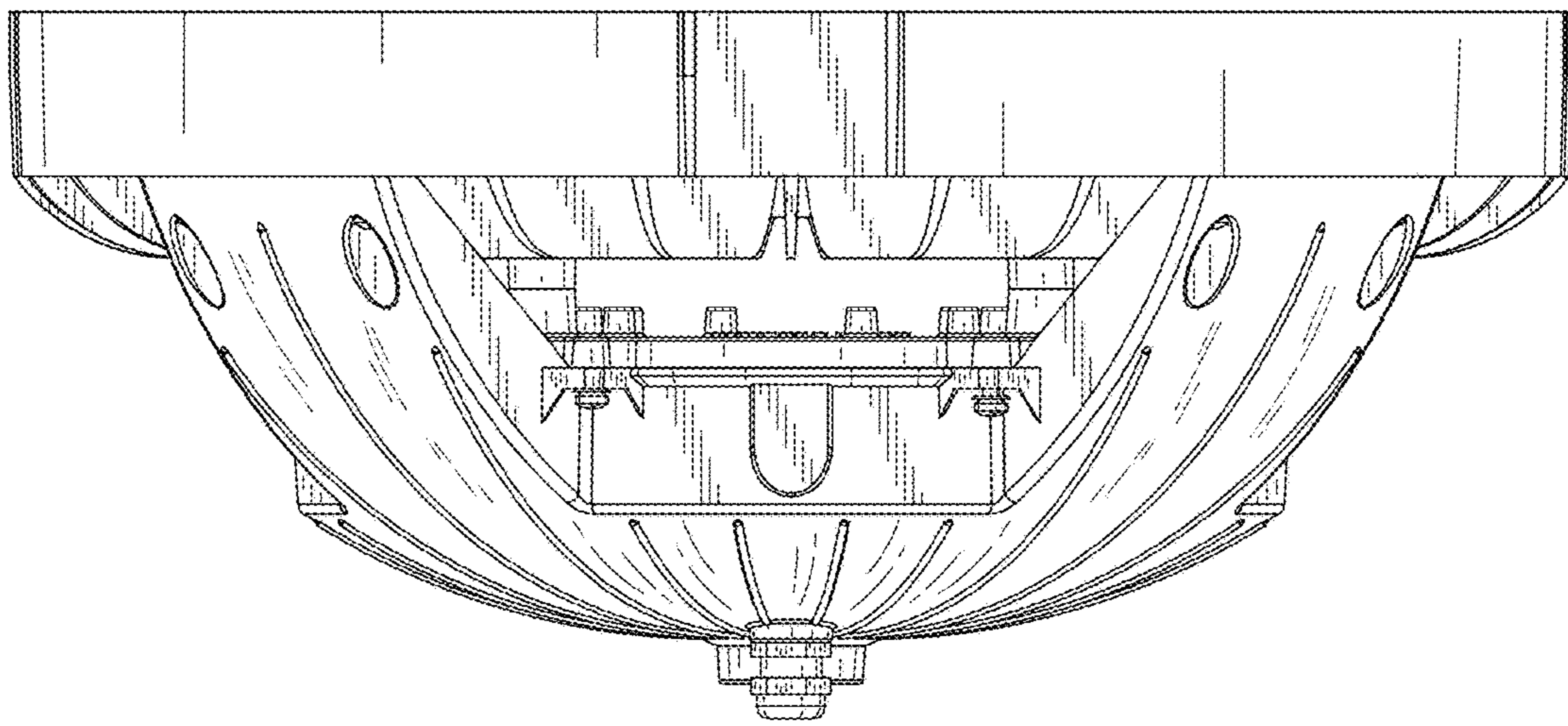


FIG. 6