



US00D789584S

(12) **United States Design Patent** (10) **Patent No.:** **US D789,584 S**  
**Peard** (45) **Date of Patent:** **\*\* Jun. 13, 2017**

(54) **LIGHT PROJECTOR**

(71) Applicant: **AYRTON**, Longjumeau (FR)  
(72) Inventor: **Yvan Peard**, Longjumeau (FR)  
(73) Assignee: **AYRTON**, Longjumeau (FR)

(\*\*) Term: **15 Years**

(21) Appl. No.: **29/541,338**

(22) Filed: **Oct. 2, 2015**

(30) **Foreign Application Priority Data**

Apr. 10, 2015 (EM) ..... 002679266-0002

(51) **LOC (10) Cl.** ..... **26-03**

(52) **U.S. Cl.**  
USPC ..... **D26/61**

(58) **Field of Classification Search**  
USPC ..... D26/1, 24, 61, 63, 65  
CPC ..... F21V 21/14; F21V 15/01; F21V 14/02;  
F21V 21/30; F21V 14/00; F21V 19/04;  
F21S 8/00; F21Y 2105/001

See application file for complete search history.

(56) **References Cited**

U.S. PATENT DOCUMENTS

D392,406 S \* 3/1998 Morrow ..... D26/65  
D443,093 S \* 5/2001 Chiang ..... D26/65  
D546,997 S \* 7/2007 Monroe ..... D26/65

\* cited by examiner

*Primary Examiner* — Brian N Vinson

(74) *Attorney, Agent, or Firm* — Wenderoth, Lind & Ponack, L.L.P.

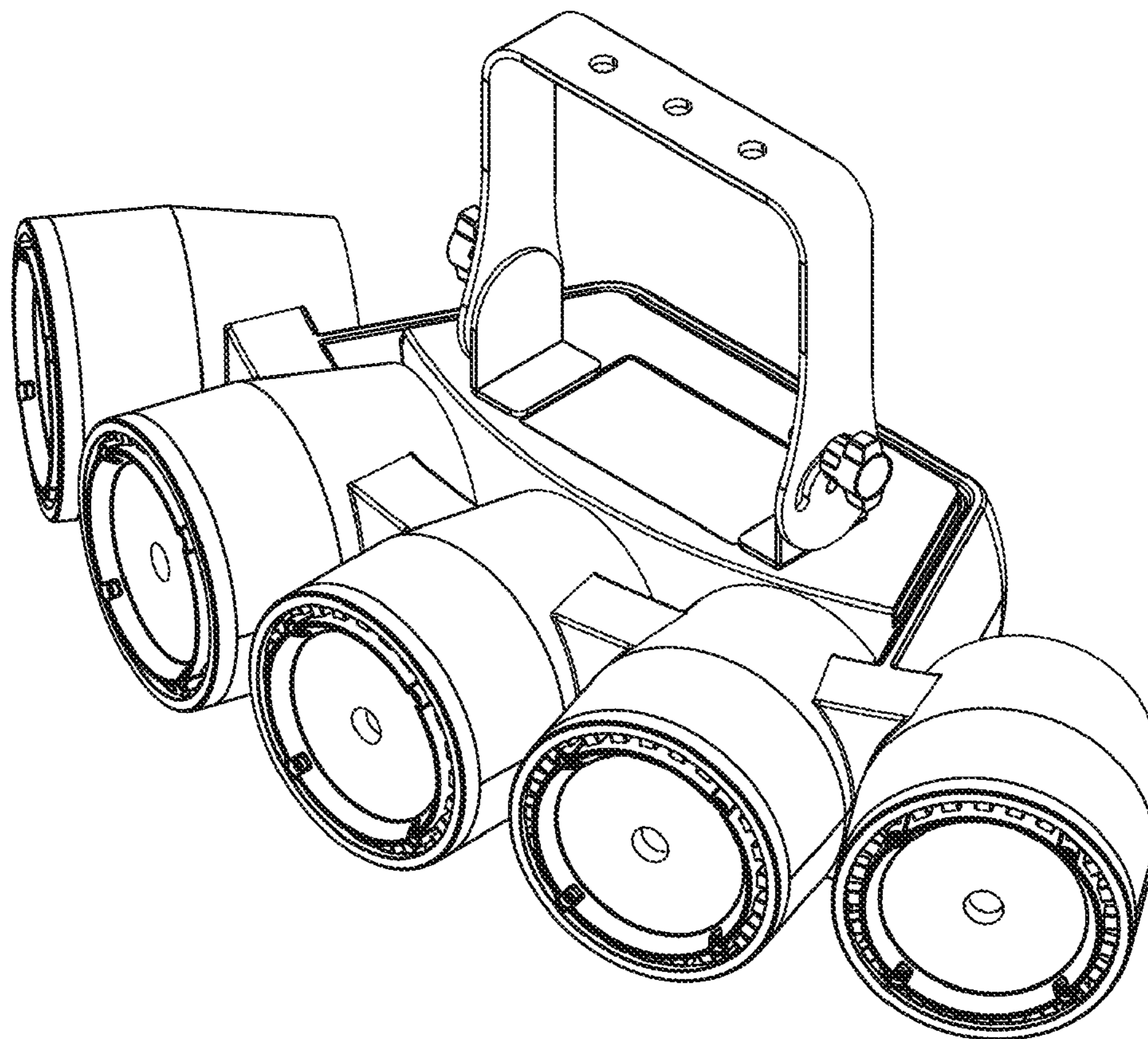
(57) **CLAIM**

The ornamental design for a light projector, as shown.

**DESCRIPTION**

FIG. 1 is the front view of the light projector showing my new design;  
FIG. 2 is the back view of the design;  
FIG. 3 is the bottom view thereof;  
FIG. 4 is the top view of the design;  
FIG. 5 is the Isometric view of the design;  
FIG. 6 is the left view; and,  
FIG. 7 is the right view.

**1 Claim, 7 Drawing Sheets**



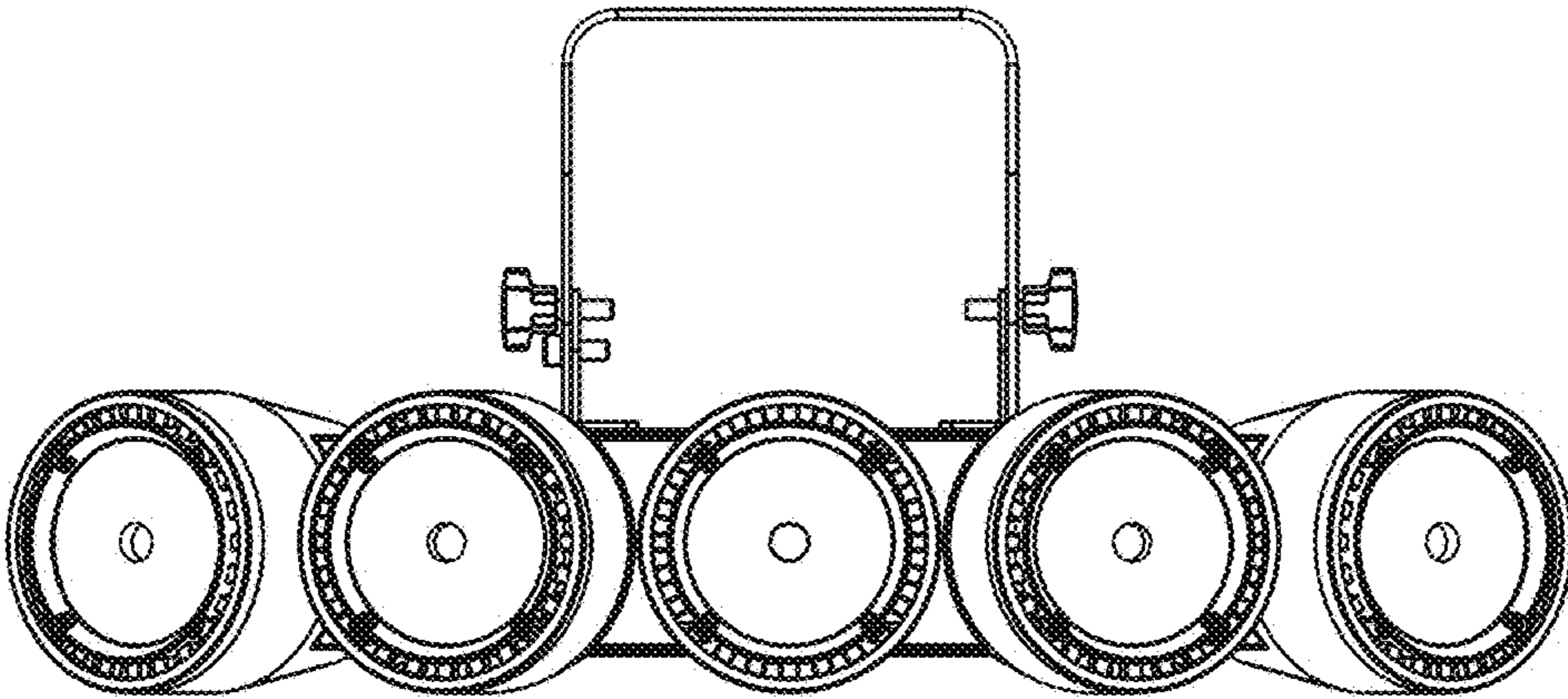


Fig. 1

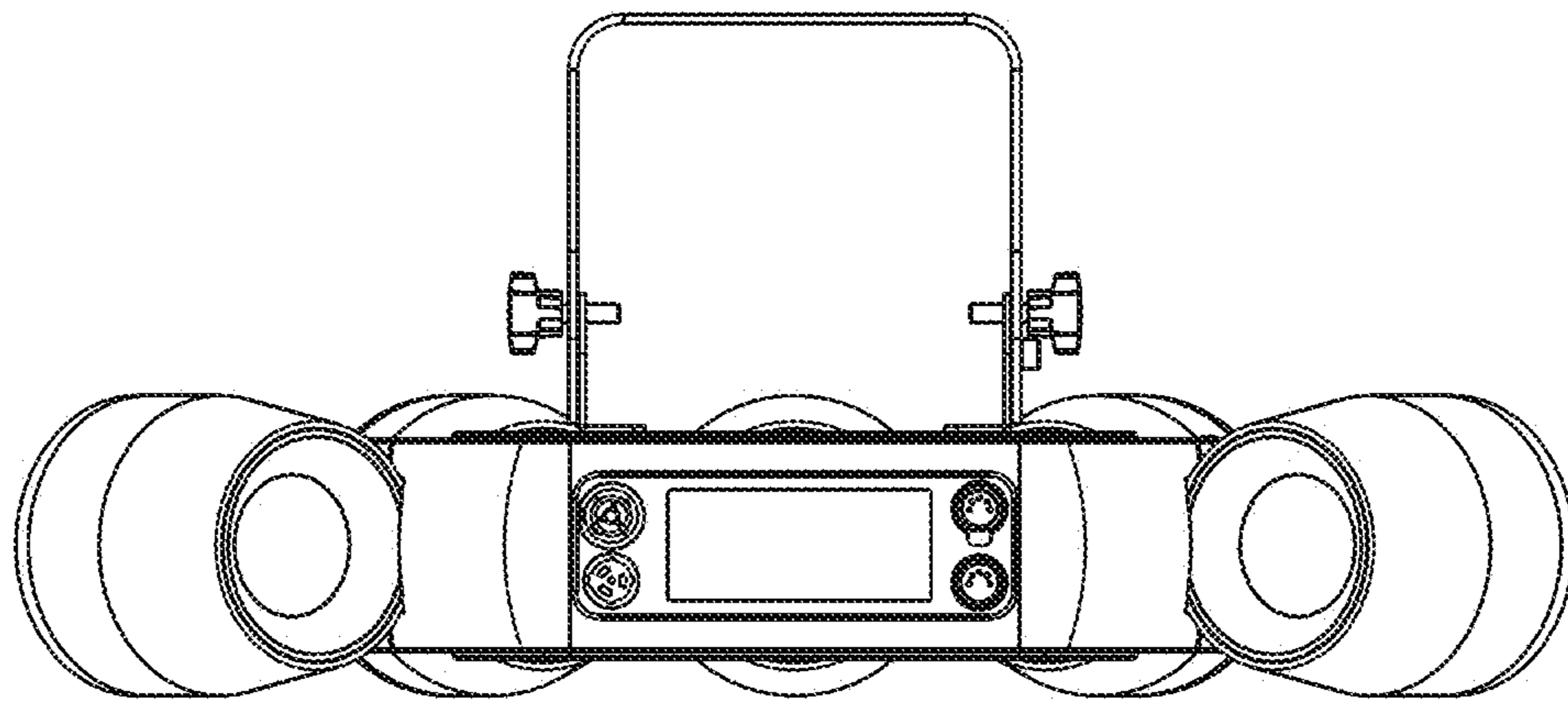


Fig. 2

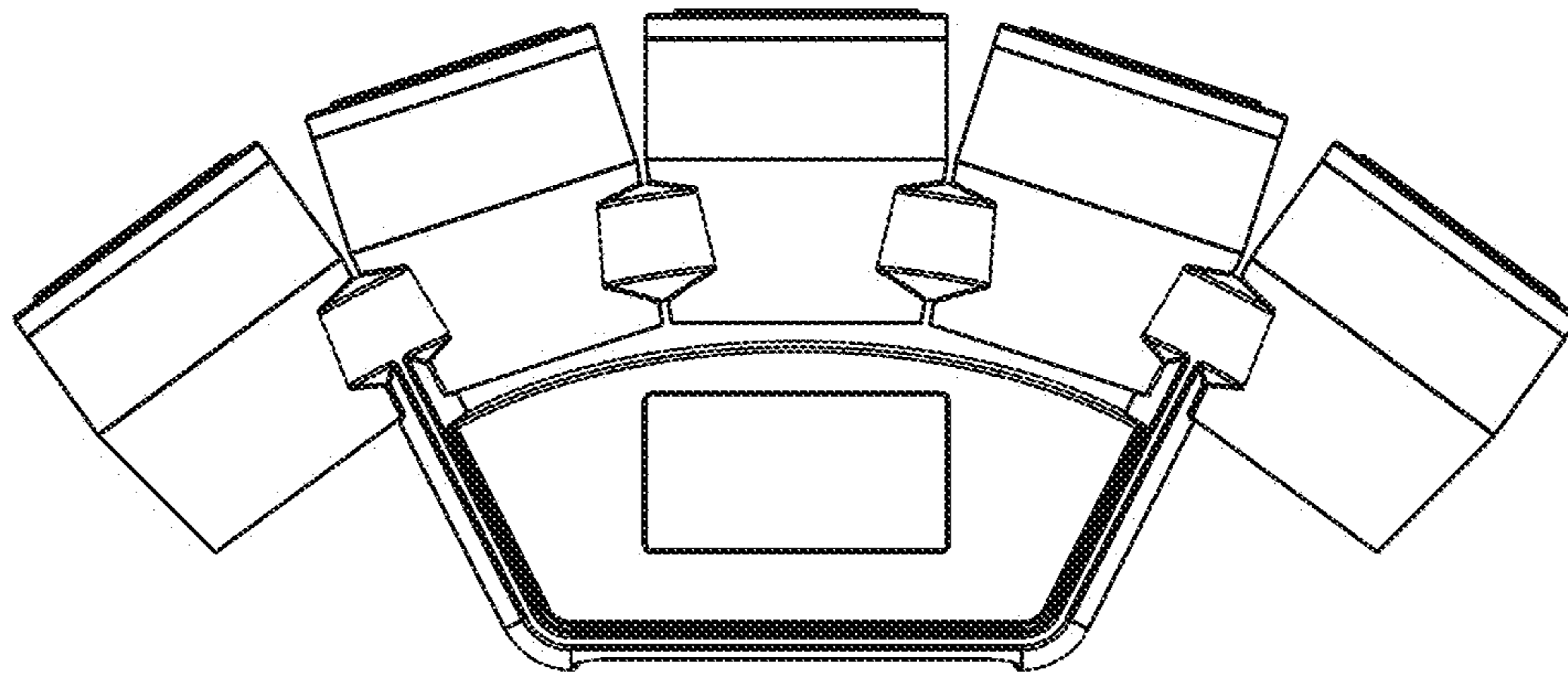


Fig. 3

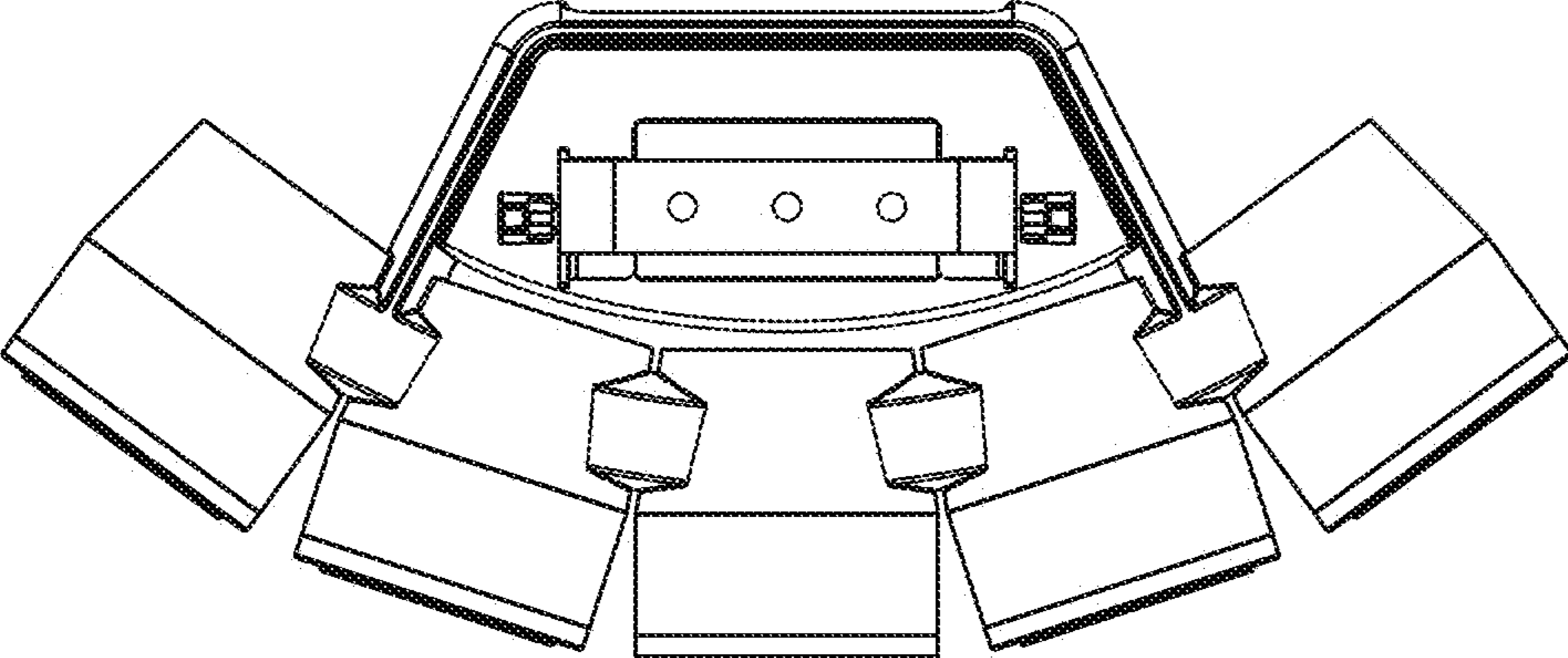


Fig. 4

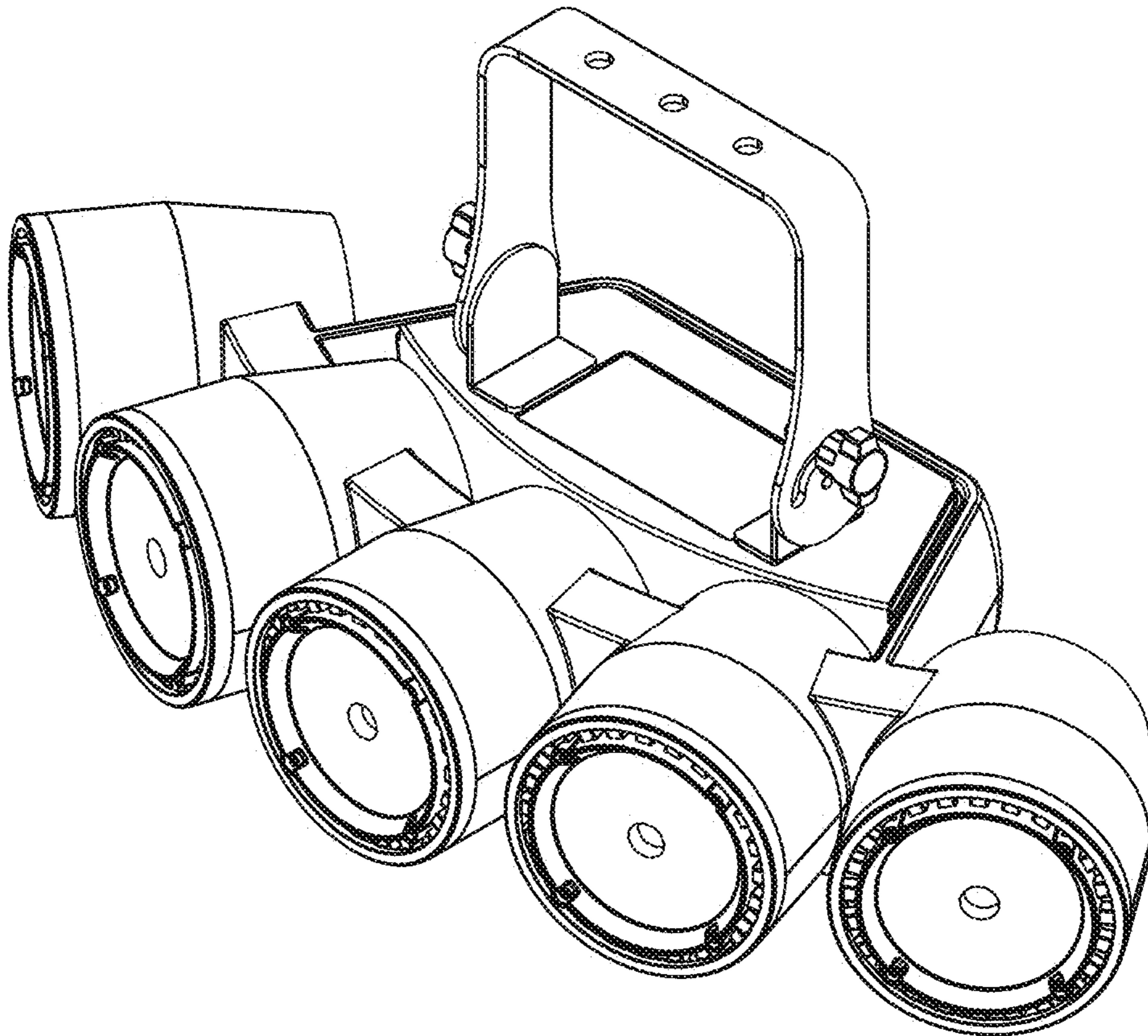


Fig. 5

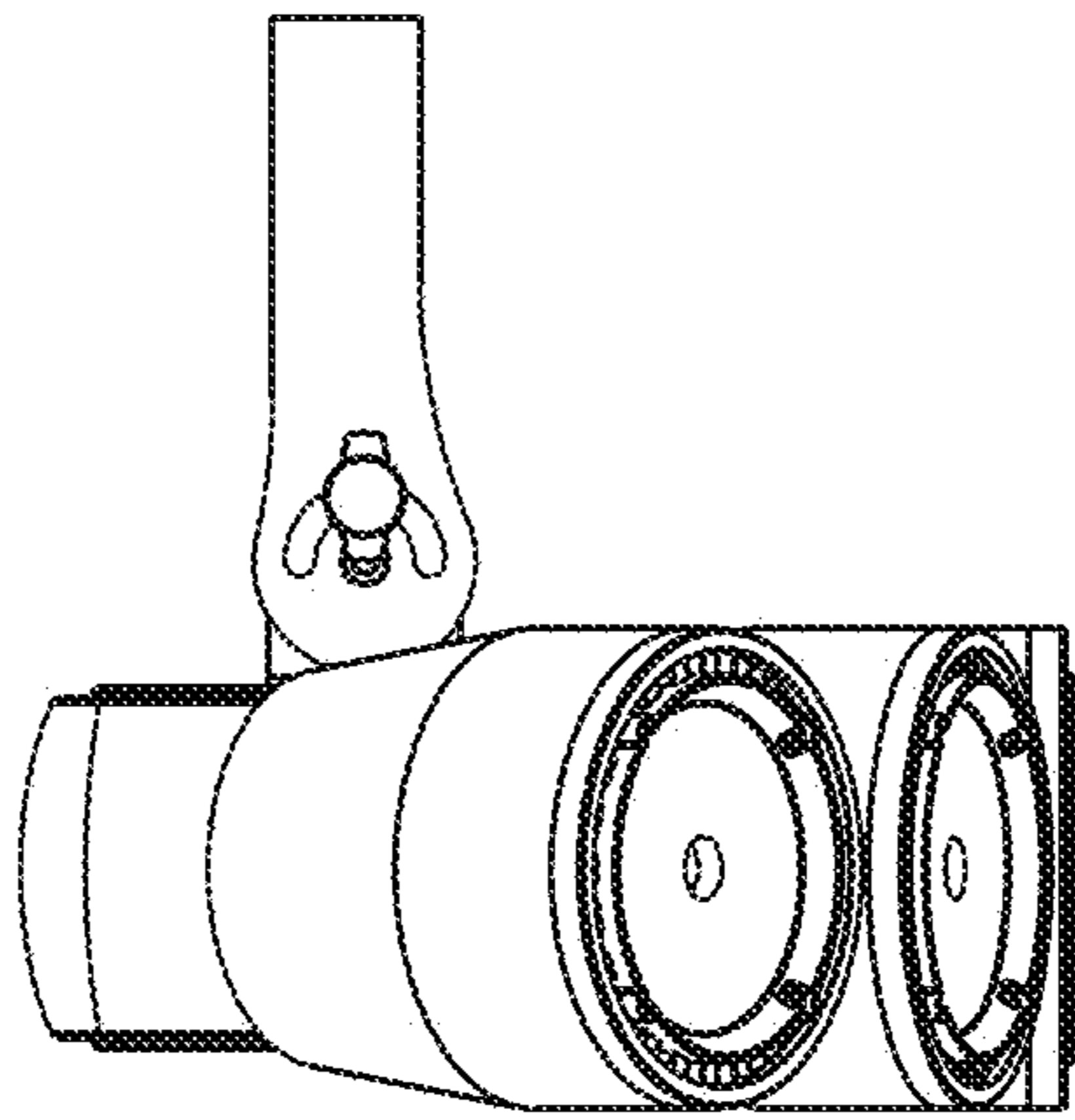


Fig. 6

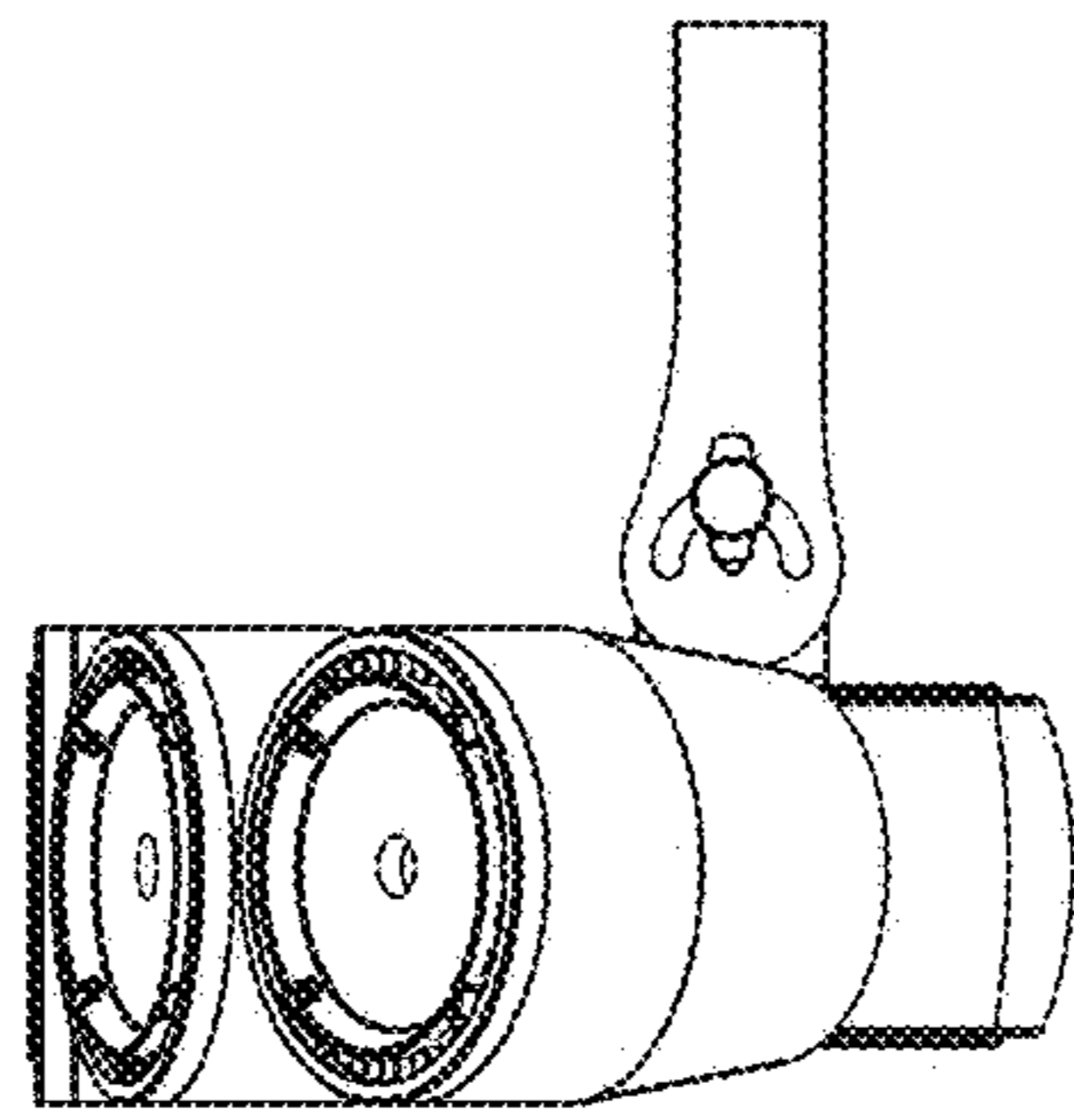


Fig. 7