



US00D789583S

(12) **United States Design Patent**
Peard

(10) **Patent No.:** **US D789,583 S**

(45) **Date of Patent:** **** Jun. 13, 2017**

(54) **LIGHT PROJECTOR**

(71) Applicant: **AYRTON**, Longjumeau (FR)

(72) Inventor: **Yvan Peard**, Longjumeau (FR)

(73) Assignee: **AYRTON**, Longjumeau (FR)

(**) Term: **15 Years**

(21) Appl. No.: **29/541,331**

(22) Filed: **Oct. 2, 2015**

(30) **Foreign Application Priority Data**

Apr. 3, 2015 (EM) 002675587-0001

(51) **LOC (10) Cl.** **26-03**

(52) **U.S. Cl.**
USPC **D26/61**

(58) **Field of Classification Search**
USPC D26/1, 24, 61, 63, 65
CPC F21V 21/14; F21V 15/01; F21V 14/02;
F21V 21/30; F21V 14/00; F21S 8/00;
F21Y 2105/001
See application file for complete search history.

(56) **References Cited**

U.S. PATENT DOCUMENTS

D324,431 S * 3/1992 Richardson D26/63
D382,661 S * 8/1997 Wong D26/63

D500,379 S * 12/2004 Kunzler D26/63
D607,595 S * 1/2010 Copeland D26/61
D694,927 S * 12/2013 Toft D26/63
D700,385 S * 2/2014 Quadri D26/63
D702,386 S * 4/2014 Valeri D26/63
D711,561 S * 8/2014 Redpath D26/24
D735,386 S * 7/2015 Lin D26/63

* cited by examiner

Primary Examiner — Brian N Vinson

(74) *Attorney, Agent, or Firm* — Wenderoth, Lind & Ponack, L.L.P.

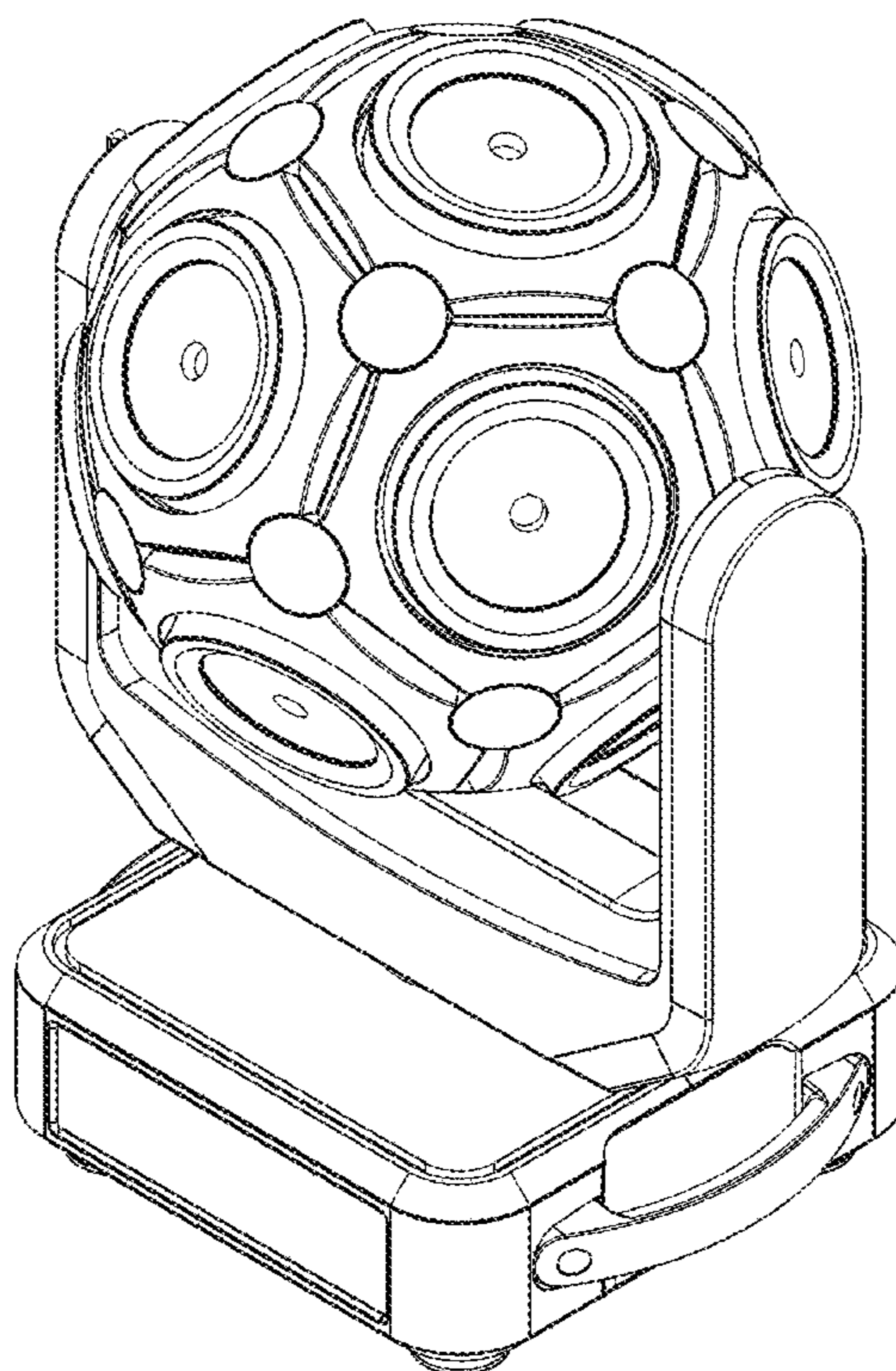
(57) **CLAIM**

The ornamental design for a light projector, as shown.

DESCRIPTION

FIG. 1 is the back view of the light projector showing my new design;
FIG. 2 is the bottom view of the design;
FIG. 3 is the front view thereof;
FIG. 4 is the Isometric view of the design;
FIG. 5 is the left view of the design;
FIG. 6 is the right view; and,
FIG. 7 is the top view.

1 Claim, 7 Drawing Sheets



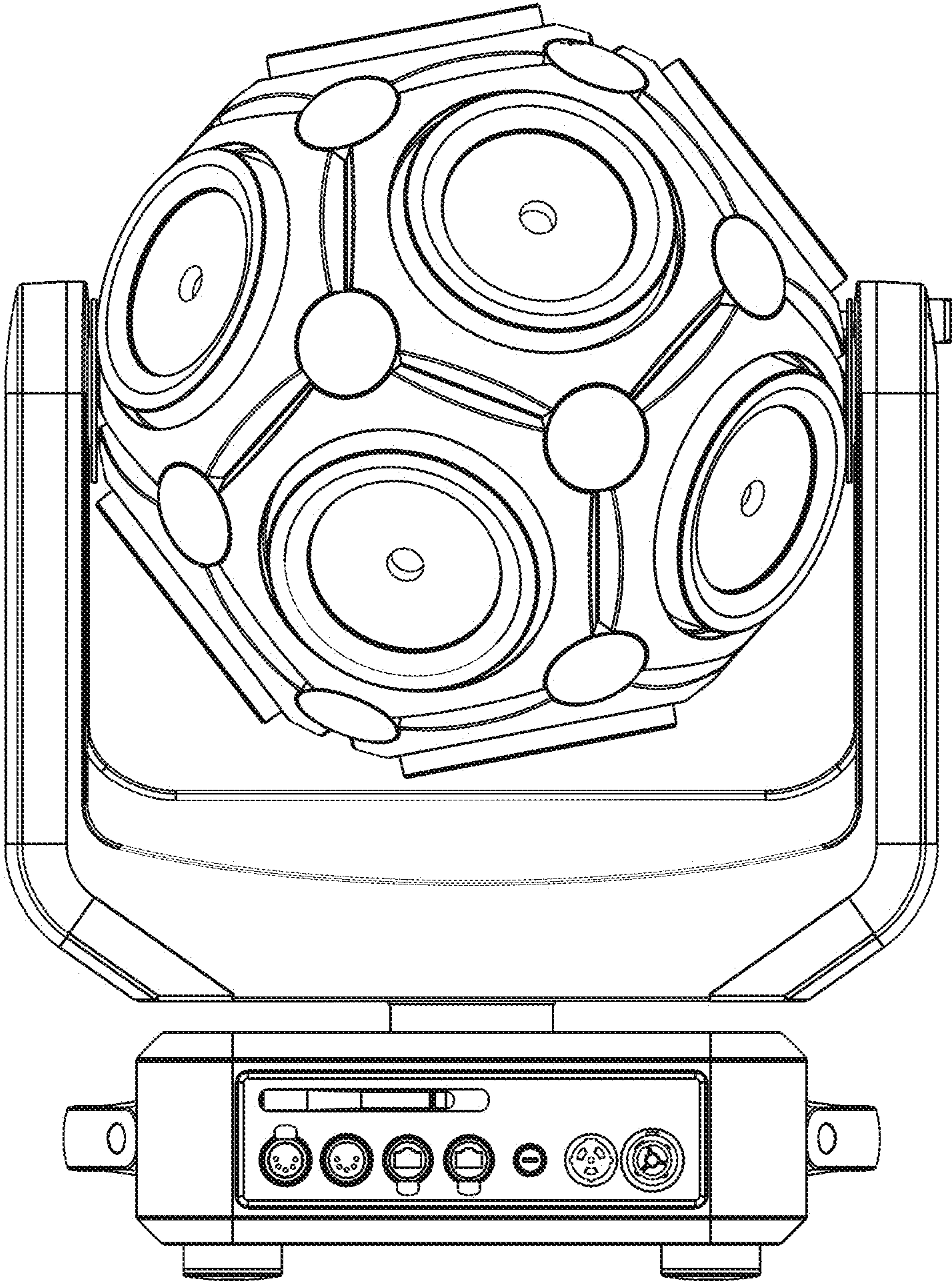


Fig. 1

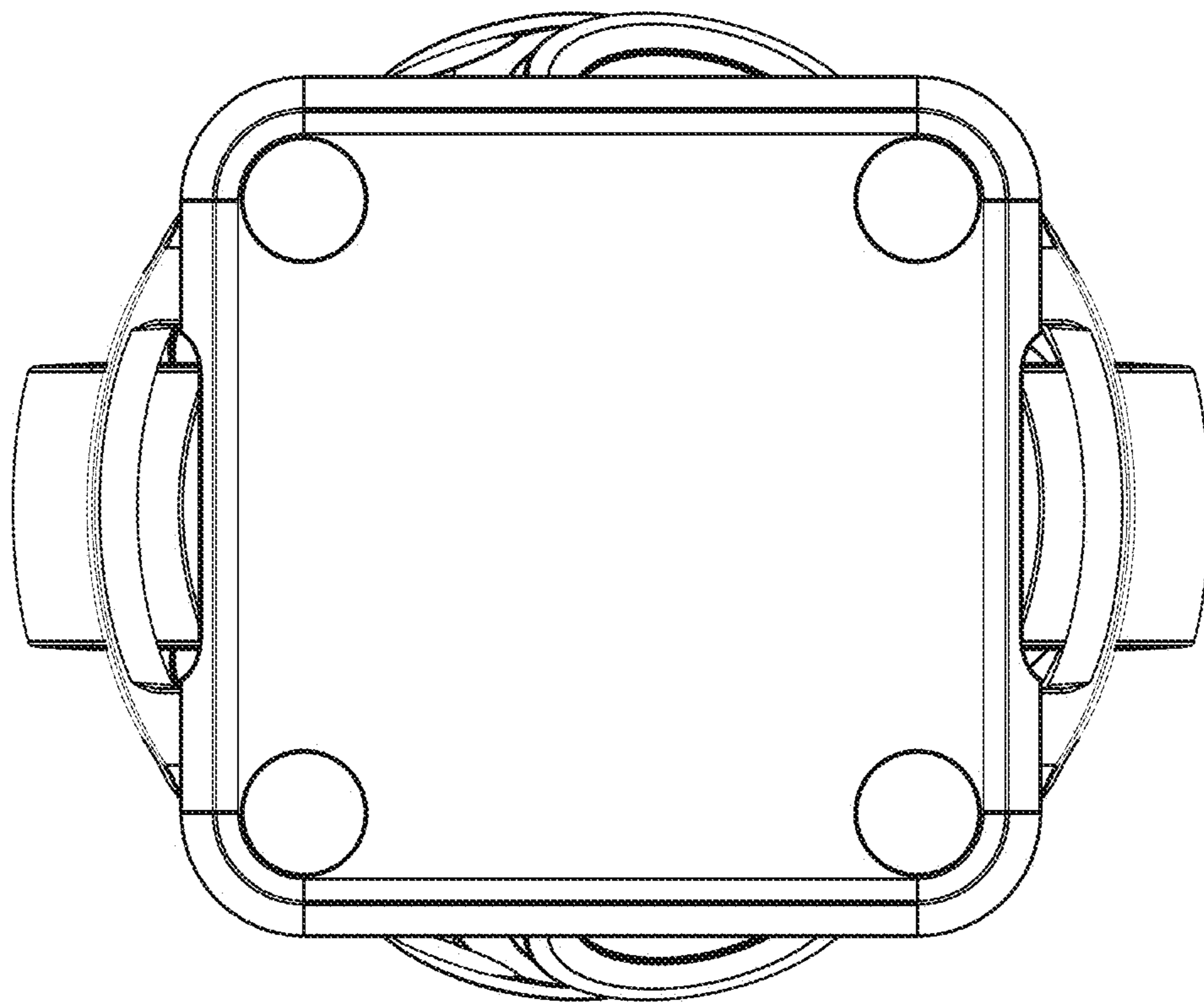


Fig. 2

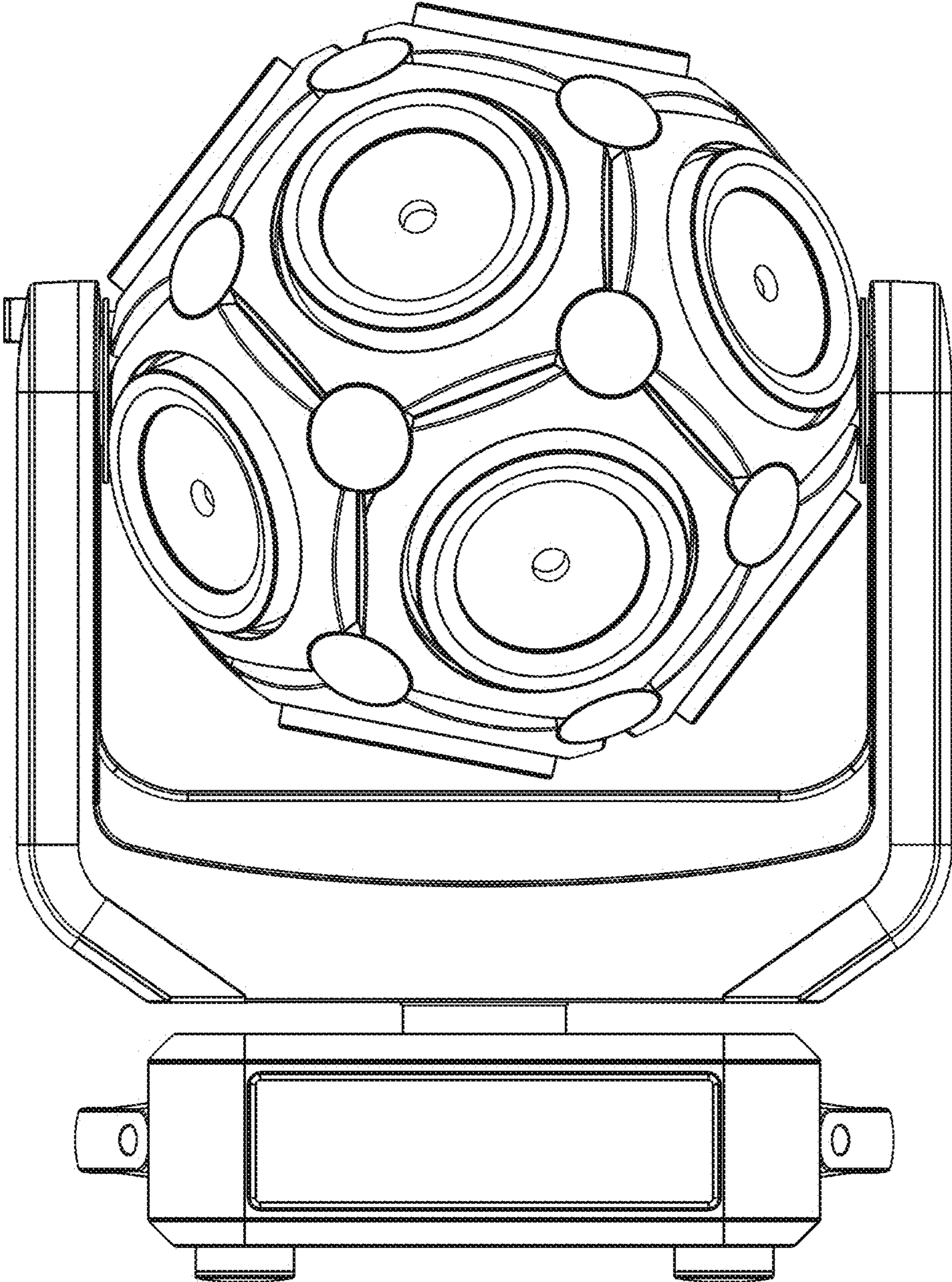


Fig. 3

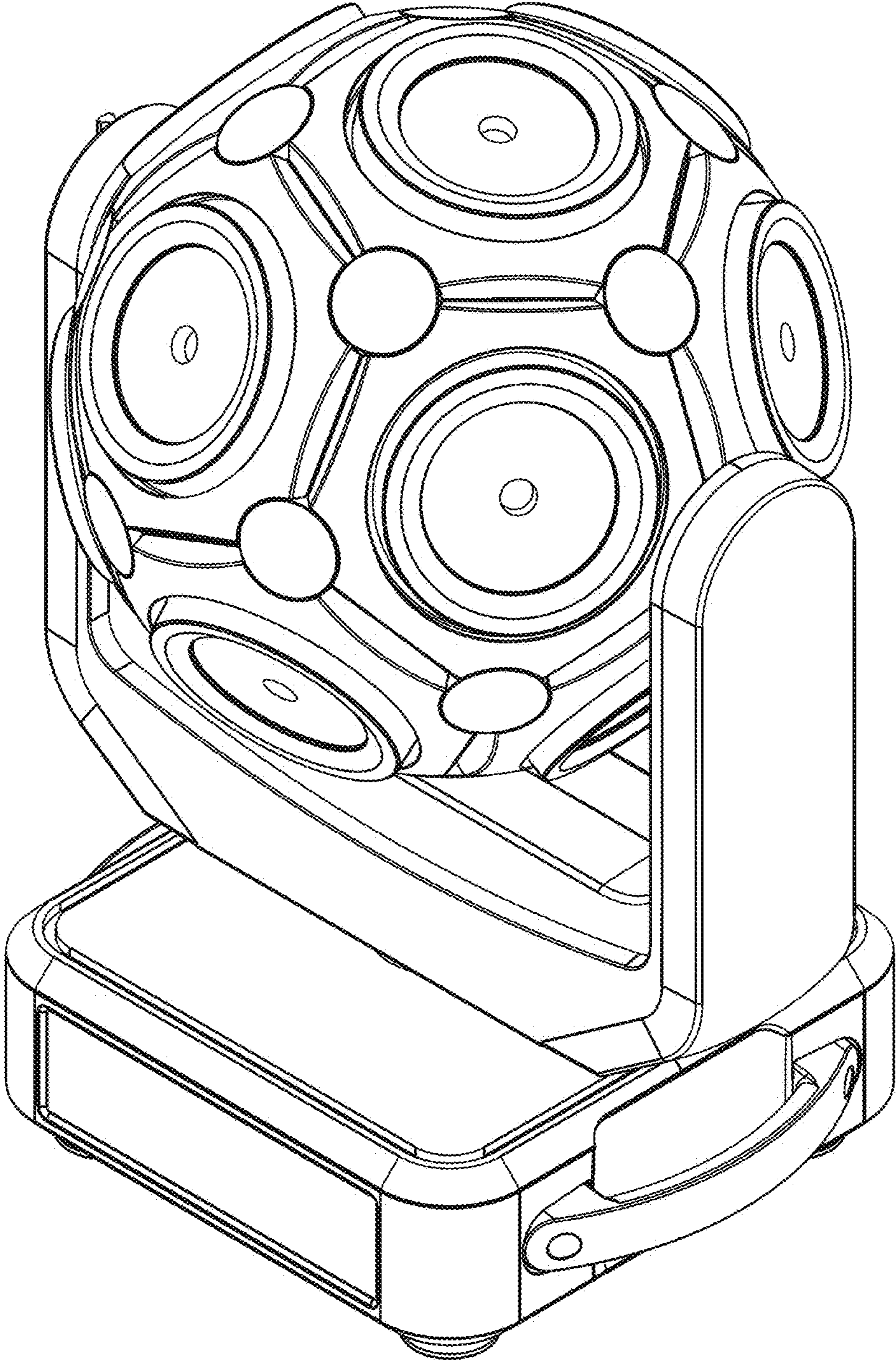


Fig. 4

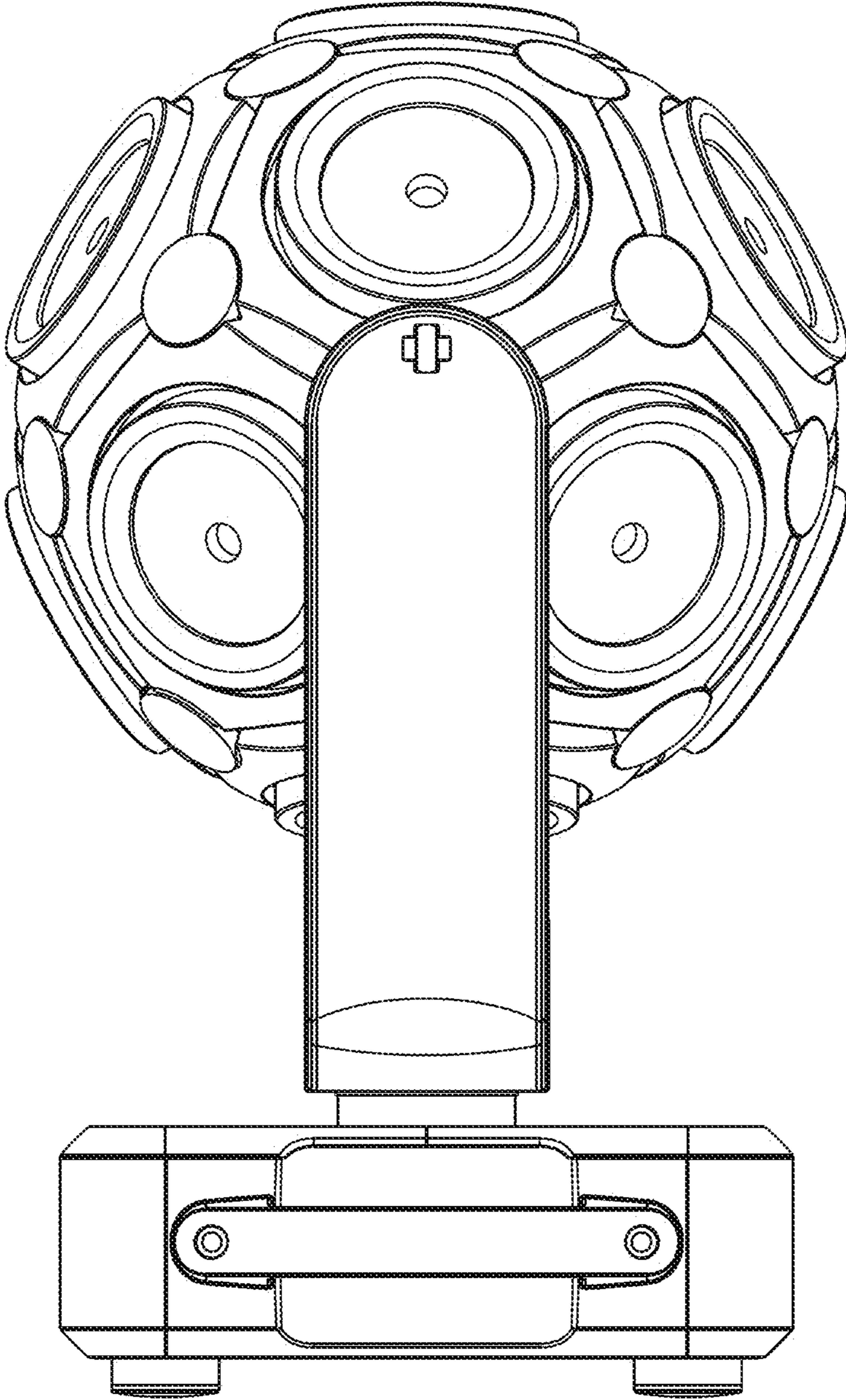


Fig. 5

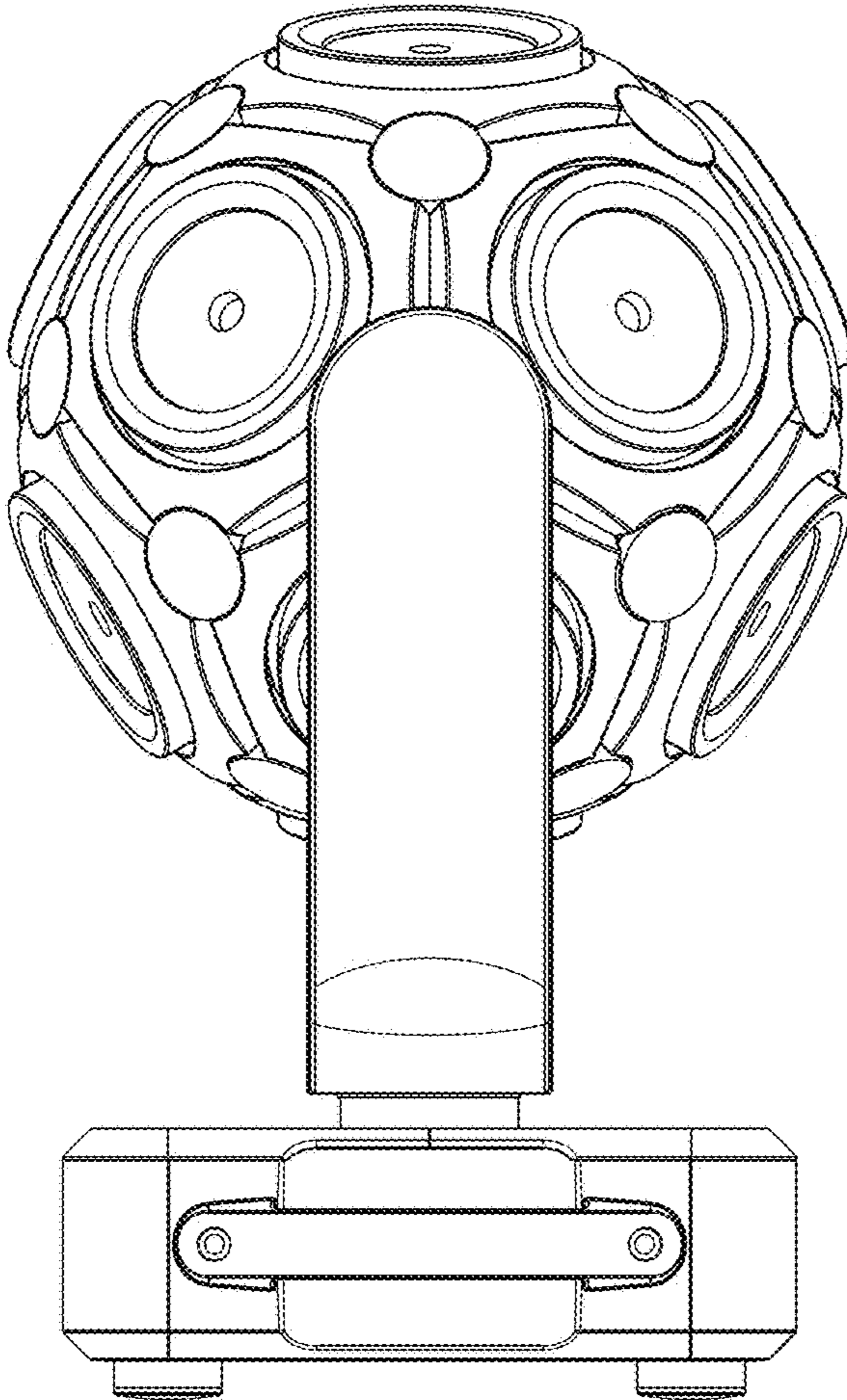


Fig. 6

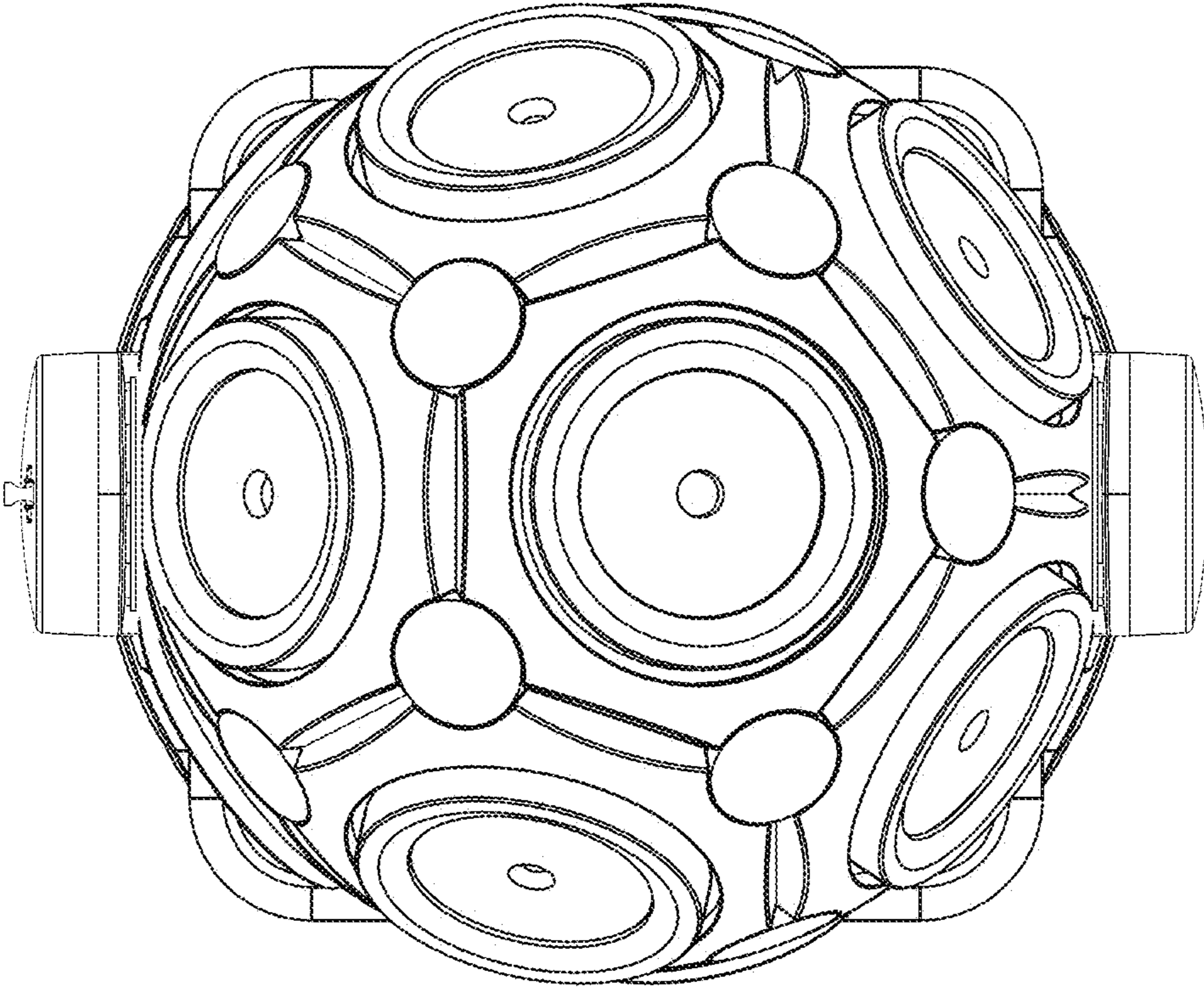


Fig. 7