



US00D789580S

(12) **United States Design Patent**
Schneider

(10) **Patent No.:** **US D789,580 S**

(45) **Date of Patent:** **** Jun. 13, 2017**

- (54) **TAILLIGHT FOR A VEHICLE**
- (71) Applicant: **Bayerische Motoren Werke Aktiengesellschaft, Munich (DE)**
- (72) Inventor: **Alexander Schneider, Munich (DE)**
- (73) Assignee: **Bayerische Motoren Werke Aktiengesellschaft, Munich (DE)**

D486,928 S	2/2004	Li	
D540,714 S	4/2007	Mueller-Stolz	
D549,366 S	8/2007	Hovind et al.	
7,775,698 B2	8/2010	Shoji et al.	
D642,711 S	8/2011	Schneider	
D654,197 S	2/2012	Szews et al.	
D750,819 S	3/2016	Schneider	
D756,001 S	5/2016	Schneider	
D765,293 S *	8/2016	Schneider	D26/28
D770,066 S *	10/2016	Schneider	D26/28

- (**) Term: **15 Years**
- (21) Appl. No.: **29/569,903**
- (22) Filed: **Jul. 1, 2016**

FOREIGN PATENT DOCUMENTS

WO	DM/072780	6/2010
WO	DM/074972	6/2011
WO	DM/082080	5/2014

* cited by examiner

Related U.S. Application Data

- (62) Division of application No. 29/497,497, filed on Jul. 25, 2014, now Pat. No. Des. 770,066.

Primary Examiner — Lakiya Rogers
Assistant Examiner — Harold E Blackwell, II
 (74) *Attorney, Agent, or Firm* — Crowell & Moring LLP

(30) **Foreign Application Priority Data**

Jan. 28, 2014 (DE) 40 2014 100 065

- (51) **LOC (10) Cl.** **26-06**
- (52) **U.S. Cl.**
USPC **D26/28**

(57) **CLAIM**

The ornamental design for a taillight for a vehicle, as shown and described.

(58) **Field of Classification Search**

USPC D26/28-36; 362/459-476, 485-487,
 362/543-549; D12/163, 170, 171
 CPC F21S 48/00; F21S 8/10; F21S 48/10; F21S
 48/1195

DESCRIPTION

This application contains subject matter related to U.S. application Ser. No. 29/497,495, entitled "Vehicle, Toy, and/or Replicas Thereof," filed Jul. 25, 2014 and issued Dec. 15, 2015 as U.S. Pat. No. D745,437.

FIG. 1 is a front view of a taillight for a vehicle according to the design;

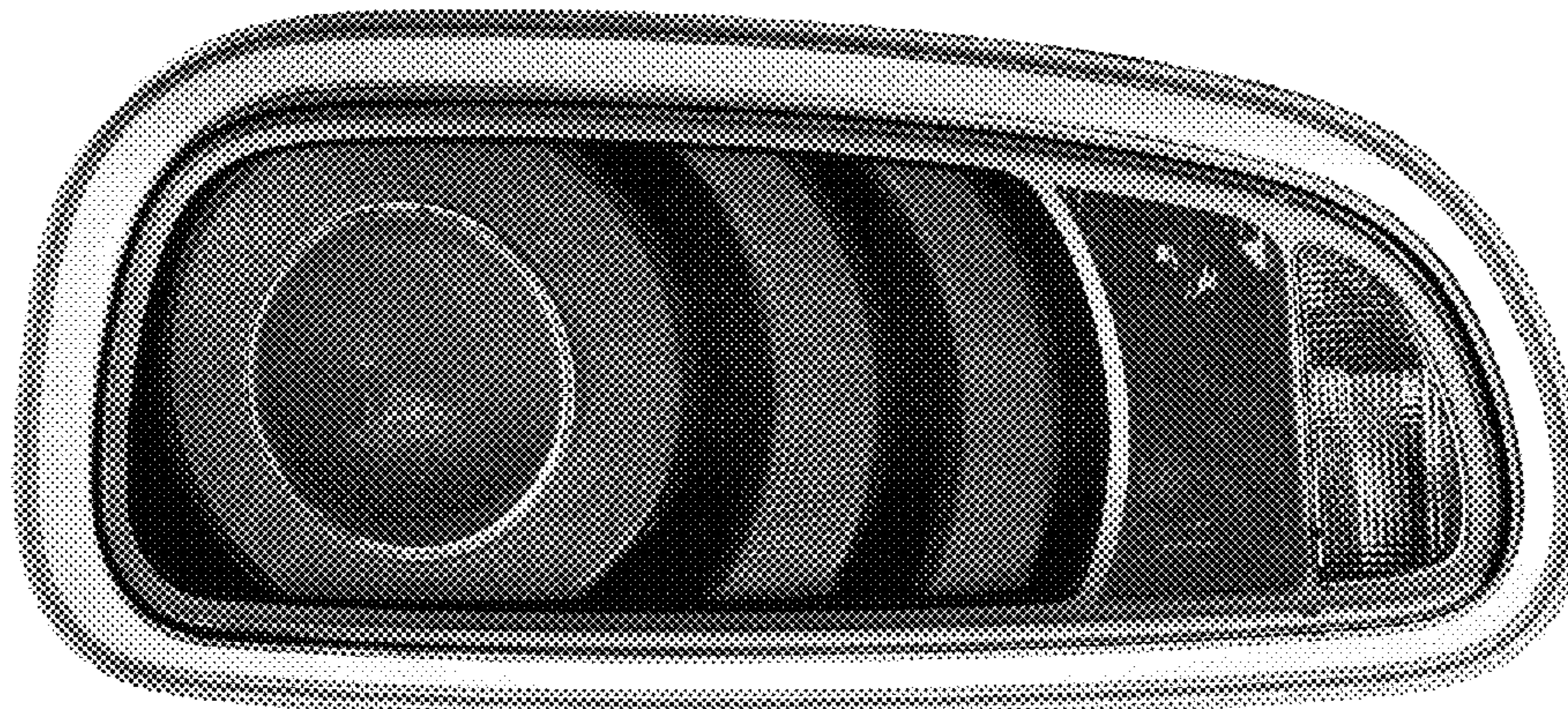
- FIG. 2 is a left perspective view thereof;
- FIG. 3 is a right perspective view thereof;
- FIG. 4 is a left side view thereof;
- FIG. 5 is a right side view thereof;
- FIG. 6 is a top view thereof;
- FIG. 7 is a bottom view thereof; and,
- FIG. 8 is a rear view thereof.

(56) **References Cited**

U.S. PATENT DOCUMENTS

D423,700 S	4/2000	Hayashi
D460,574 S	7/2002	Horowitz
D472,990 S	4/2003	Horowitz
D475,474 S	6/2003	Hsieh et al.
D477,101 S	7/2003	Horowitz
D486,596 S	2/2004	Chen

1 Claim, 8 Drawing Sheets



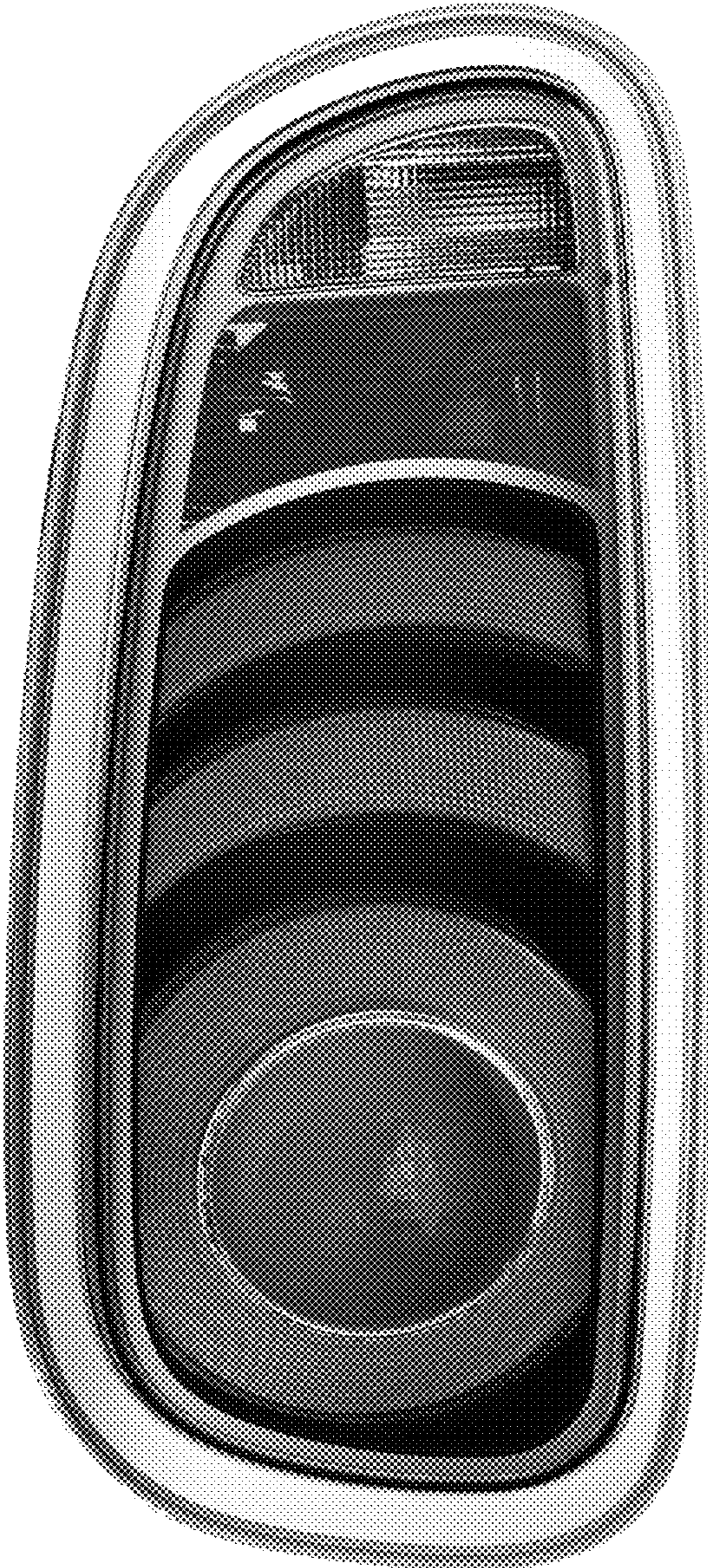


Fig. 1



Fig. 2



Fig. 3

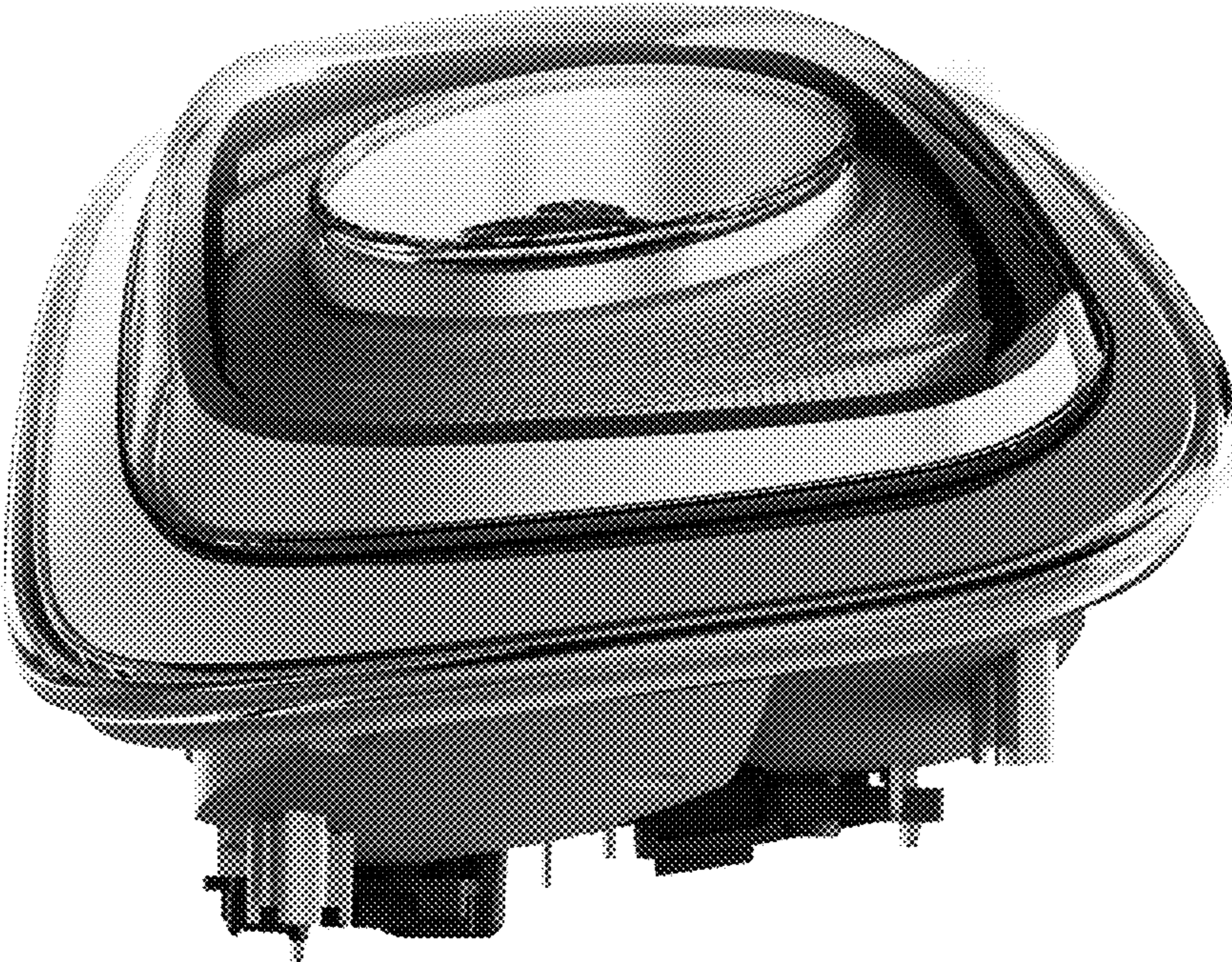


Fig. 4



Fig. 5

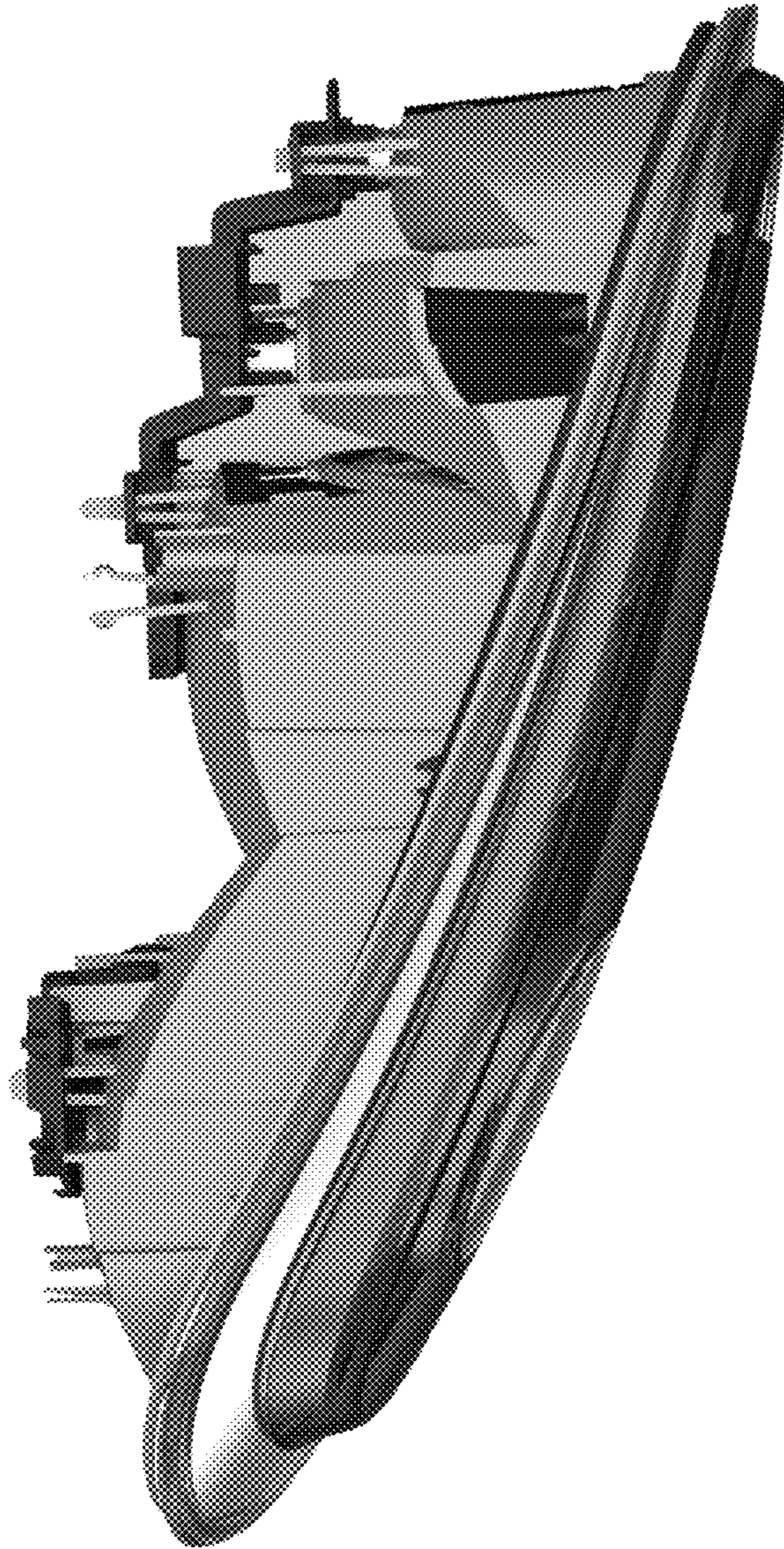


Fig. 6

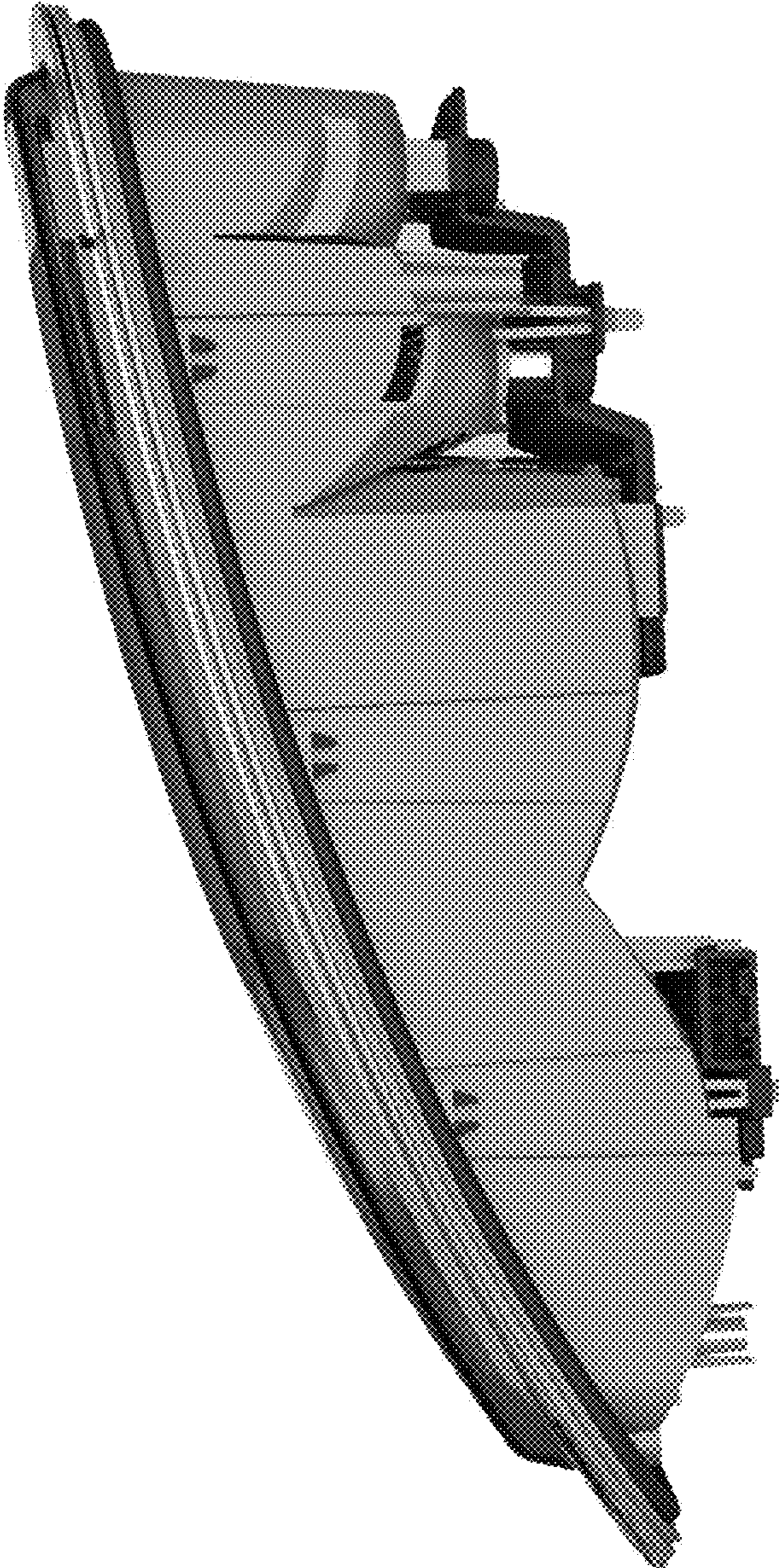


Fig. 7

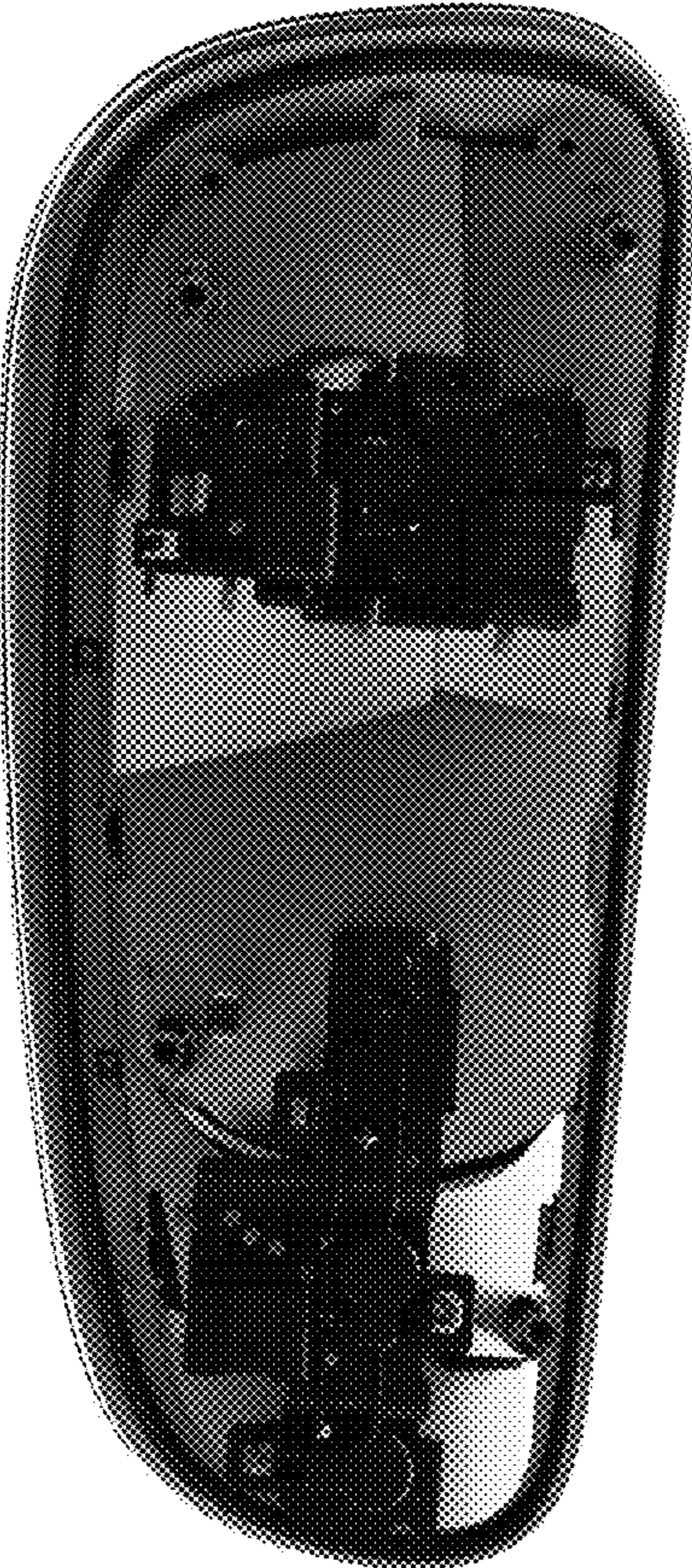


Fig. 8