



US00D789578S

(12) **United States Design Patent**  
**Woodworth**

(10) **Patent No.:** **US D789,578 S**

(45) **Date of Patent:** **\*\* Jun. 13, 2017**

(54) **LIGHTED VEHICLE FENDER MARKER**

(71) Applicant: **Kenneth L. Woodworth**, St. Johns, FL  
(US)

(72) Inventor: **Kenneth L. Woodworth**, St. Johns, FL  
(US)

(\*\*) Term: **15 Years**

(21) Appl. No.: **29/565,511**

(22) Filed: **May 20, 2016**

(51) **LOC (10) Cl.** ..... **26-07**

(52) **U.S. Cl.**  
USPC ..... **D26/28**

(58) **Field of Classification Search**  
USPC ..... D26/28-36; 362/459-468, 475-478,  
362/485-487  
CPC ..... F21S 48/00; F21S 48/10; F21S 48/115;  
F21S 48/225; F21S 48/1233; F21S  
48/1266; F21S 48/1388; F21S 48/2268;  
F21V 21/04  
See application file for complete search history.

(56) **References Cited**

**U.S. PATENT DOCUMENTS**

- 4,274,127 A \* 6/1981 Beck ..... B62J 6/00  
116/173
- D318,132 S \* 7/1991 Solow ..... D10/111
- D367,330 S \* 2/1996 Gill ..... D10/111

- D474,291 S \* 5/2003 Pfeiffer ..... D26/28
- D722,398 S \* 2/2015 Tewell ..... D26/28
- D743,078 S \* 11/2015 Hochman ..... D26/63
- D765,279 S \* 8/2016 Hill ..... D26/28
- D769,486 S \* 10/2016 Ma ..... D26/28
- D769,487 S \* 10/2016 Ma ..... D26/28
- D769,488 S \* 10/2016 Ma ..... D26/28
- D769,489 S \* 10/2016 Ma ..... D26/28
- D769,490 S \* 10/2016 Ma ..... D26/28
- D777,961 S \* 1/2017 Wu ..... D26/28

\* cited by examiner

*Primary Examiner* — Angela J Lee

(74) *Attorney, Agent, or Firm* — RG Patent Consulting,  
LLC; Rachel Gilboy

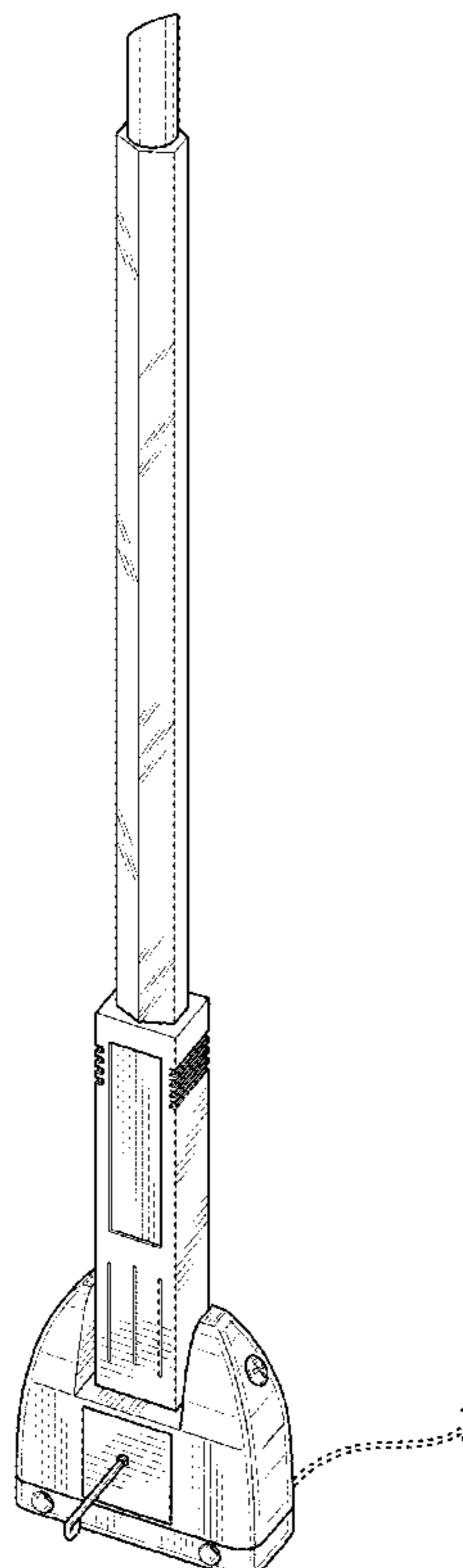
(57) **CLAIM**

The ornamental design for a lighted vehicle fender marker,  
as shown and described.

**DESCRIPTION**

FIG. 1 is a perspective view of the lighted vehicle fender marker showing my new design;  
 FIG. 2 is a front elevation view thereof;  
 FIG. 3 is a rear elevation view thereof;  
 FIG. 4 is a right elevation view thereof;  
 FIG. 5 is a left elevation view thereof;  
 FIG. 6 is a top plan view thereof; and,  
 FIG. 7 is a bottom plan view thereof.  
 Broken lines are included for depicting environmental subject matter and form no part of the claimed design.

**1 Claim, 4 Drawing Sheets**



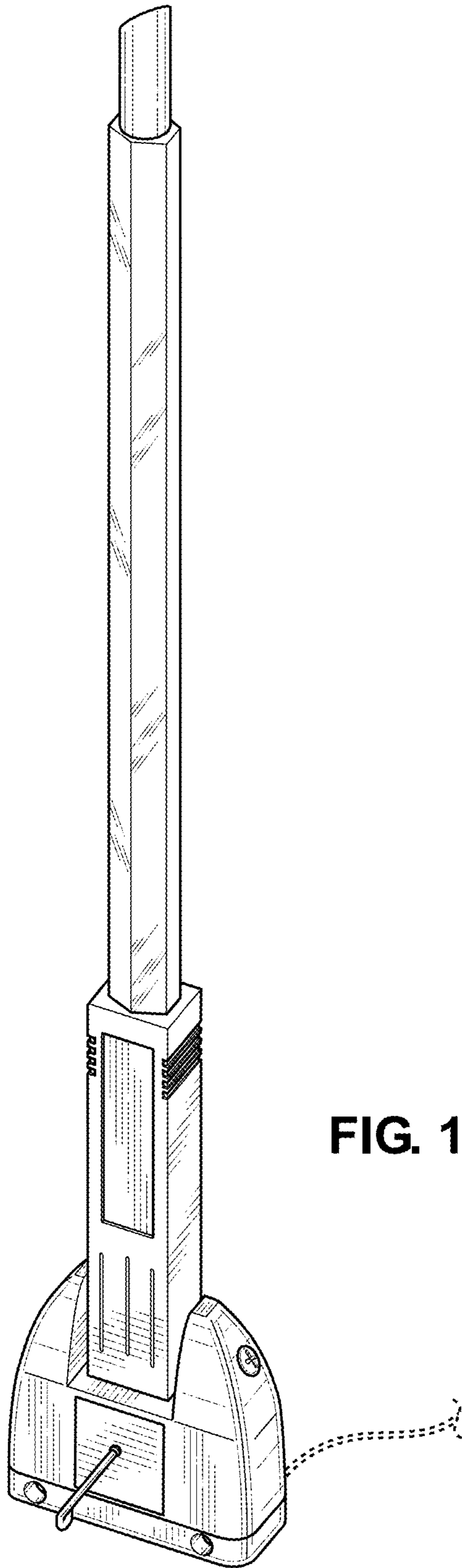
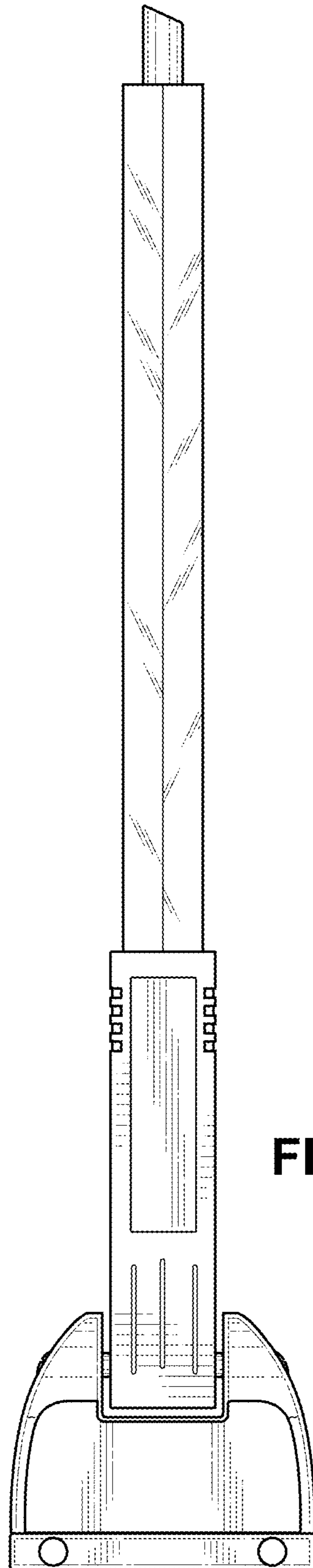
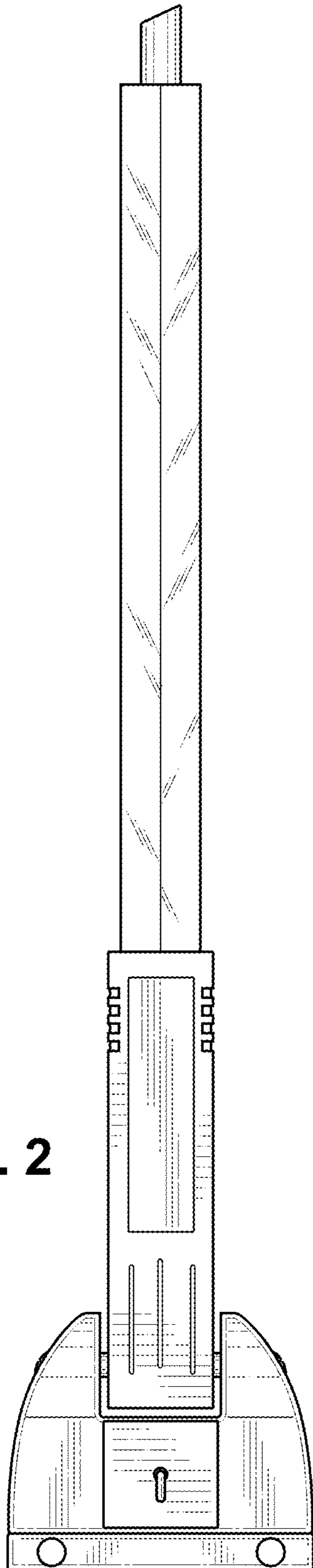
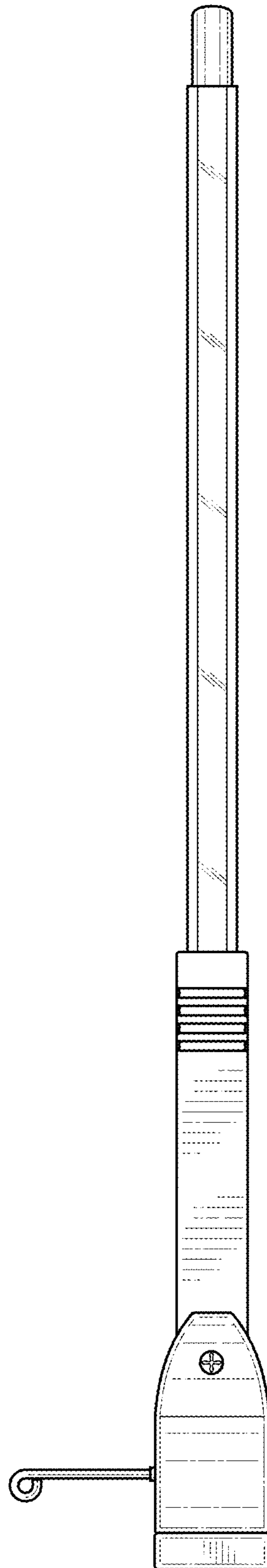
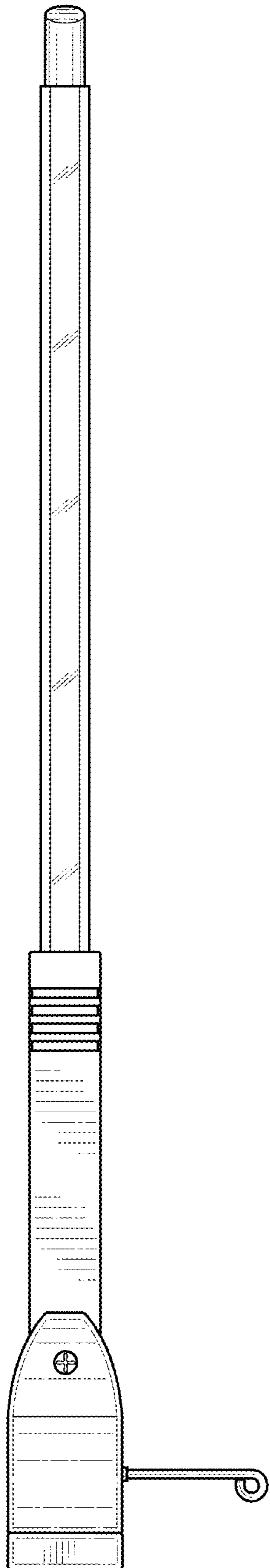
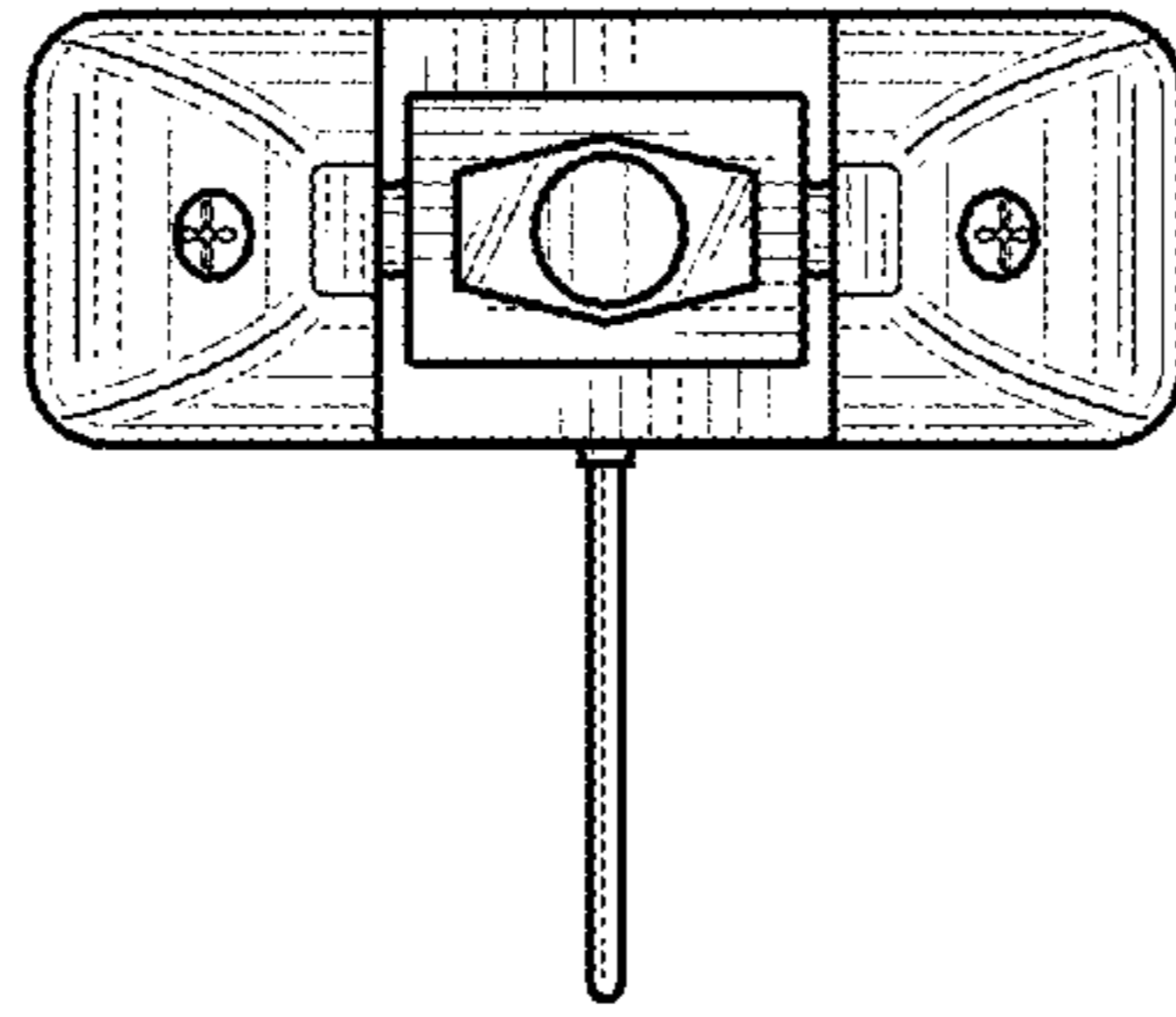


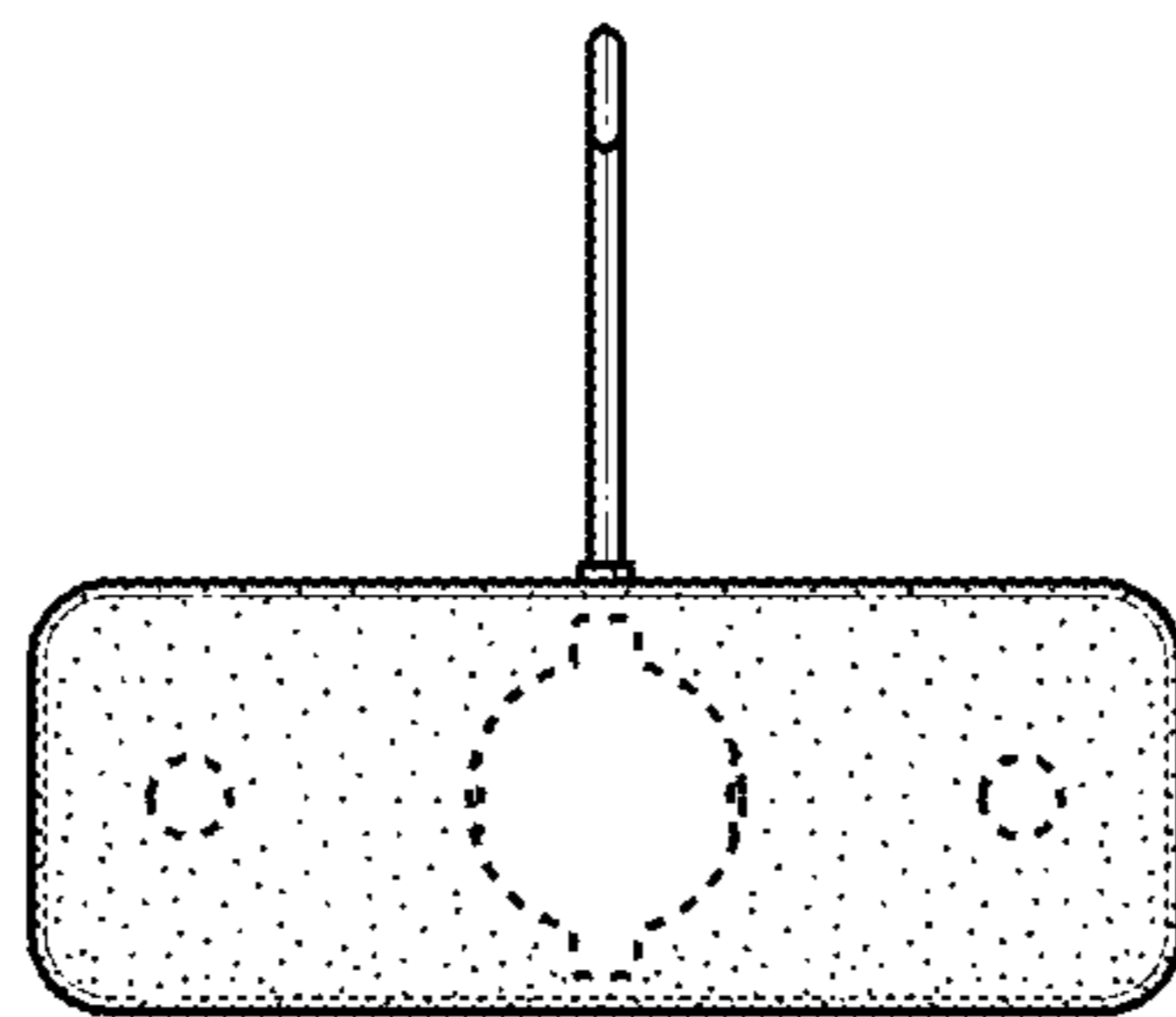
FIG. 1







**FIG. 6**



**FIG. 7**