



US00D789577S

(12) **United States Design Patent** (10) **Patent No.:** **US D789,577 S**  
**Xu** (45) **Date of Patent:** **\*\* Jun. 13, 2017**

(54) **VEHICLE LIGHT**  
(71) Applicant: **Baozhou Xu**, Zhuhai (CN)  
(72) Inventor: **Baozhou Xu**, Zhuhai (CN)  
(\*\*) Term: **15 Years**  
(21) Appl. No.: **29/557,121**  
(22) Filed: **Mar. 5, 2016**  
(51) **LOC (10) Cl.** ..... **26-06**  
(52) **U.S. Cl.**  
USPC ..... **D26/28**  
(58) **Field of Classification Search**  
USPC ..... D26/28-36; 362/80-83, 267-269,  
362/459-468, 475-478, 485-487  
CPC ..... F21S 48/00; F21S 48/10; F21S 48/115;  
F21S 48/225; F21S 48/1233; F21S  
48/1266; F21S 48/1388; F21S 48/2268;  
F21V 21/04  
See application file for complete search history.

(56) **References Cited**  
U.S. PATENT DOCUMENTS  
D547,889 S \* 7/2007 Huang ..... D26/28  
D570,012 S \* 5/2008 Huang ..... D26/28

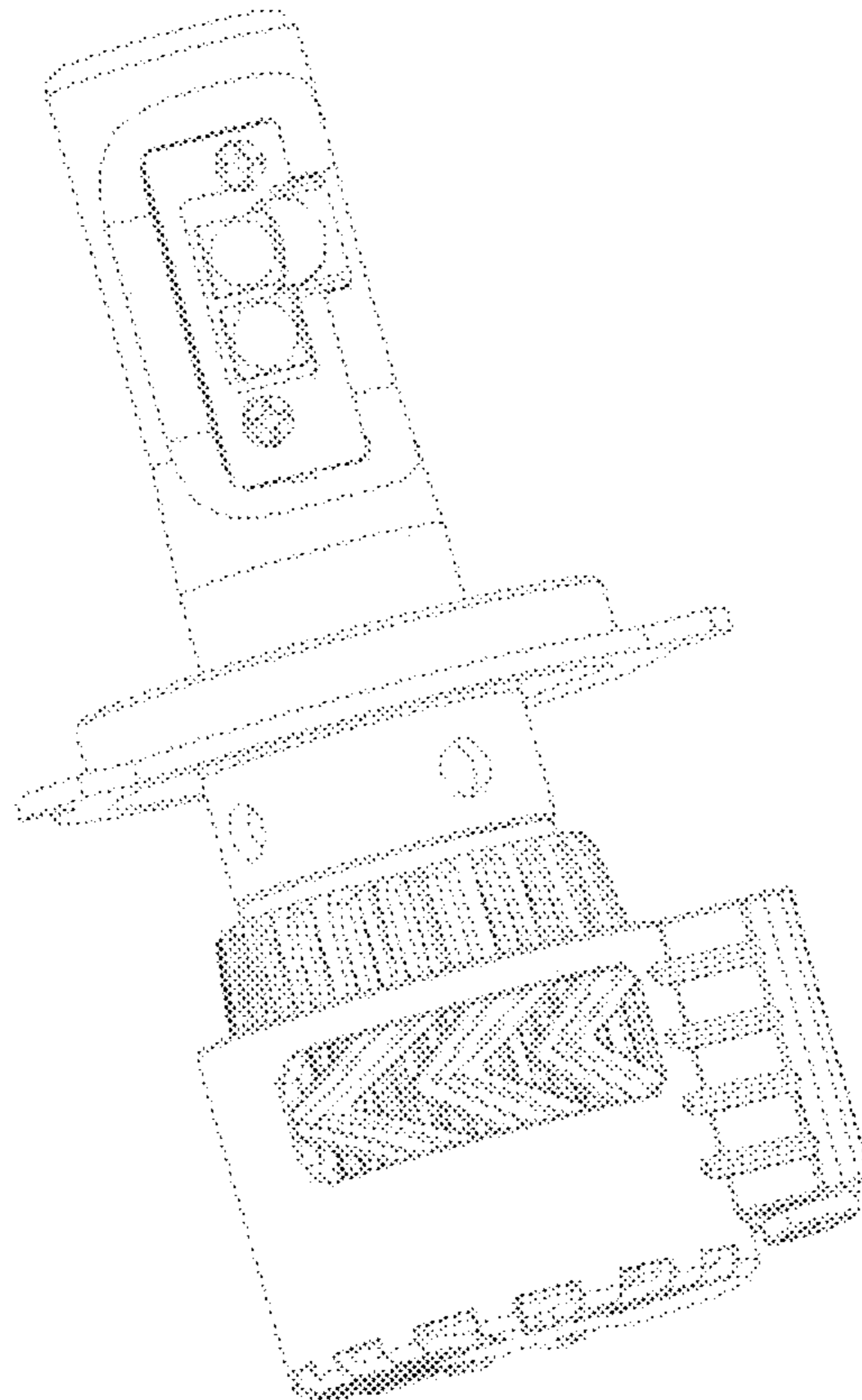
D592,778 S \* 5/2009 Chang ..... D26/28  
D606,682 S \* 12/2009 Chang ..... D26/28  
D645,177 S \* 9/2011 Okuda ..... D12/345  
D662,632 S \* 6/2012 Wilson ..... D26/28  
D720,483 S \* 12/2014 Saddig ..... D26/28

\* cited by examiner  
*Primary Examiner* — Marcus Jackson

(57) **CLAIM**  
The ornamental design for an vehicle light, as shown and described.

**DESCRIPTION**  
FIG. 1 is a front elevational view thereof.  
FIG. 2 is a rear elevational view thereof.  
FIG. 3 is a left elevational view thereof.  
FIG. 4 is a right elevational view thereof.  
FIG. 5 is a top plan view thereof.  
FIG. 6 is a bottom plan view thereof.  
FIG. 7 is a front side perspective view thereof; and,  
FIG. 8 is another perspective view thereof.

**1 Claim, 8 Drawing Sheets**



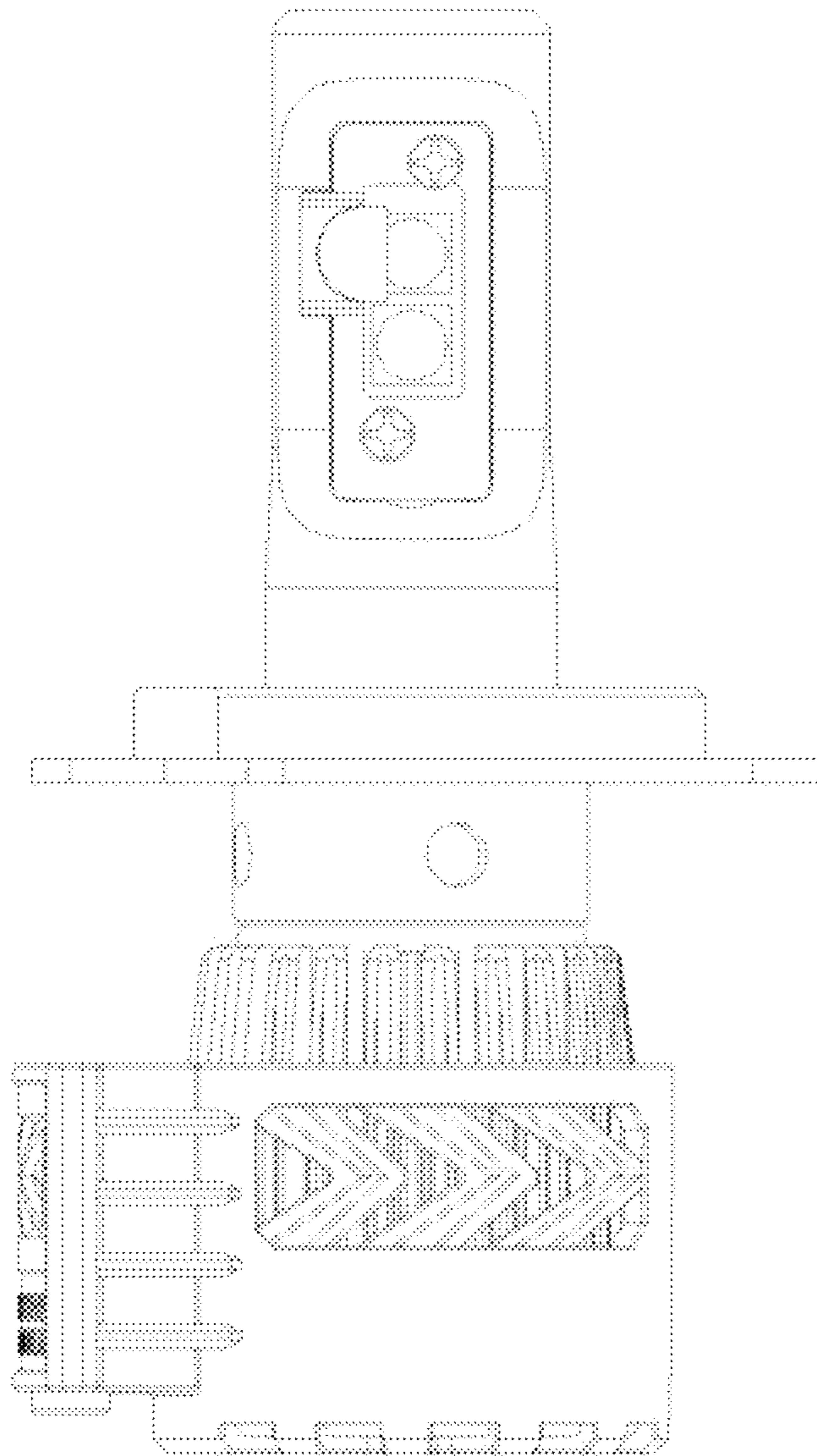


FIGURE 1

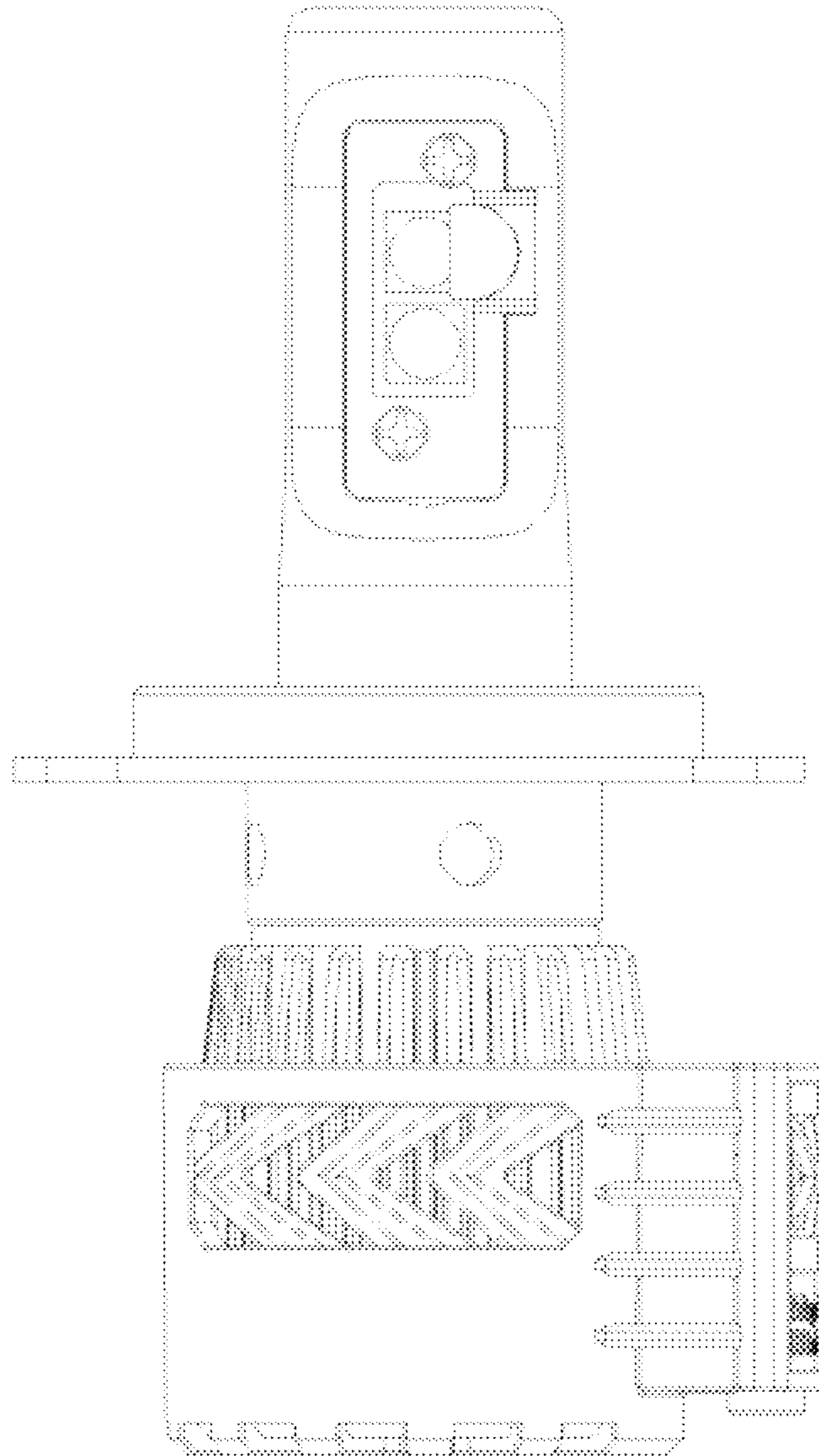


FIGURE 2

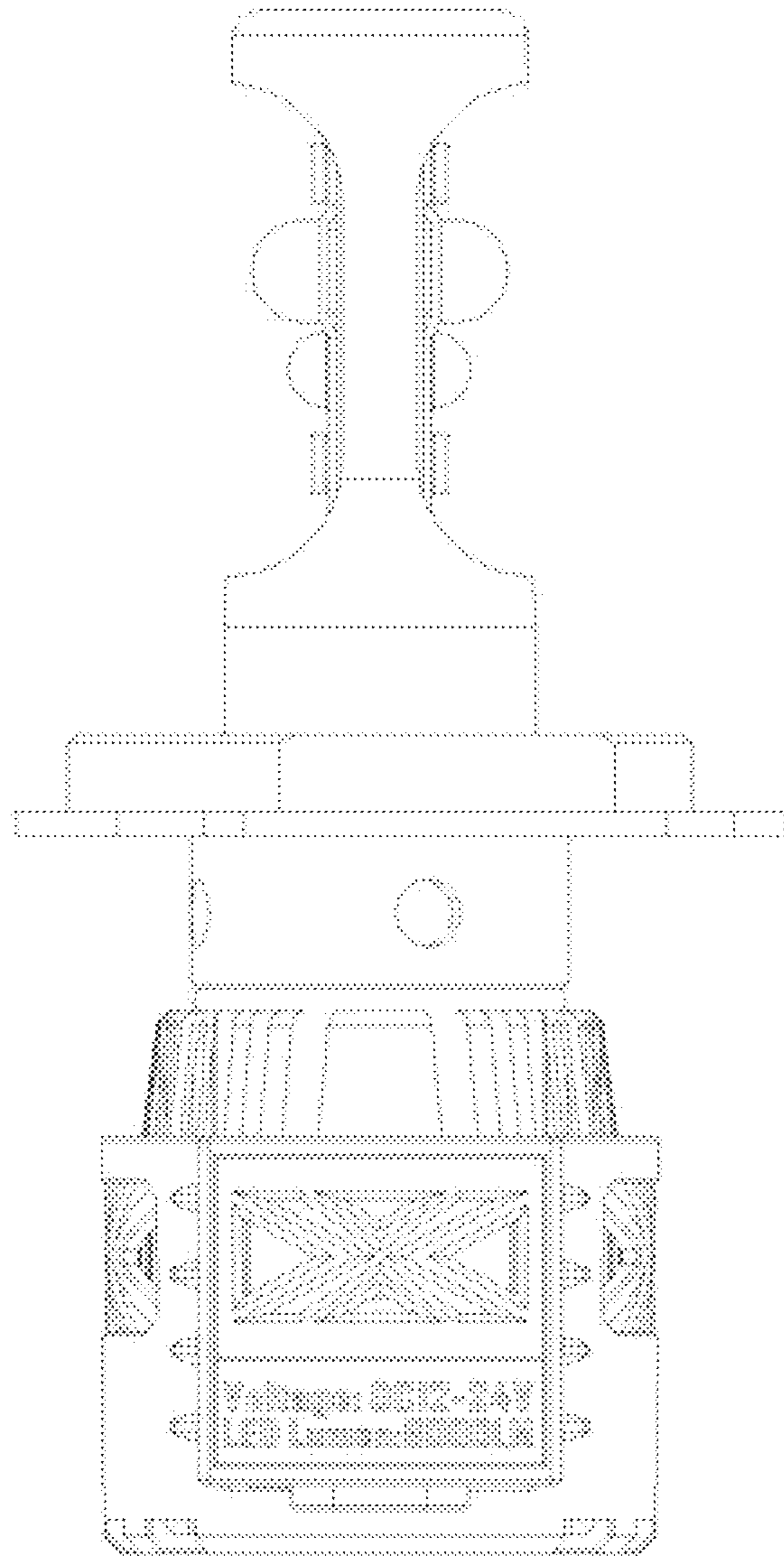


FIGURE 3

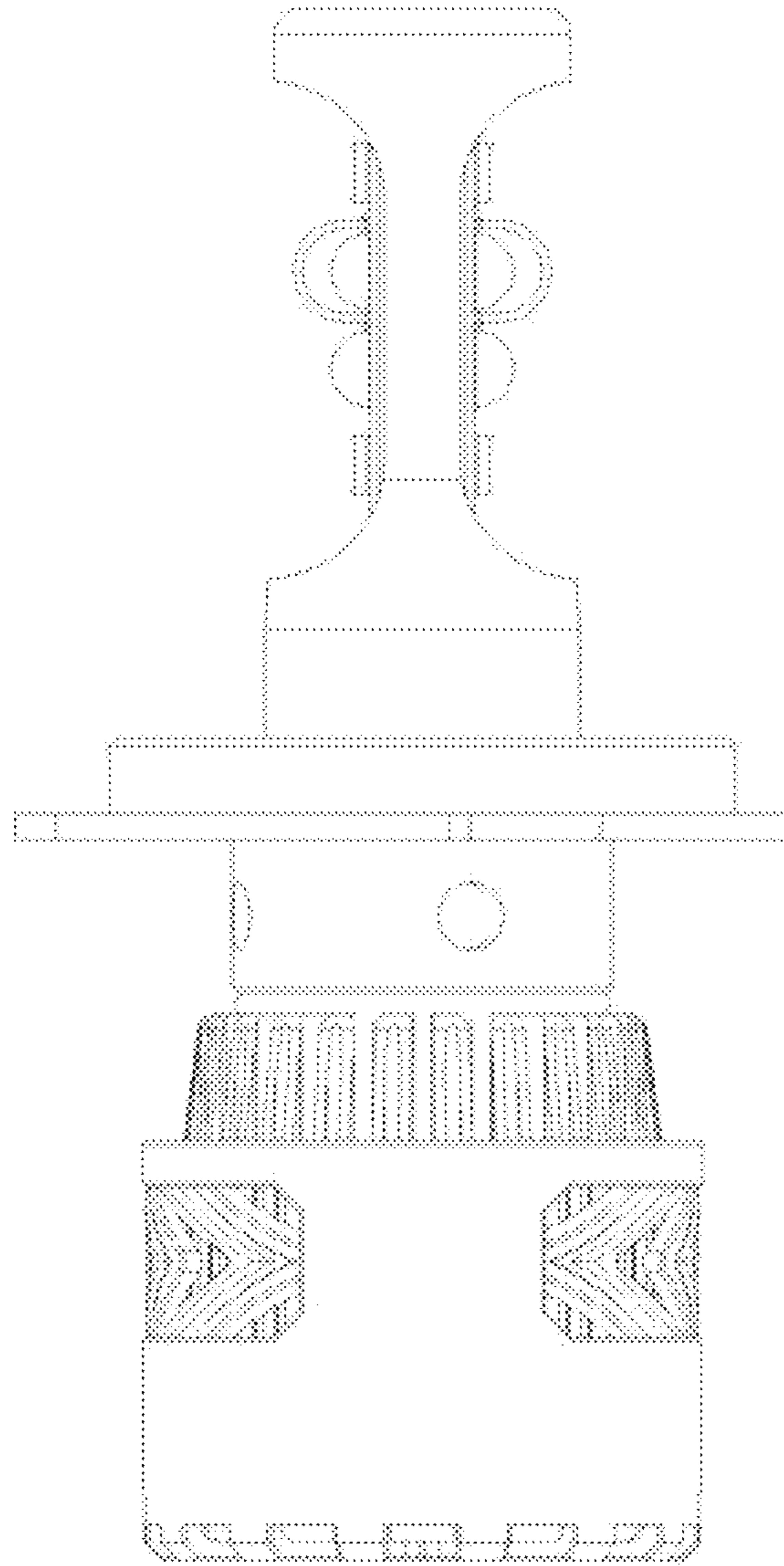


FIGURE 4

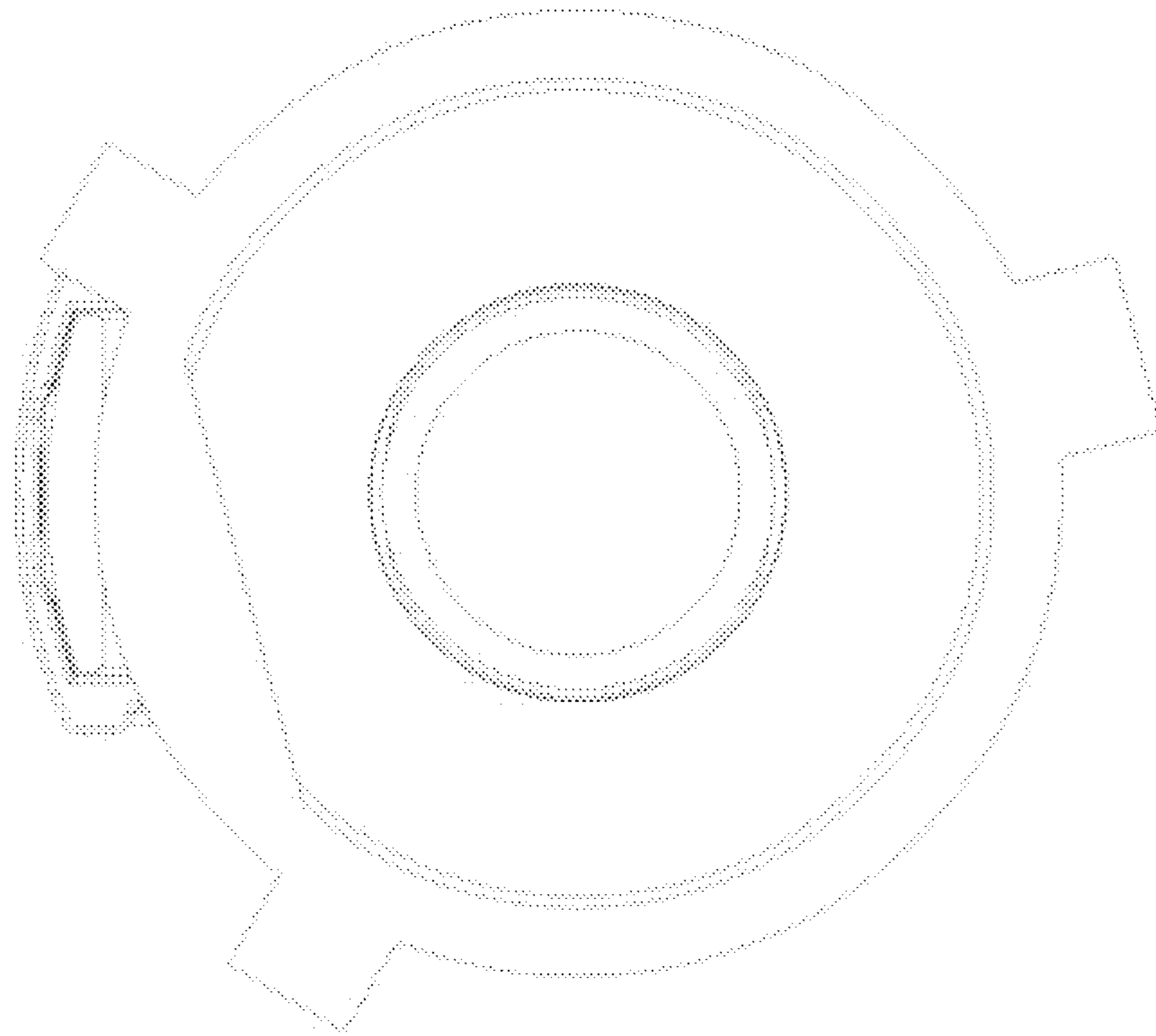


FIGURE 5



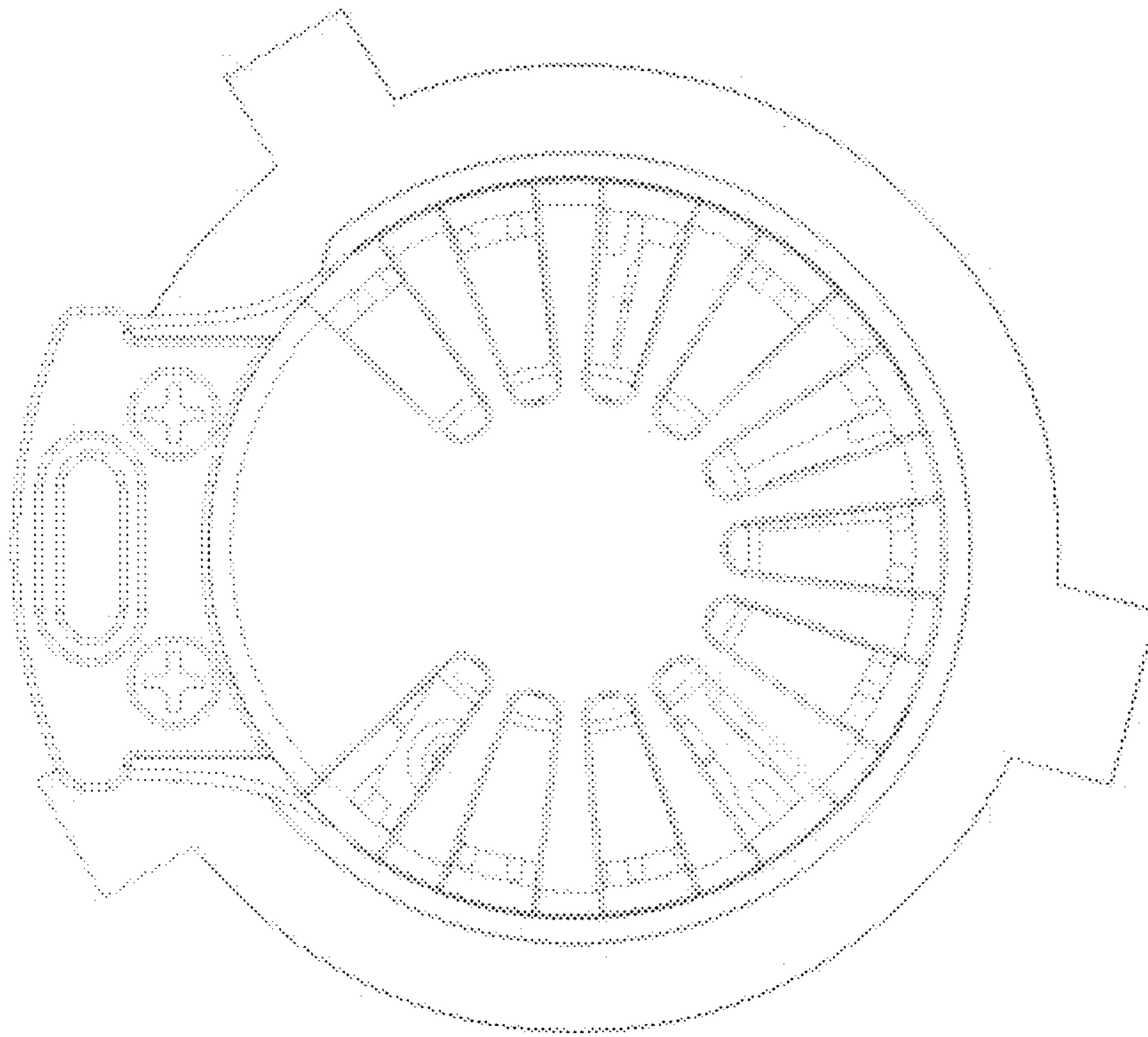


FIGURE 6

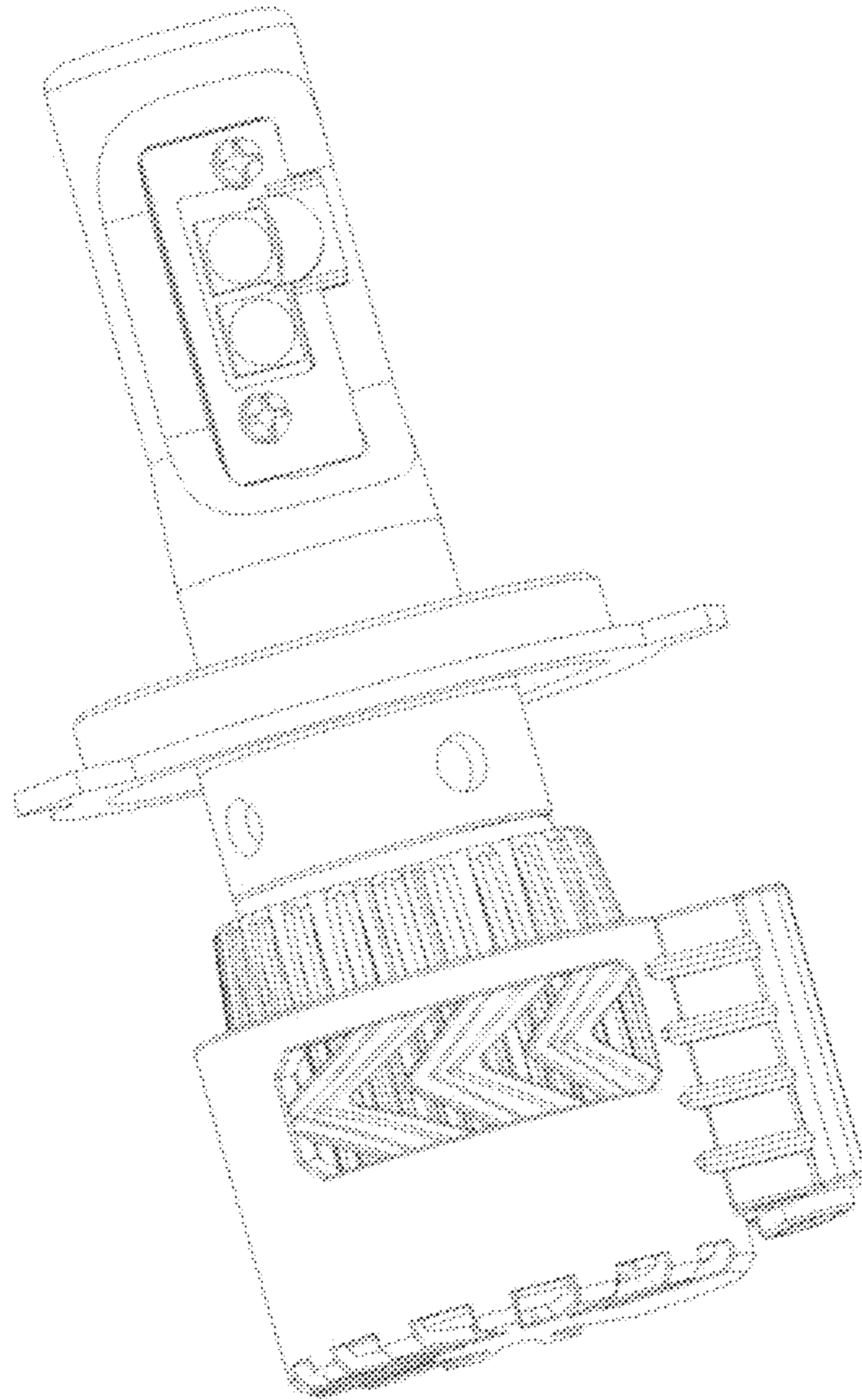


FIGURE 7



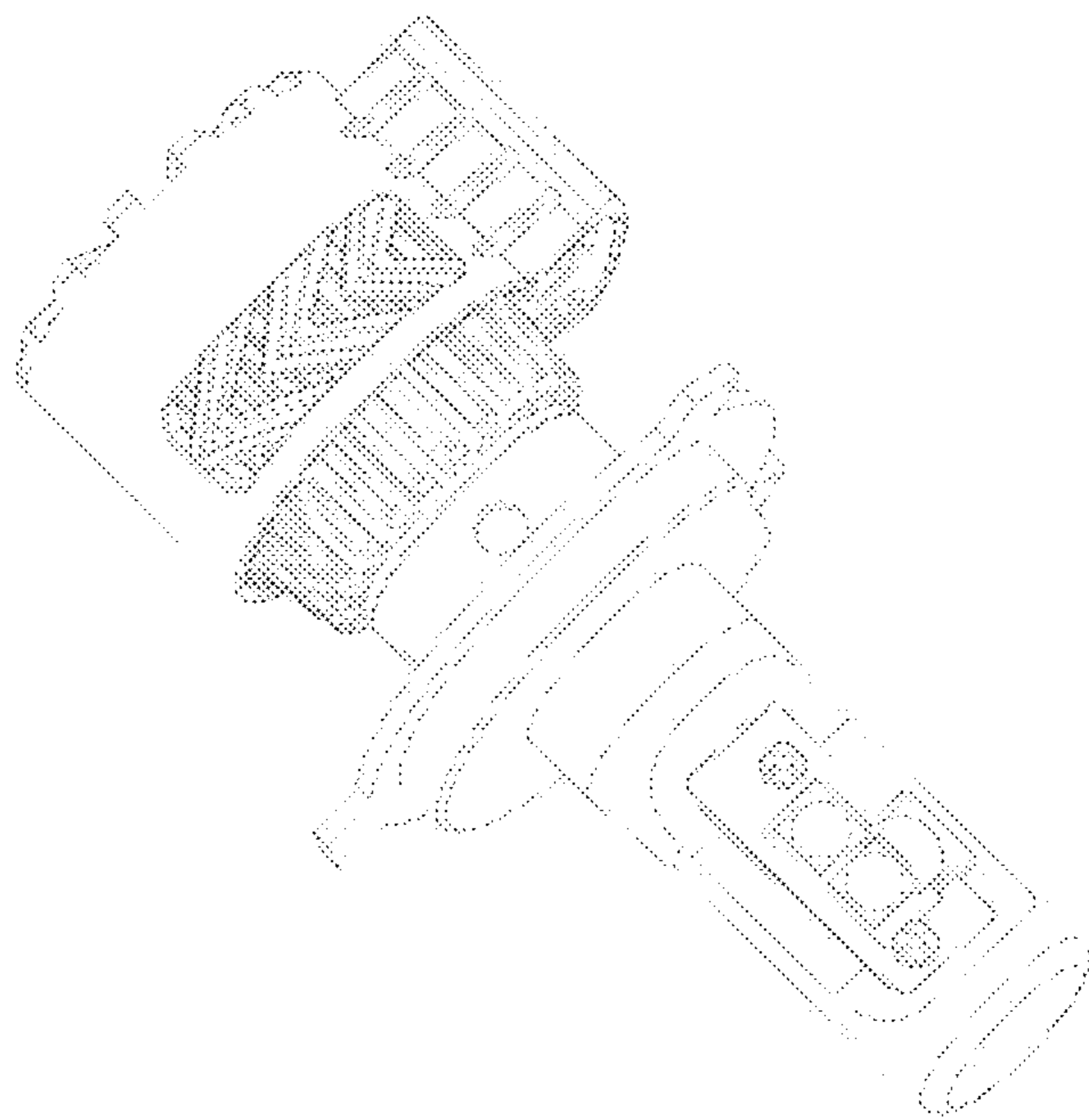


FIGURE 8