



US00D789574S

(12) **United States Design Patent**
Sassoon

(10) **Patent No.:** **US D789,574 S**
(45) **Date of Patent:** **** Jun. 13, 2017**

- (54) **VEHICLE LAMP COVER**
- (71) Applicant: **Charles I. Sassoon**, Hauppauge, NY
(US)
- (72) Inventor: **Charles I. Sassoon**, Hauppauge, NY
(US)
- (**) Term: **15 Years**
- (21) Appl. No.: **29/549,075**
- (22) Filed: **Dec. 18, 2015**
- (51) **LOC (10) Cl.** **26-07**
- (52) **U.S. Cl.**
USPC **D26/28**
- (58) **Field of Classification Search**
USPC D26/28-36; 362/459-468, 475-478,
362/485-487
CPC F21S 48/00; F21S 48/10; F21S 48/115;
F21S 48/225; F21S 48/1233; F21S
48/1266; F21S 48/1388; F21S 48/2268;
F21V 21/04
See application file for complete search history.

- D740,469 S * 10/2015 Gipaya D26/28
- D752,264 S * 3/2016 Talios D26/28
- D763,168 S * 8/2016 Tran D12/345
- D763,483 S * 8/2016 Luke D26/28

* cited by examiner

Primary Examiner — Angela J Lee
(74) *Attorney, Agent, or Firm* — Stroock & Stroock & Lavan, LLP

(57) **CLAIM**

The ornamental design for a vehicle lamp cover, as shown and described.

DESCRIPTION

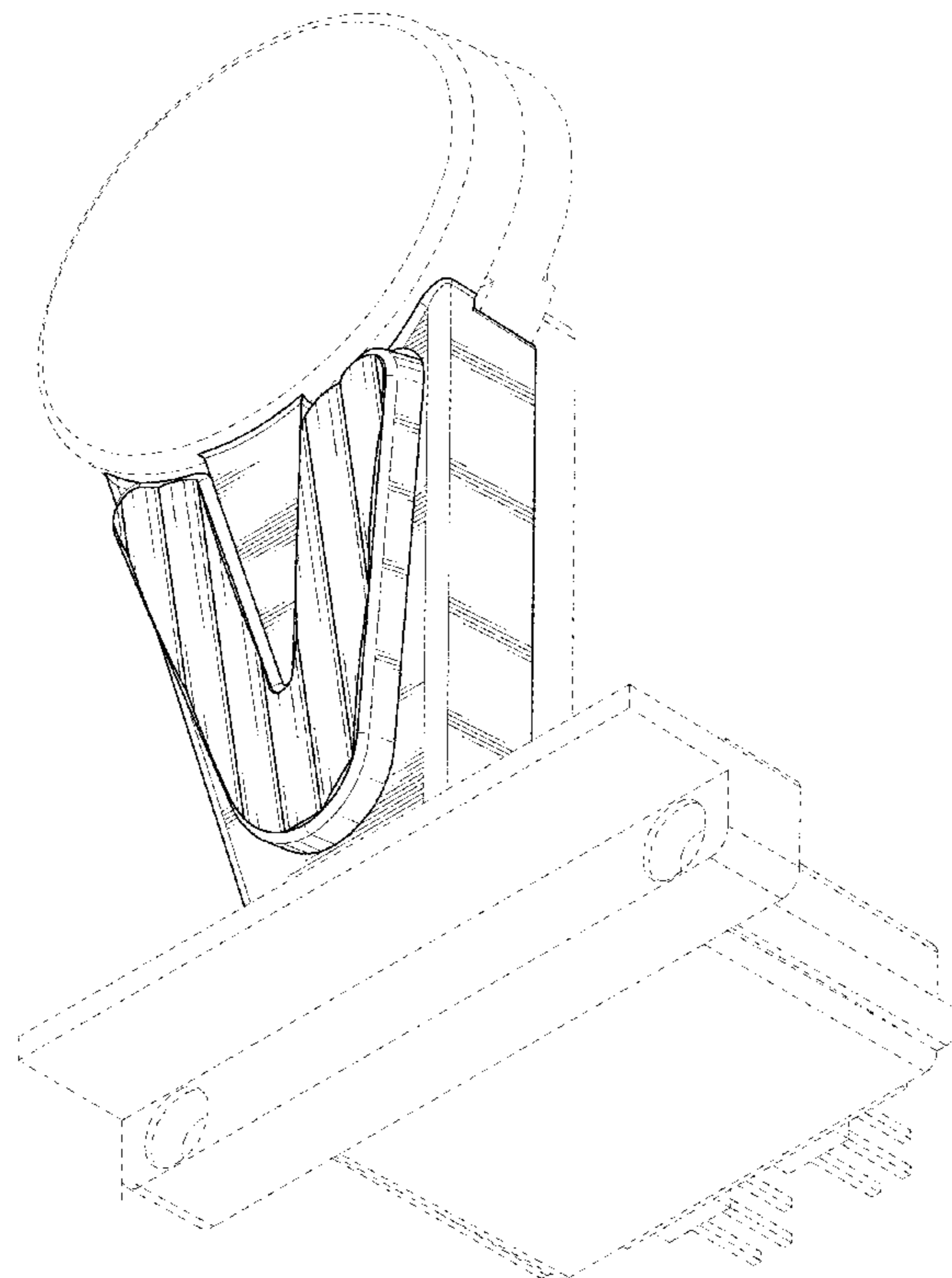
FIG. 1 is a perspective view of a vehicle lamp cover in a lamp assembly.
 FIG. 2 is a front elevational view of the vehicle lamp cover as shown in FIG. 1.
 FIG. 3 is a first side elevational view of the vehicle lamp cover as shown in FIG. 1.
 FIG. 4 is a back elevational view of the vehicle lamp cover as shown in FIG. 1.
 FIG. 5 is a second side elevational view of the vehicle lamp cover as shown in FIG. 1.
 FIG. 6 is a top view of the vehicle lamp cover as shown in FIG. 1.
 FIG. 7 is a bottom view of the vehicle lamp cover as shown in FIG. 1; and,
 FIG. 8 is a perspective view of the vehicle lamp cover as shown in FIG. 1.
 The dashed lines are intended for the purpose of illustrating environment and form no part of the claimed design.

(56) **References Cited**

U.S. PATENT DOCUMENTS

- D507,838 S * 7/2005 Wernimont D26/31
- D600,374 S * 9/2009 Brew D26/28
- D706,966 S * 6/2014 Lai D26/35
- D706,967 S * 6/2014 Lai D26/35
- D740,468 S * 10/2015 Gipaya D26/28

1 Claim, 8 Drawing Sheets



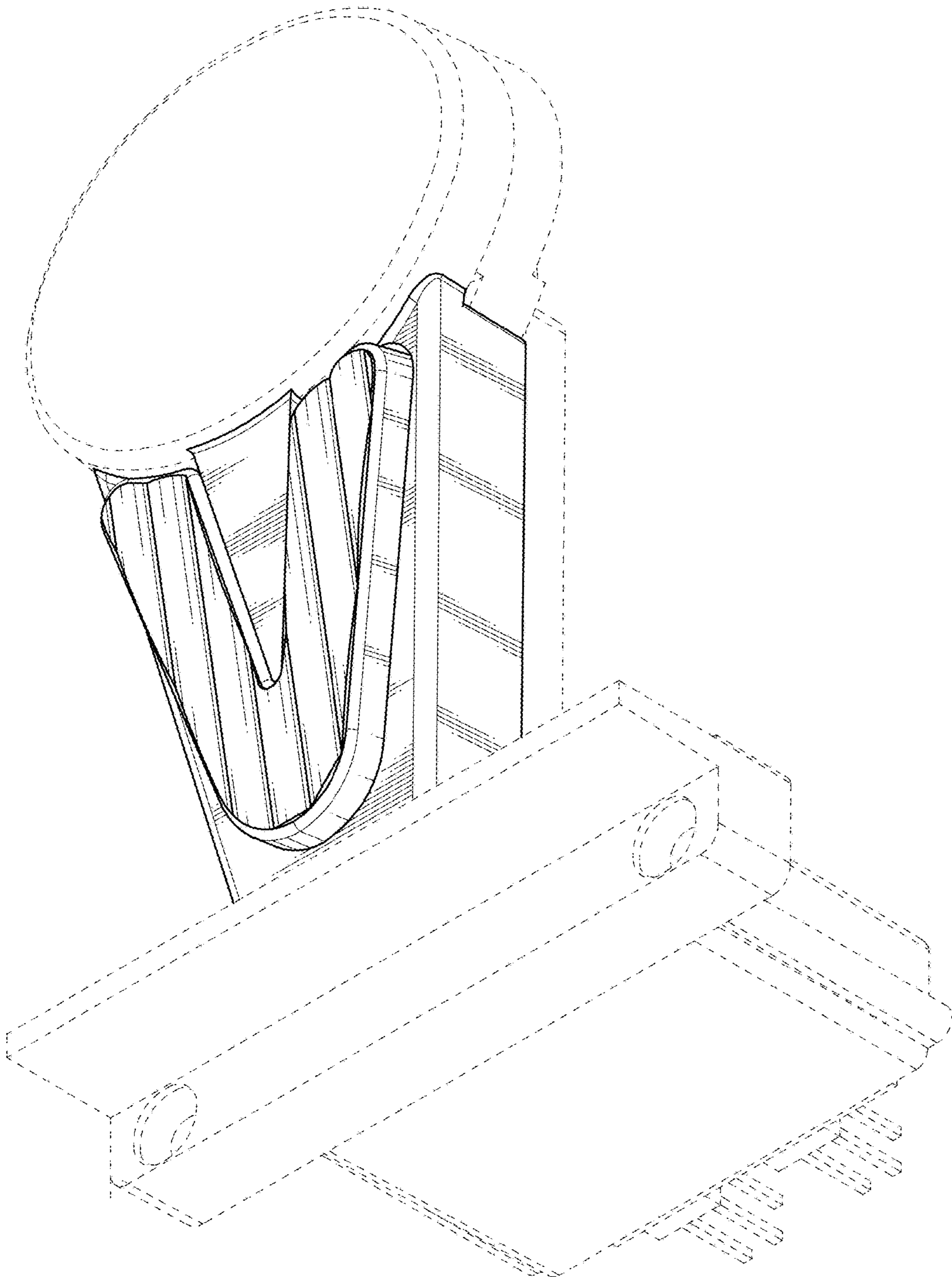


FIG. 1

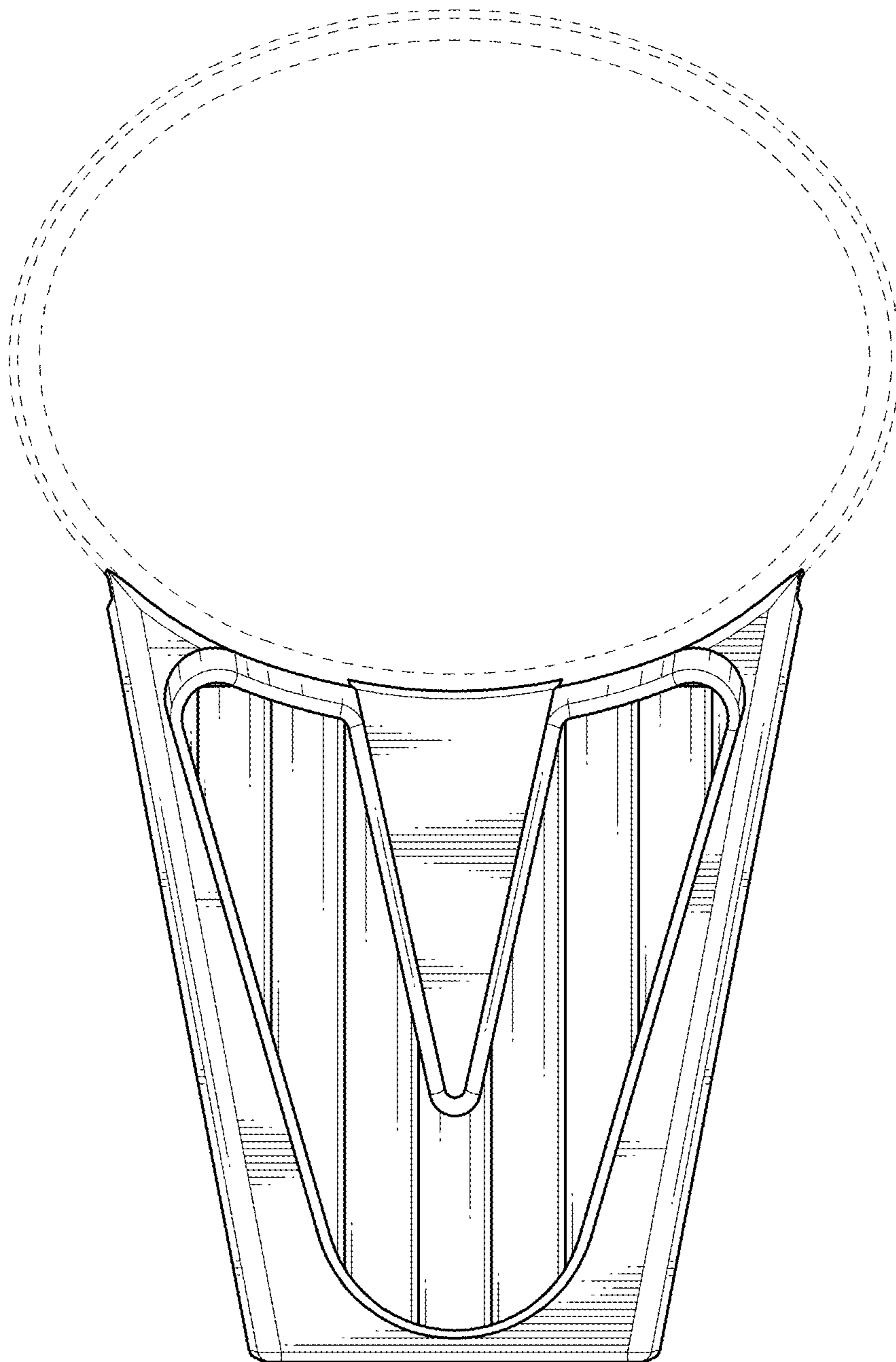


FIG. 2

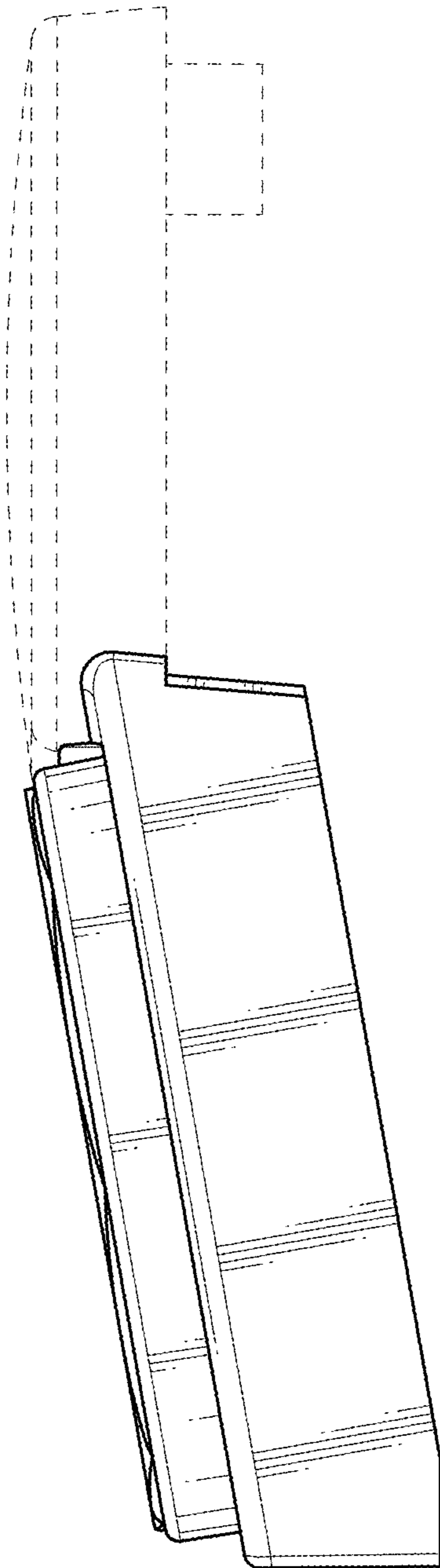


FIG. 3

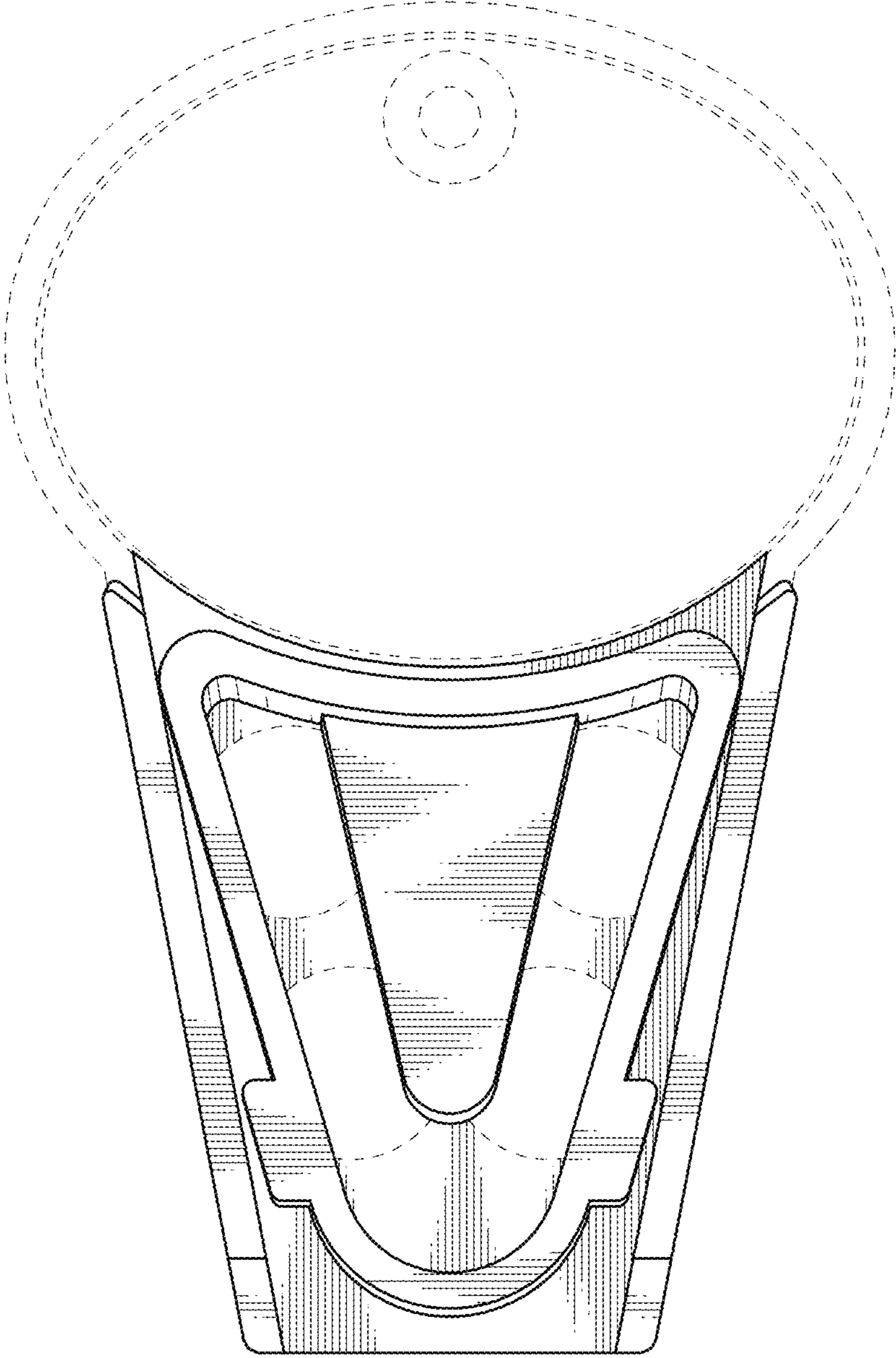


FIG. 4

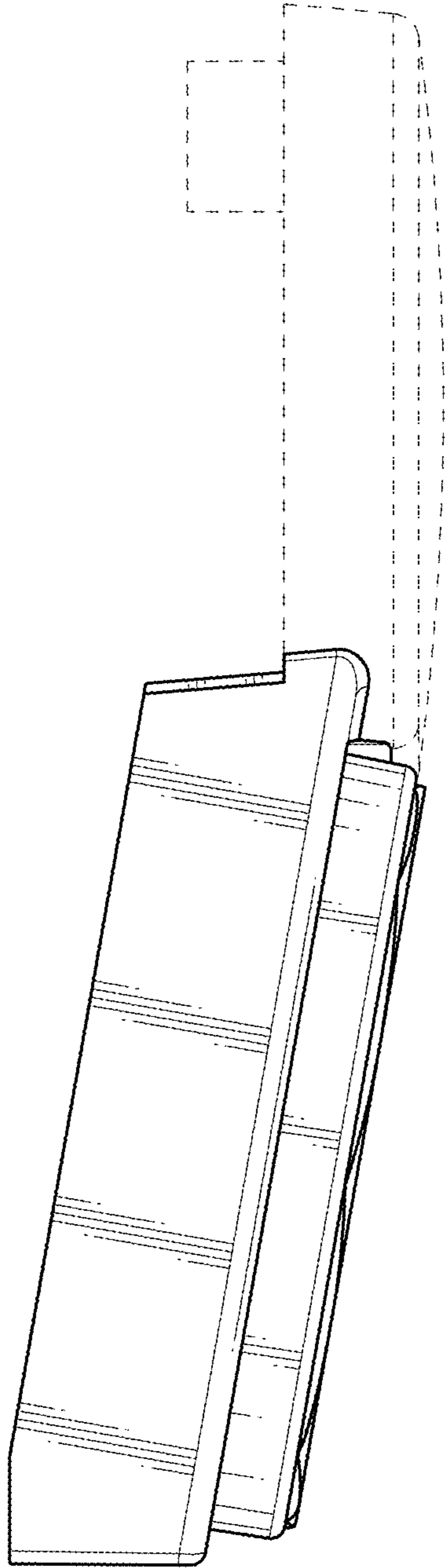


FIG. 5

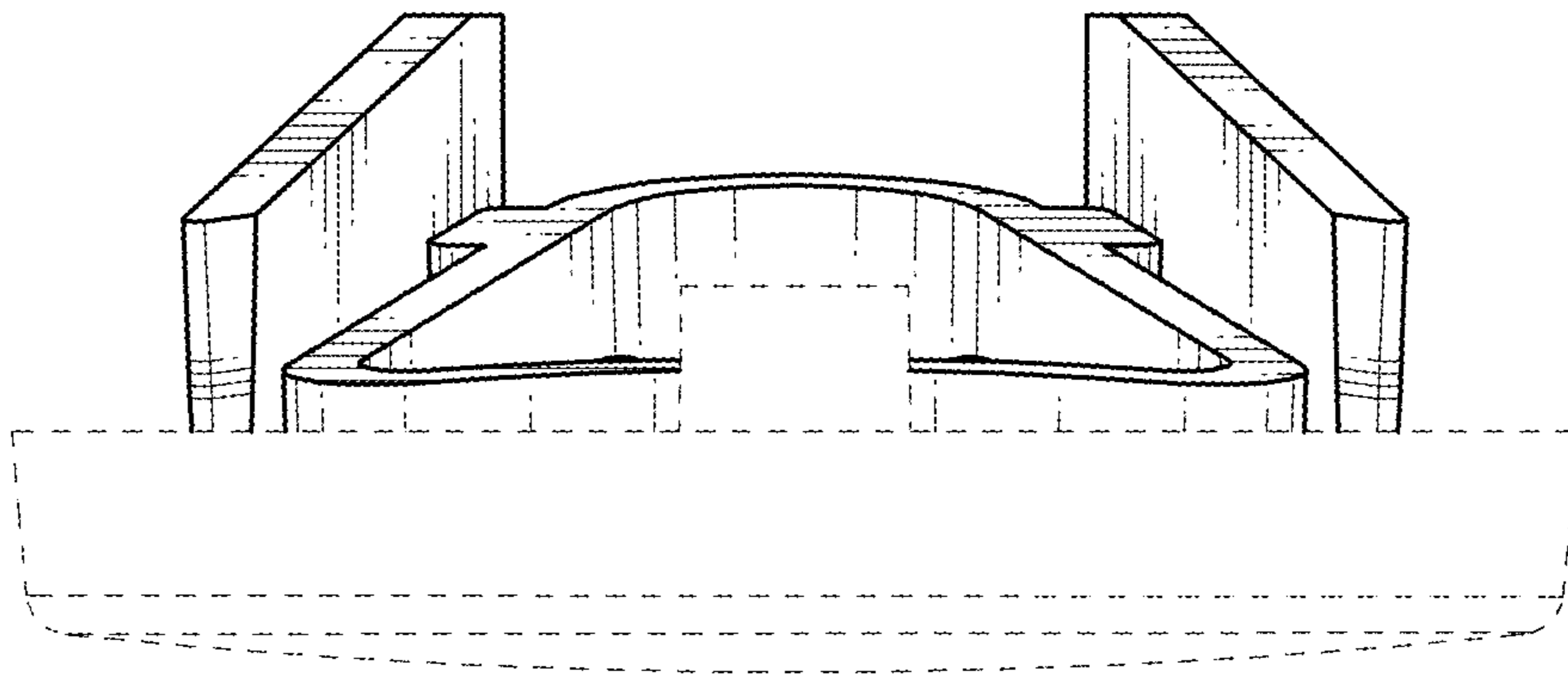


FIG. 6

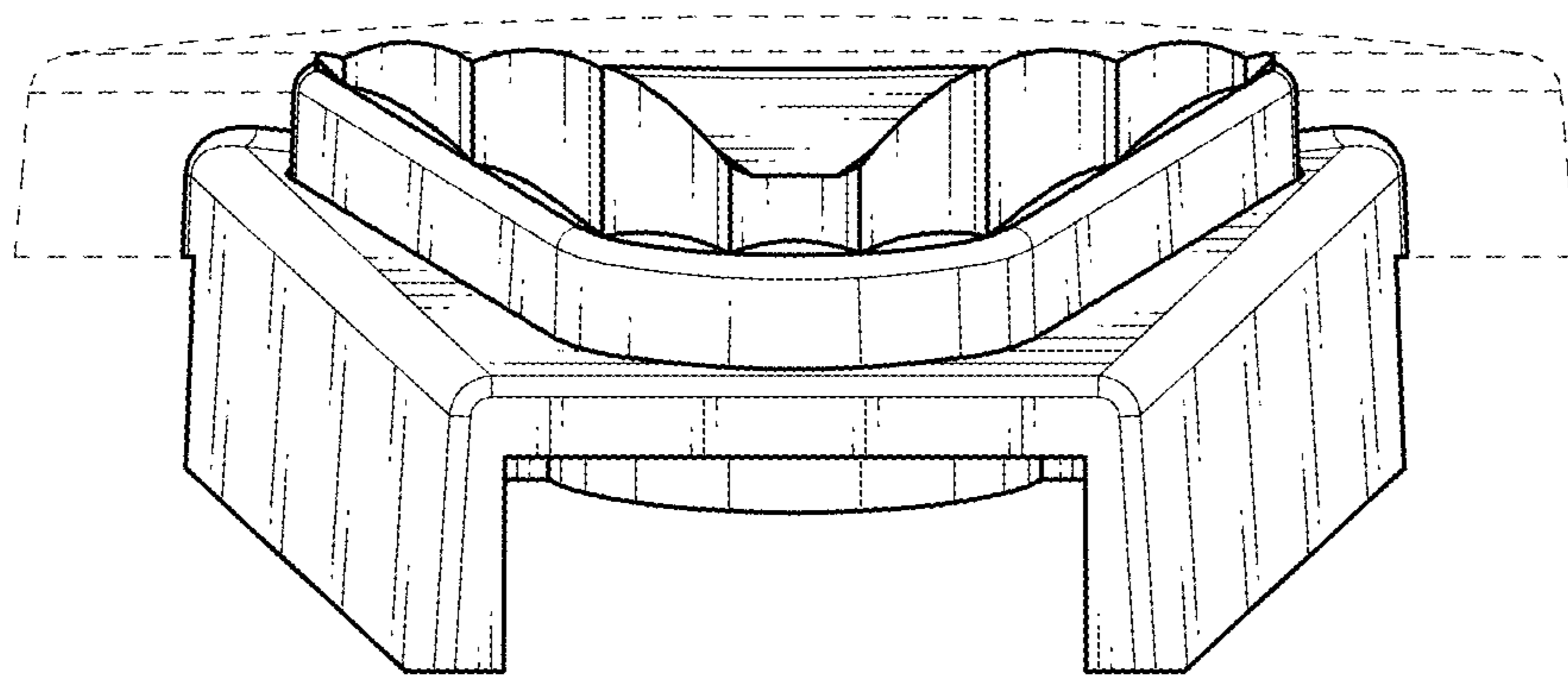


FIG. 7

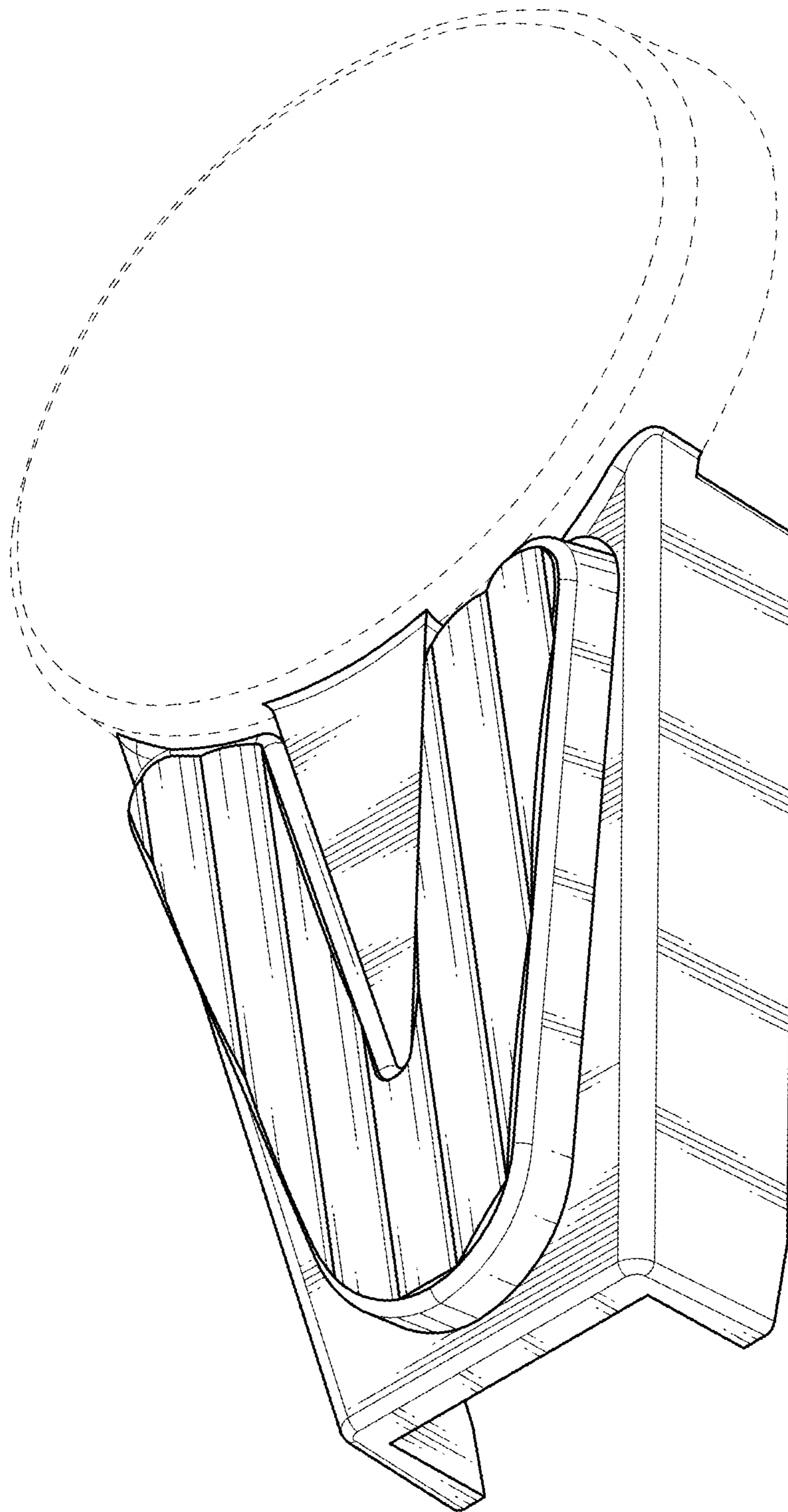


FIG. 8