



US00D789573S

(12) **United States Design Patent**
Redfern

(10) **Patent No.:** **US D789,573 S**

(45) **Date of Patent:** **** Jun. 13, 2017**

- (54) **ROOF LIGHT FOR VEHICLE**
- (71) Applicant: **Redtronic Limited**, Elland (GB)
- (72) Inventor: **Steve Redfern**, Elland (GB)
- (73) Assignee: **Redtronic Limited**, Elland (GB)
- (**) Term: **15 Years**
- (21) Appl. No.: **29/547,978**
- (22) Filed: **Dec. 9, 2015**
- (51) **LOC (10) Cl.** **26-05**
- (52) **U.S. Cl.**
USPC **D26/28**
- (58) **Field of Classification Search**
USPC D26/28-36; 362/459-468, 475-478,
362/485-487
CPC F21S 48/00; F21S 48/10; F21S 48/115;
F21S 48/225; F21S 48/1233; F21S
48/1266; F21S 48/1388; F21S 48/2268;
F21V 21/04
See application file for complete search history.

- D714,480 S * 9/2014 Law D26/31
- D735,907 S * 8/2015 Campagna D26/28
- D736,433 S * 8/2015 Kuei-Lai D10/114.1
- D741,209 S * 10/2015 Nishigaki D10/114.4
- D745,720 S * 12/2015 Chang D26/28
- D751,444 S * 3/2016 Goltche D10/114.4
- D766,476 S * 9/2016 Liu D26/28

* cited by examiner

Primary Examiner — Angela J Lee

(74) *Attorney, Agent, or Firm* — Shumaker, Loop & Kendrick, LLP

(57) **CLAIM**

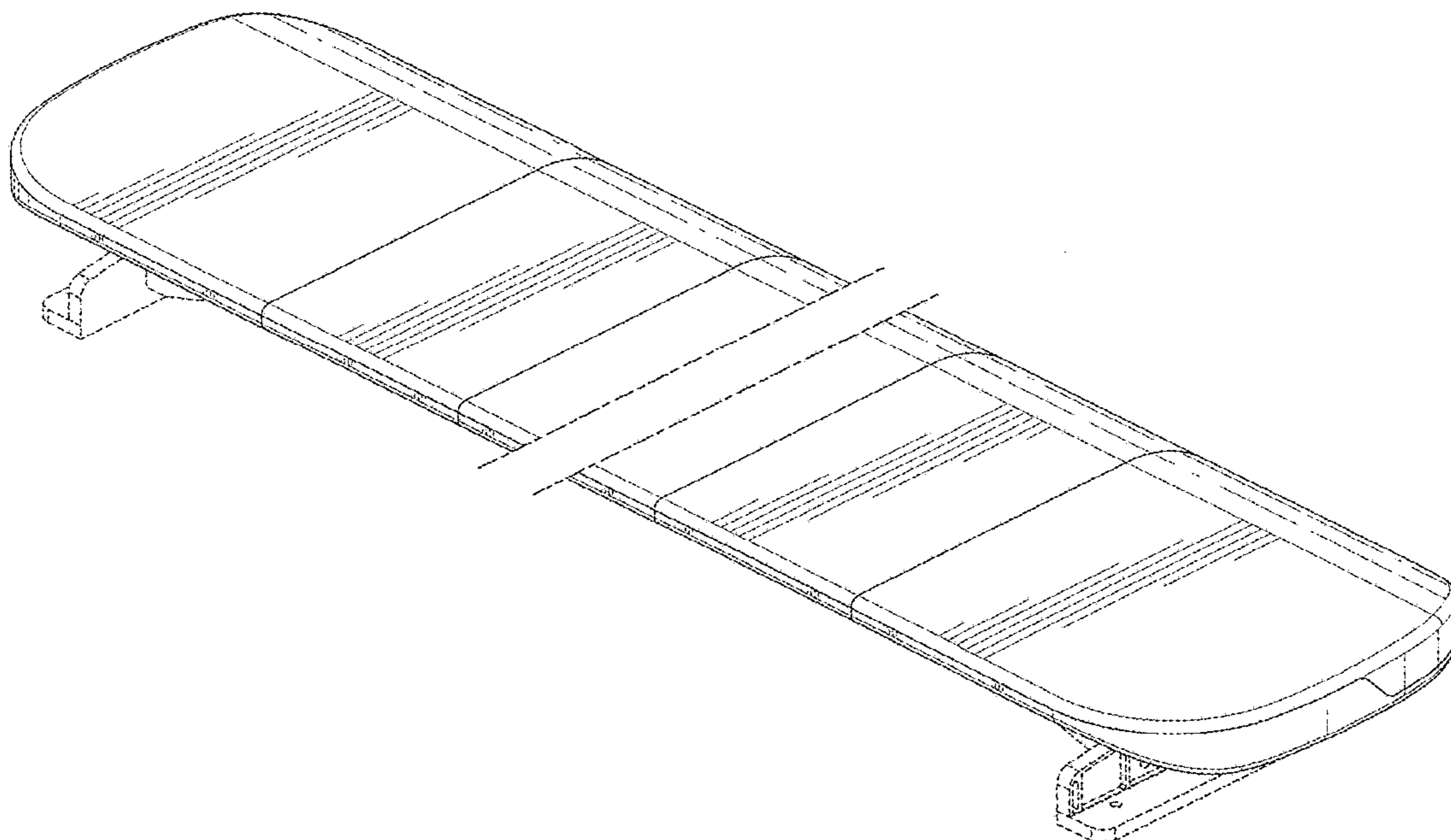
The ornamental design for a roof light for vehicle, as shown.

DESCRIPTION

FIG. 1 is a perspective view of the top surface of the roof light for vehicle;
 FIG. 2 is a perspective view of the bottom surface of the roof light for vehicle;
 FIG. 3 is a front elevation view of the roof light for vehicle;
 FIG. 4 is a front elevation view of the roof light for vehicle;
 FIG. 5 is side elevation views of the opposing ends of the roof light for vehicle;
 FIG. 6 is a top plan view of the roof light for vehicle; and,
 FIG. 7 is a bottom plan view of the roof light for vehicle.
 The structural elements shown with section lines in FIGS. 1-4, 6, and 7 are provided to indicate that the roof light for vehicle is modular.
 The structural elements shown in dotted lines in the Figures indicate elements that form no part of the claimed invention.

1 Claim, 6 Drawing Sheets

- (56) **References Cited**
U.S. PATENT DOCUMENTS
D345,316 S * 3/1994 Green D10/114.4
D362,317 S * 9/1995 Payne D26/28
D512,790 S * 12/2005 Handsaker D26/28
D549,367 S * 8/2007 Hovind D26/28
D644,135 S * 8/2011 Cai D10/114.4
D674,125 S * 1/2013 Davies D26/28



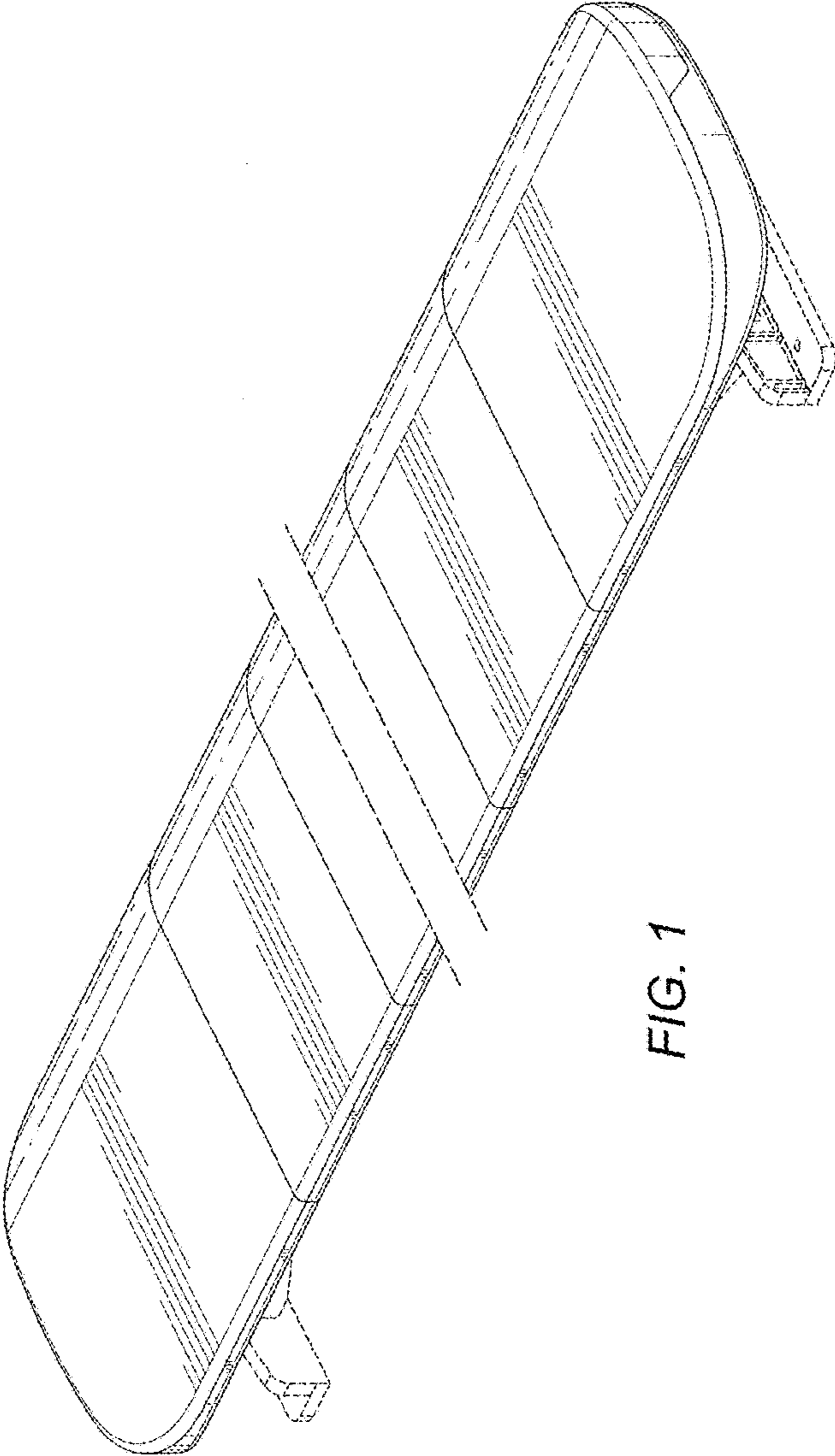


FIG. 1

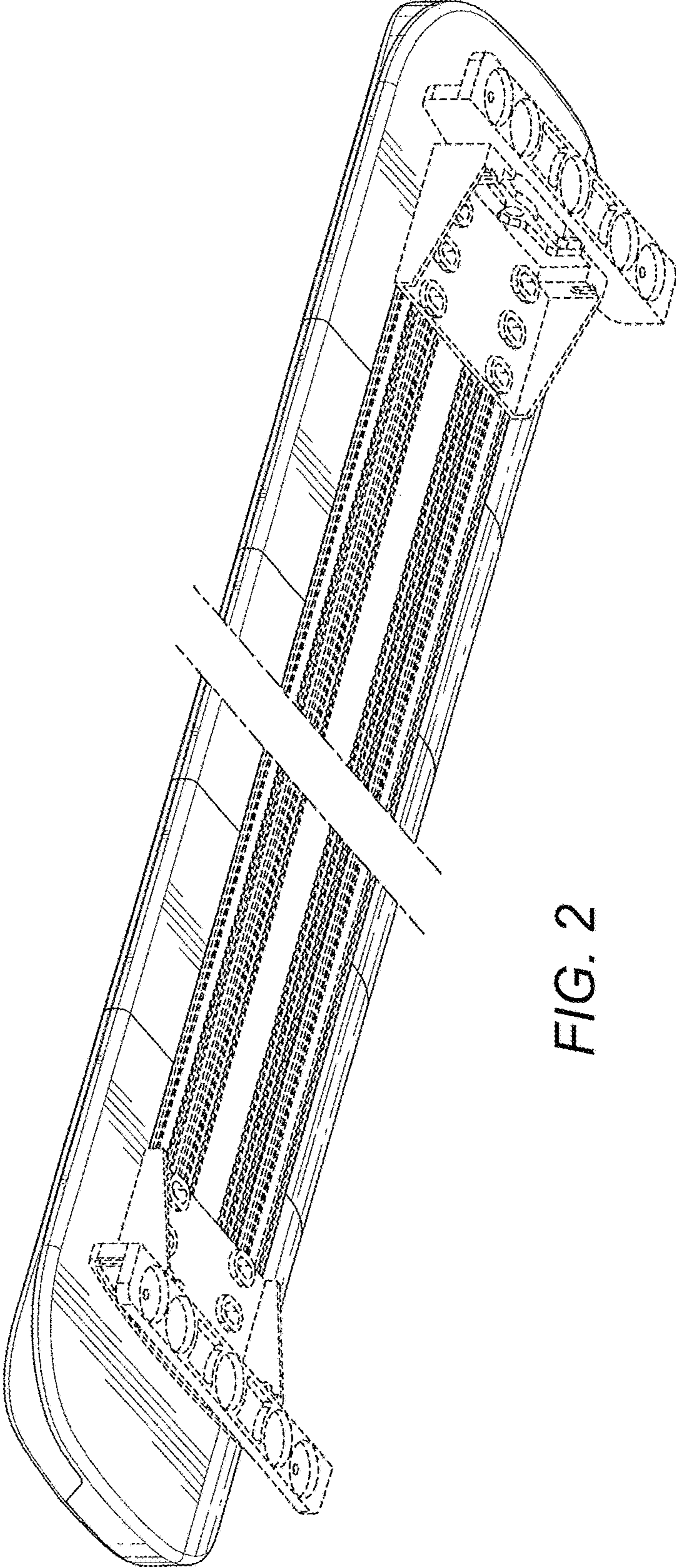


FIG. 2

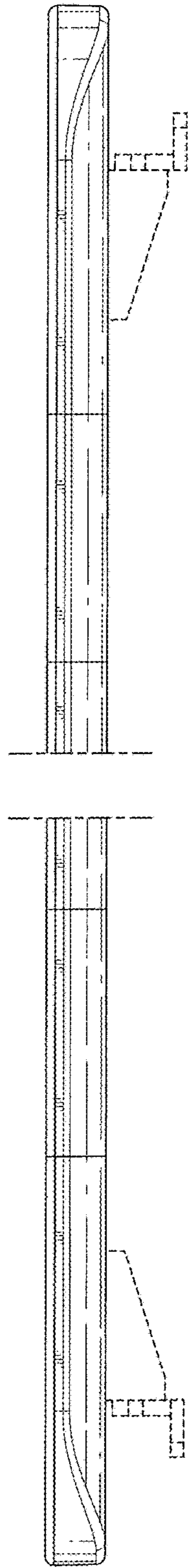


FIG. 3

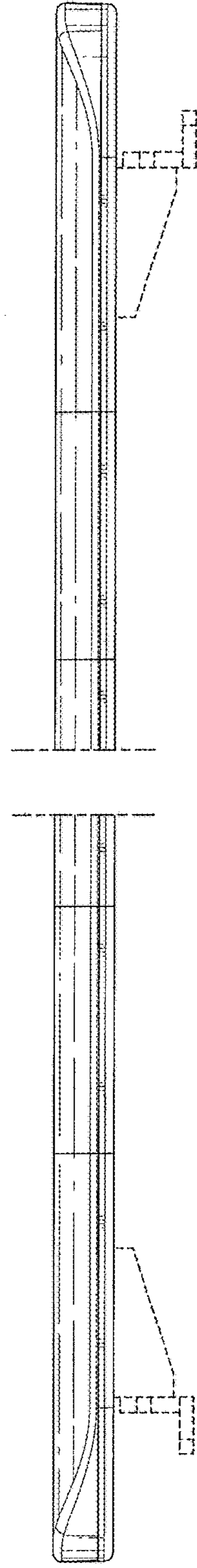


FIG. 4

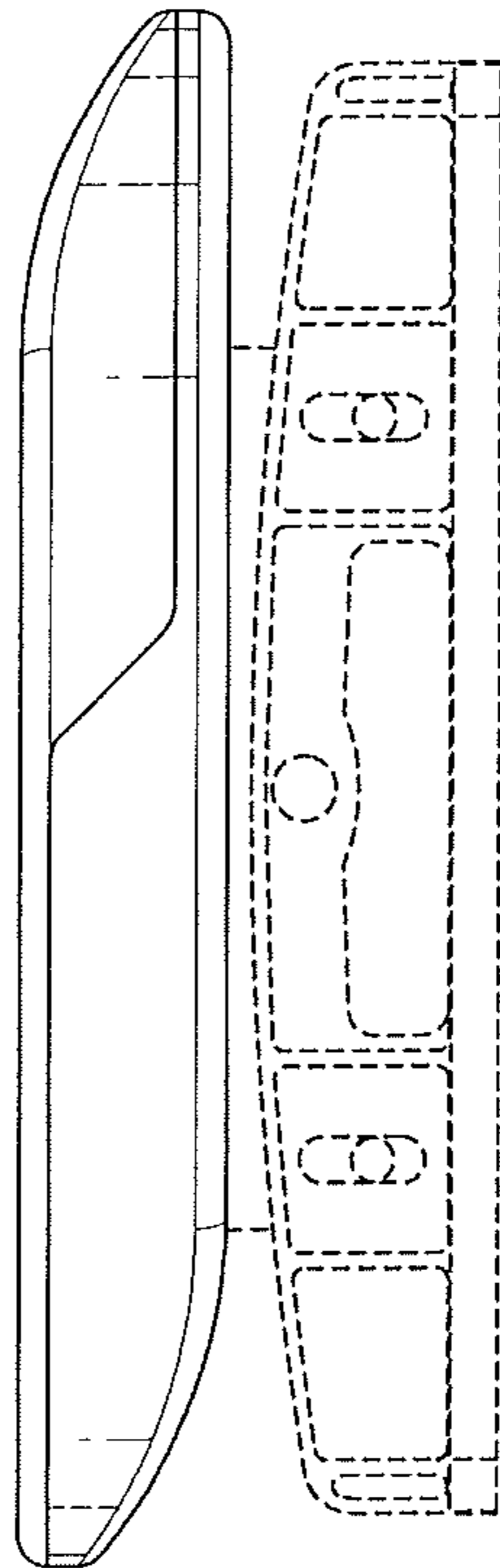


FIG. 5

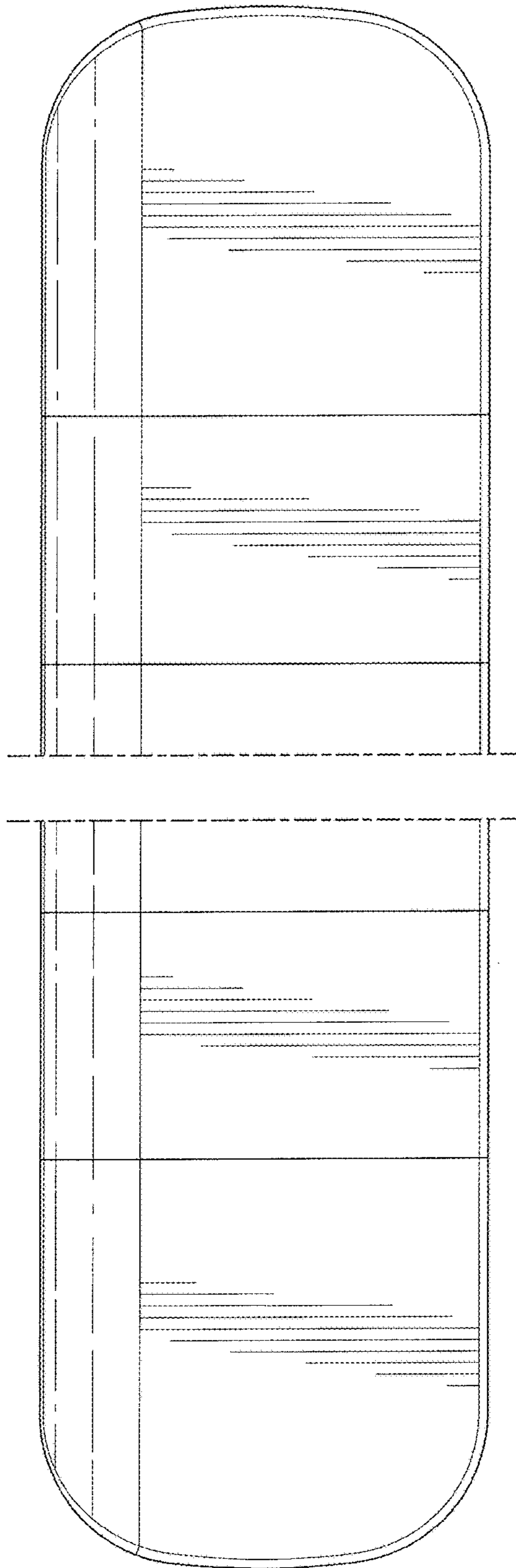


FIG. 6

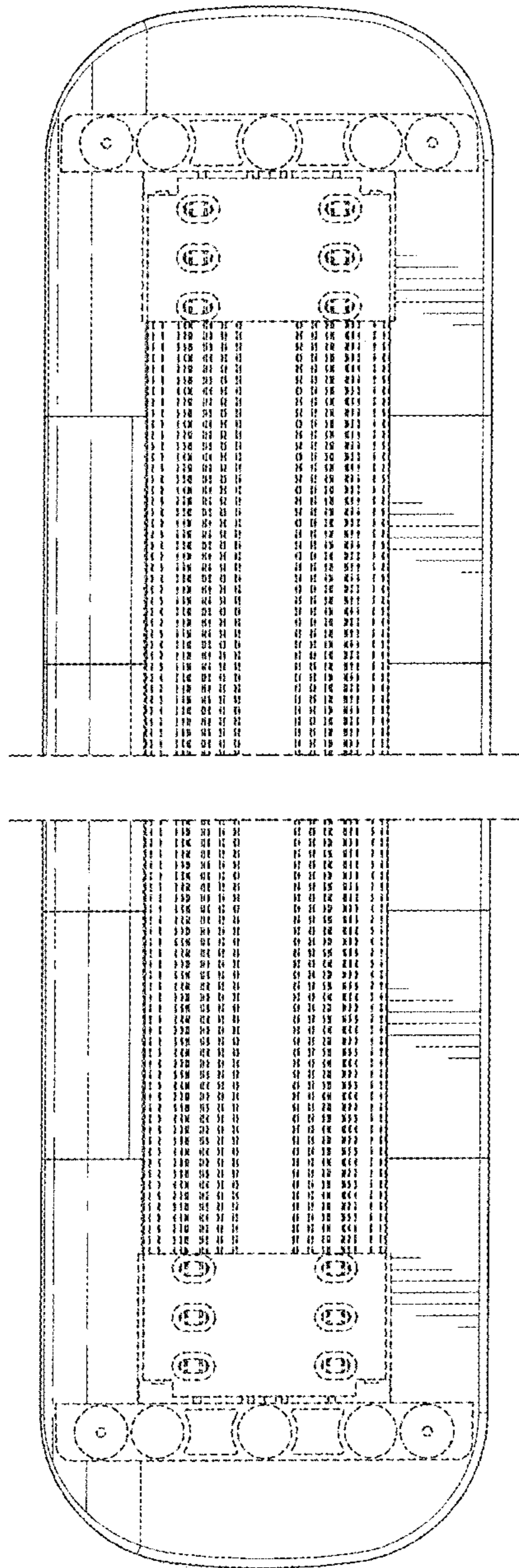


FIG. 7