



US00D789567S

(12) **United States Design Patent** (10) **Patent No.:** **US D789,567 S**
Katterheinrich et al. (45) **Date of Patent:** **** Jun. 13, 2017**

(54) **LIGHT FIXTURE**

internet URL: www.pondusa.com and verafied from URL: zwww.tineye.com/searche06dfb5423b0c2b5f76e920c03c741350b4f1e3a/?page=2&sort=score&order=desc.*

(71) Applicant: **TARGET BRANDS, INC.**,
Minneapolis, MN (US)

(Continued)

(72) Inventors: **Kent D. Katterheinrich**, Shoreview,
MN (US); **Elizabeth Kern**,
Minneapolis, MN (US)

Primary Examiner — Cathron Brooks
Assistant Examiner — Richard Kearney

(73) Assignee: **TARGET BRANDS, INC.**,
Minneapolis, MN (US)

(74) *Attorney, Agent, or Firm* — JoAnn M. Seaton;
Griffiths & Seaton PLLC

(**) Term: **15 Years**

(57) **CLAIM**

The ornamental design for a light fixture, as shown and described.

(21) Appl. No.: **29/563,112**

DESCRIPTION

(22) Filed: **May 2, 2016**

This application is related to U.S. patent application Ser. No. 15/144,404, filed on May 2, 2016.

(51) **LOC (10) Cl.** **26-04**

(52) **U.S. Cl.**
USPC **D26/2**

(58) **Field of Classification Search**
USPC D26/23–27, 37–40, 42, 43, 60, 67, 70,
D26/72, 74–84, 88, 89, 91, 93, 113,
(Continued)

FIG. 1 is a top, front perspective view of a light fixture showing our new design;

FIG. 2 is a front view thereof;

FIG. 3 is a rear view thereof;

FIG. 4 is a right side view thereof;

FIG. 5 is a left side view thereof;

FIG. 6 is a top view thereof; and

FIG. 7 is a bottom view thereof.

FIG. 8 is a top, front perspective view of the light fixture of FIG. 1 showing our new design with additional unclaimed subject matter.

FIG. 9 is a top, front perspective view of the light fixture of FIG. 1 showing our new design with additional unclaimed subject matter; and,

FIG. 10 is front view thereof.

The broken lines shown in the drawings illustrate portions of the light fixture that form no part of the claimed design. The broken lines showing environmental subject matter in FIGS. 8-10 form no part of the claimed design and the short dash-long dash broken line shown at the top portion of the cylindrical stem illustrates a boundary line and forms no part of the claimed design.

(56) **References Cited**

U.S. PATENT DOCUMENTS

1,384,578 A 7/1921 Tomlinson
1,982,204 A * 11/1934 Doane F21S 8/06
362/307

(Continued)

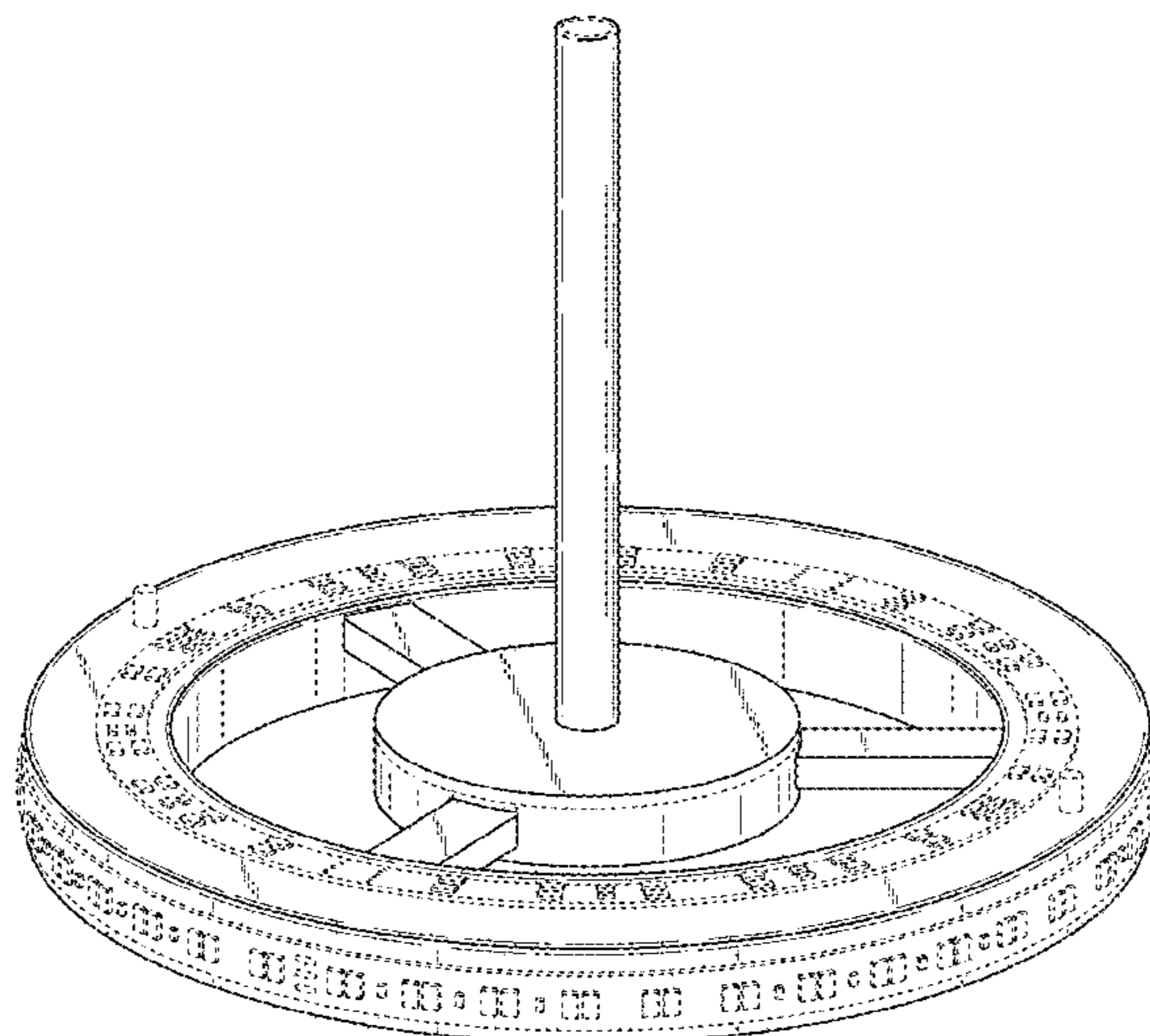
FOREIGN PATENT DOCUMENTS

DE 102007050909 A1 5/2009
GB 586946 4/1947

OTHER PUBLICATIONS

Little Giant Ring Jet Fountain Nozzle (available online Sep. 3, 2010) Retrieved from the internet Apr. 14, 2017, retrieved from the

1 Claim, 9 Drawing Sheets



(58) **Field of Classification Search**

USPC D26/118–120, 122, 135–138, 140–144,
 D26/152, 153, 154; D10/111–114.9;
 D13/134–136; D14/473; D25/126, 129;
 D24/209, 210; D28/17, 18, 73
 CPC F21S 2/00; F21S 4/20; F21S 8/00; F21S
 8/02; F21S 8/026; F21S 8/031; F21S
 8/035; F21S 8/037; F21S 6/002; F21S
 6/003; F21S 6/004; F21S 6/005; F21S
 6/006; F21S 6/008; F21V 21/02; F21V
 21/08; F21W 2131/30

See application file for complete search history.

D688,405 S * 8/2013 Kim D26/72
 D689,212 S * 9/2013 Chyan D26/2
 8,550,655 B1 10/2013 Wang
 8,616,739 B2 12/2013 Plunk
 8,678,611 B2 3/2014 Chu et al.
 D709,235 S 7/2014 Chu
 D713,166 S * 9/2014 Miller D6/521
 8,858,032 B2 10/2014 Van De Ven et al.
 8,876,331 B2 11/2014 Waring
 D718,892 S 12/2014 Kim et al.
 D770,673 S * 11/2016 Hasan D26/138
 2015/0176823 A1* 6/2015 Leshniak F21V 21/14
 362/235

(56) **References Cited**

U.S. PATENT DOCUMENTS

2,626,346 A 1/1953 Stoller
 2,697,777 A * 12/1954 Rosa F21V 19/0075
 248/201
 2,728,574 A * 12/1955 Lyles A63G 1/00
 472/29
 2,878,425 A 3/1959 Kudoh
 3,233,361 A * 2/1966 Conaghan A63H 5/00
 12/142 R
 D208,788 S * 10/1967 Lohr D12/175
 4,192,561 A * 3/1980 Gunn B65D 25/02
 206/397
 4,237,523 A 12/1980 Moote
 4,244,013 A * 1/1981 Wotowiec F21S 6/002
 362/216
 D259,961 S * 7/1981 Wotowiec D26/26
 D261,049 S 9/1981 Wotowiec et al.
 D261,050 S 9/1981 Wotowiec et al.
 D261,057 S 9/1981 Wotowiec et al.
 D261,058 S 9/1981 Wotowiec et al.
 D261,059 S 9/1981 Wotowiec et al.
 D261,060 S * 9/1981 Wotowiec D26/79
 D267,684 S * 1/1983 Lander D6/521
 4,392,076 A * 7/1983 Ishler F21V 19/0075
 313/315
 D271,605 S * 11/1983 Esposito D21/771
 4,420,799 A * 12/1983 Miller F21V 5/02
 362/216
 D378,145 S 2/1997 Cohon
 D388,529 S 12/1997 Parker
 D398,689 S * 9/1998 Cooper D21/764
 D401,004 S 11/1998 Eusterbrock
 D439,285 S * 3/2001 Chen D21/563
 6,280,065 B1 8/2001 Denningham
 6,776,507 B2 8/2004 Chen
 D502,786 S * 3/2005 Cheung D28/20
 D580,090 S * 11/2008 Kubler D26/105
 D580,580 S * 11/2008 Lodhie D26/67
 D589,645 S * 3/2009 Citterio D26/107
 7,614,762 B2 11/2009 Tseng
 8,287,161 B2 10/2012 Zhang et al.
 D672,076 S * 12/2012 Guercio D26/70
 8,360,611 B2 1/2013 Luo et al.
 8,454,191 B2 6/2013 Chang

OTHER PUBLICATIONS

LED Fountain Ring (available online Apr. 13, 2016) Retrieved from the internet Apr. 14, 2017, retrieved from the internet URL: www.saferain.com.*
 Calais LED Light Ring (available online Jun. 26, 2012) Retrieved from the internet Apr. 14, 2017, retrieved from the internet URL: www.tineye.com/search/d5cf0e3e1a488b2ed927b89aab78d7df6c037819/?extension_ver=*
 “144 LED Bulb Microscope Ring Light Illuminator Adjustable Bright Lamp + Adapter”, printed from www.ebay.com/tm/144-LED-Bulb-Microscope-Ring-Light-Illuminator-Adjustable-Bright-Lamp-Adapter-/161465313464, publicly available at least as early as Jul. 10, 2015 (4 pages).
 “Big Dipper Arc Floor Lamp”, printed from www.cb2.com/big-dipper-arc-floor-lamp/s126317?a=501&adpos...&device=c&matchtype=&network=g&gclid=CPHHg9u9jccCFQIEaQodsVcKrA, publicly available at least as early as Aug. 3, 2015 (2 pages).
 “The Mother Board Lanboy Apocalypse”, printed from www.motherboards.org/forums/viewtopic.php?t=119981, posted on Apr. 12, 2012 (20 pages).
 “Spider Lamp Shade”, printed from www.tustinelectrical.us/tag/spider-lamp-shade, publicly available at least as early as Nov. 20, 2015 (8 pages).
 “Milton Green Star Sophia Arc Floor Lamp”, printed from www.allmodern.com/Milton-Green-Star-Sophia-Arc-Floor-Lam...1904226620&PillD%5B%5D=13579111&gclid=CLXIzsy9jccCFQMbaQod8cEKQg, publicly available at least as early as Aug. 3, 2015 (5 pages).
 “Make an Iron Man Arc Reactor”, printed from www.instructables.com/id/Make-an-Iron-Man-Arc-Reactor/step4/Make-the-top-ring-assembly/, publicly available at least as early as Aug. 2009 (8 pages).
 “LED Underwater Light, Submersible LED Light Ring, LED Garden Stick Light Supplier & Application Information”, printed from www.mainlandmart.com/ledmart.html, publicly available at least as early as Aug. 3, 2015 (15 pages).
 “The Ten-Minute Ring Light”, printed from www.dansdata.com/ringlight.htm, posted on Nov. 1, 2007 (13 pages).

* cited by examiner

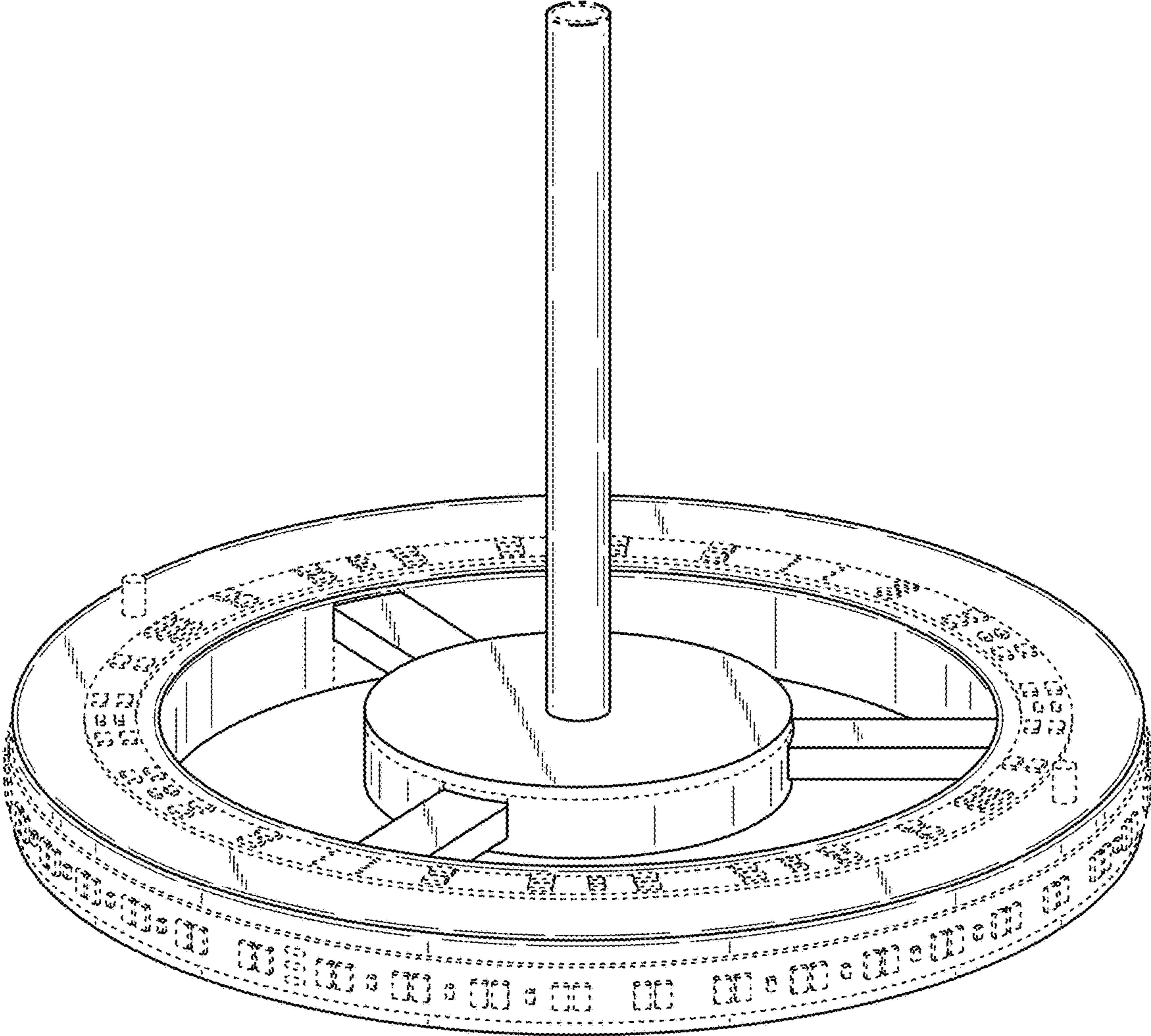


FIG. 1

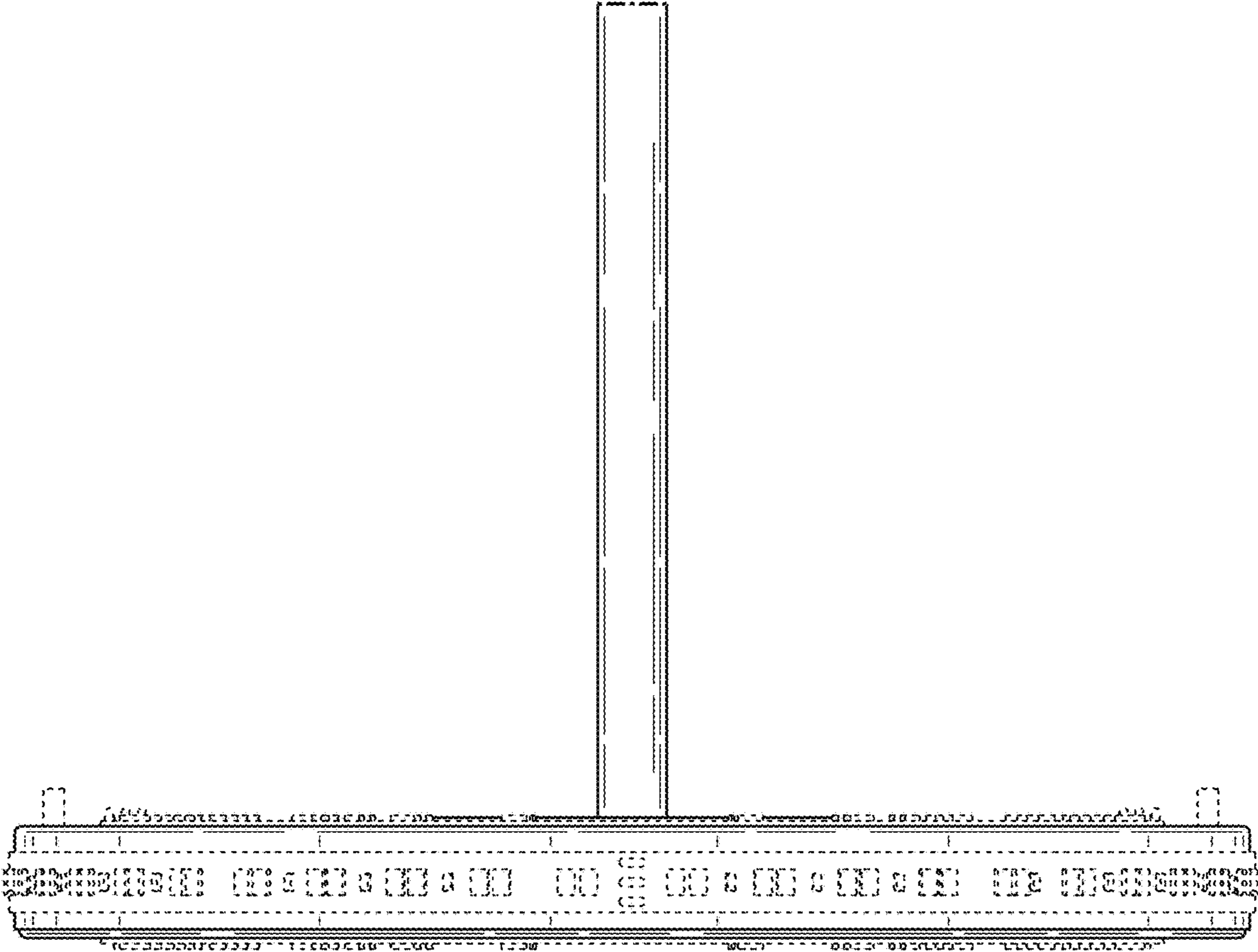


FIG. 2

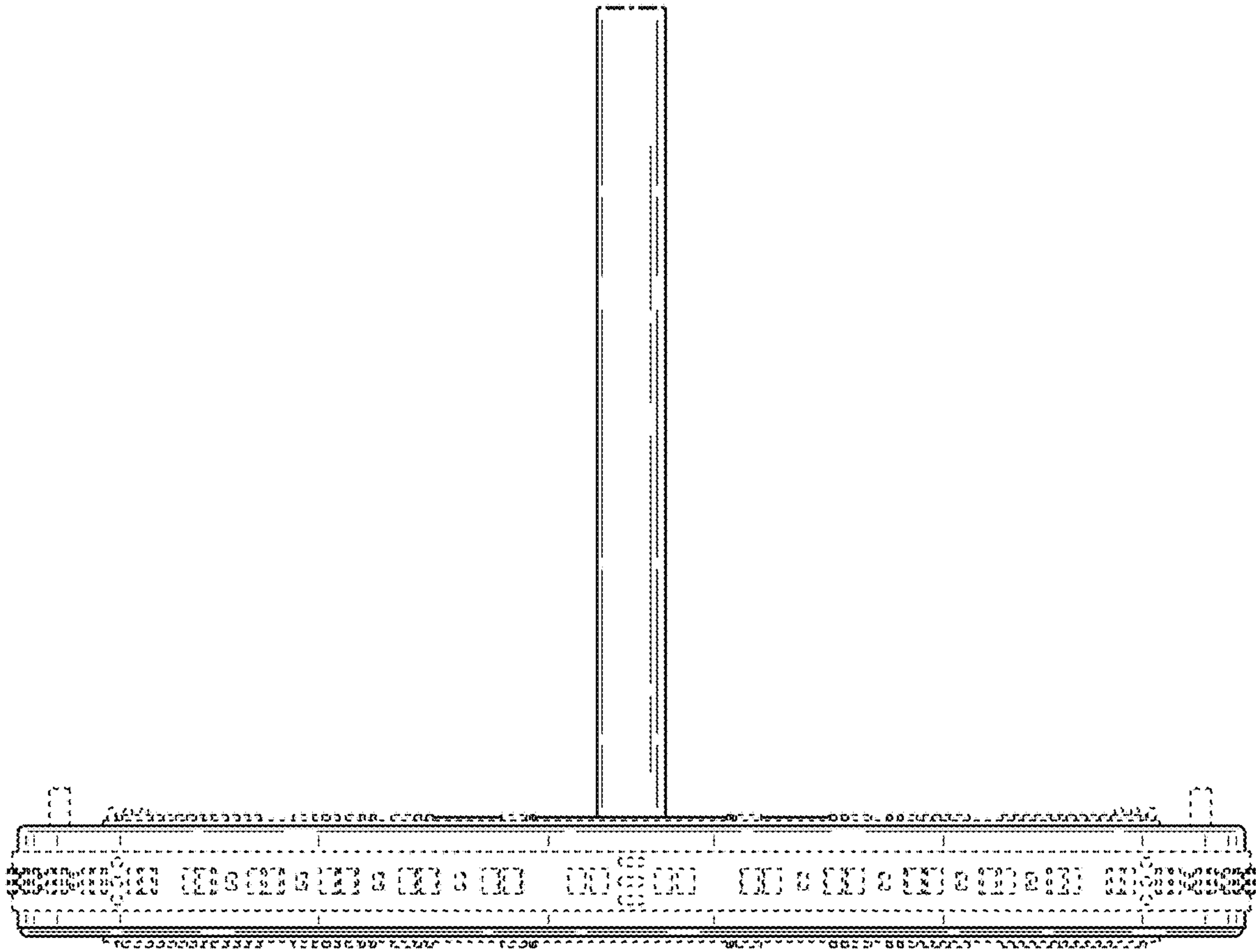


FIG. 3

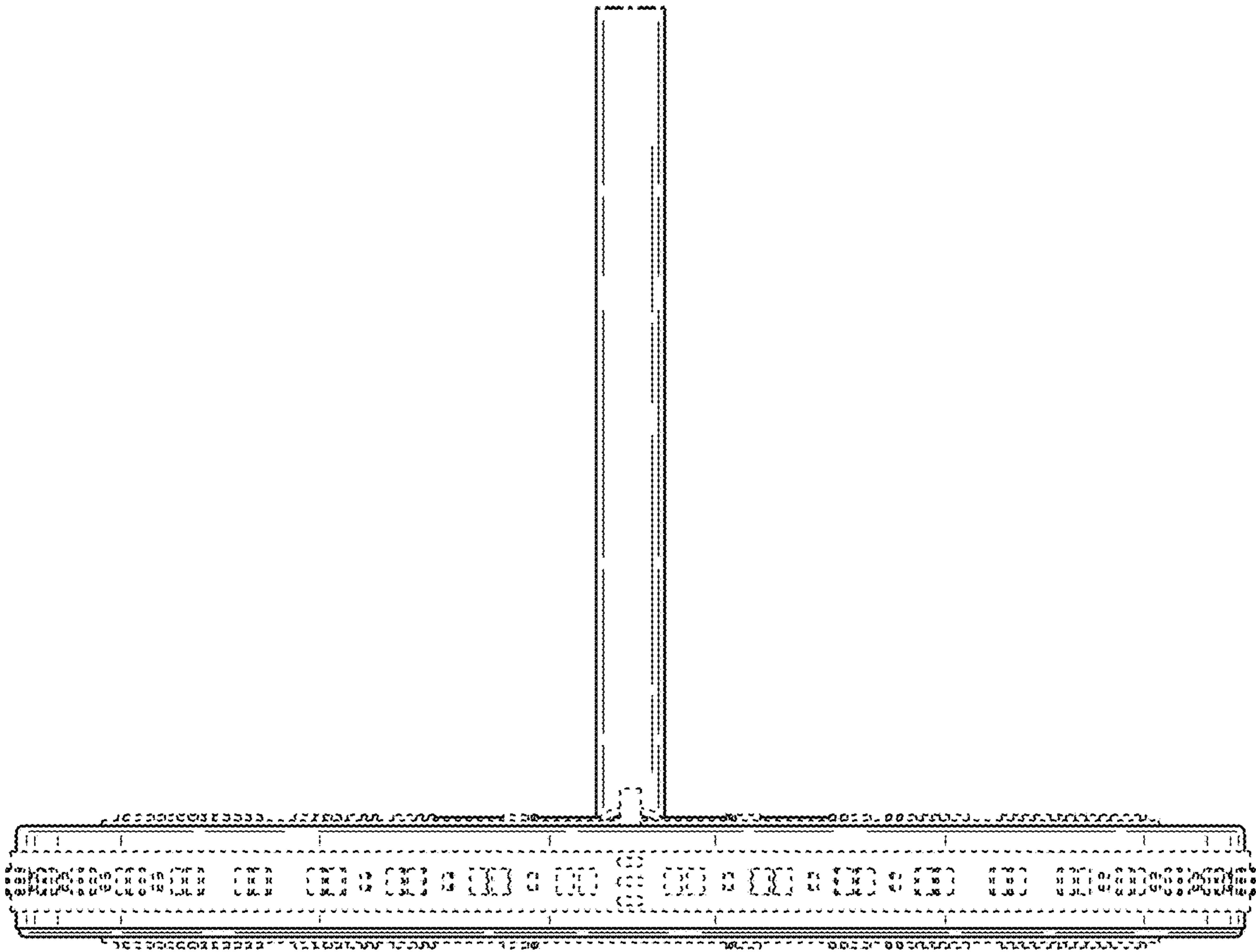


FIG. 4

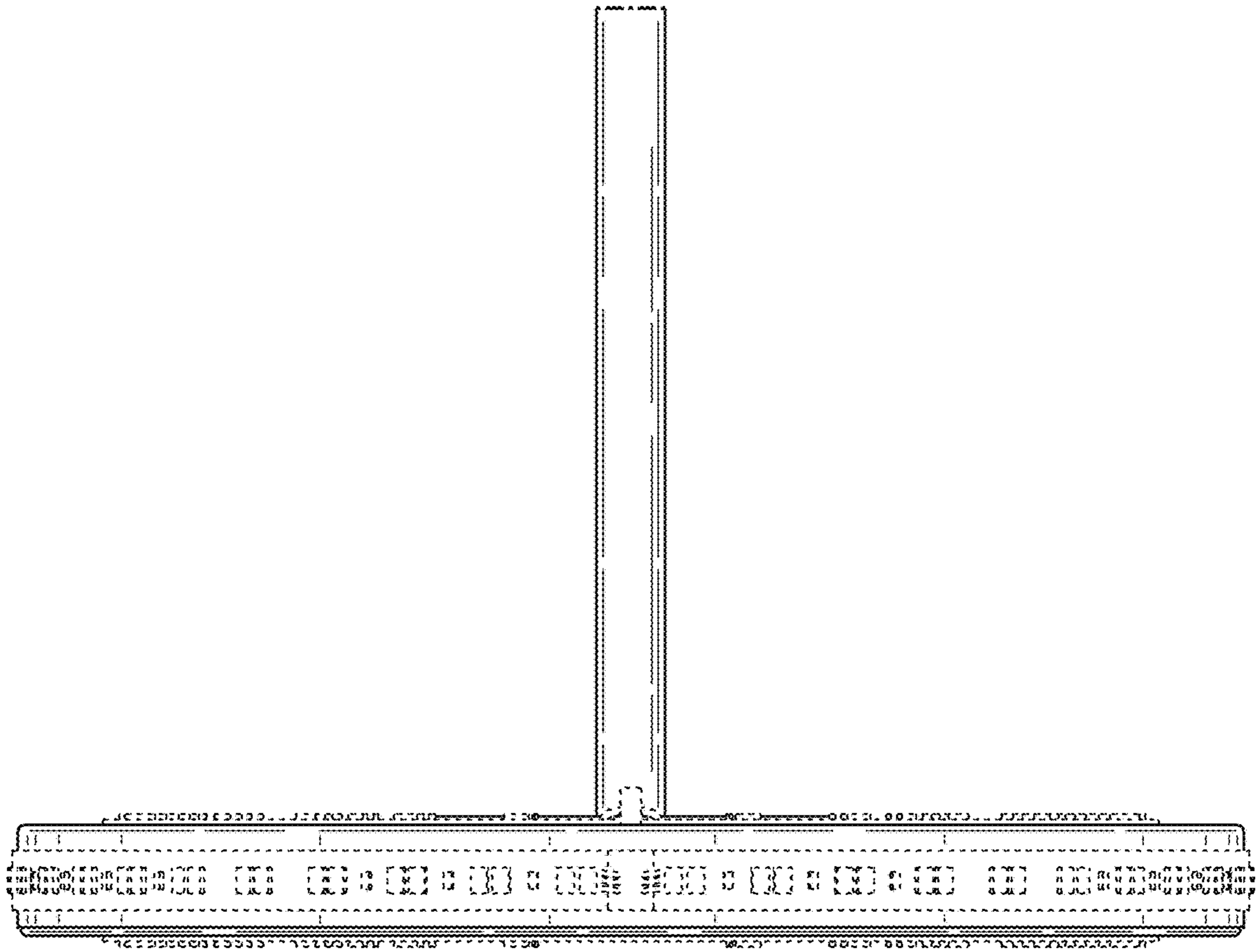


FIG. 5

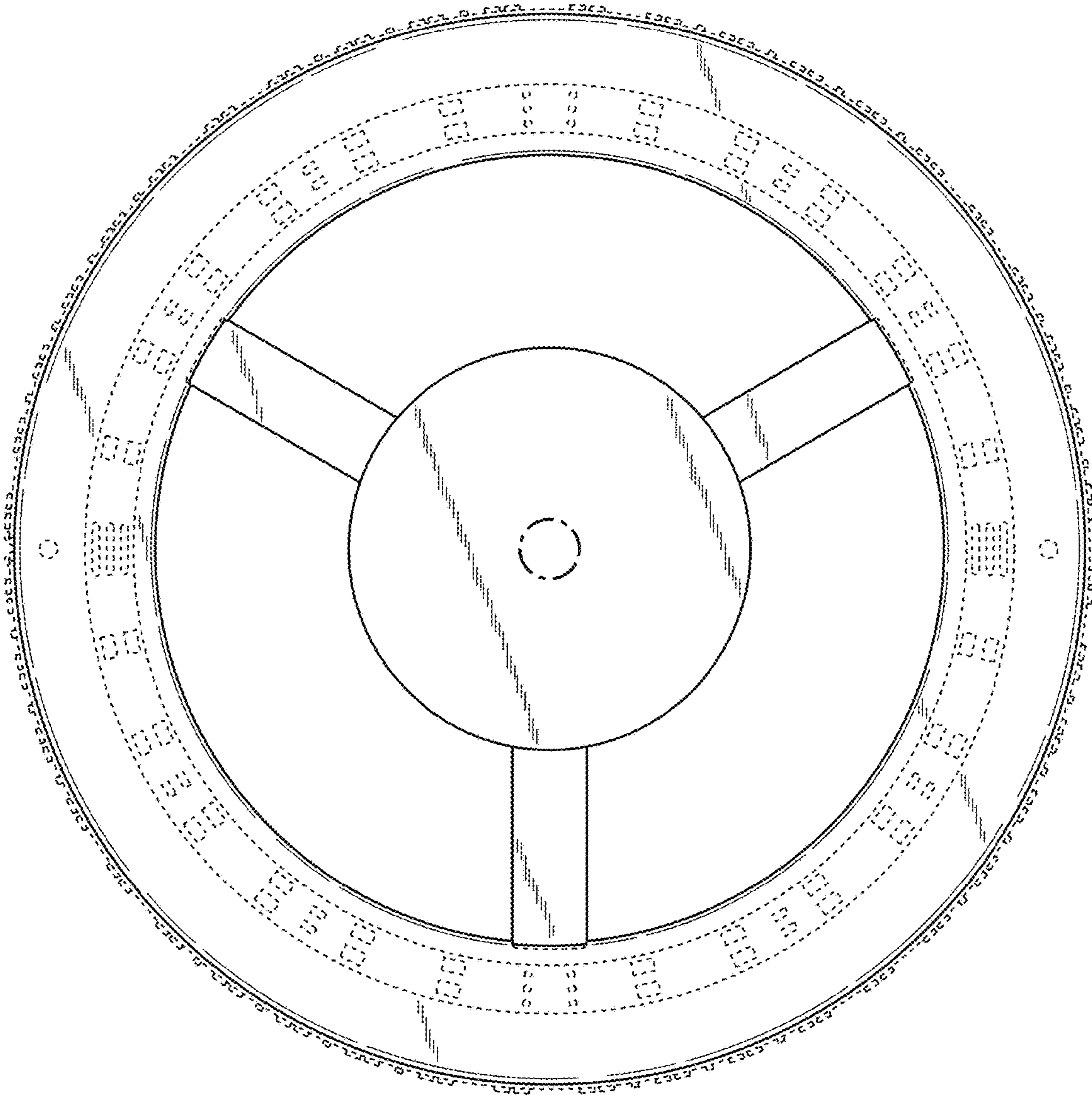


FIG. 6

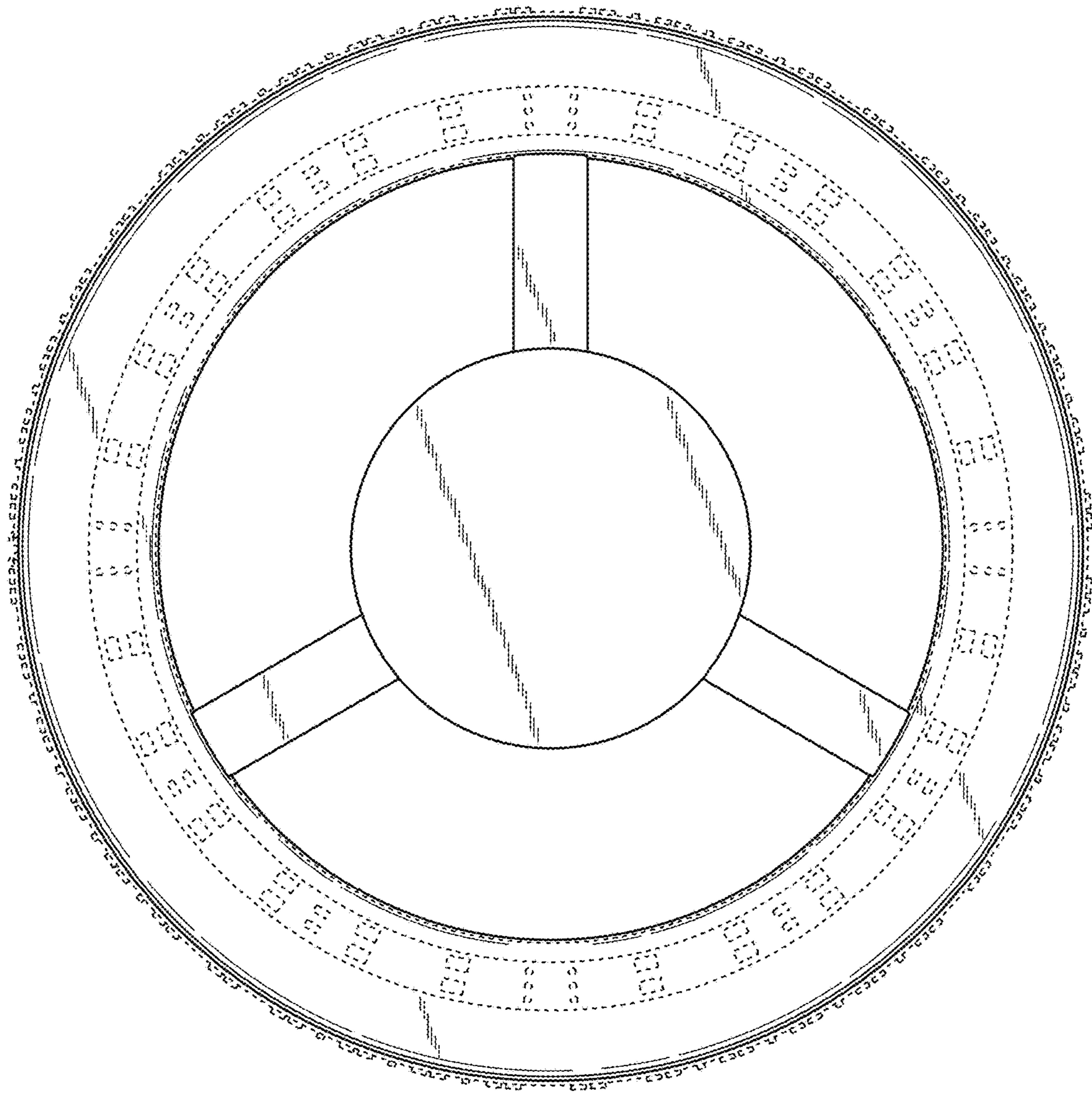


FIG. 7

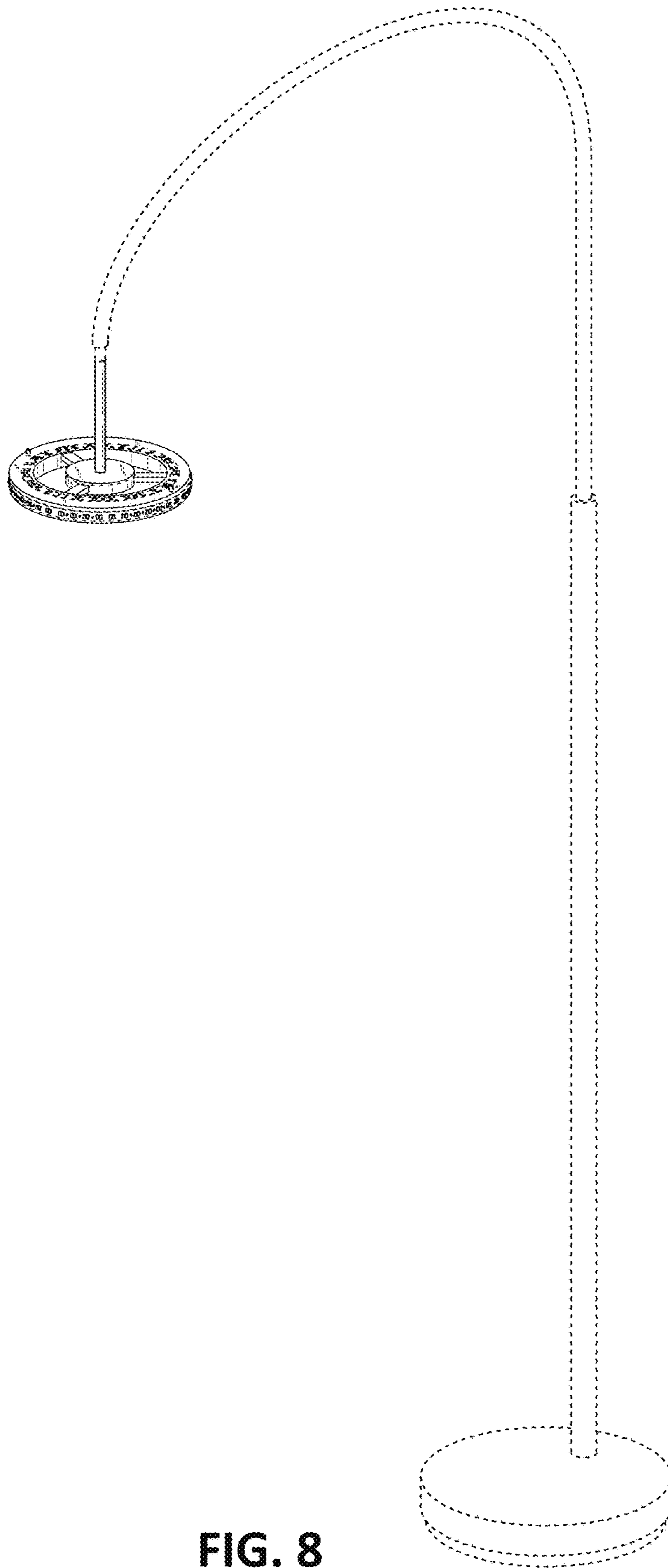


FIG. 8

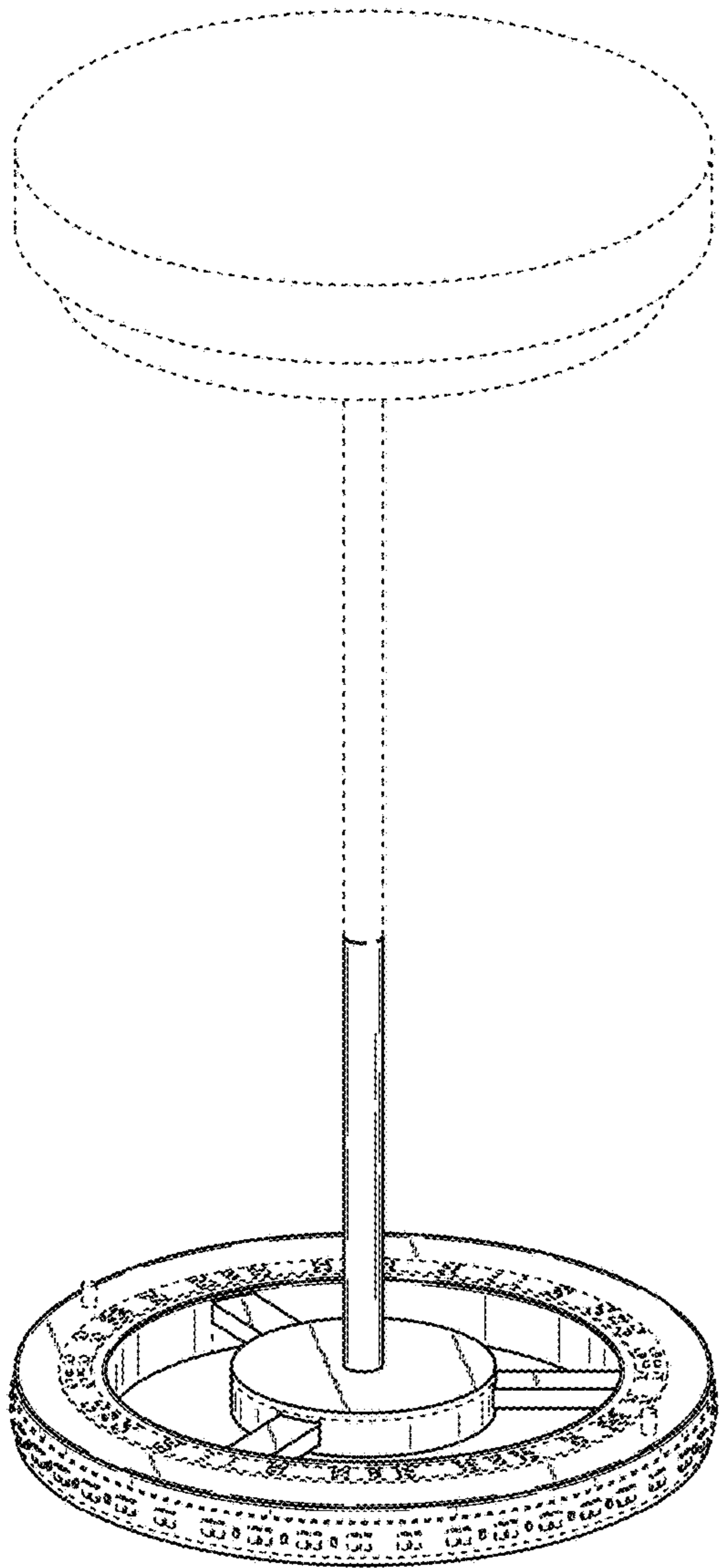


FIG. 9

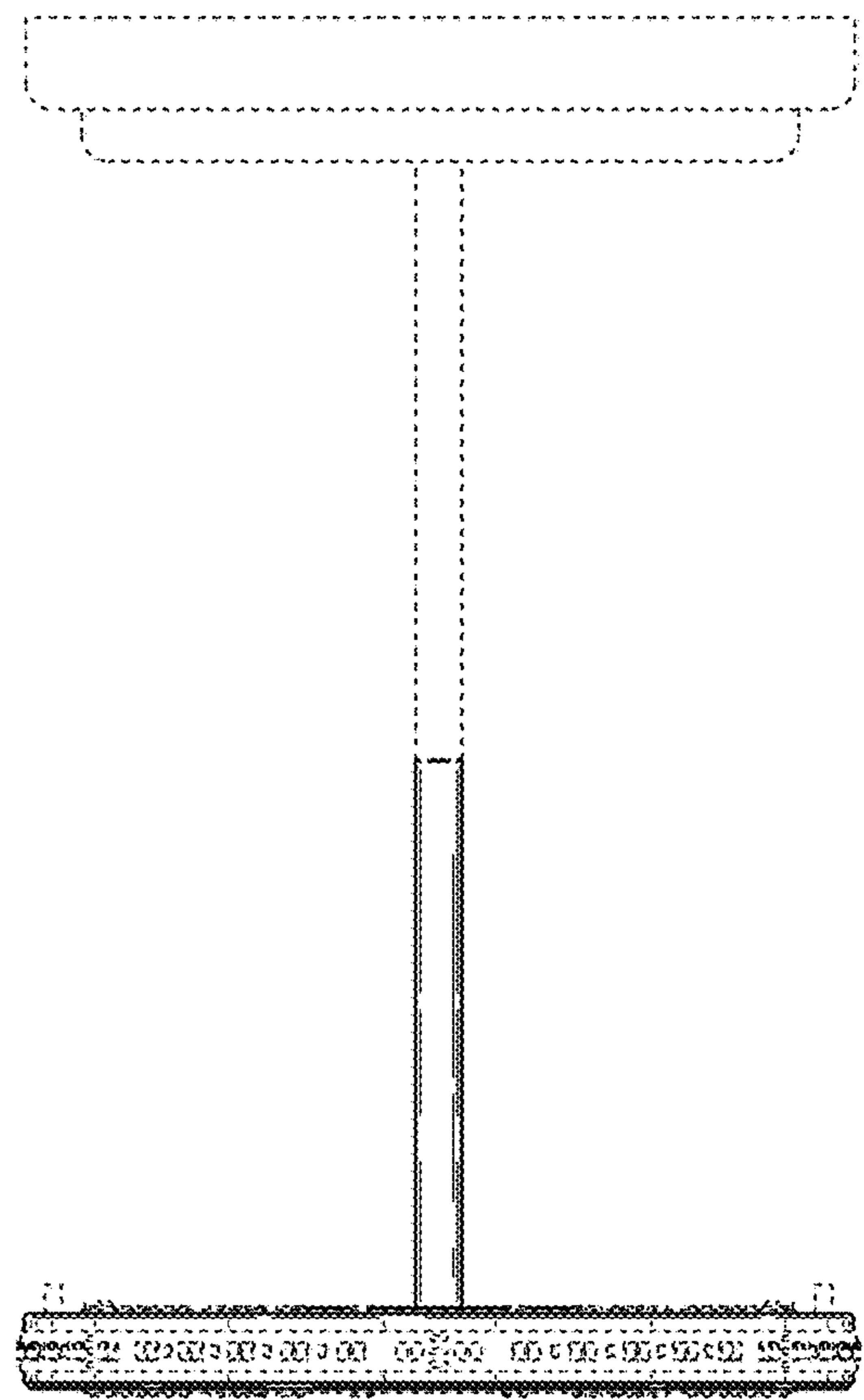


FIG. 10