



US00D789564S

(12) **United States Design Patent**
Lopez

(10) **Patent No.:** **US D789,564 S**

(45) **Date of Patent:** **** Jun. 13, 2017**

- (54) **ROOF ANCHOR**
- (71) Applicant: **WERNER CO.**, Greenville, PA (US)
- (72) Inventor: **Ivan D. Lopez**, Hermitage, PA (US)
- (73) Assignee: **WERNER CO.**, Greenville, PA (US)
- (**) Term: **15 Years**
- (21) Appl. No.: **29/558,263**
- (22) Filed: **Mar. 16, 2016**
- (51) **LOC (10) Cl.** **25-99**
- (52) **U.S. Cl.**
USPC **D25/199; D8/354**
- (58) **Field of Classification Search**
USPC D25/199; D8/325, 354, 371, 380, 381,
D8/349, 367
CPC A62B 35/0068; A62B 35/04; E04D 13/12;
E04D 15/00; E04G 21/3261; E04G
21/328; E04G 21/3214; E04G 21/3276;
E04G 5/041; E04G 5/043; E04G 3/26;
E04B 1/38; Y02E 10/47
See application file for complete search history.

5,054,576 A	10/1991	Glynn	
5,074,350 A *	12/1991	Carter E06B 9/323 16/94 R
D323,777 S *	2/1992	Knox, III 248/237
5,137,112 A	8/1992	Nichols	
D337,042 S *	7/1993	Lin D8/349
5,240,216 A *	8/1993	Lin E05D 15/38 16/94 R
5,287,944 A	2/1994	Woodyard	
5,361,558 A	11/1994	Thornton et al.	
5,553,685 A	9/1996	Cook	
D376,751 S *	12/1996	Hanson D12/162
5,636,704 A	6/1997	Castaneda	
5,687,535 A	11/1997	Rohlf	
5,730,407 A	3/1998	Ostrobrod	
D394,632 S *	5/1998	Miller D12/223
5,829,203 A	11/1998	Ealer, Sr.	
5,845,452 A	12/1998	Pantano	
5,878,534 A	3/1999	Gleave	

(Continued)

Primary Examiner — Vy Koenig
Assistant Examiner — Kimberly Barnes
 (74) *Attorney, Agent, or Firm* — Eckert Seamans Cherin
 & Mellott, LLC; Nathaniel C. Wilks

(57) **CLAIM**

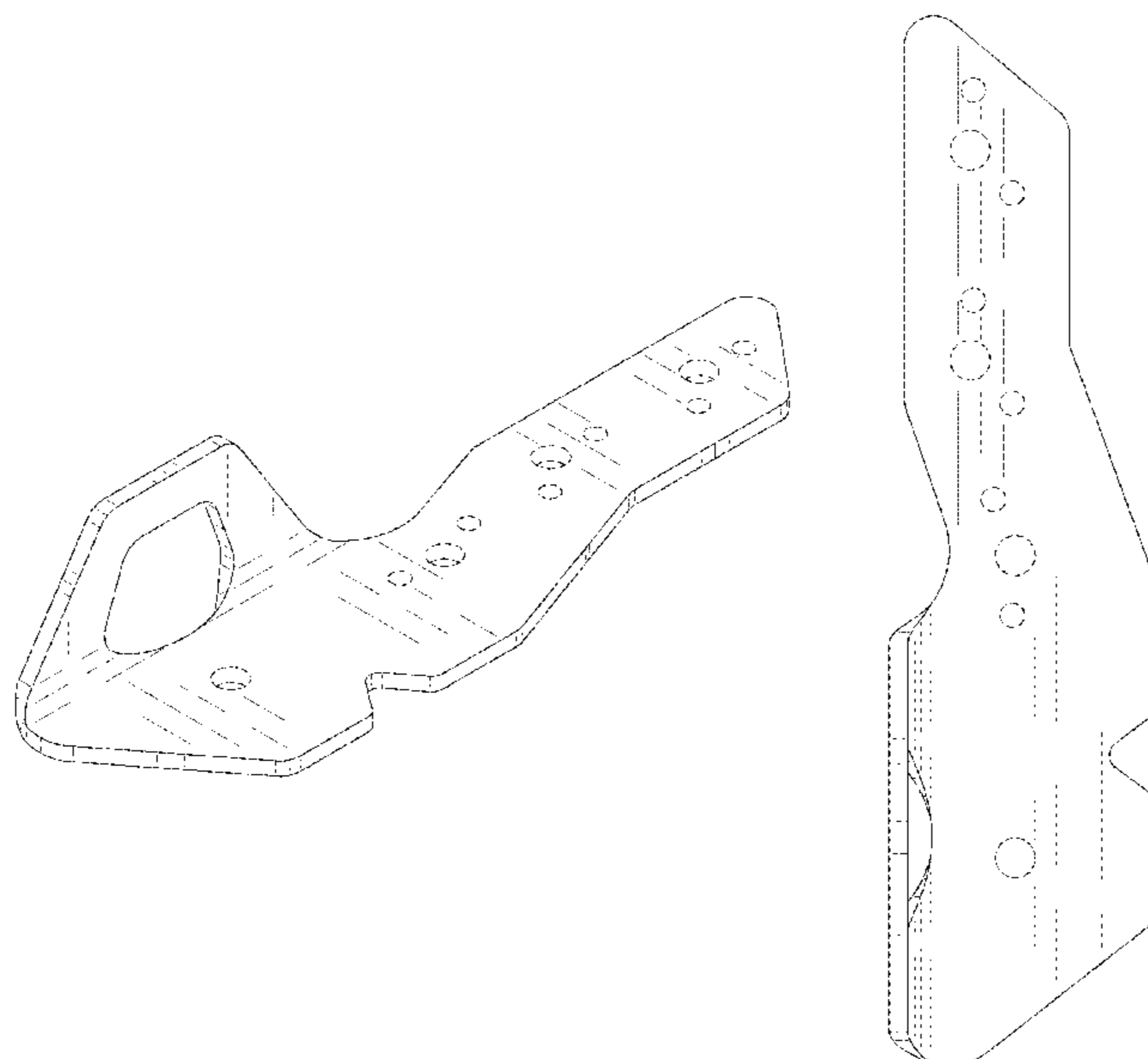
The ornamental design for a roof anchor, as shown and described.

DESCRIPTION

FIG. 1 is an upper front right perspective view of the roof anchor;
 FIG. 2 is a front elevational view thereof;
 FIG. 3 is a top plan view thereof;
 FIG. 4 is a left side elevational view thereof;
 FIG. 5 is a rear elevational view thereof;
 FIG. 6 is a right side elevational view thereof; and,
 FIG. 7 is a bottom plan view thereof.
 The broken lines illustrate portions of the roof anchor that form no part of the claimed design.

1 Claim, 7 Drawing Sheets

- (56) **References Cited**
U.S. PATENT DOCUMENTS
- 4,249,713 A 2/1981 Glynn et al.
- D260,758 S * 9/1981 Borugian D12/180
- 4,665,672 A 5/1987 Commins et al.
- 4,685,265 A 8/1987 Cooper
- 4,696,611 A 9/1987 Guay
- 4,723,128 A 2/1988 Gasque, Jr.
- 4,884,775 A * 12/1989 Fischer, Jr. E04G 3/26
182/45
- D306,133 S * 2/1990 Zupancic D8/354
- 4,942,943 A 7/1990 Flaherty
- D313,743 S * 1/1991 Mastrodicasa D8/381
- 5,011,106 A 4/1991 Cody
- 5,036,949 A 8/1991 Crocker et al.



(56)

References Cited

U.S. PATENT DOCUMENTS

5,896,719 A 4/1999 Thornton
 D422,483 S * 4/2000 Shea D8/354
 6,098,746 A 8/2000 Castaneda
 6,324,810 B1 * 12/2001 Thompson E04B 1/26
 248/292.12
 D476,217 S * 6/2003 Shea D8/354
 6,655,096 B1 * 12/2003 Pryor E04B 7/045
 52/712
 6,668,509 B1 12/2003 Krebs
 D508,676 S * 8/2005 Franks, Jr. D13/133
 7,380,373 B2 6/2008 Crookston
 D588,441 S * 3/2009 Clarke D8/354
 D594,312 S * 6/2009 Clarke D8/354
 7,665,248 B2 2/2010 Blackford
 7,854,421 B2 12/2010 Florent
 D668,423 S * 10/2012 Brockington D12/203
 8,292,245 B2 10/2012 Schindler et al.
 8,910,452 B2 * 12/2014 Noturno E04B 1/2608
 52/712
 9,003,715 B2 4/2015 Nurdogan
 9,039,049 B2 * 5/2015 Lahey F16M 13/02
 248/205.1
 D736,066 S * 8/2015 Hull D8/354
 D780,834 S * 3/2017 Eberlen D17/20
 2004/0007150 A1 1/2004 Gleave
 2004/0035993 A1 2/2004 Curtin
 2006/0059844 A1 3/2006 Ely
 2007/0272811 A1 11/2007 Baake
 2008/0271407 A1 11/2008 Snider et al.
 2012/0317892 A1 12/2012 Crookston
 2013/0067848 A1 3/2013 Ferris
 2014/0182218 A1 7/2014 O'Donnell
 2014/0251724 A1 * 9/2014 Nichols, Jr. A62B 35/0068
 182/3
 2015/0107184 A1 4/2015 Nichols, Jr.

* cited by examiner

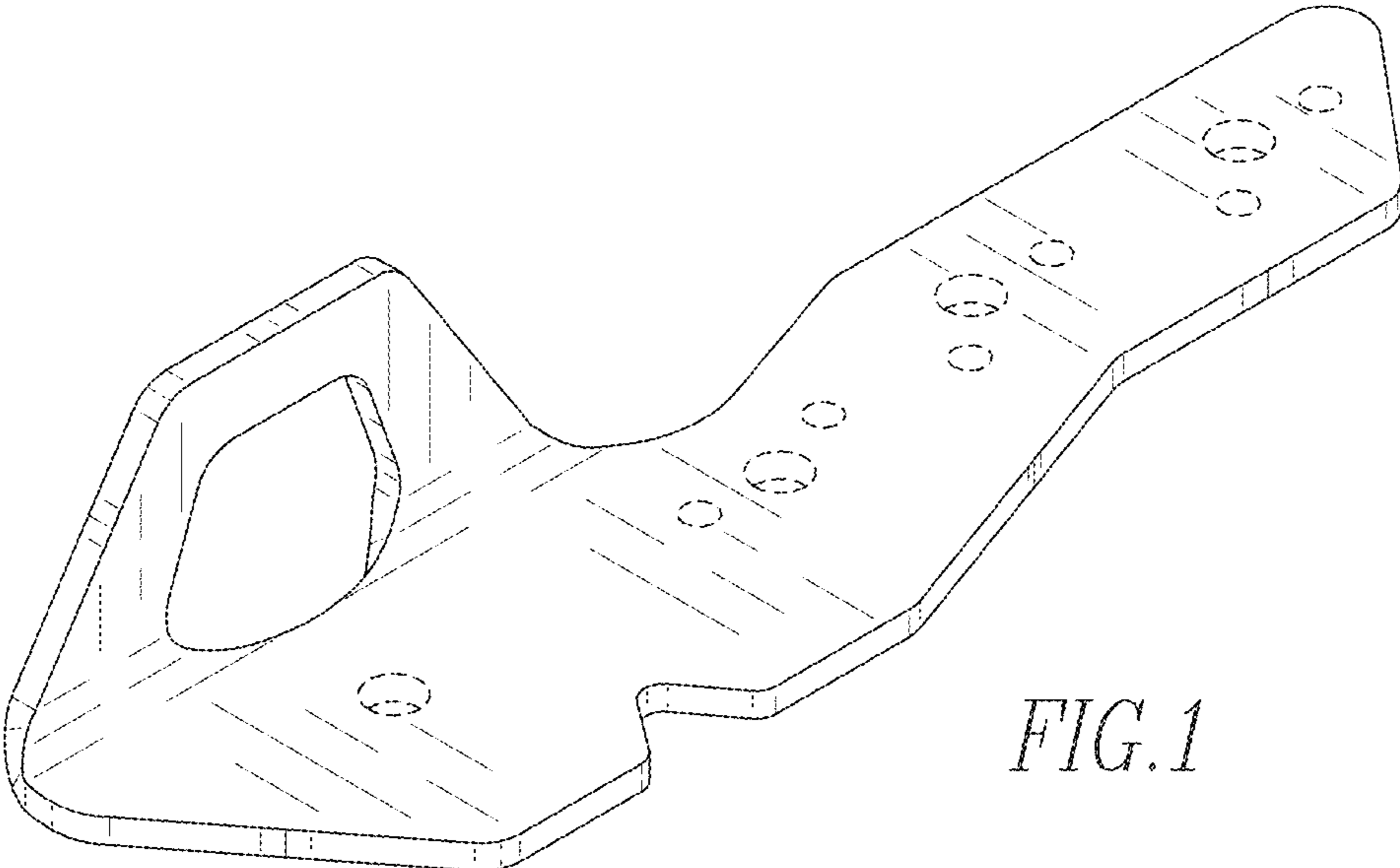


FIG. 1

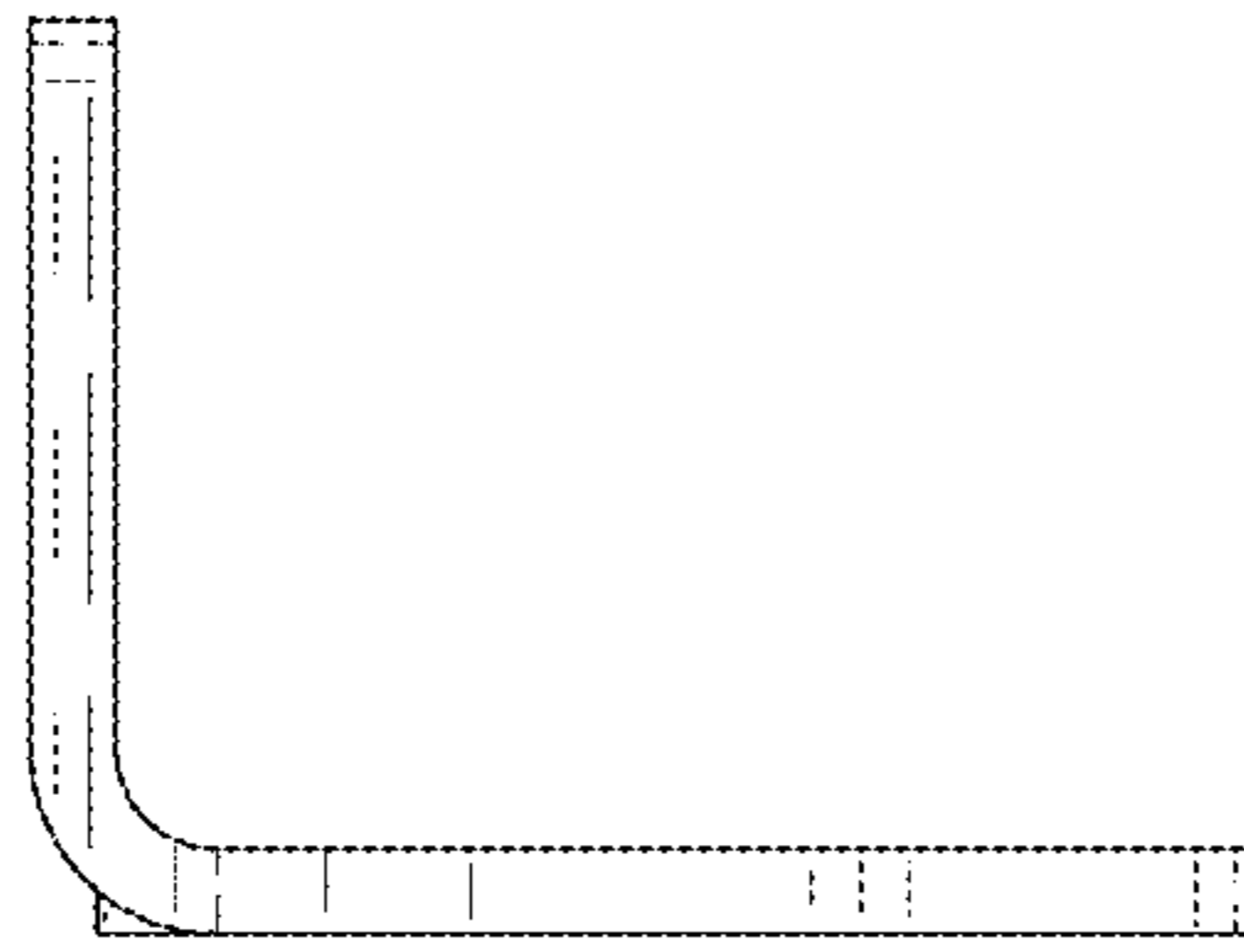


FIG. 2

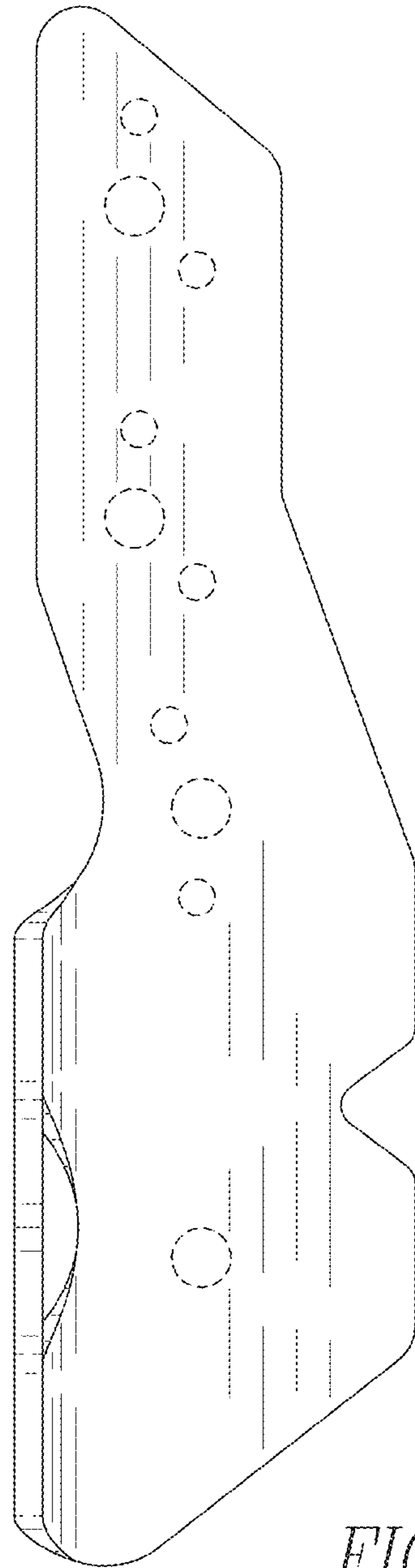


FIG. 3

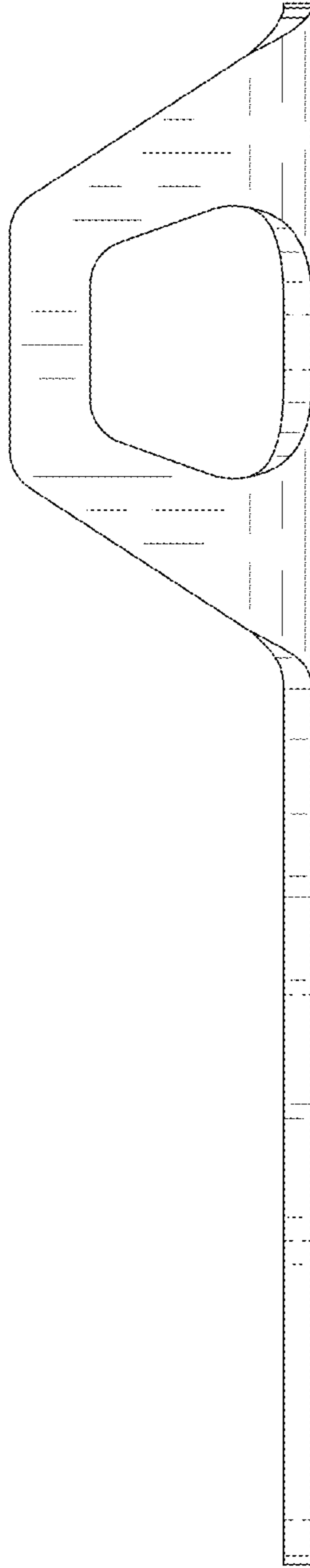


FIG. 4

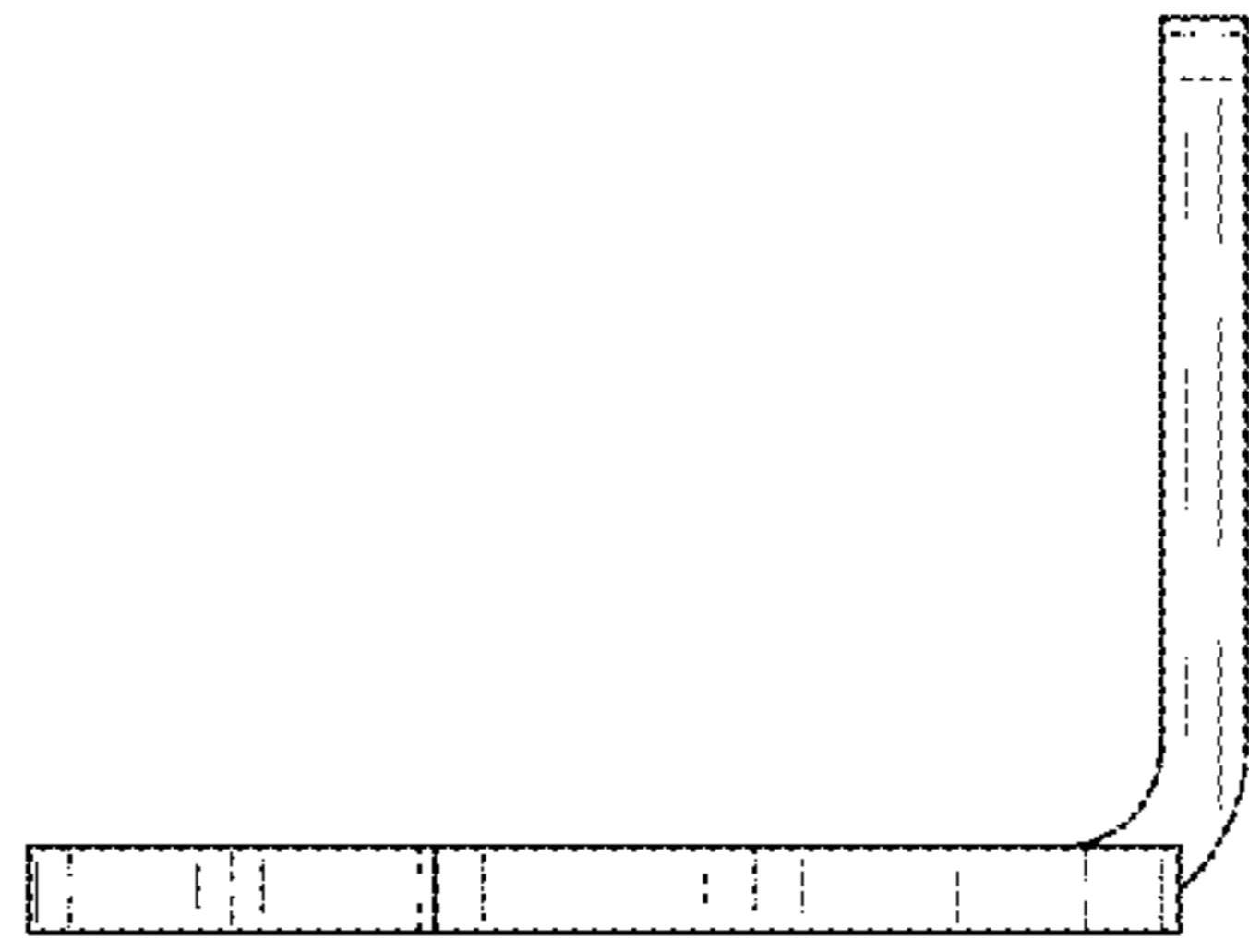


FIG. 5

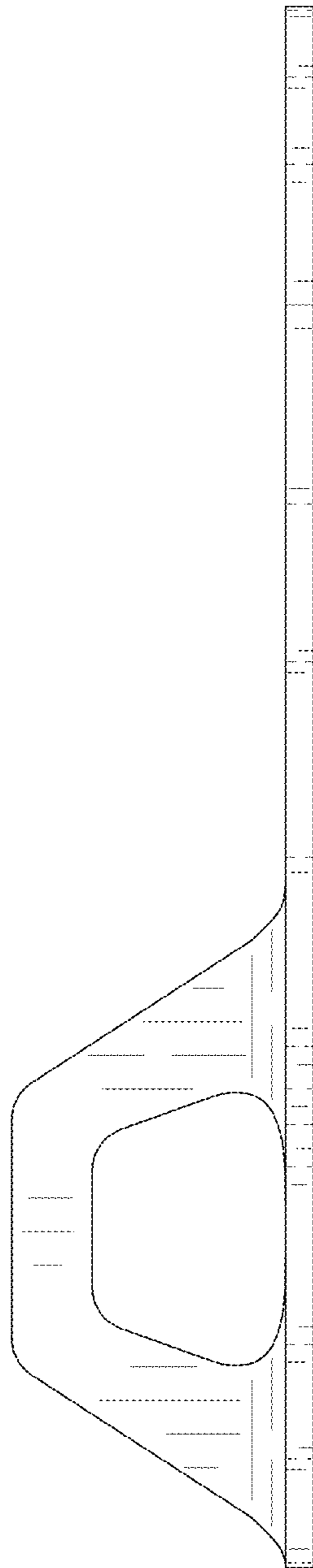


FIG. 6

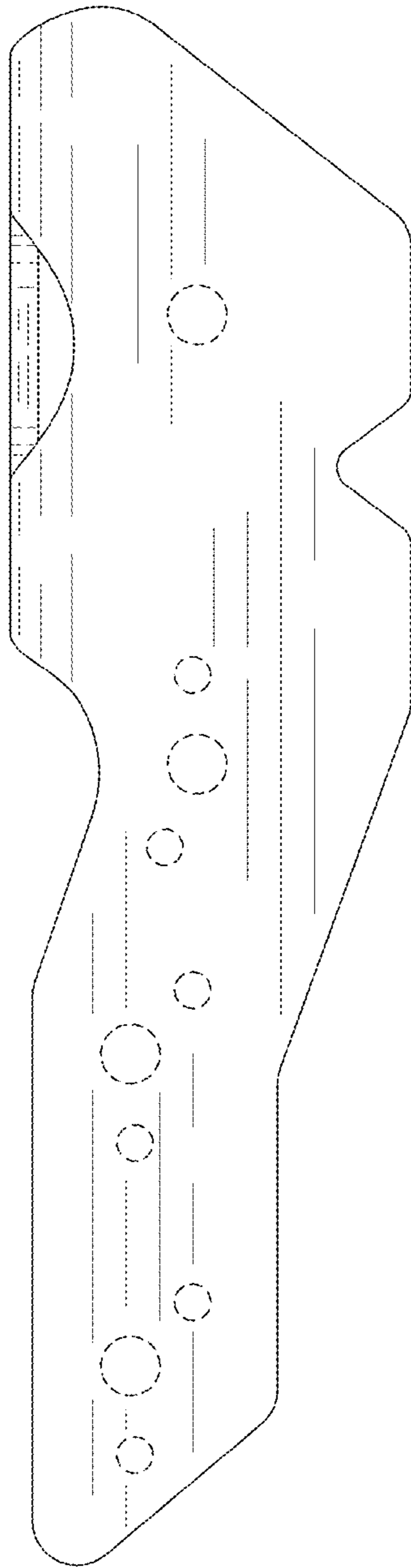


FIG. 7