



US00D789563S

(12) **United States Design Patent**  
**Lopez**

(10) **Patent No.:** **US D789,563 S**

(45) **Date of Patent:** **\*\* Jun. 13, 2017**

- (54) **ROOF ANCHOR**
- (71) Applicant: **WERNER CO.**, Greenville, PA (US)
- (72) Inventor: **Ivan D. Lopez**, Hermitage, PA (US)
- (73) Assignee: **WERNER CO.**, Greenville, PA (US)
- (\*\*) Term: **15 Years**
- (21) Appl. No.: **29/558,257**
- (22) Filed: **Mar. 16, 2016**
- (51) **LOC (10) Cl.** ..... **25-99**
- (52) **U.S. Cl.**  
USPC ..... **D25/199; D8/354**
- (58) **Field of Classification Search**  
USPC ..... D25/199; D8/325, 354, 371, 380, 381,  
D8/349, 367  
CPC ..... A62B 35/0068; A62B 35/04; E04D 13/12;  
E04D 15/00; E04G 21/3261; E04G  
21/328; E04G 21/3214; E04G 21/3276;  
E04G 5/041; E04G 5/043; E04G 3/26;  
E04B 1/38; Y02E 10/47  
See application file for complete search history.

5,054,576 A	10/1991	Glynn	
5,074,350 A *	12/1991	Carter	..... E06B 9/323 16/94 R
D323,777 S *	2/1992	Knox, III	..... 248/237
5,137,112 A	8/1992	Nichols	
D337,042 S *	7/1993	Lin	..... D8/349
5,240,216 A *	8/1993	Lin	..... E05D 15/38 16/94 R
5,287,944 A	2/1994	Woodyard	
5,361,558 A	11/1994	Thornton et al.	
5,553,685 A	9/1996	Cook	
D376,751 S *	12/1996	Hanson	..... D12/162
5,636,704 A	6/1997	Castaneda	
5,687,535 A	11/1997	Rohlf	
5,730,407 A	3/1998	Ostrobrod	
D394,632 S *	5/1998	Miller	..... D12/223
5,829,203 A	11/1998	Ealer, Sr.	
5,845,452 A	12/1998	Pantano	
5,878,534 A	3/1999	Gleave	

(Continued)

*Primary Examiner* — Vy Koenig  
*Assistant Examiner* — Kimberly Barnes  
 (74) *Attorney, Agent, or Firm* — Eckert Seamans Cherin  
 & Mellott, LLC; Nathaniel C. Wilks

(57) **CLAIM**

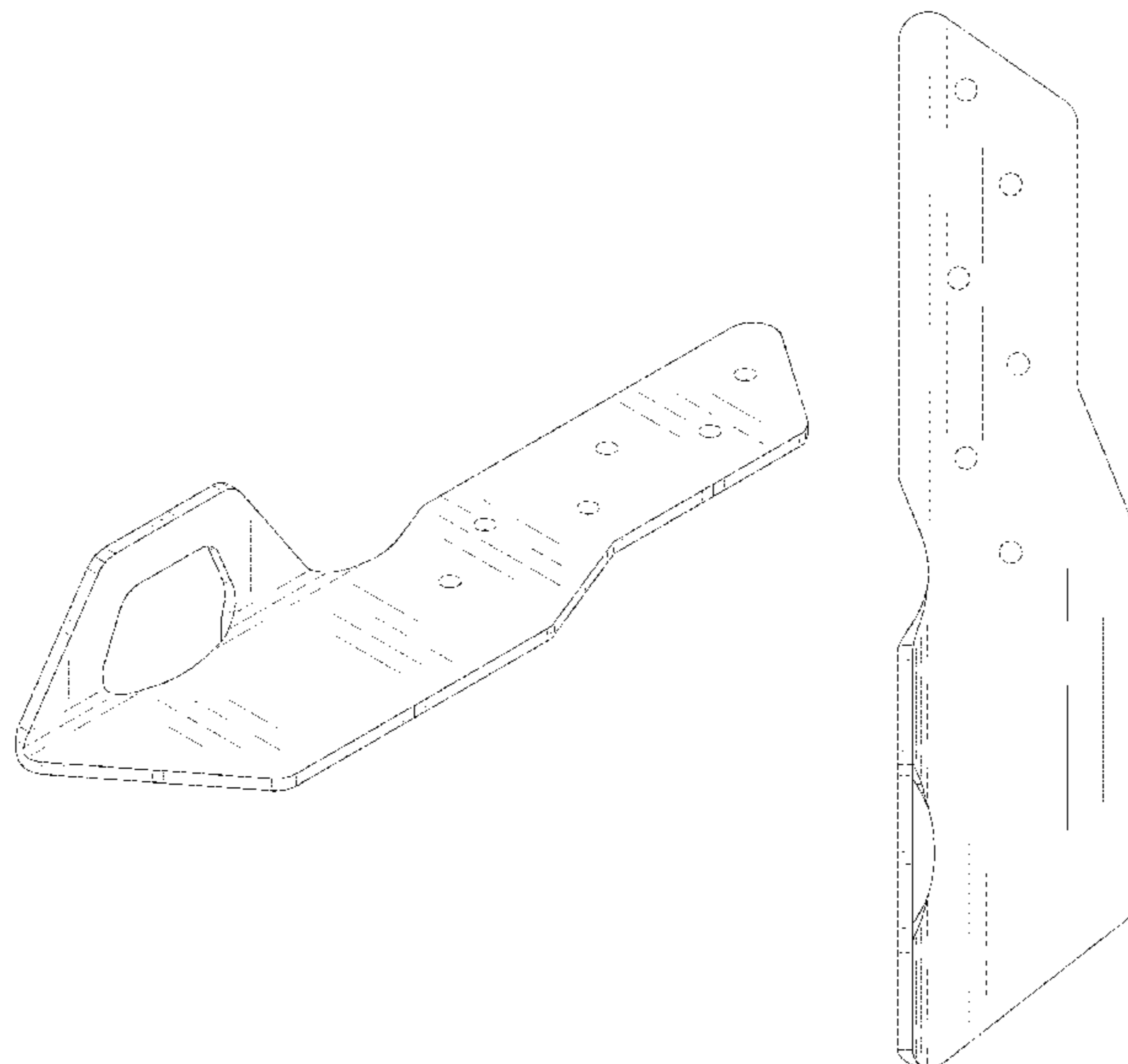
The ornamental design for a roof anchor, as shown and described.

**DESCRIPTION**

FIG. 1 is an upper front right perspective view of the roof anchor;  
 FIG. 2 is a front elevational view thereof;  
 FIG. 3 is a top plan view thereof;  
 FIG. 4 is a left side elevational view thereof;  
 FIG. 5 is a rear elevational view thereof;  
 FIG. 6 is a right side elevational view thereof; and,  
 FIG. 7 is a bottom plan view thereof.  
 The broken lines illustrate portions of the roof anchor that form no part of the claimed design.

**1 Claim, 7 Drawing Sheets**

- (56) **References Cited**  
U.S. PATENT DOCUMENTS
- 4,249,713 A 2/1981 Glynn et al.
- D260,758 S \* 9/1981 Borugian ..... D12/180
- 4,665,672 A 5/1987 Commins et al.
- 4,685,265 A 8/1987 Cooper
- 4,696,611 A 9/1987 Guay
- 4,723,128 A 2/1988 Gasque, Jr.
- 4,884,775 A \* 12/1989 Fischer, Jr. .... E04G 3/26  
182/45
- D306,133 S \* 2/1990 Zupancic ..... D8/354
- 4,942,943 A 7/1990 Flaherty
- D313,743 S \* 1/1991 Mastrodicasa ..... D8/381
- 5,011,106 A 4/1991 Cody
- 5,036,949 A 8/1991 Crocker et al.



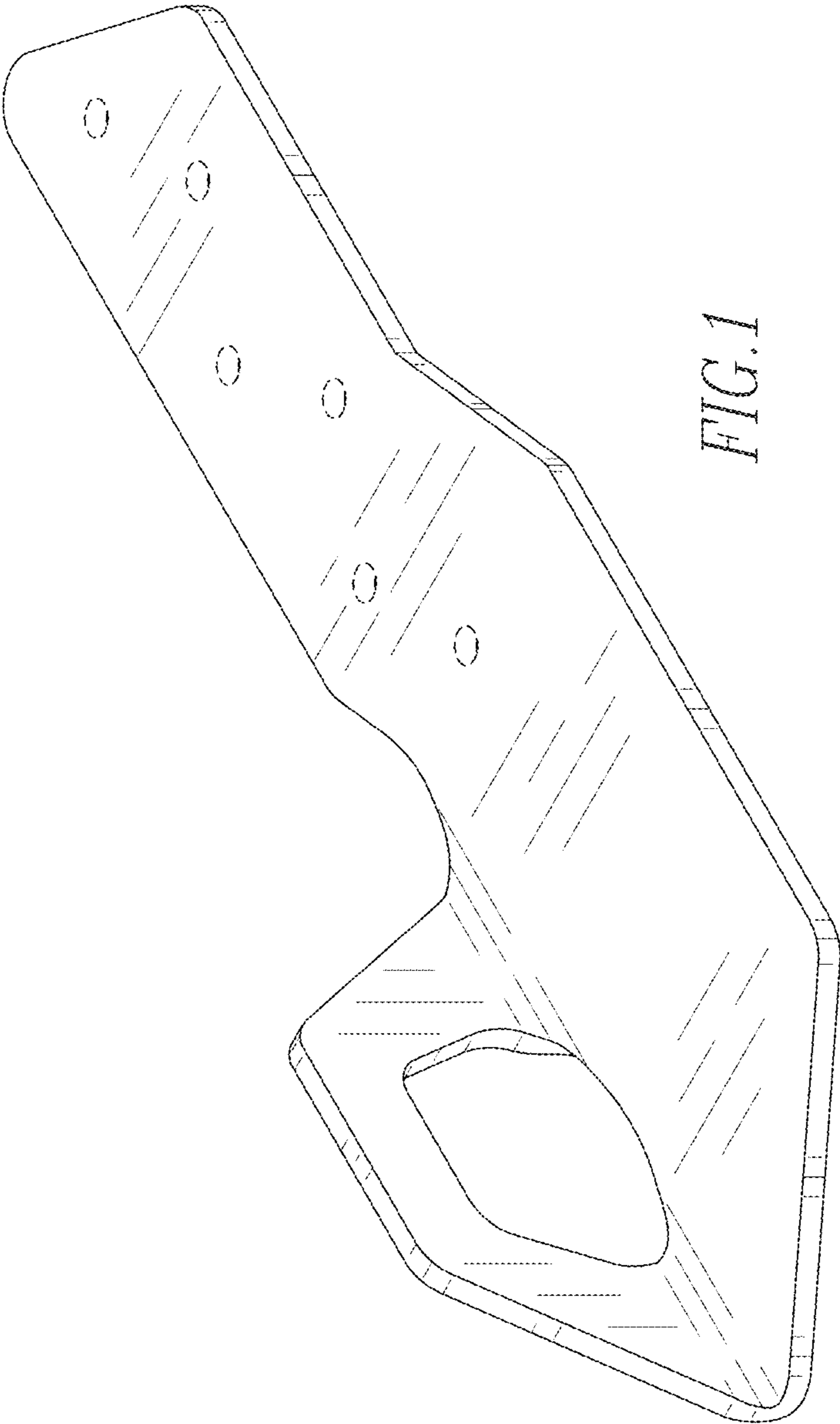
(56)

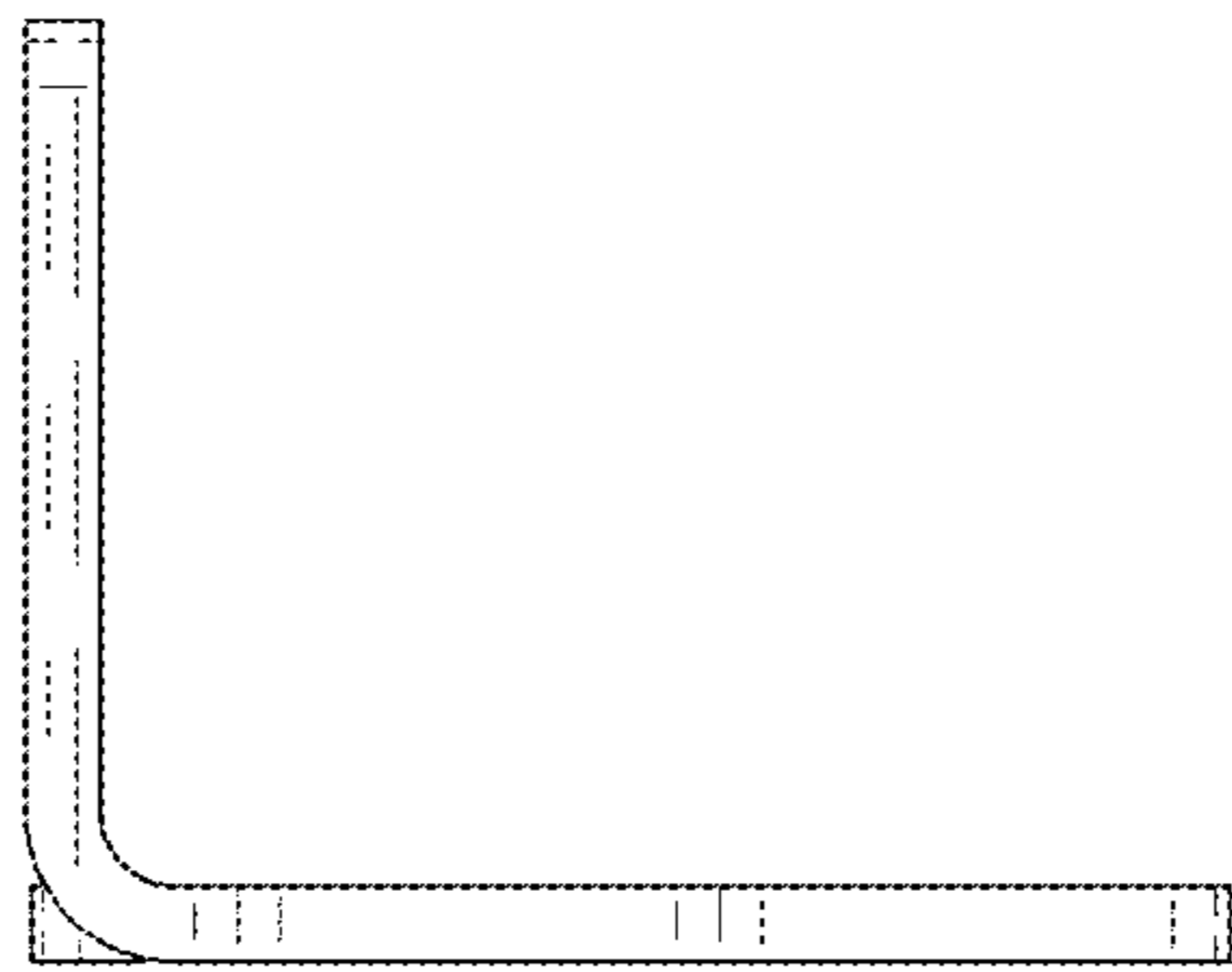
**References Cited**

U.S. PATENT DOCUMENTS

5,896,719	A	4/1999	Thornton	
D422,483	S *	4/2000	Shea .....	D8/354
6,098,746	A	8/2000	Castaneda	
6,324,810	B1 *	12/2001	Thompson .....	E04B 1/26 248/292.12
D476,217	S *	6/2003	Shea .....	D8/354
6,655,096	B1 *	12/2003	Pryor .....	E04B 7/045 52/712
6,668,509	B1	12/2003	Krebs	
D508,676	S *	8/2005	Franks, Jr. ....	D13/133
7,380,373	B2	6/2008	Crookston	
D588,441	S *	3/2009	Clarke .....	D8/354
D594,312	S *	6/2009	Clarke .....	D8/354
7,665,248	B2	2/2010	Blackford	
7,854,421	B2	12/2010	Florent	
D668,423	S *	10/2012	Brockington .....	D12/203
8,292,245	B2	10/2012	Schindler et al.	
8,910,452	B2 *	12/2014	Noturno .....	E04B 1/2608 52/712
9,003,715	B2	4/2015	Nurdogan	
9,039,049	B2 *	5/2015	Lahey .....	F16M 13/02 248/205.1
D736,066	S *	8/2015	Hull .....	D8/354
D780,834	S *	3/2017	Eberlen .....	D17/20
2004/0007150	A1	1/2004	Gleave	
2004/0035993	A1	2/2004	Curtin	
2006/0059844	A1	3/2006	Ely	
2007/0272811	A1	11/2007	Baake	
2008/0271407	A1	11/2008	Snider et al.	
2012/0317892	A1	12/2012	Crookston	
2013/0067848	A1	3/2013	Ferris	
2014/0182218	A1	7/2014	O'Donnell	
2014/0251724	A1 *	9/2014	Nichols, Jr. ....	A62B 35/0068 182/3
2015/0107184	A1	4/2015	Nichols, Jr.	

\* cited by examiner





*FIG. 2*

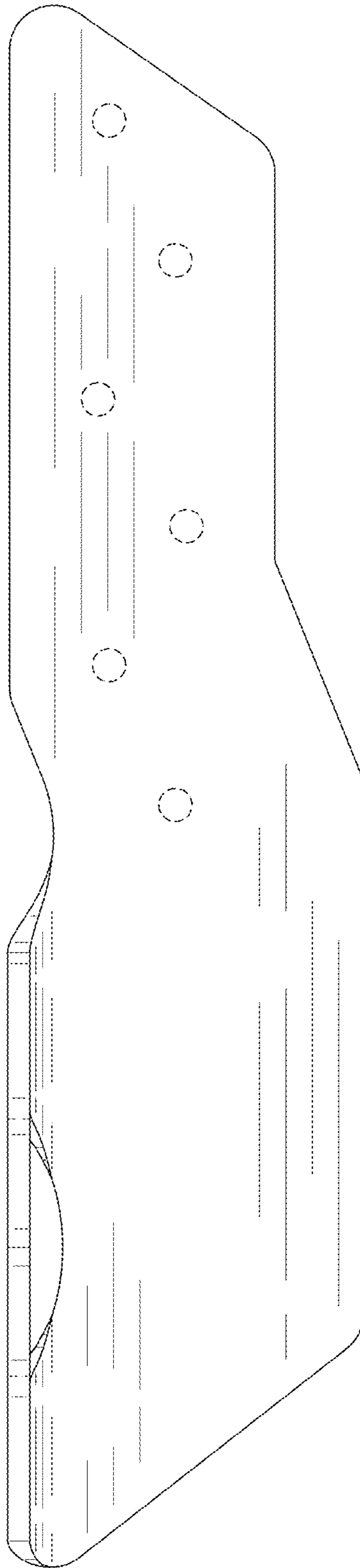


FIG. 3

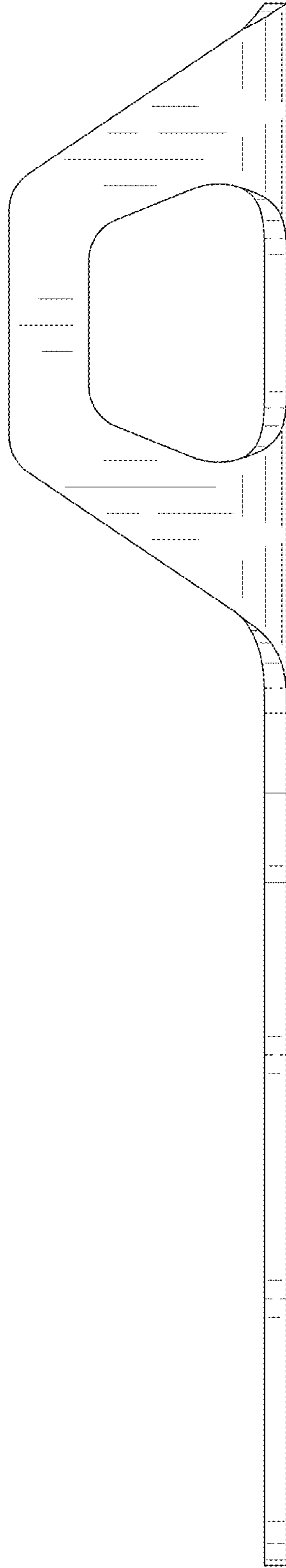
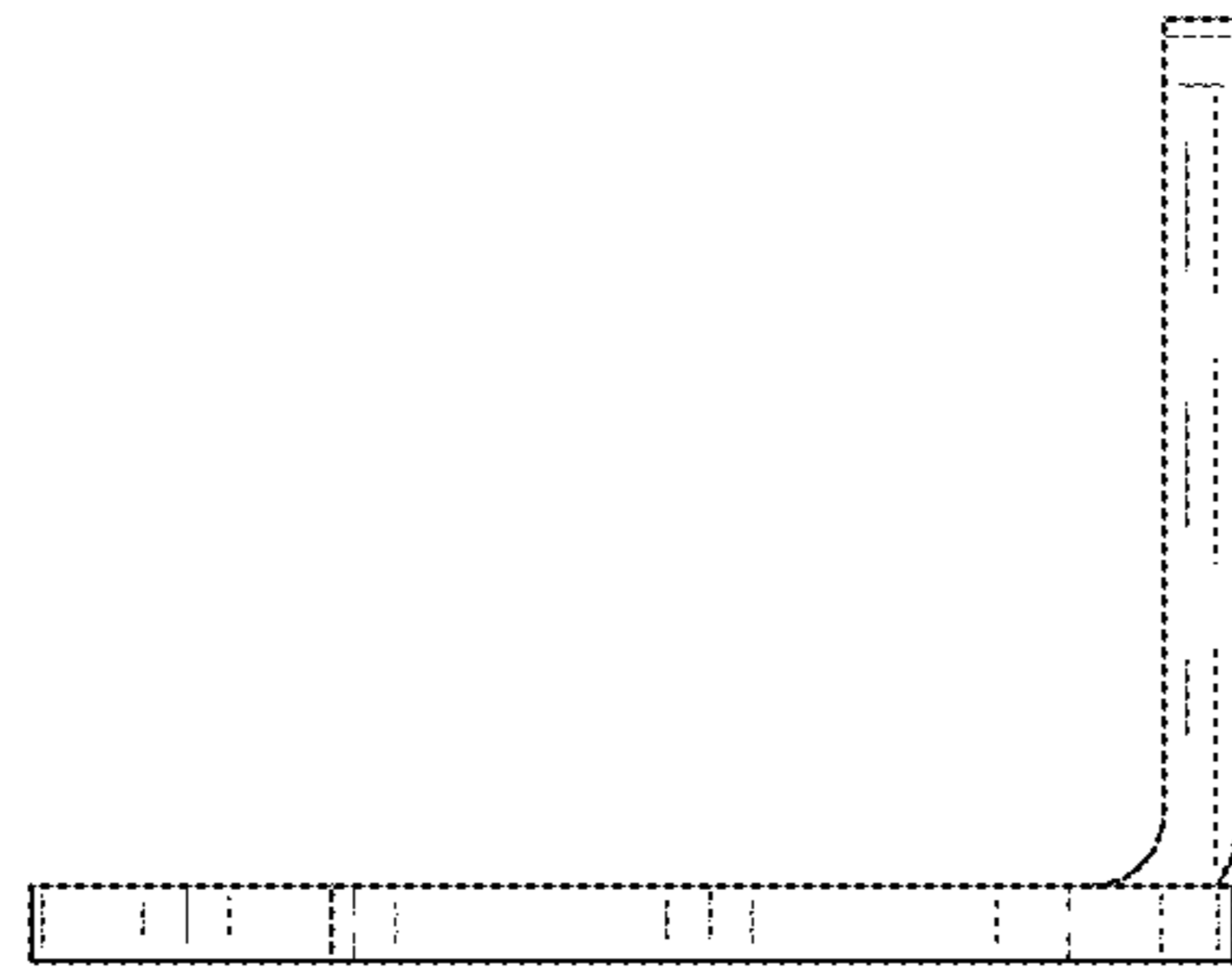


FIG. 4



*FIG. 5*

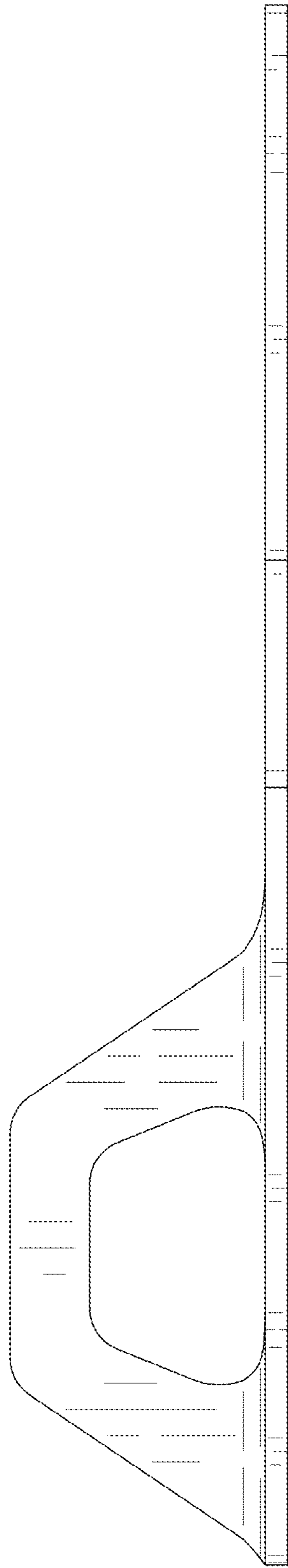
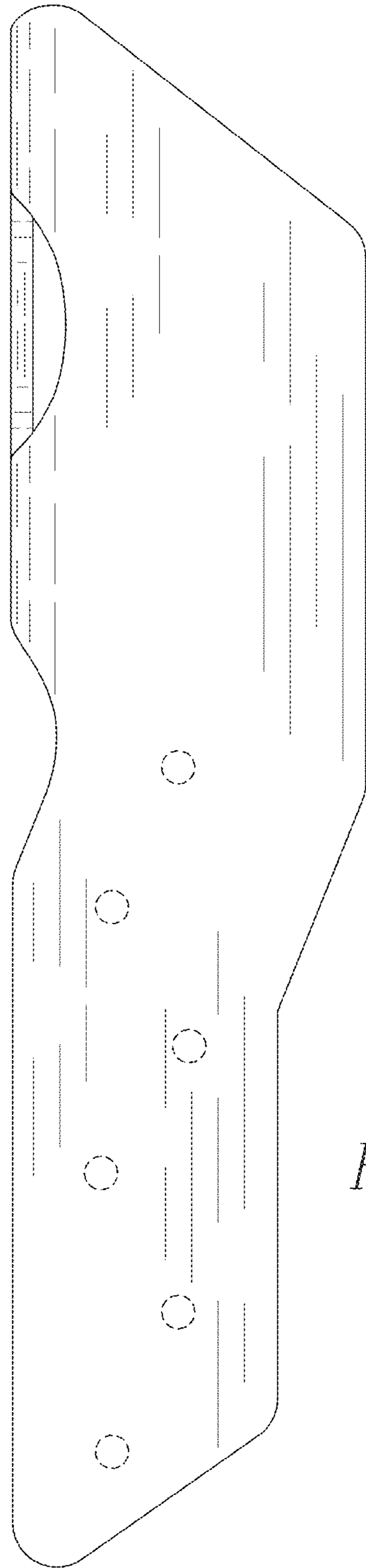


FIG. 6





*FIG. 7*