



US00D789561S

(12) **United States Design Patent**
Singh

(10) **Patent No.:** **US D789,561 S**

(45) **Date of Patent:** **** Jun. 13, 2017**

- (54) **TRIM REVEAL EXTRUSION**
- (71) Applicant: **Joshua George Singh**, Calgary (CA)
- (72) Inventor: **Joshua George Singh**, Calgary (CA)
- (**) Term: **15 Years**
- (21) Appl. No.: **29/535,743**
- (22) Filed: **Aug. 10, 2015**
- (51) **LOC (10) Cl.** **25-01**
- (52) **U.S. Cl.**
USPC **D25/121**
- (58) **Field of Classification Search**
USPC D25/119-125; 52/396.04, 396.08,
52/396.52, 273, 277, 278, 279, 282.3,
52/283, 255, 799.11, 800.1, 800.11, 62,
52/169.5, 281, 282.1, 287.1, 288.1, 716.2,
52/716.8, 717.01, 371, 254, 461, 465,
52/471, 472; 160/395, 368.1
CPC E04F 19/065; E04F 19/064; E04F 19/062;
E04F 19/022; E04F 19/061
See application file for complete search history.

- D742,544 S * 11/2015 Singh D25/119
- D742,545 S * 11/2015 Singh D25/119
- D750,807 S * 3/2016 Singh D25/121
- 9,366,040 B2 * 6/2016 Singh E04F 19/065

OTHER PUBLICATIONS

XtremeTrim. "Vertical Reveals.", www.xtremetrim.com. Extruded Aluminum Trim. Web. Sep. 26, 2016. shown in p. 40, Item XOCBL516.*

Allura. "Allura_Architectural-panels-EasyTrim_Brochure",www.allurausa.com. Web. Sep. 26, 2016, shown in p. 1, Item EZ1.*

* cited by examiner

Primary Examiner — Cynthia Ramirez

Assistant Examiner — Gino Colan

(74) *Attorney, Agent, or Firm* — Tai W. Nahm; Miller Thomson LLP

(57) **CLAIM**

The ornamental design for a trim reveal extrusion, as shown.

DESCRIPTION

FIG. 1 illustrates a perspective view of a trim reveal extrusion showing my new design; and, FIG. 2 is an end elevational view thereof.

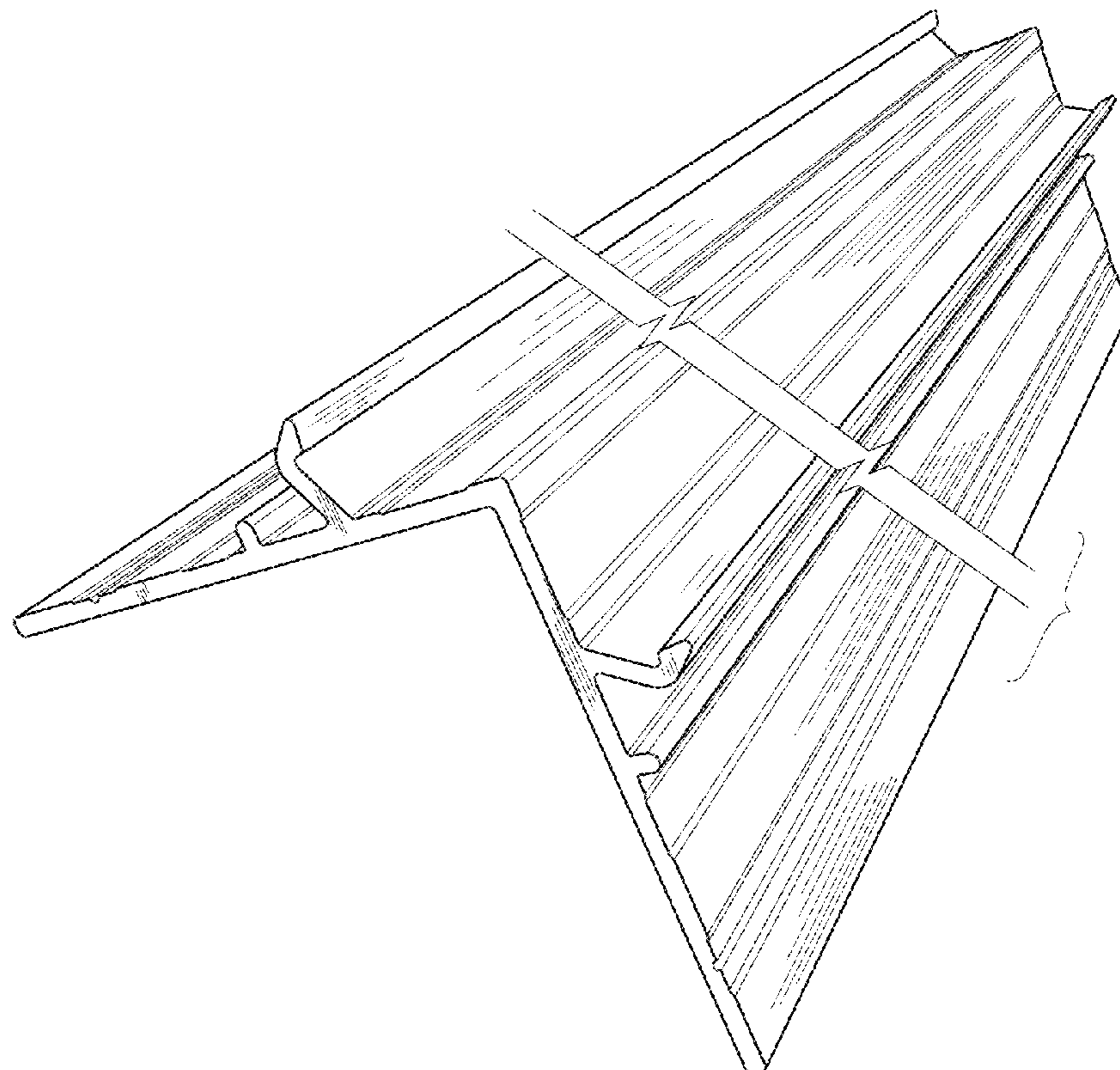
The trim reveal extrusion is shown with a symbolic break at its length. The appearance of any portion of the article between the break lines forms no part of the claimed design.

1 Claim, 1 Drawing Sheet

(56) **References Cited**

U.S. PATENT DOCUMENTS

- D221,530 S * 8/1971 Kimmel D25/121
- D398,708 S * 9/1998 Opielski D25/119
- D711,552 S * 8/2014 Singh D25/119



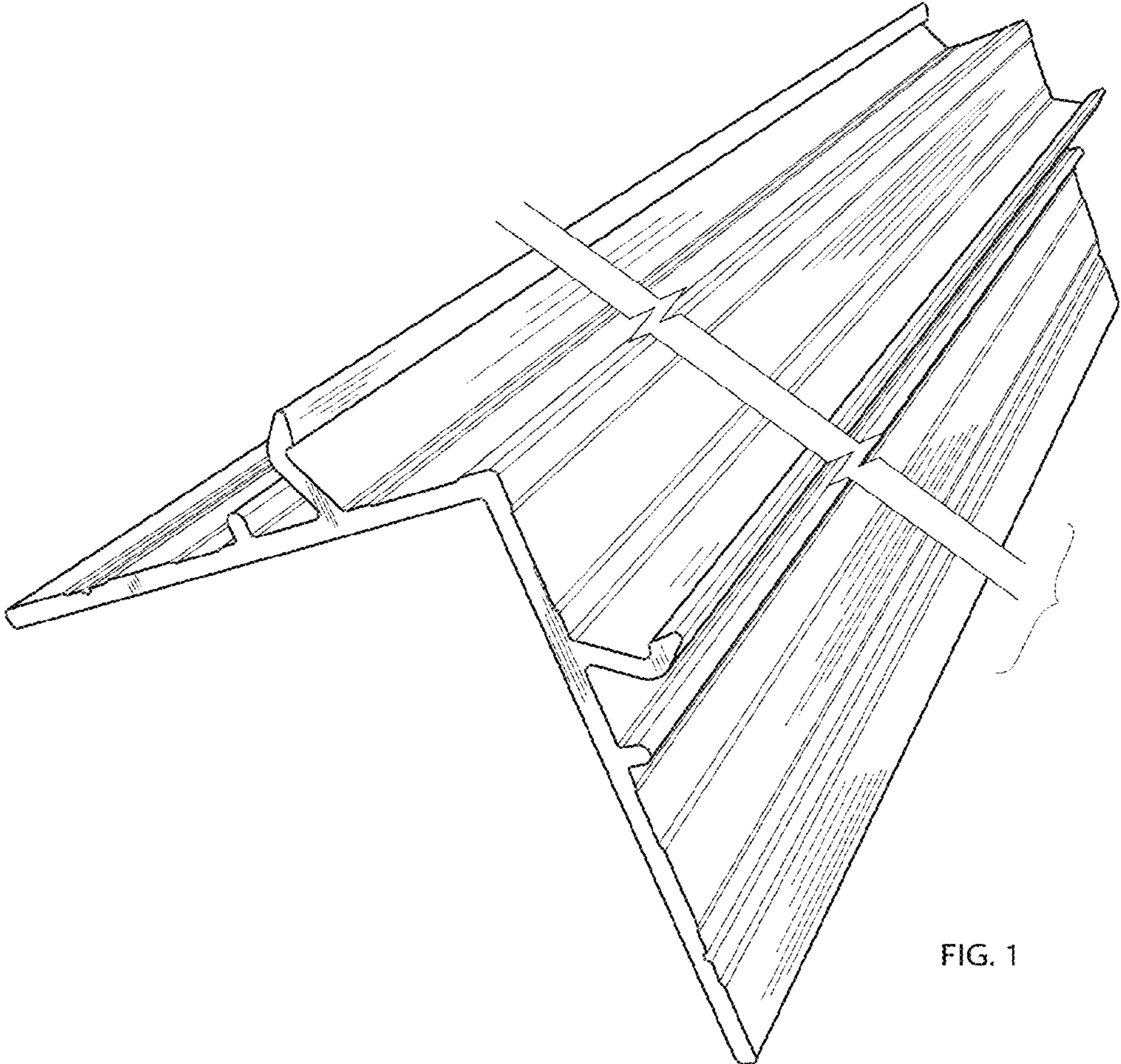


FIG. 1

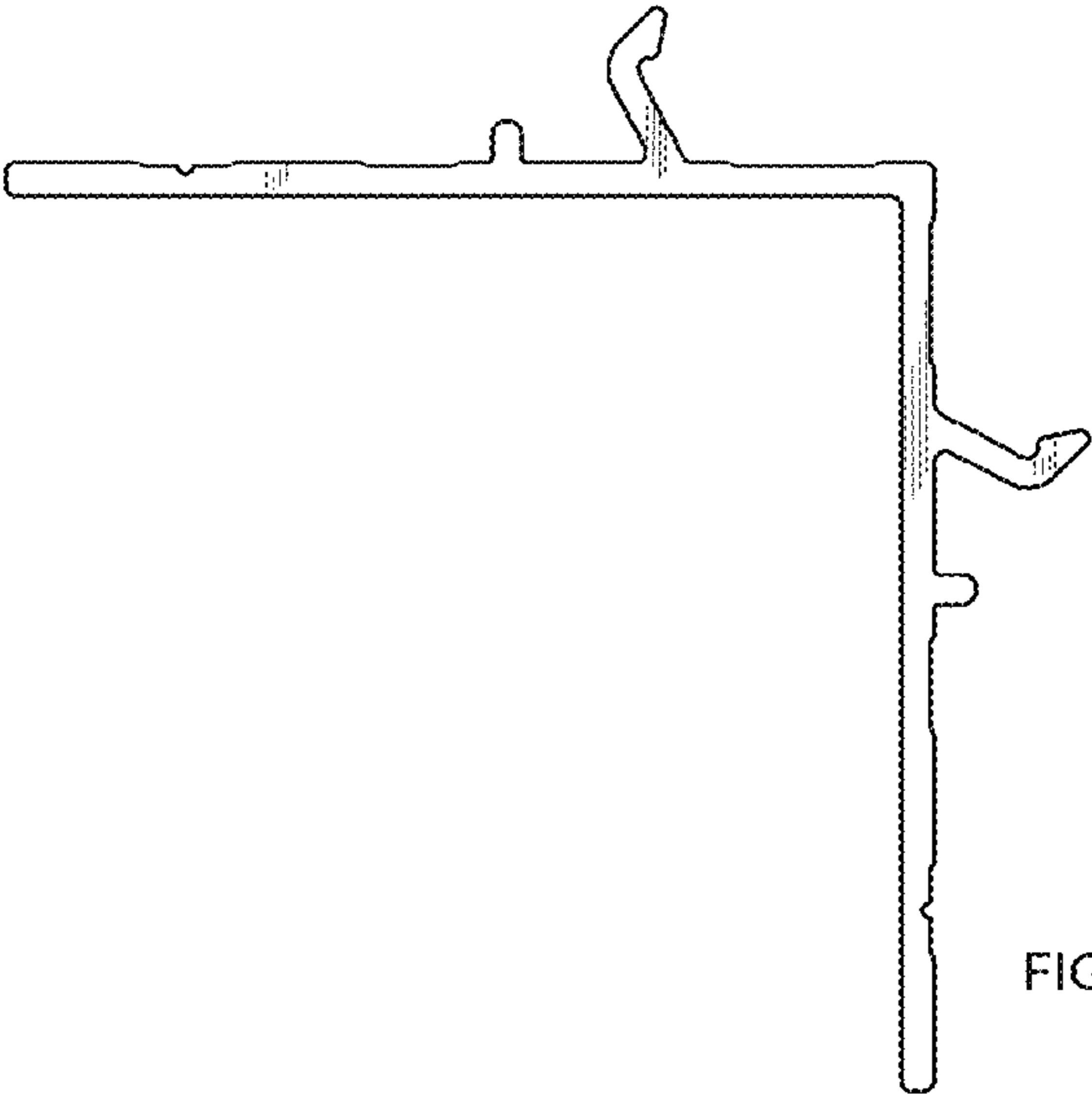


FIG. 2