



US00D789560S

(12) **United States Design Patent**
Singh

(10) **Patent No.:** **US D789,560 S**

(45) **Date of Patent:** **** Jun. 13, 2017**

(54) **TRIM REVEAL EXTRUSION**

(71) Applicant: **Joshua George Singh**, Calgary (CA)

(72) Inventor: **Joshua George Singh**, Calgary (CA)

(**) Term: **15 Years**

(21) Appl. No.: **29/547,622**

(22) Filed: **Dec. 4, 2015**

(51) **LOC (10) Cl.** **25-01**

(52) **U.S. Cl.**
USPC **D25/119**

(58) **Field of Classification Search**

USPC D25/35, 38.1, 41.1, 42, 43, 44, 47.1,
D25/48.1, 48.4, 58, 119-123, 125, 136,
D25/137, 164, 199; 52/62, 169.5, 254,
52/255, 281, 282.1, 287.1, 288.1, 371,
52/459, 461, 465, 471, 472, 716.2, 706,
52/717.01; 160/368.1, 395; D8/349,
D8/354, 355, 366, 373, 377, 380, 381,
D8/403; D20/10, 43, 44

CPC E04F 2013/063; E04F 13/00; E04F 13/06;
E04F 15/142; E04F 19/02; E04F 19/0436;
E04F 19/0495; E04F 19/061; E04F 19/04;
B60R 13/04; B60R 13/0206; B60R 13/02;
A47B 95/00; A47B 96/201; E04C 2/08

See application file for complete search history.

(56) **References Cited**

U.S. PATENT DOCUMENTS

5,222,343 A * 6/1993 Anderson E04F 19/061
52/717.01
D574,513 S * 8/2008 Vibiano D25/136

D680,662 S * 4/2013 Elizarraras D25/136
D689,200 S * 9/2013 Elizarraras D25/136
D734,498 S * 7/2015 Batres D25/136
2013/0047532 A1 * 2/2013 Armacost E04F 19/0486
52/288.1
2014/0033629 A1 * 2/2014 Rutherford E04F 15/142
52/364

* cited by examiner

Primary Examiner — Cynthia Ramirez

Assistant Examiner — Llorellys Martinez-Rivera

(74) *Attorney, Agent, or Firm* — Tai W. Nahm; Miller
Thomson LLP

(57) **CLAIM**

The ornamental design for a trim reveal extrusion, as shown and described.

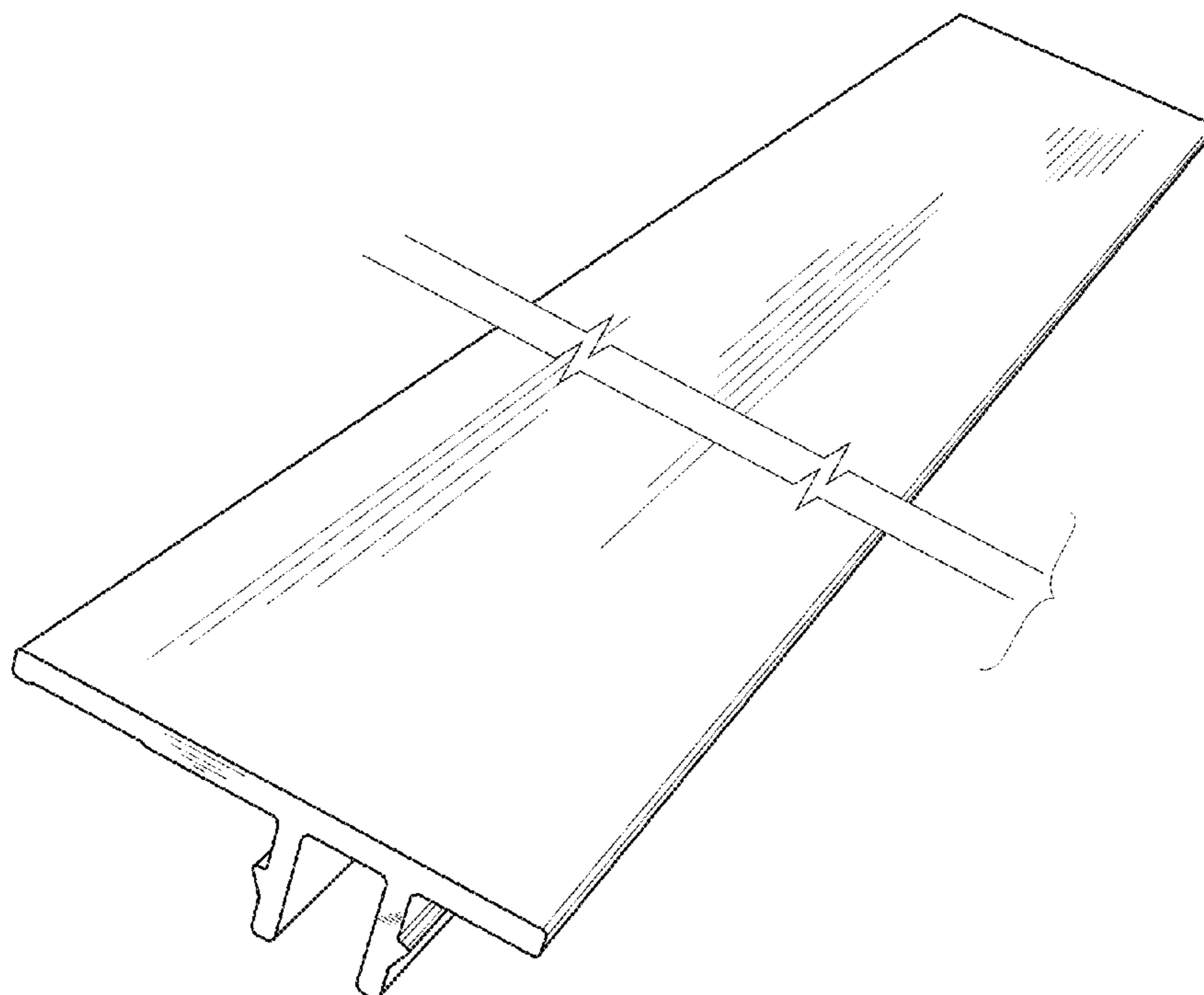
DESCRIPTION

FIG. 1 is a perspective view of a trim reveal extrusion showing my new design; and,

FIG. 2 is a cross-sectional view thereof.

The trim reveal extrusion is shown with a symbolic break in its length. The appearance of any portion of the trim reveal extrusion between the jagged break lines form no part of the claimed design.

1 Claim, 1 Drawing Sheet



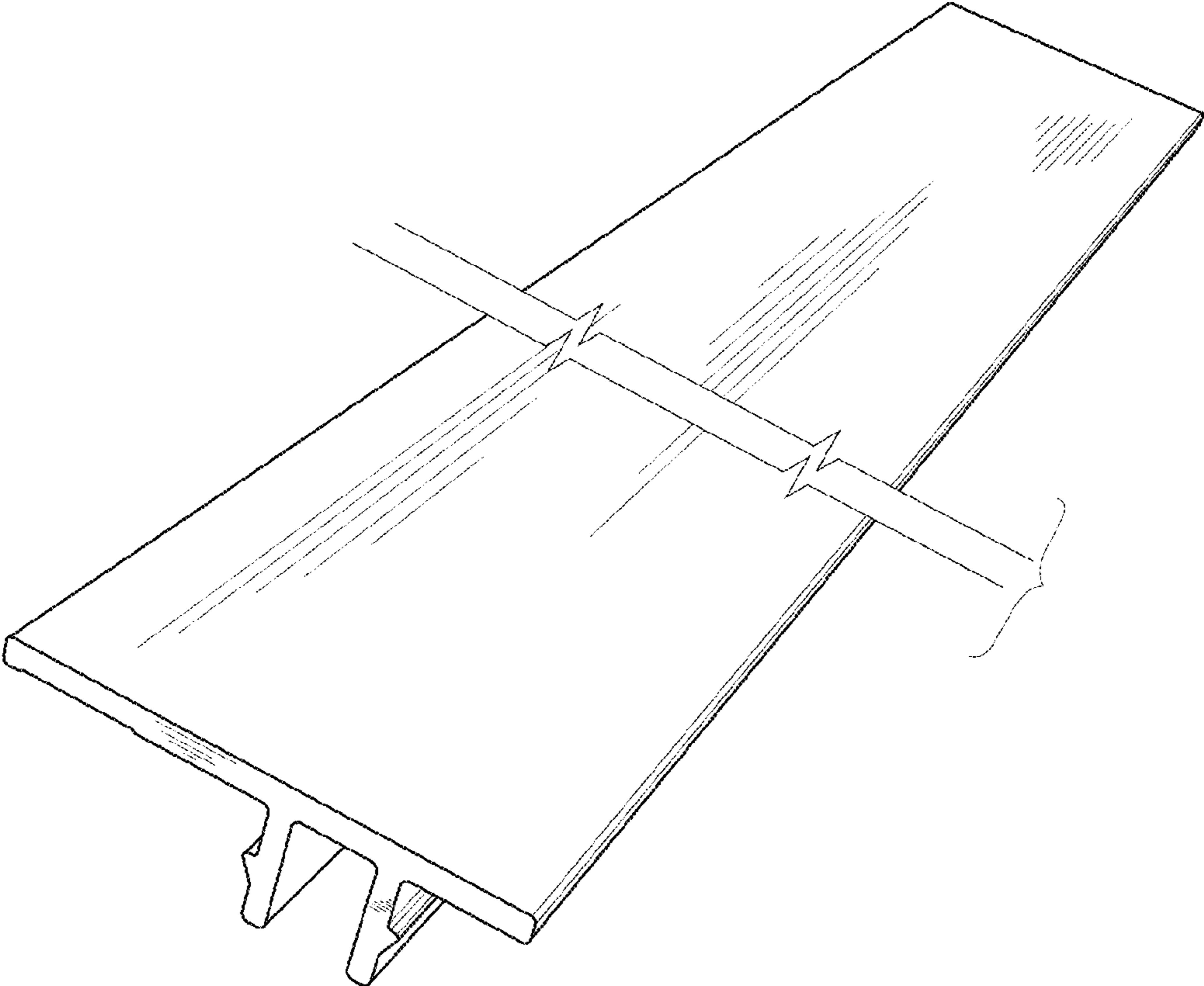


FIG. 1

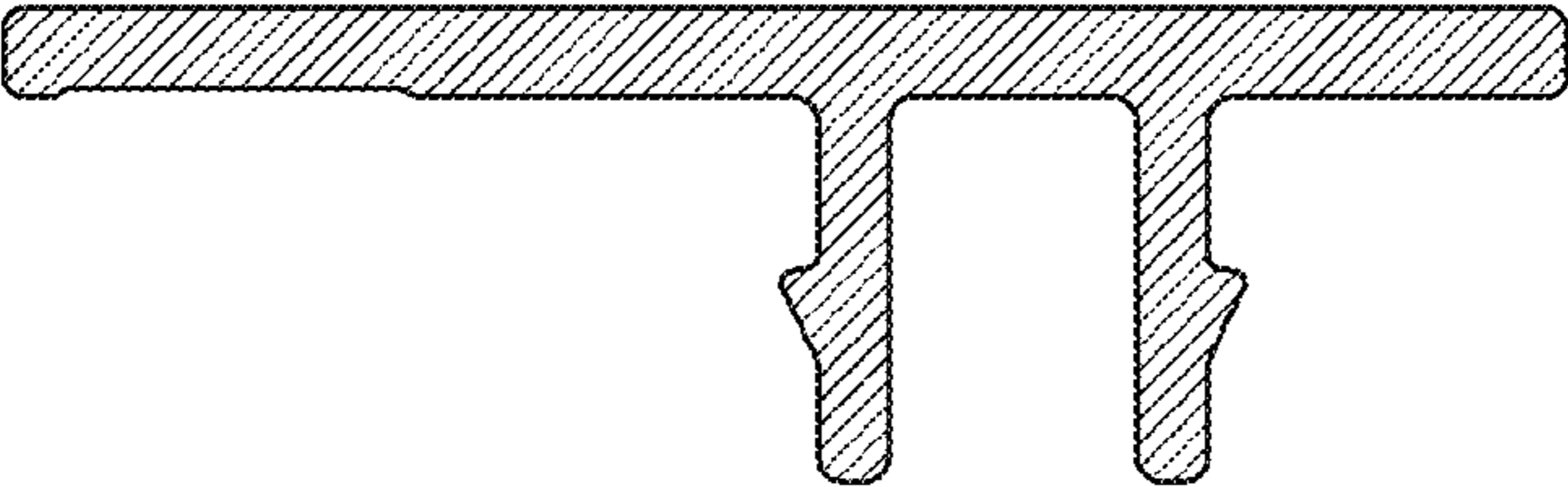


FIG. 2