



US00D789553S

(12) **United States Design Patent** (10) **Patent No.:** **US D789,553 S**
Allen et al. (45) **Date of Patent:** **** Jun. 13, 2017**

(54) **DOOR**
(71) Applicant: **Masonite Corporation**, Tampa, FL (US)
(72) Inventors: **Robert C. Allen**, Elburn, IL (US); **Mark Albrighton**, Wesley Chapel, FL (US); **Timothy D. Gouge**, Elgin, IL (US); **Jason M. Walsh**, Batavia, IL (US)
(73) Assignee: **Masonite Corporation**, Tampa, FL (US)
(**) Term: **14 Years**
(21) Appl. No.: **29/498,016**
(22) Filed: **Jul. 30, 2014**
(51) **LOC (10) Cl.** **25-02**
(52) **U.S. Cl.**
USPC **D25/48.3**
(58) **Field of Classification Search**
USPC D25/48.3, 48.4, 48.5, 48.6, 48.7, 48.8, D25/138; 49/DIG. 2, 382, 501, 504, 506;
(Continued)

(56) **References Cited**
U.S. PATENT DOCUMENTS
1,574,493 A * 2/1926 Leonard E06B 3/728
126/190
2,799,059 A * 7/1957 Stack E06B 3/7001
428/172
(Continued)

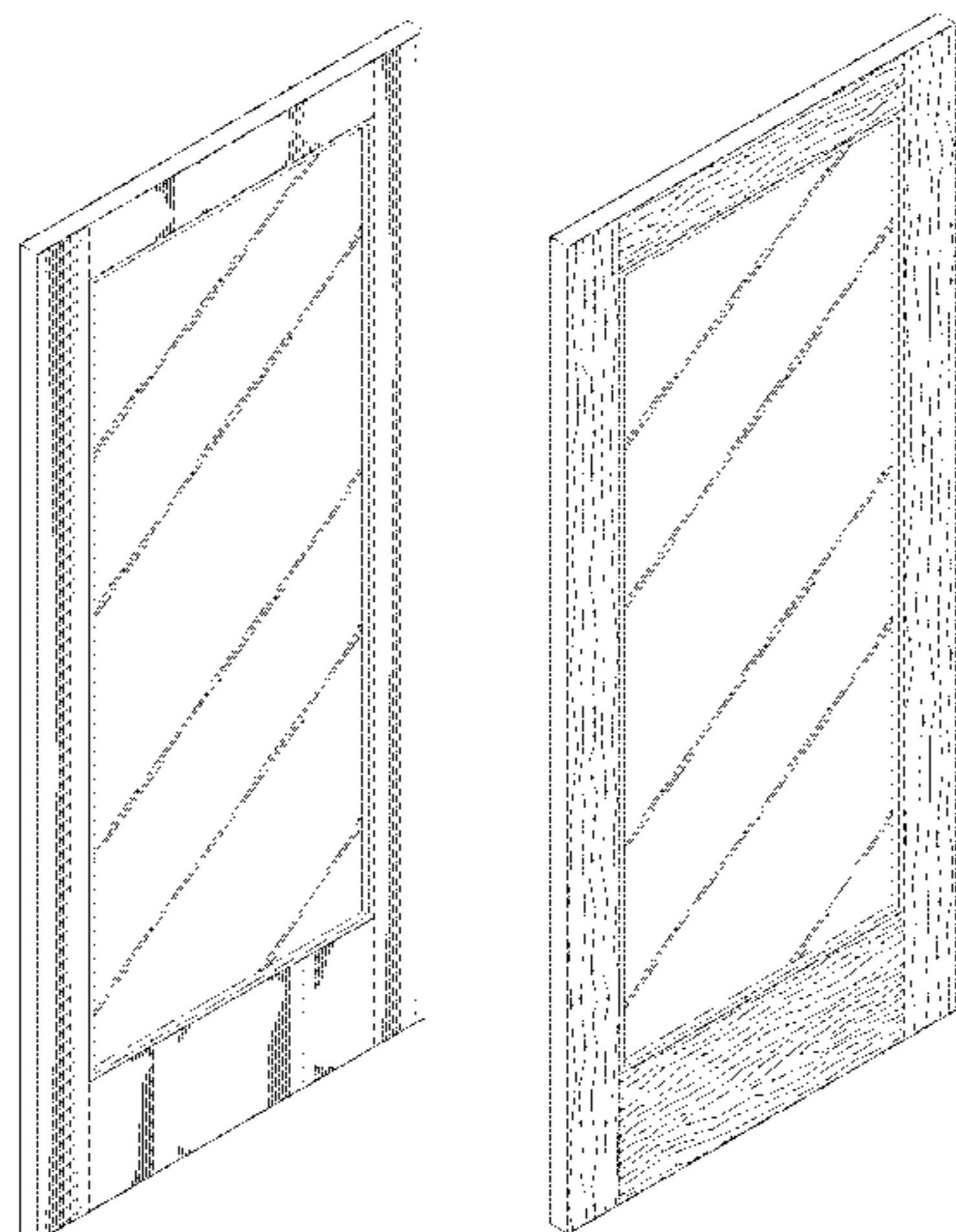
FOREIGN PATENT DOCUMENTS
EM 000802152-0001 1/2008
EM 000802152-0009 1/2008
Primary Examiner — Rosemary K Tarcza
Assistant Examiner — Leanne Was-Englehart
(74) *Attorney, Agent, or Firm* — Berenato & White, LLC

(57) **CLAIM**
The ornamental design for a door, as shown and described.
DESCRIPTION

FIG. 1 is a front perspective view of a first version of our design;

FIG. 2 is a front elevational view;
FIG. 3 is a rear elevational view;
FIG. 4 is a top plan view;
FIG. 5 is a bottom plan view;
FIG. 6 is a cross-sectional view taken along the line 6-6 of FIG. 2;
FIG. 7 is a fragmentary cross-sectional view of a portion of FIG. 6;
FIG. 8 is a left side elevational view;
FIG. 9 is a right side elevational view;
FIG. 10 is a cross-sectional view taken along the line 10-10 of FIG. 2;
FIG. 11 is a fragmentary cross-sectional view taken of a portion of FIG. 10;
FIG. 12 is a fragmentary cross-sectional view taken of a portion of FIG. 10;
FIG. 13 is a front perspective view of a second version of our design;
FIG. 14 is a front elevational view;
FIG. 15 is a rear elevational view;
FIG. 16 is a top plan view;
FIG. 17 is a bottom plan view;
FIG. 18 is a cross-sectional view taken along the line 18-18 of FIG. 14;
FIG. 19 is a fragmentary cross-sectional view of a portion of FIG. 18;
FIG. 20 is a left side elevational view;
FIG. 21 is a right side elevational view;
FIG. 22 is a cross-sectional view taken along the line 22-22 of FIG. 14;
FIG. 23 is a fragmentary cross-sectional view taken of a portion of FIG. 22; and,
FIG. 24 is a fragmentary cross-sectional view taken of a portion of FIG. 22, wherein the oval-shaped broken lines of FIGS. 6, 7, 10-12, 18, 19, and 22-24 form no part of the claimed design.

1 Claim, 12 Drawing Sheets



(58) **Field of Classification Search**

USPC 52/207, 208, 311.2, 311.3, 313, 455-458,
52/474, 475.1, 781, 784.16; 428/45
CPC ... E06B 3/72; E06B 3/78; E06B 3/486; E06B
3/4636; E06B 2003/7044; E06B 1/04;
E06B 5/00

See application file for complete search history.

(56) **References Cited**

U.S. PATENT DOCUMENTS

4,167,088	A *	9/1979	Governale	E06B 1/524 49/381
4,214,405	A *	7/1980	Chupik	E06B 1/524 49/382
4,720,951	A *	1/1988	Thorn	B29C 44/18 49/DIG. 2
4,825,615	A *	5/1989	Turner	E06B 3/74 52/455
6,185,894	B1 *	2/2001	Sisco	E06B 3/725 52/455
7,210,274	B2 *	5/2007	Ballantyne	E06B 3/74 52/309.9
7,284,352	B2 *	10/2007	Lynch	E06B 3/7001 52/309.9
D576,740	S *	9/2008	Steiber	D25/48.3
D640,392	S *	6/2011	Walsh	D25/38.1
D748,816	S *	2/2016	Gouge	D25/48.3
D756,534	S *	5/2016	Allen	D25/48.3
2016/0010386	A1 *	1/2016	Gouge	E06B 3/06 52/784.16

* cited by examiner

Fig. 1

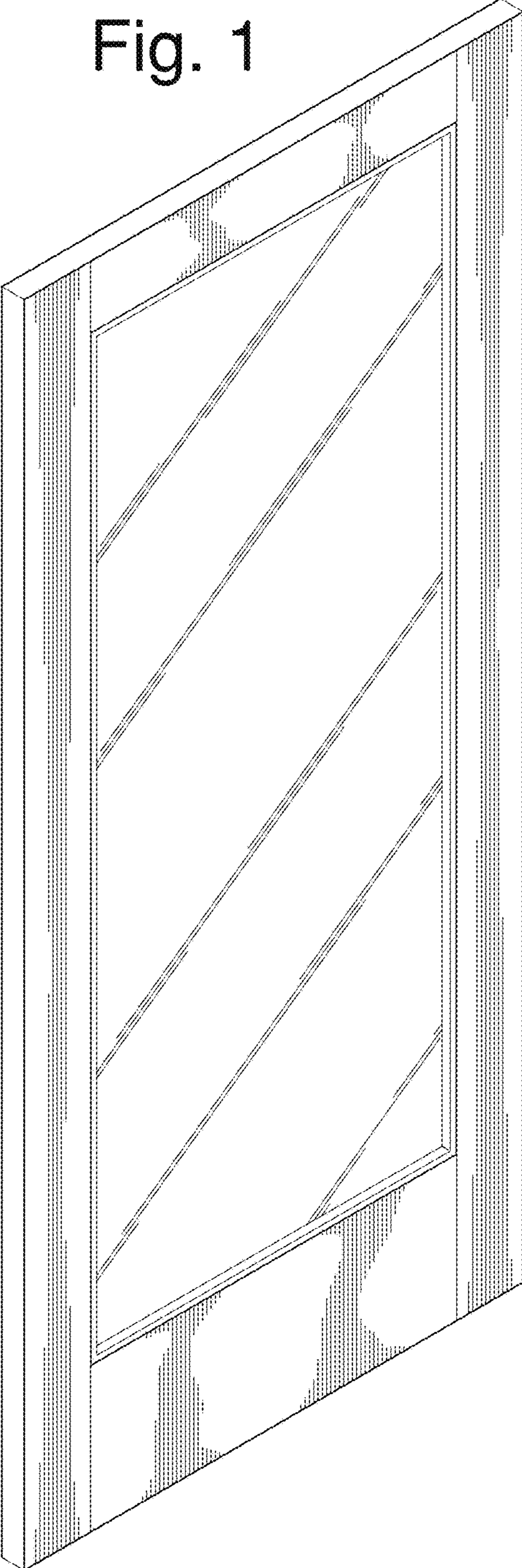


Fig. 2

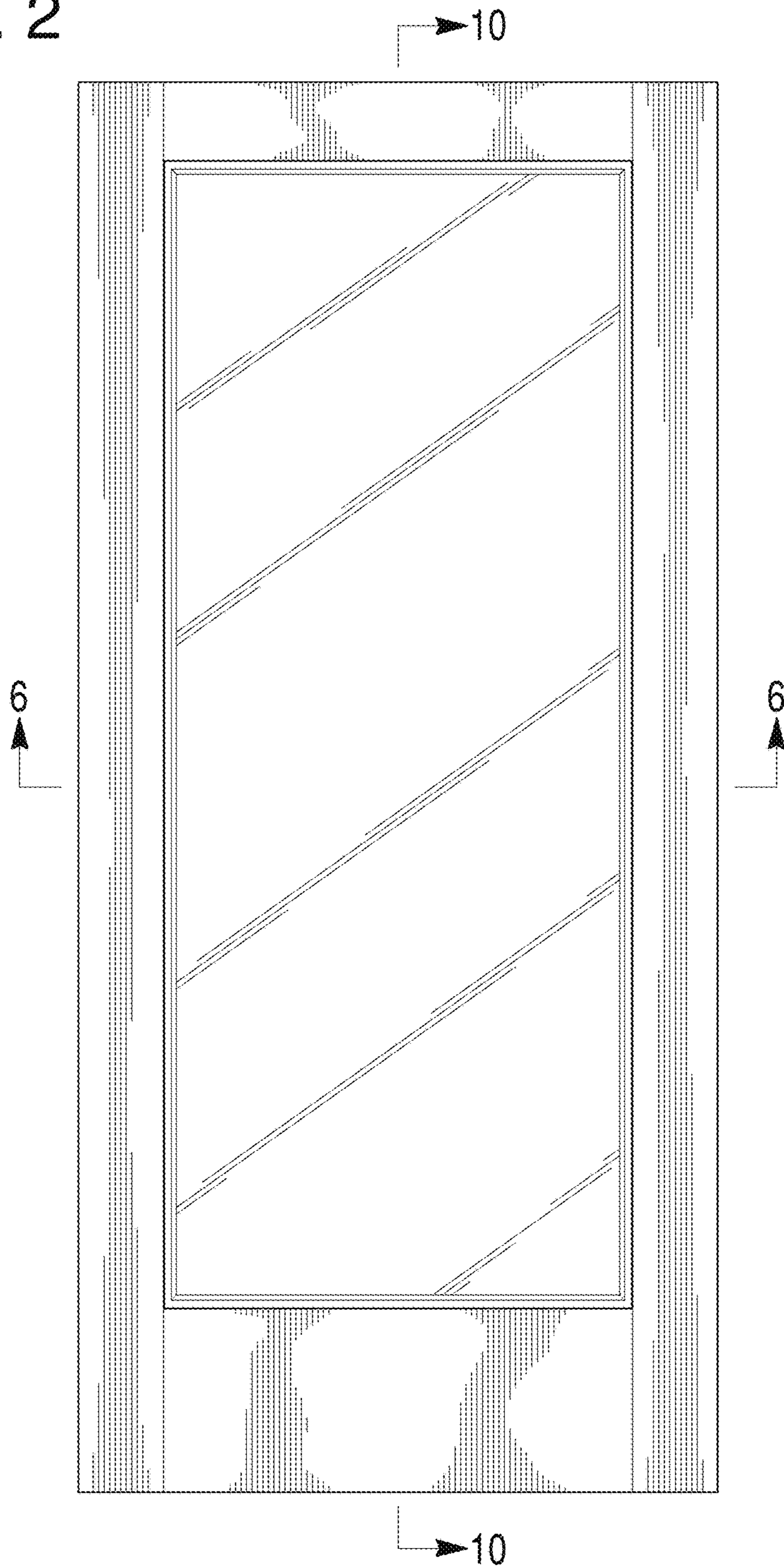


Fig. 3

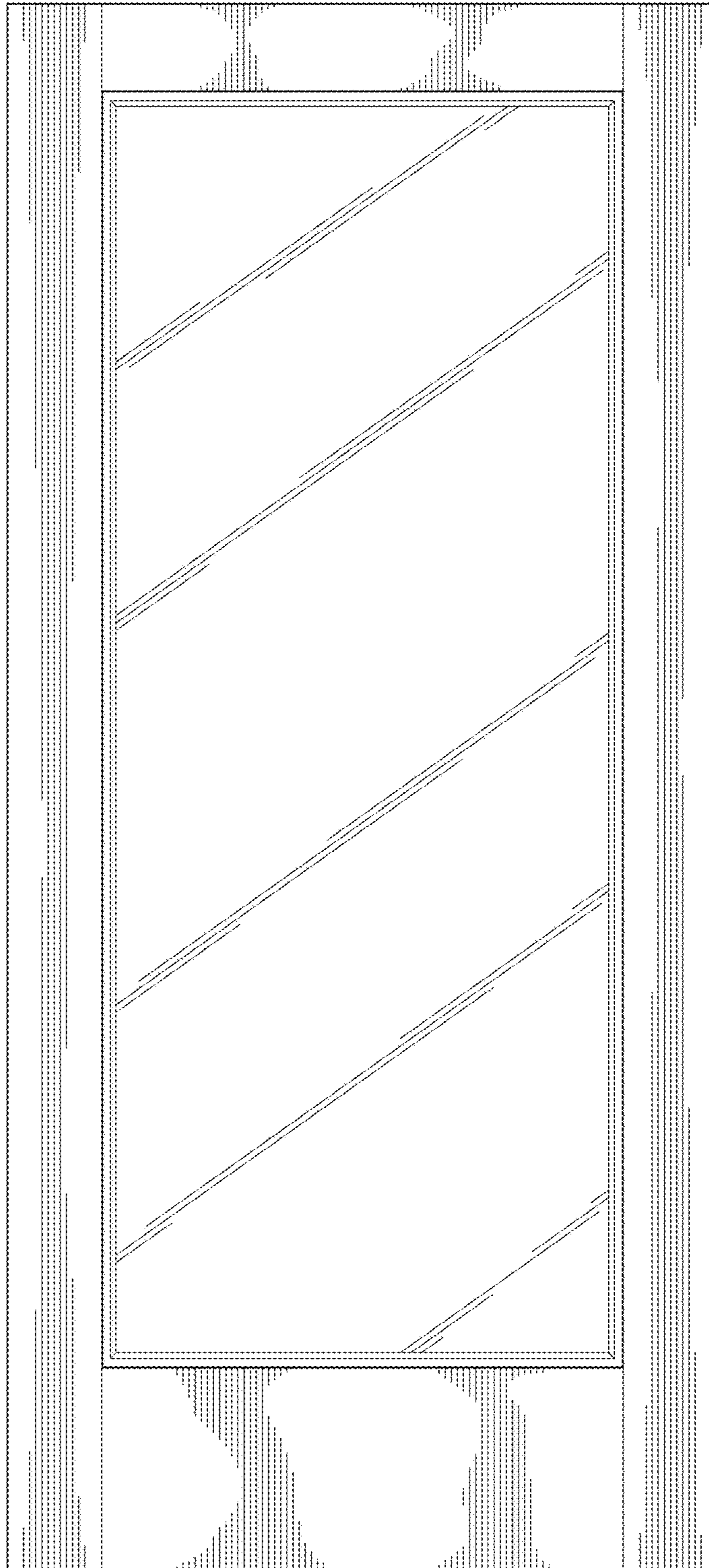


Fig. 4



Fig. 5

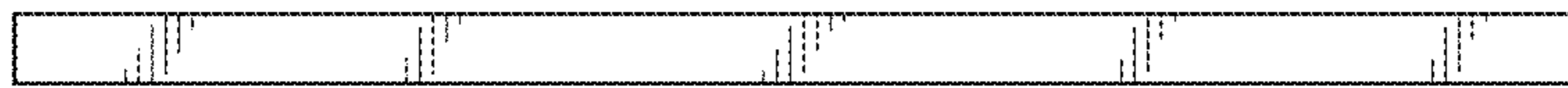


Fig. 6

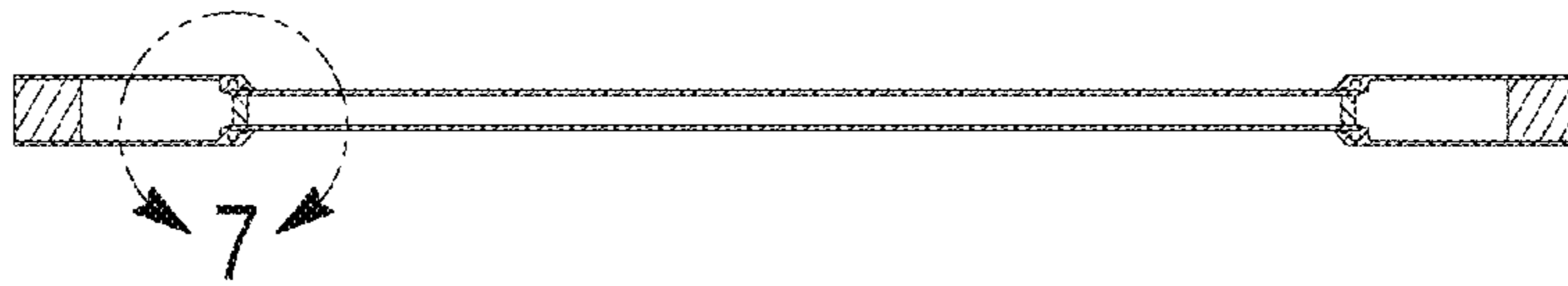


Fig. 7

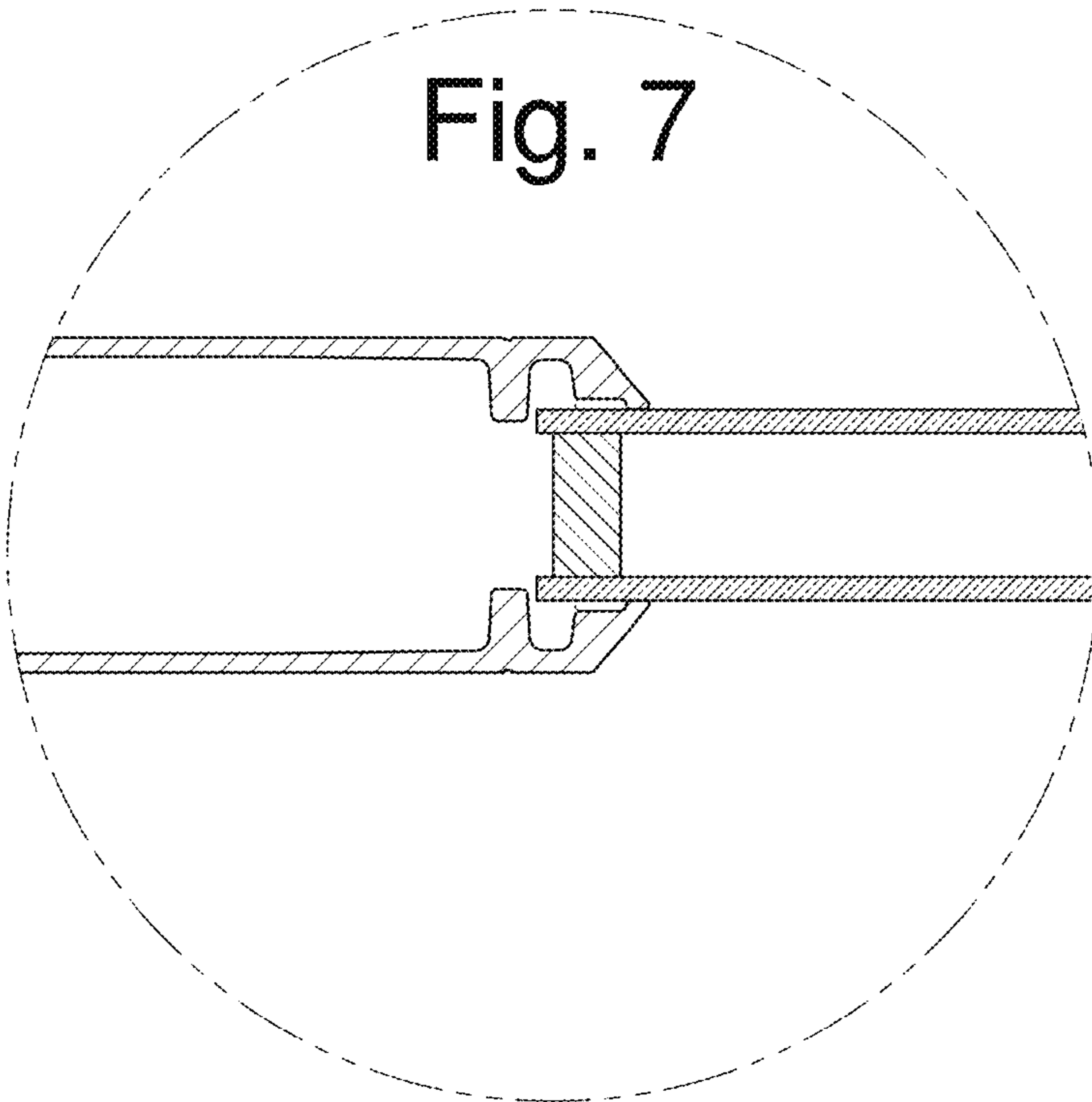


Fig. 8



Fig. 9

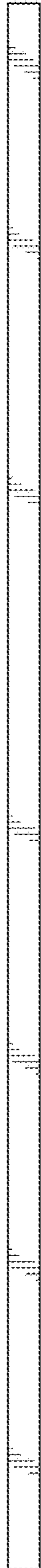
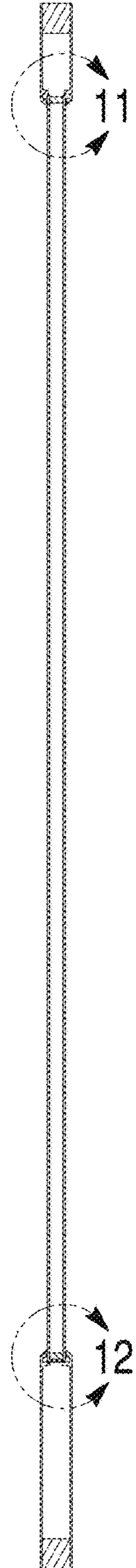


Fig. 10



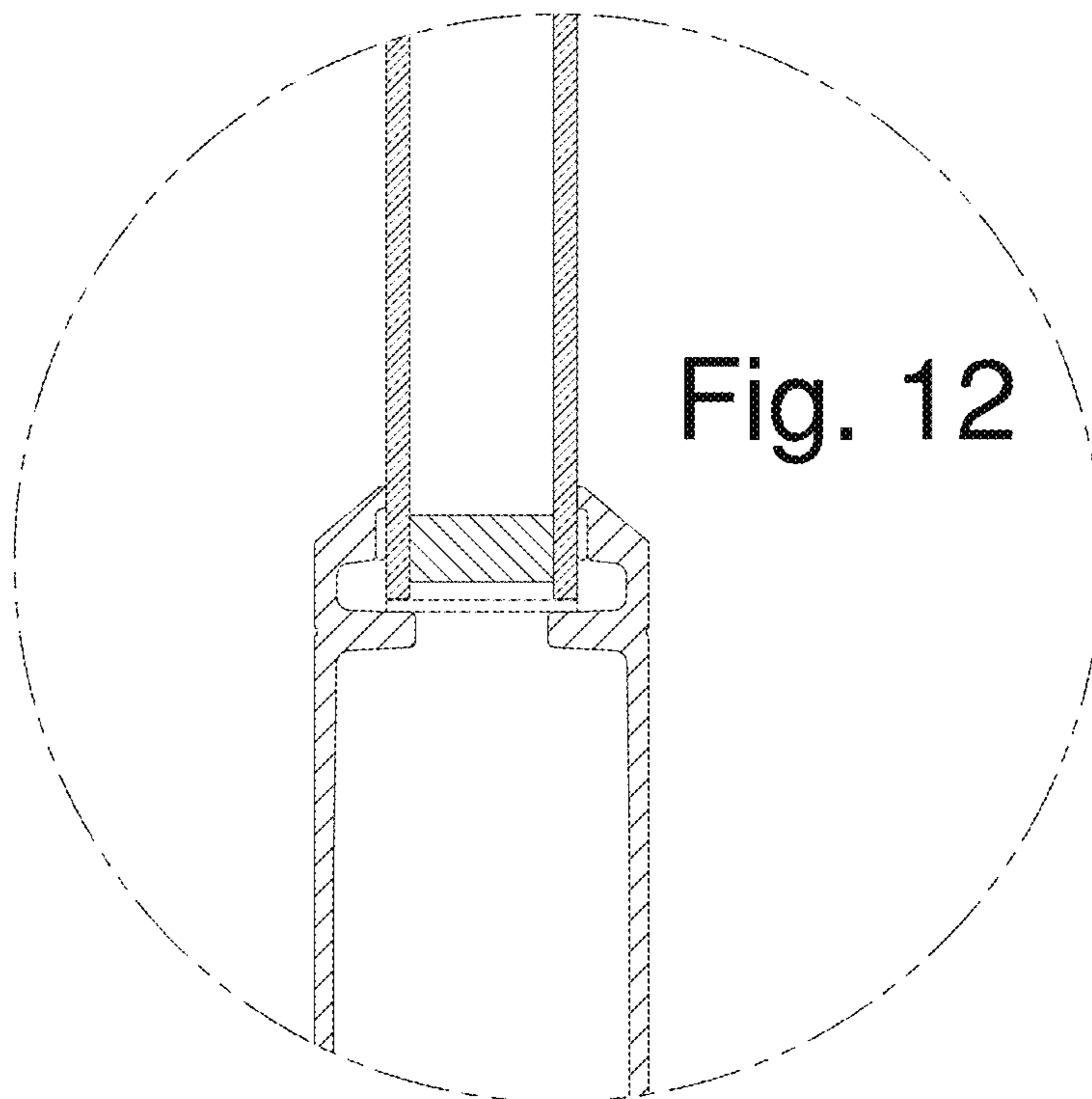
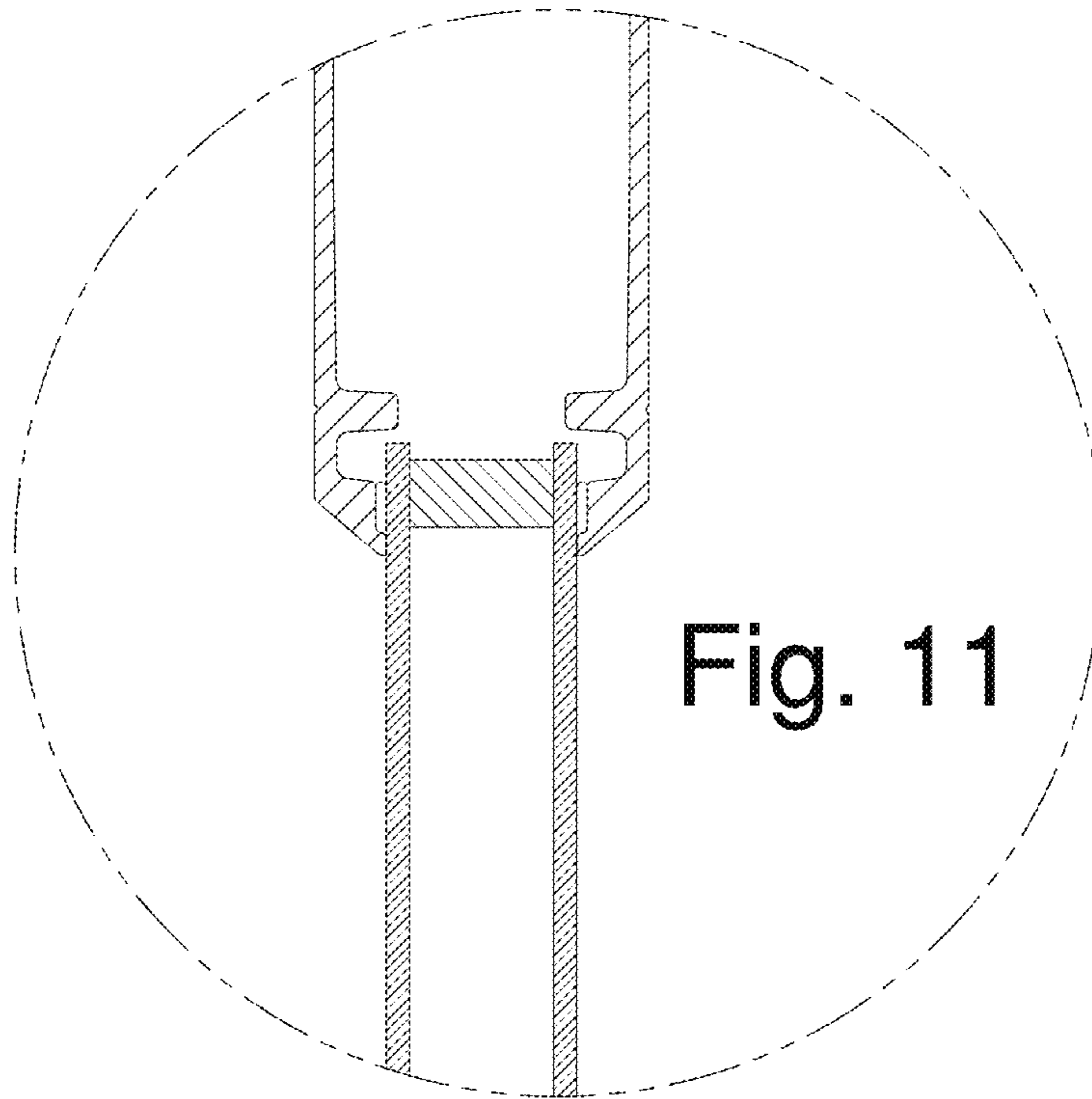


Fig. 13

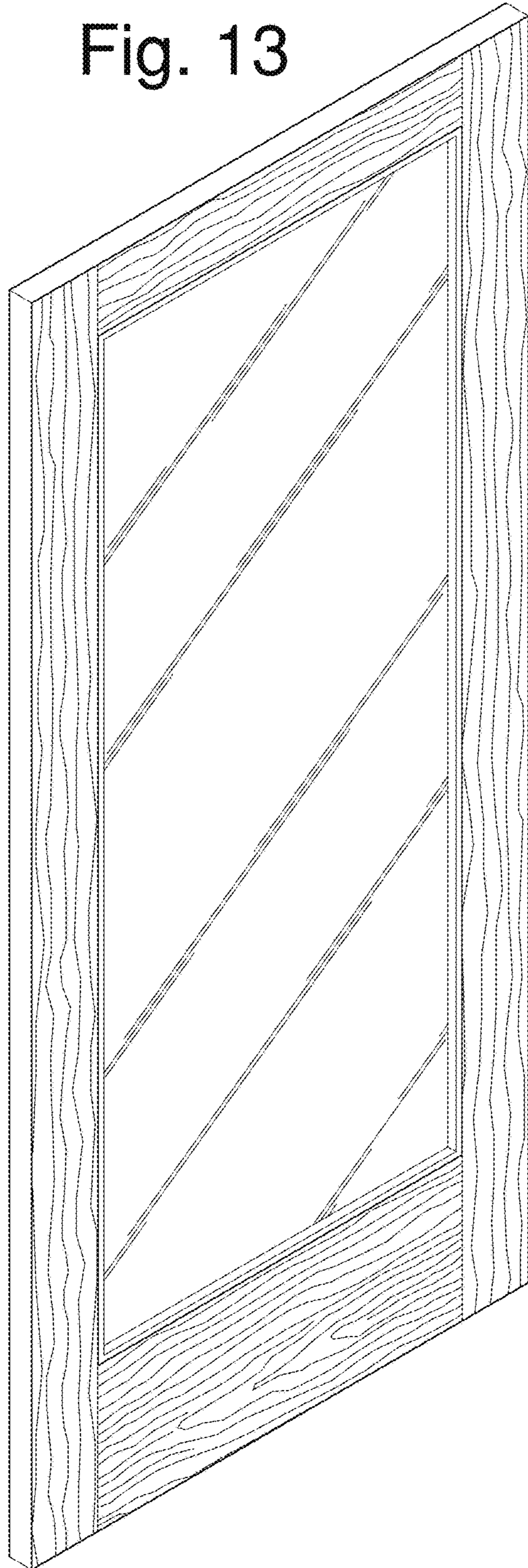


Fig. 14

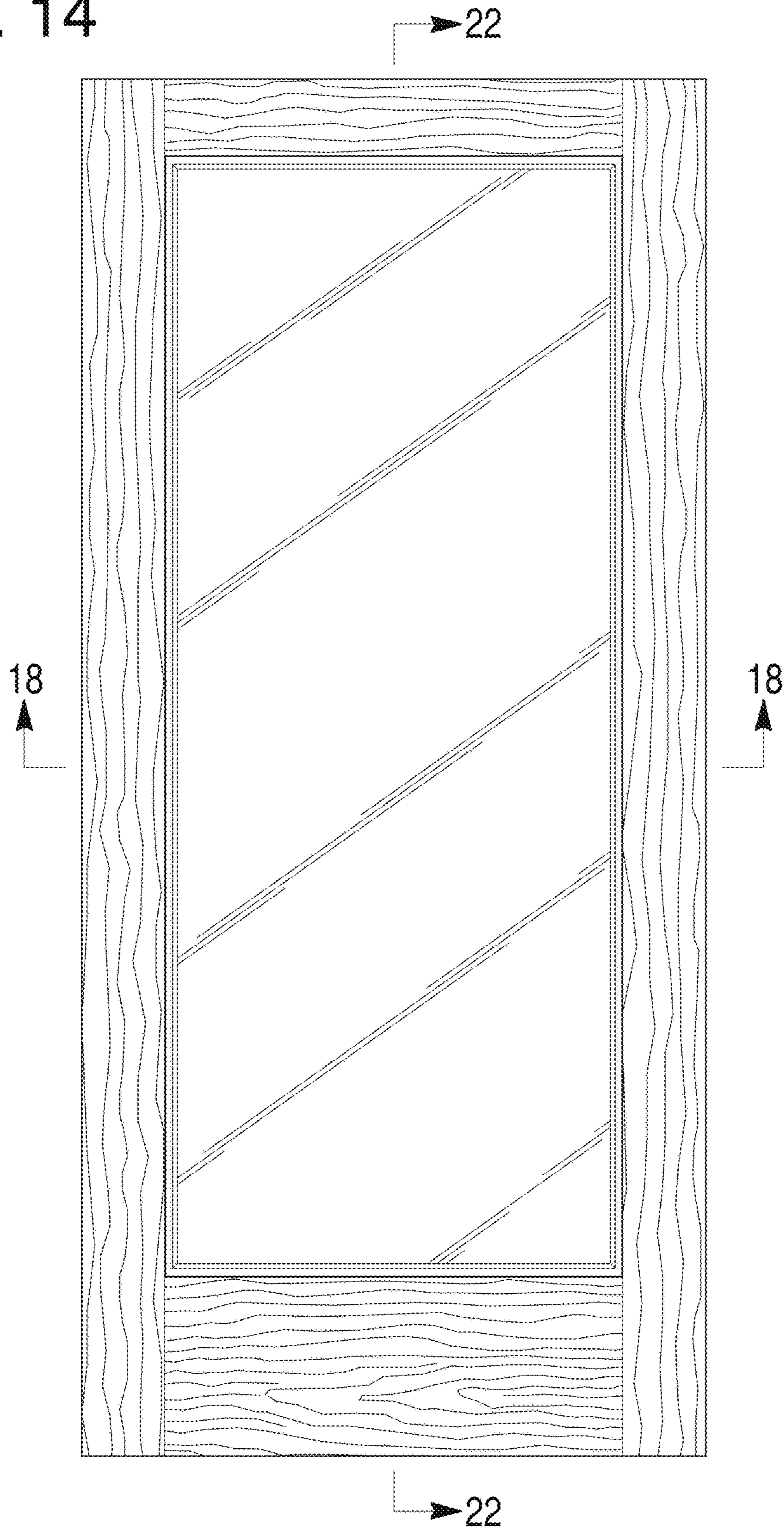


Fig. 15

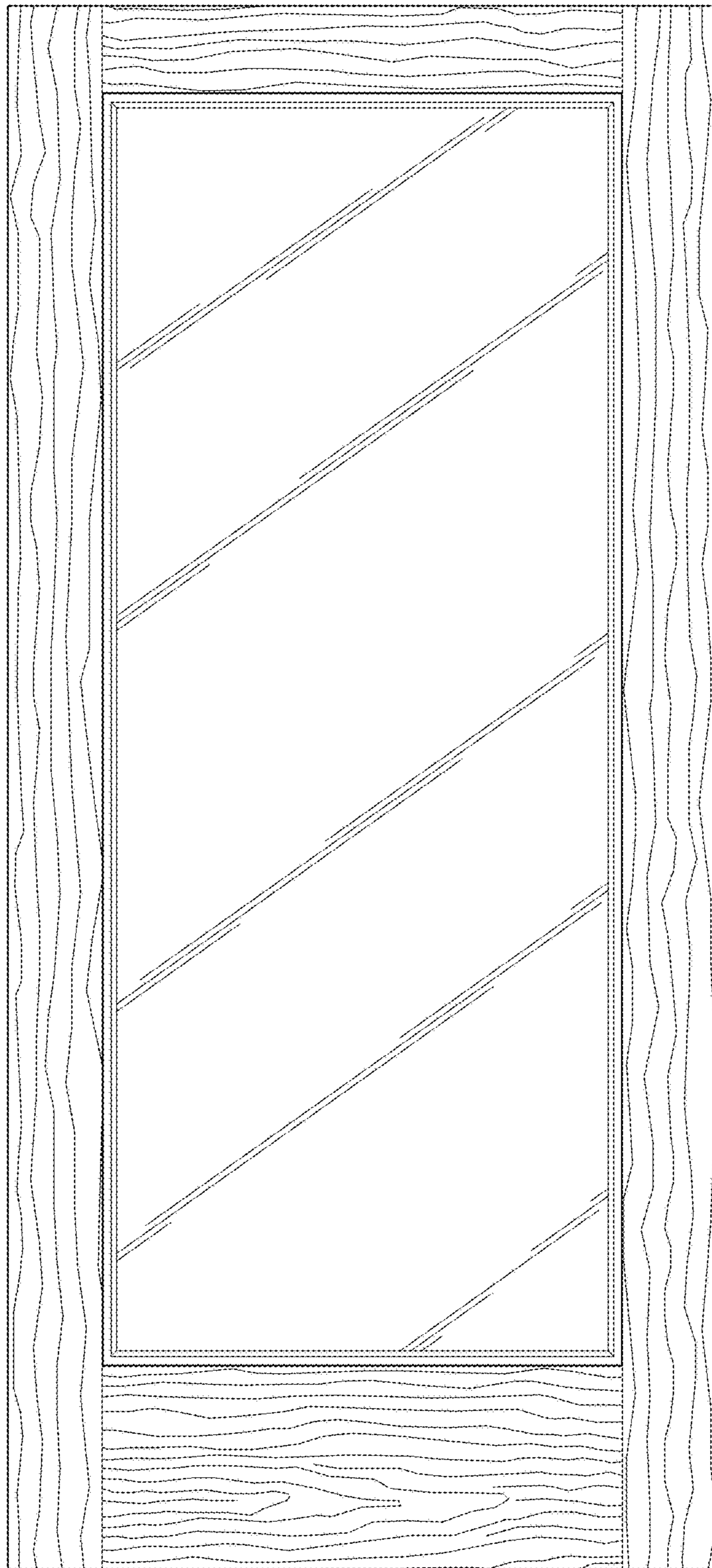


Fig. 16



Fig. 17

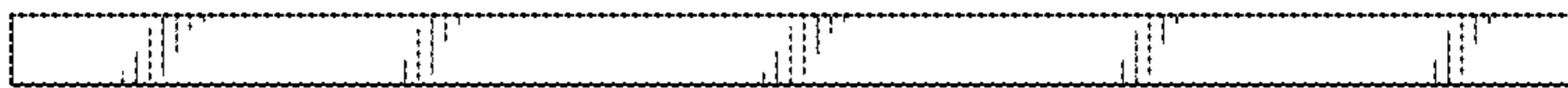


Fig. 18

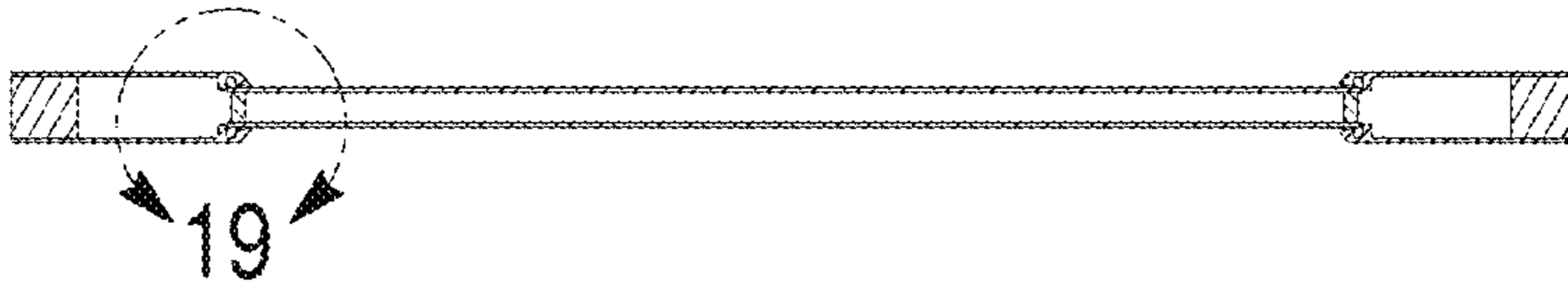


Fig. 19

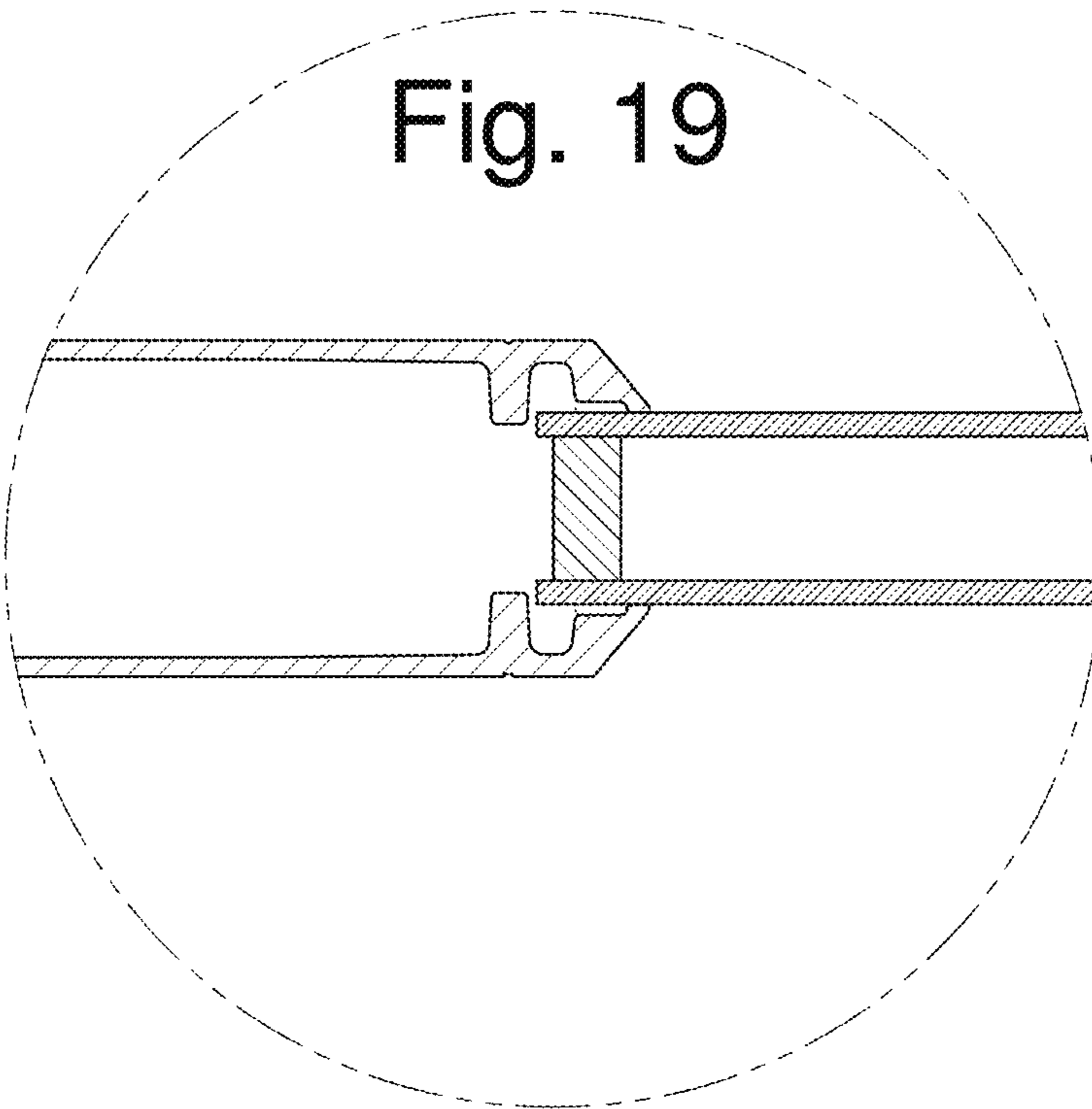


Fig. 20



Fig. 21



Fig. 22

