



US00D789552S

(12) **United States Design Patent** (10) **Patent No.:** **US D789,552 S**
Scorsone et al. (45) **Date of Patent:** **** Jun. 13, 2017**

(54) **SOLAR CANOPY**
(71) Applicant: **SolareAmerica**, Malvern, PA (US)
(72) Inventors: **John Scorsone**, Philadelphia, PA (US);
John Dolceamore, Drexel Hill, PA
(US); **Peter Officer**, Cherry Hill, NJ
(US); **Michael J. Tamburri**, Mt.
Laurel, NJ (US)

D611,405 S 3/2010 Mackler
D631,824 S 2/2011 Tanaka et al.
D643,937 S 8/2011 Boesch
D647,216 S 10/2011 Richardson
D657,736 S 4/2012 Mackler
D657,737 S 4/2012 Mackler
D657,738 S 4/2012 Mackler
D664,916 S 8/2012 Conger

(Continued)

(73) Assignee: **SolareAmerica**, Malvern, PA (US)
(**) Term: **15 Years**

(21) Appl. No.: **29/532,197**

(22) Filed: **Jul. 2, 2015**

Related U.S. Application Data

(60) Division of application No. 29/413,999, filed on Feb. 23, 2012, now Pat. No. Des. 734,870, which is a continuation-in-part of application No. 29/411,159, filed on Jan. 17, 2012, now Pat. No. Des. 672,472.

(51) **LOC (10) Cl.** **25-03**

(52) **U.S. Cl.**
USPC **D25/22**

(58) **Field of Classification Search**
USPC D25/15, 17-18, 20, 22-30, 33, 34, 56;
D13/102; 52/63, 74, 73, 66, 75, 78, 89
See application file for complete search history.

(56) **References Cited**

U.S. PATENT DOCUMENTS

D192,723 S 5/1962 Lane
5,692,534 A 12/1997 Brumfield
D408,554 S 4/1999 Dinwoodie
6,201,179 B1 3/2001 Dalacu
D511,576 S 11/2005 Shingleton et al.
7,531,741 B1 5/2009 Melton et al.
D611,404 S 3/2010 Mackler

OTHER PUBLICATIONS

Office Action issued Jul. 2, 2015 in U.S. Appl. No. 13/409,421 by Scorsone.

(Continued)

Primary Examiner — Ian Simmons
Assistant Examiner — Samantha Q Lawrence
(74) *Attorney, Agent, or Firm* — Panitch Schwarze
Belisario & Nadel LLP

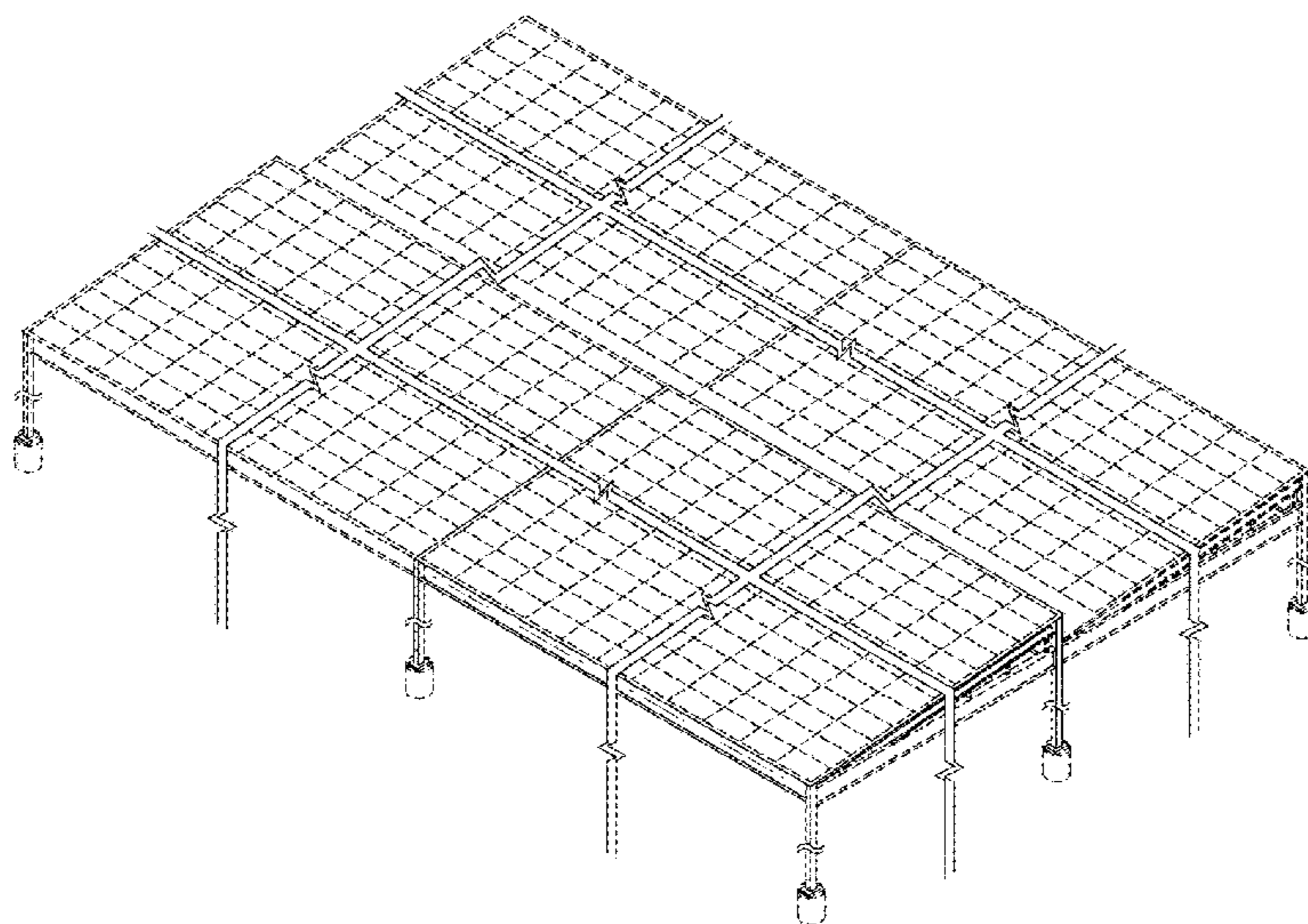
(57) **CLAIM**

The ornamental design for a solar canopy, as shown and described.

DESCRIPTION

FIG. 1 is a top perspective view of a solar canopy showing our new design;
FIG. 2 is a front elevational view thereof;
FIG. 3 is a rear elevational view thereof;
FIG. 4 is a right side elevational view thereof,
FIG. 5 is a left side elevational view thereof; and,
FIG. 6 is a top plan view thereof.
The broken lines in the figures illustrate portions of the solar canopy that form no part of the claimed design.
The solar canopy is shown with symbolic break lines in its length, width and height. The appearance of any portion of the solar canopy between the break lines forms no part of the claimed design.

1 Claim, 4 Drawing Sheets



(56)

References Cited

U.S. PATENT DOCUMENTS

D665,731	S	8/2012	Conger	
D671,885	S	12/2012	Steinau	
D672,472	S	12/2012	Dolceamore et al.	
D697,864	S	1/2014	McGrath	
8,640,394	B2	2/2014	Richardson	
D701,828	S	4/2014	Garrett-Schesch	
8,701,356	B2	4/2014	Forsland et al.	
8,825,500	B2 *	9/2014	DeBartolo, III E04H 6/025 126/621
D751,976	S *	3/2016	Mackler D13/102
D754,064	S *	4/2016	Mackler D13/102
2009/0050194	A1	2/2009	Noble et al.	
2009/0266400	A1	10/2009	DeLiddo et al.	
2010/0243023	A1	9/2010	Patton et al.	
2010/0269428	A1	10/2010	Stancel et al.	
2010/0314509	A1	12/2010	Conger	
2011/0094569	A1	4/2011	Hartley et al.	
2011/0179727	A1	7/2011	Liu	
2011/0233157	A1	9/2011	Kmita	
2012/0016815	A1	1/2012	Debartolo, III et al.	
2012/0017526	A1	1/2012	Eide	
2012/0031456	A1	2/2012	Christman et al.	
2012/0031463	A1	2/2012	Schmaelzle et al.	
2012/0037214	A1	2/2012	Sagayama	
2012/0167960	A1	7/2012	Scorsone et al.	

OTHER PUBLICATIONS

Office Action issued Mar. 24, 2016 in U.S. Appl. No. 13/409,421 by Scorsone.
 Office Action issued Dec. 18, 2014 in U.S. Appl. No. 13/409,421 by Scorsone.
 Office Action issued Nov. 21, 2014 in U.S. Appl. No. 29/413,999 by Scorsone.

* cited by examiner

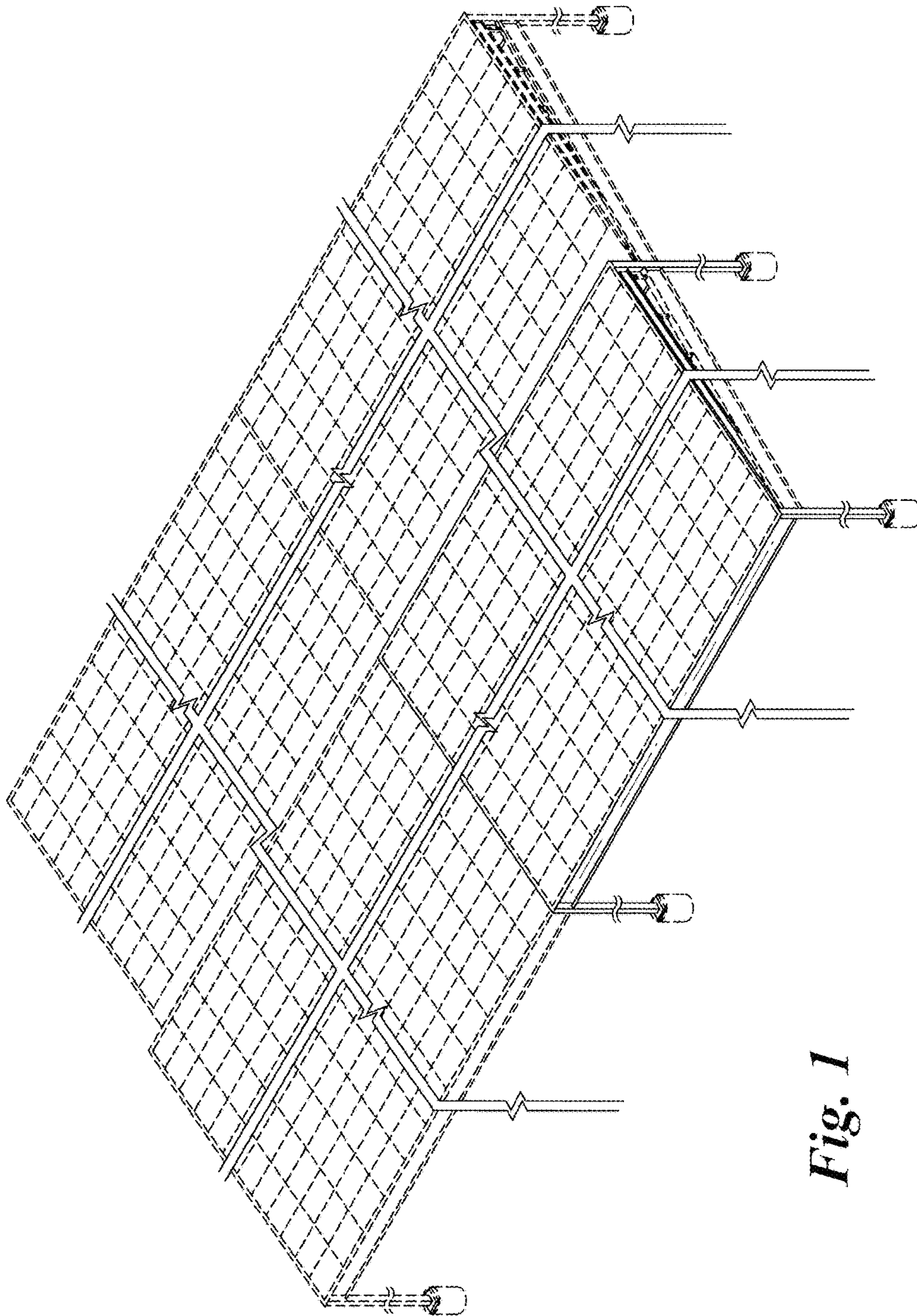


Fig. 1

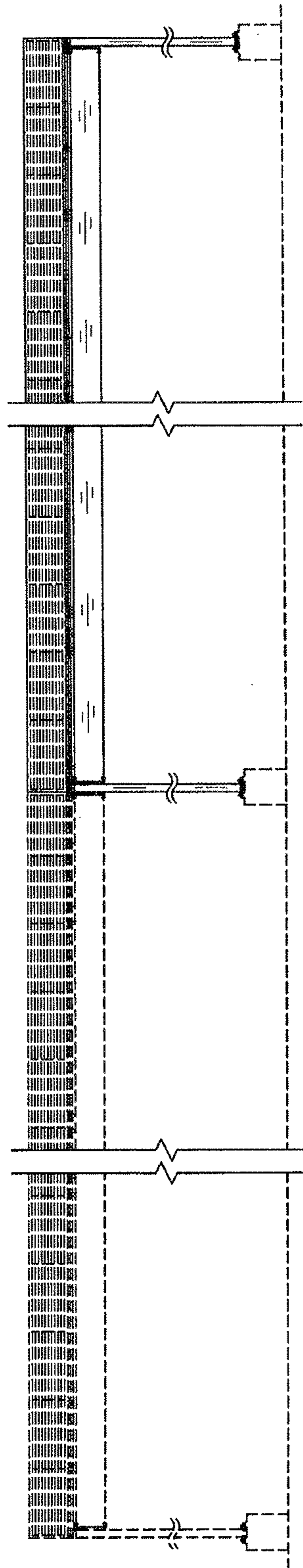


FIG. 2

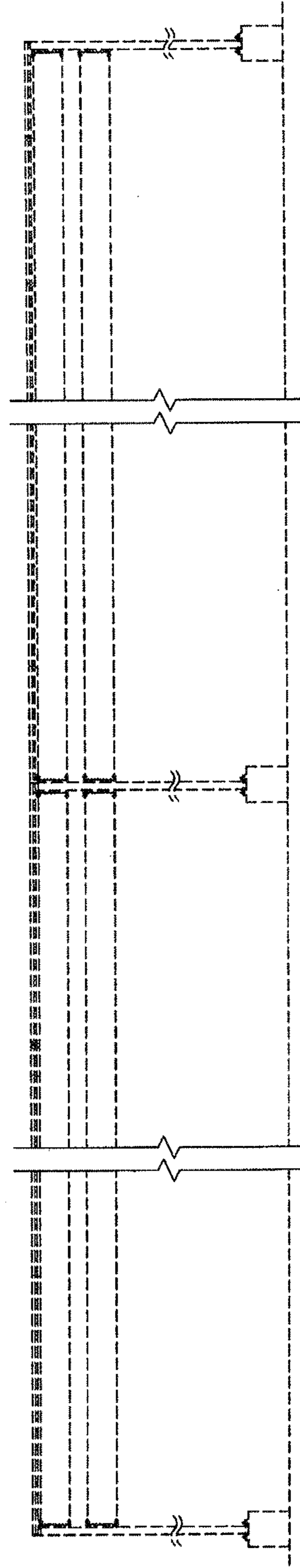


FIG. 3

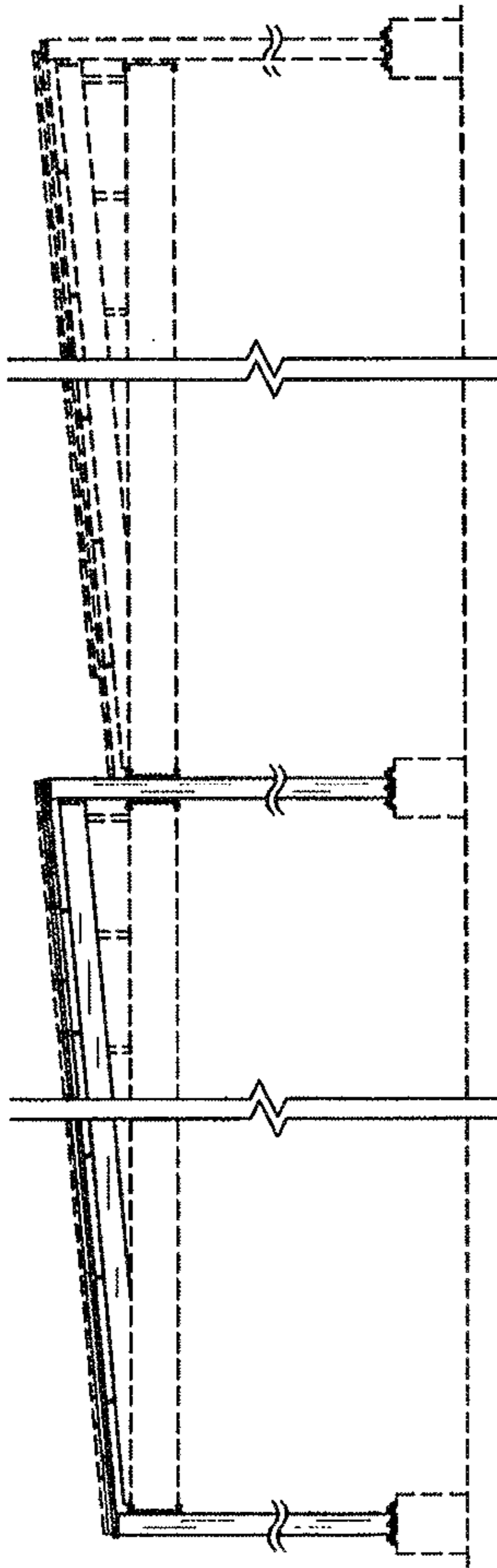


FIG. 4

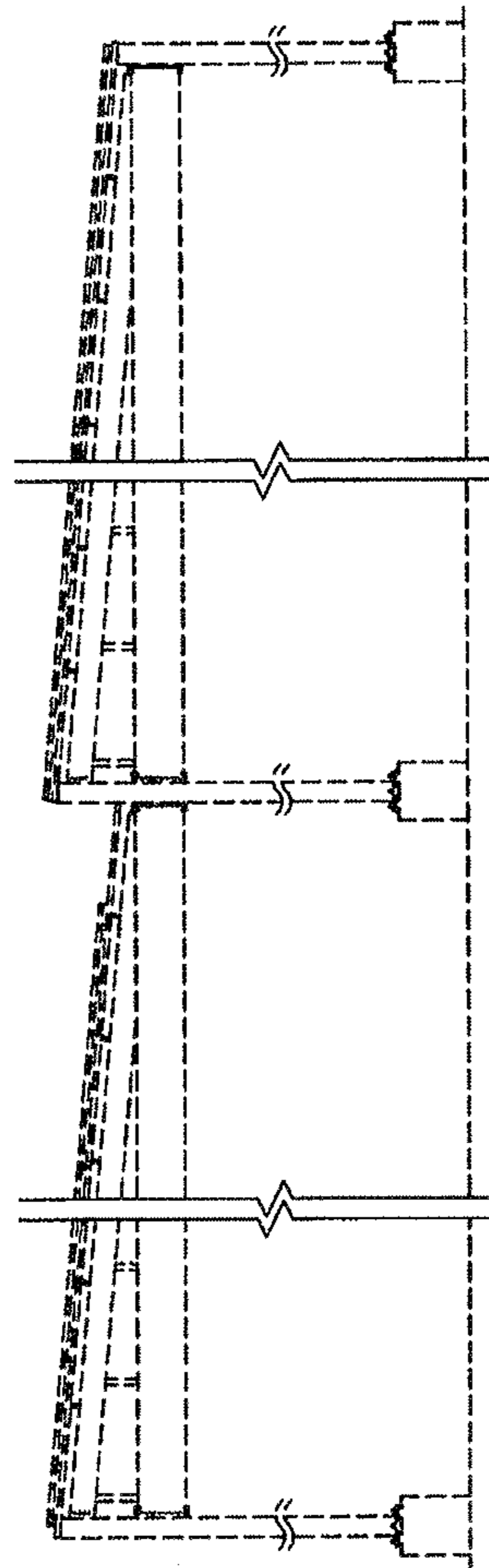


FIG. 5

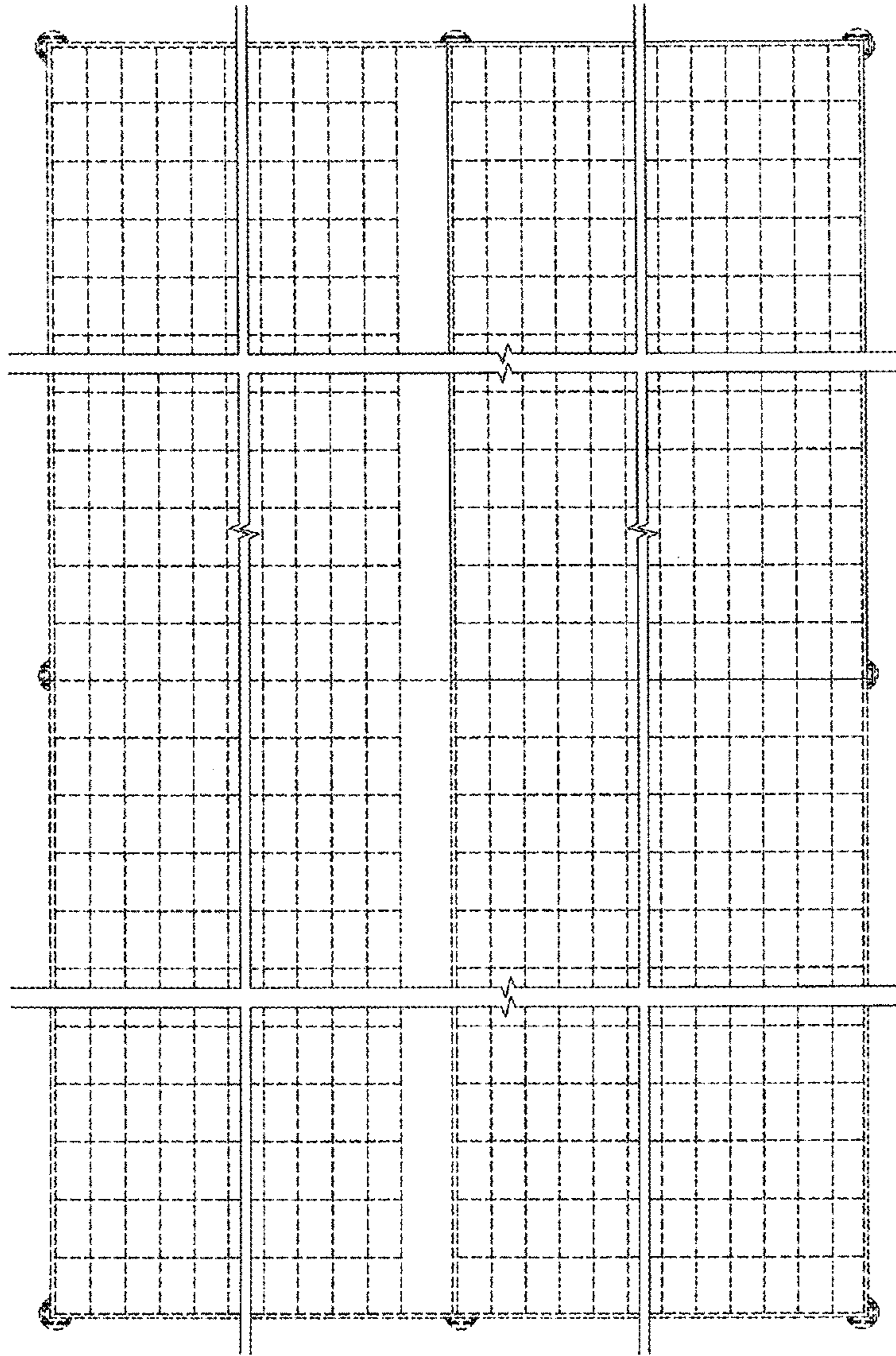


FIG. 6