



US00D789551S

(12) **United States Design Patent**  
**Mayer et al.**

(10) **Patent No.:** **US D789,551 S**  
(45) **Date of Patent:** **\*\* Jun. 13, 2017**

- (54) **PRIVACY POD**
- (71) Applicant: **Mamava Inc.**, Burlington, VT (US)
- (72) Inventors: **Sascha Mayer**, Williston, VT (US);  
**David Jaacks**, Brownsville, VT (US)
- (73) Assignee: **Mamava Inc.**, Burlington, VT (US)
- (\*\*) Term: **15 Years**
- (21) Appl. No.: **29/544,103**
- (22) Filed: **Oct. 30, 2015**
- (51) **LOC (10) Cl.** ..... **25-03**
- (52) **U.S. Cl.**  
USPC ..... **D25/16**
- (58) **Field of Classification Search**  
USPC ..... D25/1, 4, 12, 15, 16-18, 21, 31-34, 56,  
D25/10, 22, 61, 19, 30; D21/837; 52/86,  
52/73-78, 79.1  
CPC ..... E04B 7/08; E04B 1/3205; E04B 1/3416;  
E04B 1/3408; E04H 15/36; E04H  
1/1205-1/14; E04H 1/02  
See application file for complete search history.

- D726,332 S \* 4/2015 Barbosa ..... D25/16
- D731,077 S \* 6/2015 Lehmann ..... D25/16
- D754,363 S \* 4/2016 Rowley ..... D25/16
- 2002/0194796 A1\* 12/2002 Kress ..... E04H 3/08  
52/79.1
- 2013/0031845 A1\* 2/2013 Ali ..... E04H 9/14  
52/79.1
- 2013/0067834 A1\* 3/2013 Downey ..... E04H 1/125  
52/173.1

- (56) **References Cited**  
**U.S. PATENT DOCUMENTS**  
3,778,528 A \* 12/1973 Heifetz ..... E04B 1/34846  
D25/4  
4,514,938 A \* 5/1985 Maguire ..... E04B 1/34815  
D25/33  
D325,979 S \* 5/1992 Mahler ..... D25/16  
D367,687 S \* 3/1996 Carter ..... D25/16  
5,533,305 A \* 7/1996 Bielecki ..... E04H 1/1277  
52/79.1  
6,467,221 B1\* 10/2002 Bigelow ..... B64D 11/00  
52/79.1  
D566,854 S \* 4/2008 Blassingame ..... D25/16  
D568,495 S \* 5/2008 Kennedy ..... D25/1  
D583,963 S \* 12/2008 Perez Lazala ..... D25/16  
D638,551 S \* 5/2011 Gann ..... D25/16

**OTHER PUBLICATIONS**

Ian Staples, Mamava Lactation Station, Jul. 22, 2013, coroflot.com, www.coroflot.com/ian-staples/Mamava-Lactation-Station.\*  
Mamava website: <http://mamava.com/mamava-lactation-suite/>  
Images throughout, first published May 2013.

\* cited by examiner

*Primary Examiner* — Susan Bennett Hattan  
*Assistant Examiner* — Brett Miller  
(74) *Attorney, Agent, or Firm* — Alan Coté; Green Mountain Innovations LLC

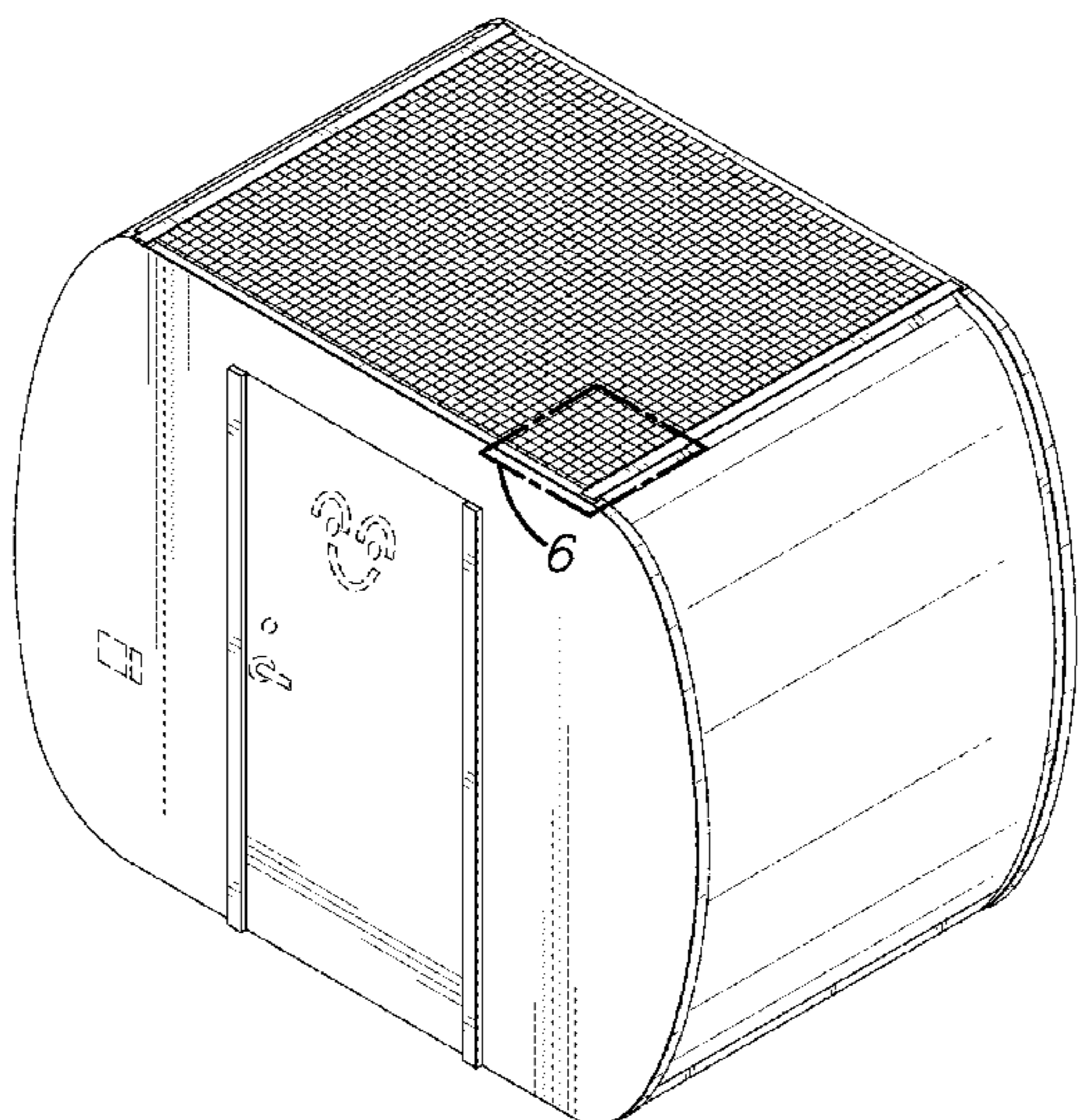
(57) **CLAIM**

The ornamental design for a privacy pod, as shown and described.

**DESCRIPTION**

FIG. 1 is a front perspective view of a privacy pod, FIG. 2 is a front elevation view thereof, FIG. 3 is a left end view thereof, FIG. 4 is a top view thereof top view thereof, FIG. 5 is a bottom view thereof; and, FIG. 6 is an enlarged detail view of the top, right, front corner.  
The even length broken lines depict environment and form no part of the claim.  
The dash-dot broken lines depict the locations and borders of detailed views and form no part of the claim.

**1 Claim, 4 Drawing Sheets**



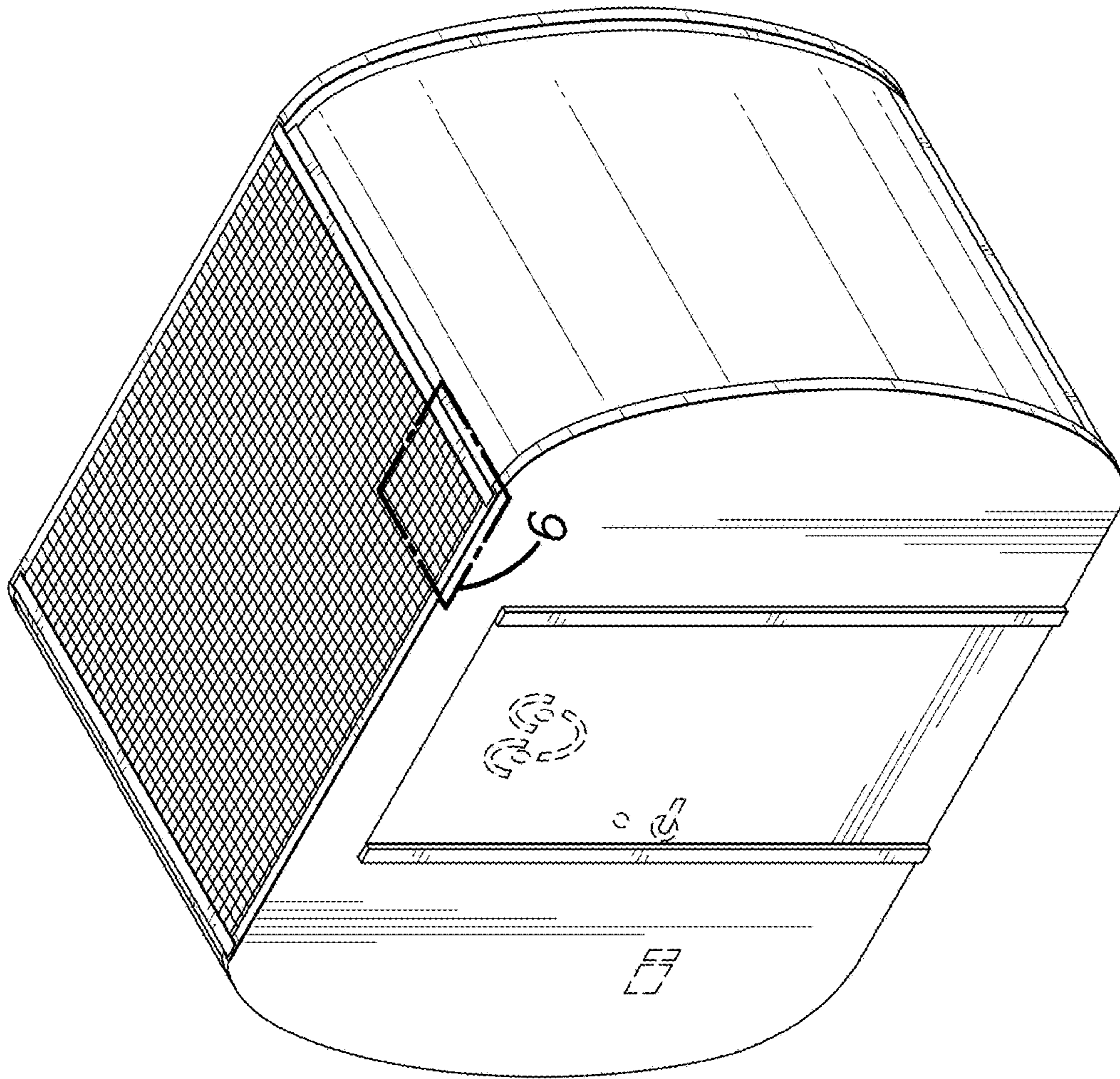


FIG. 1

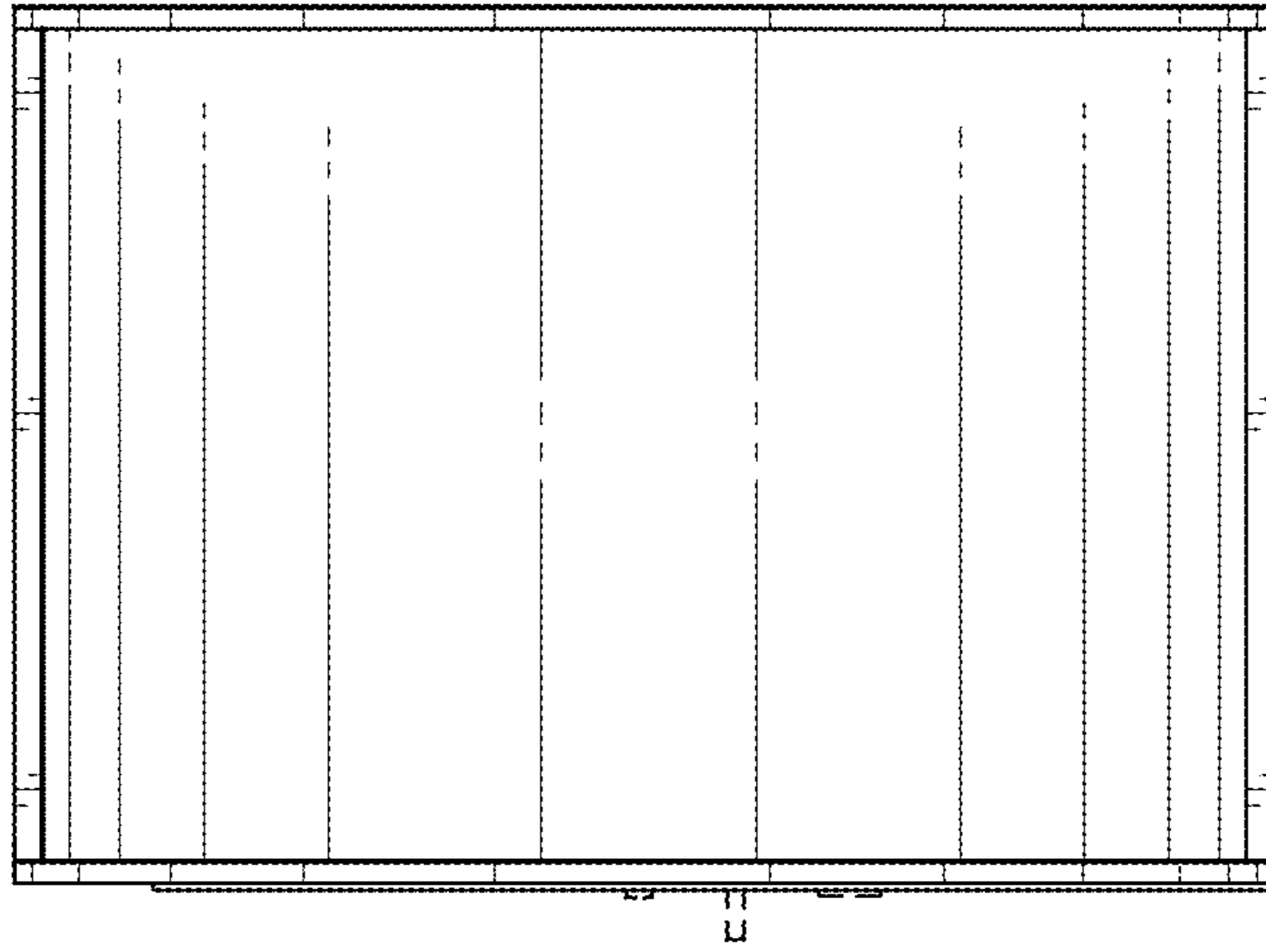


FIG. 3

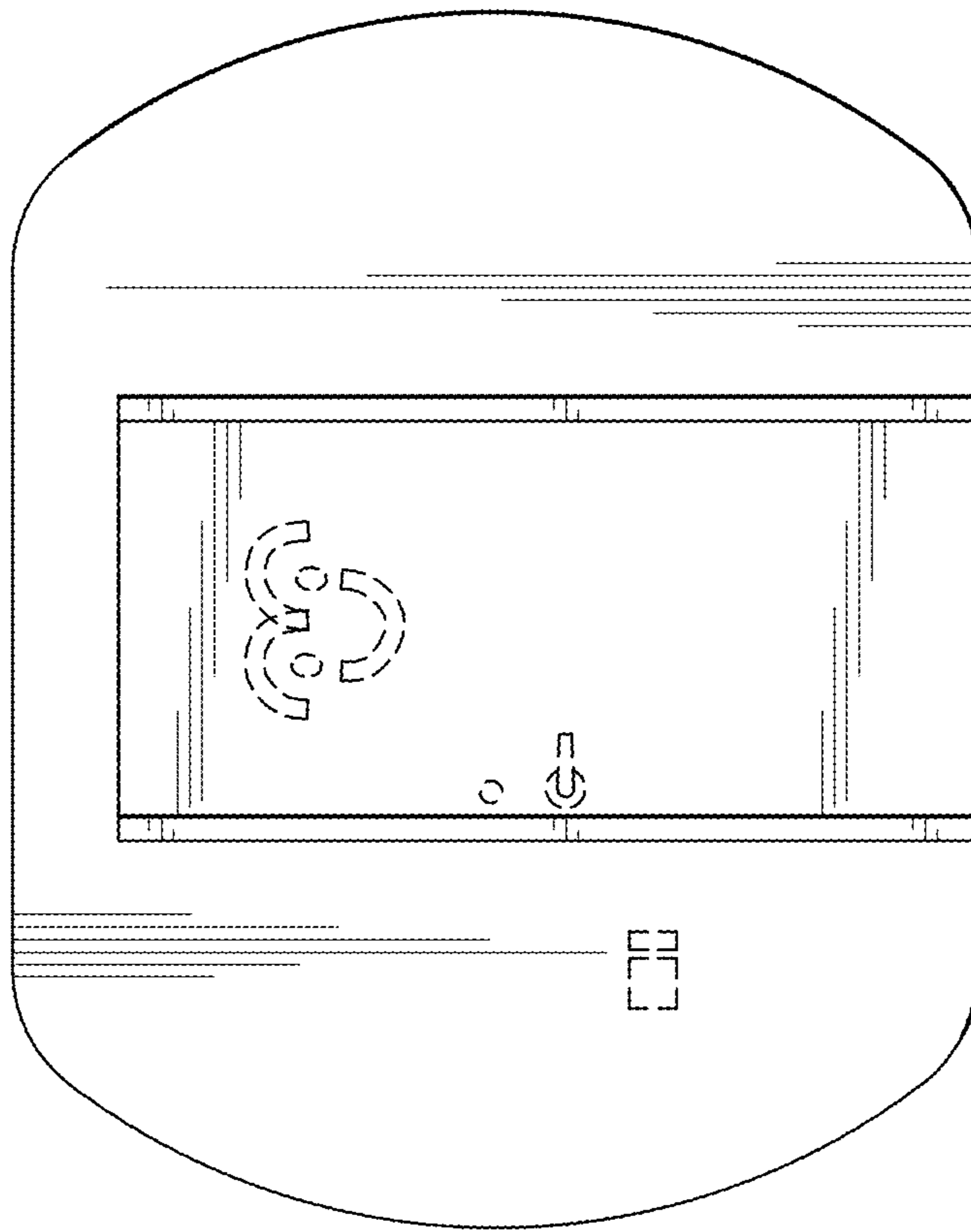
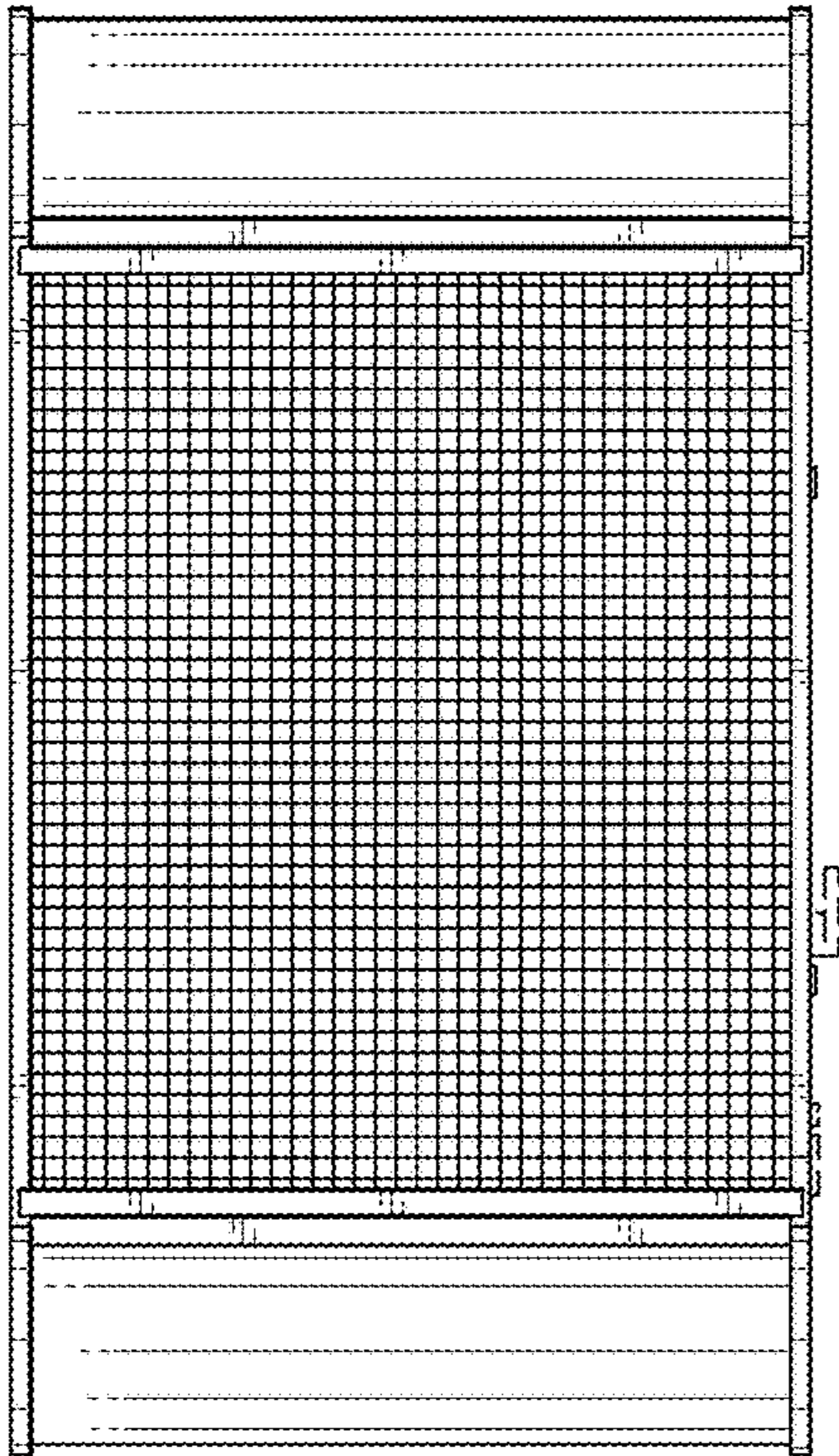
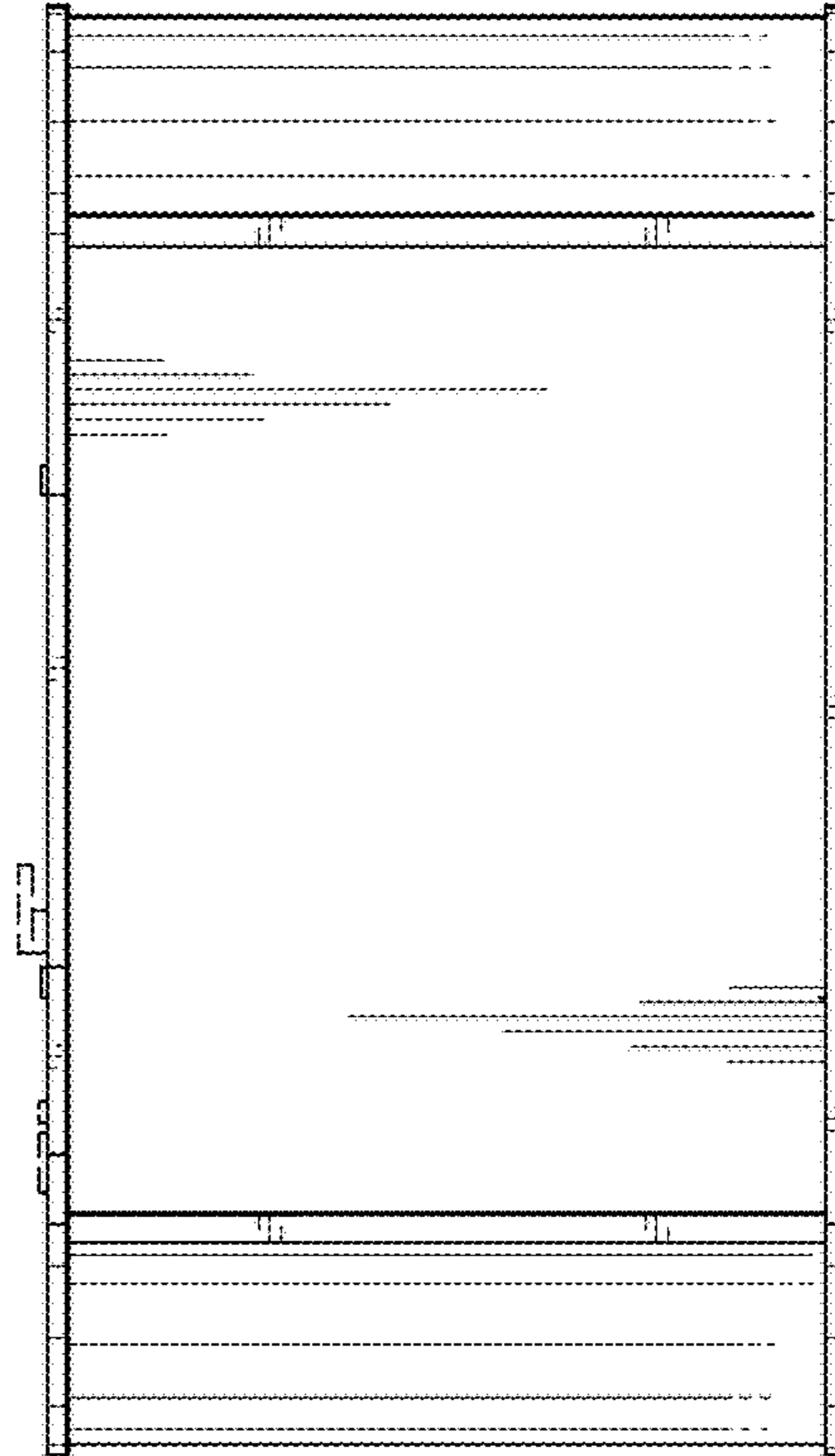


FIG. 2



*FIG. 4*



*FIG. 5*

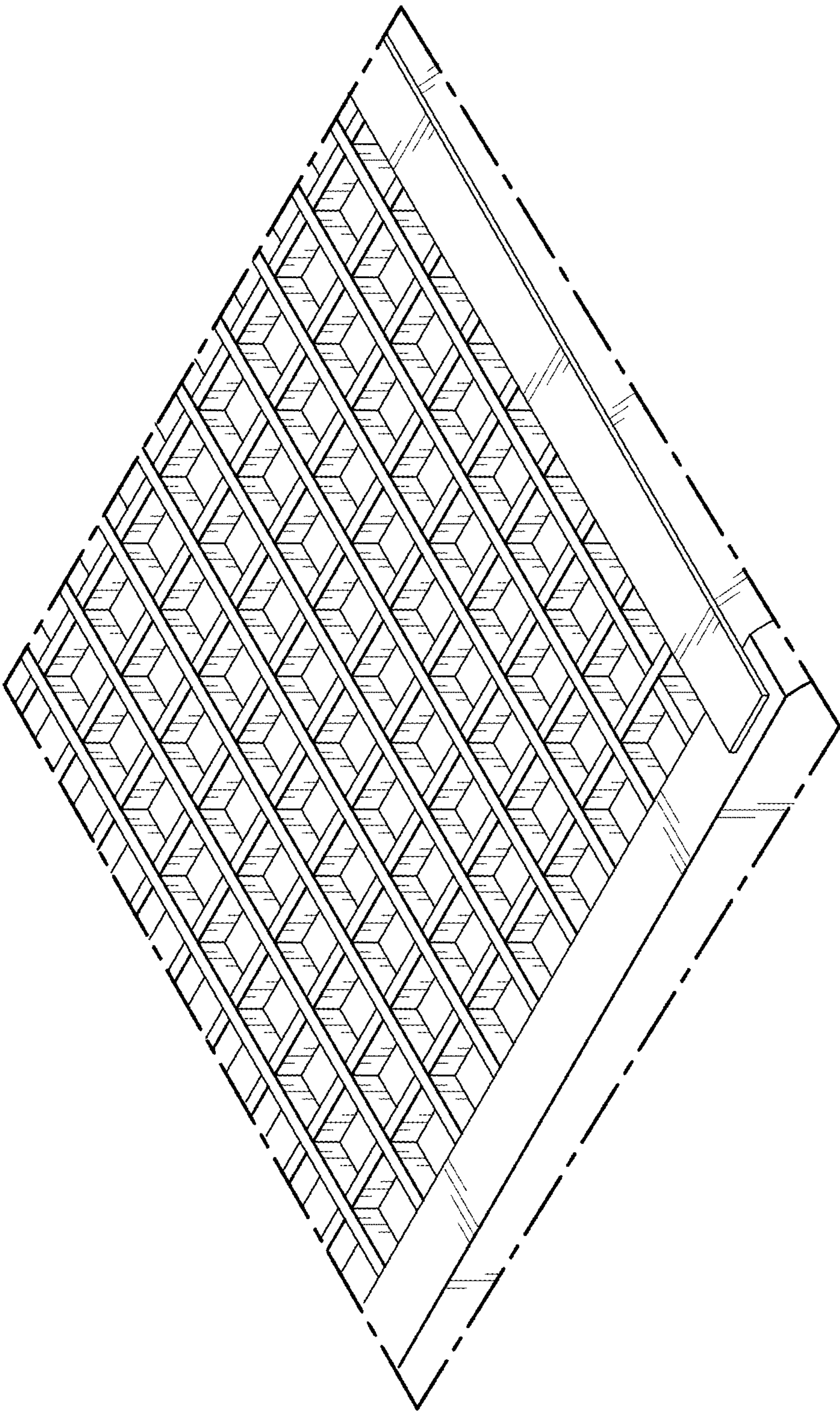


FIG. 6