



US00D789550S

(12) **United States Design Patent** (10) **Patent No.:** **US D789,550 S**
Ludlow et al. (45) **Date of Patent:** **** Jun. 13, 2017**

(54) **VIAL HOLDER** 4,278,225 A * 7/1981 Phelps A61J 1/06
248/311.3
(71) Applicant: **HOLOGIC, INC.**, Marlborough, MA D500,363 S * 12/2004 Fanning D24/227
(US) D501,562 S * 2/2005 Smith D24/216
D501,680 S * 2/2005 Smith D24/216
(72) Inventors: **Eileen Ludlow**, Groton, MA (US); D720,466 S * 12/2014 Edding D24/216
Ryan Oliva, Marlborough, MA (US) D750,801 S * 3/2016 Sharpe D24/230
2015/0210432 A1* 7/2015 Lam B65D 25/04
206/459.5

(73) Assignee: **HOLOGIC, INC.**, Marlborough, MA (US) * cited by examiner
(**) Term: **15 Years**
Primary Examiner — Susan Bennett Hattan
Assistant Examiner — Rebecca Tsehaye
(74) Attorney, Agent, or Firm — Vista IP Law Group LLP

(21) Appl. No.: **29/555,074**

(22) Filed: **Feb. 18, 2016**

(51) **LOC (10) Cl.** **24-02**

(52) **U.S. Cl.**
USPC **D24/230**

(58) **Field of Classification Search**
USPC D24/107, 216, 224–232; 220/500, 505,
220/528; 600/300, 556
CPC A61J 1/06; A61J 1/065; A61J 1/067; A41J
41/02; B65D 25/04
See application file for complete search history.

(56) **References Cited**

U.S. PATENT DOCUMENTS

3,229,949 A * 1/1966 Chaconas A47J 41/02
215/376
D241,660 S * 9/1976 Shine D24/230
D247,822 S * 5/1978 Hein 600/556
D255,155 S * 5/1980 Meurer D23/209

* cited by examiner
Primary Examiner — Susan Bennett Hattan
Assistant Examiner — Rebecca Tsehaye
(74) Attorney, Agent, or Firm — Vista IP Law Group LLP

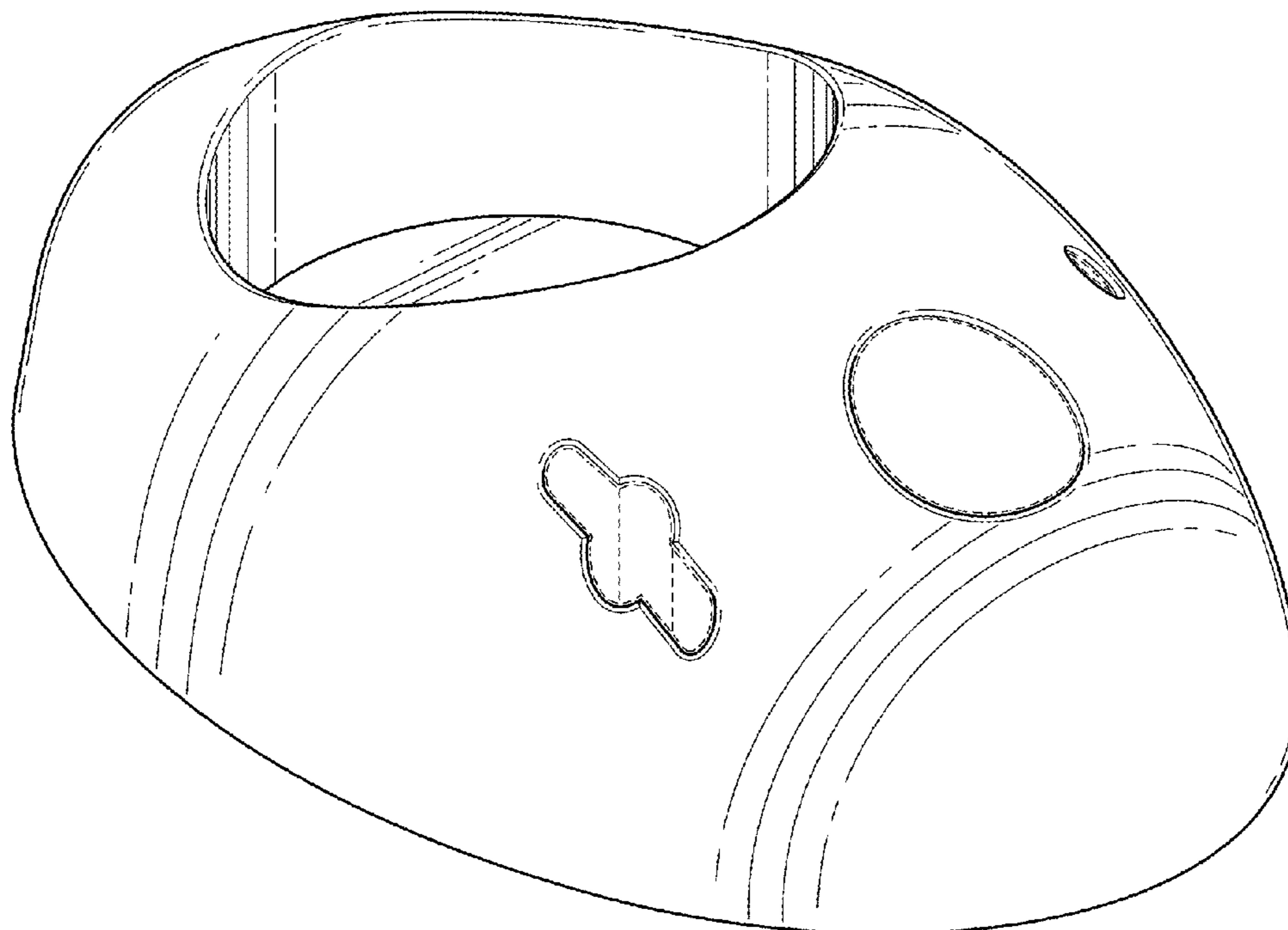
(57) **CLAIM**

The ornamental design for the vial holder, as shown and described.

DESCRIPTION

FIG. 1 is a perspective view of the vial holder, showing our new design;
FIG. 2 is a front elevation view thereof;
FIG. 3 is a rear elevation view thereof;
FIG. 4 is a right side elevation view thereof;
FIG. 5 is a left side elevation view thereof;
FIG. 6 is a top plan view thereof; and,
FIG. 7 is a bottom plan view thereof.
The broken lines in the figures define the bounds of the claim and form no part of the claimed design. The claimed subject matter extends to the boundary but does not include the boundary.

1 Claim, 7 Drawing Sheets



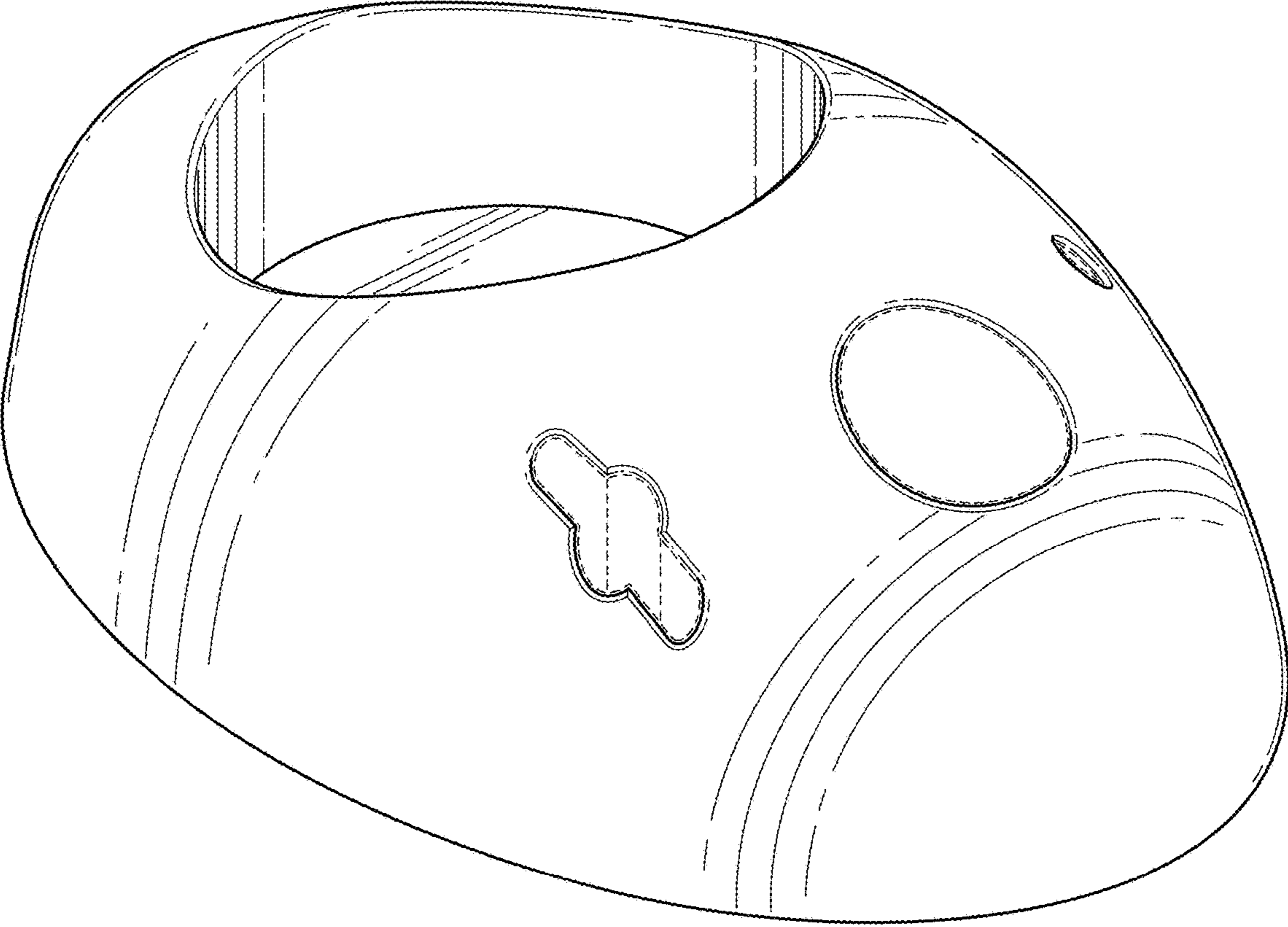


FIG. 1

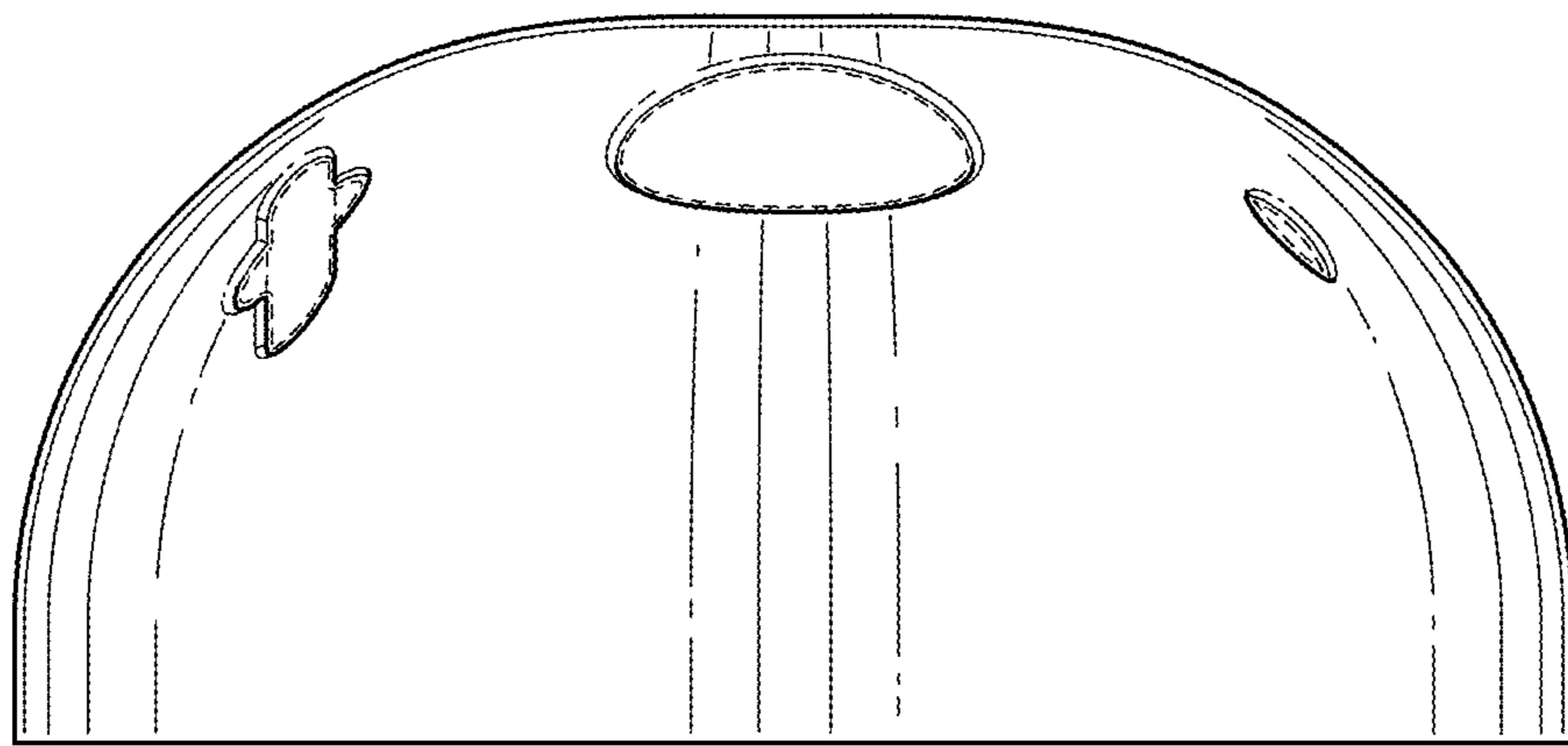


FIG. 2

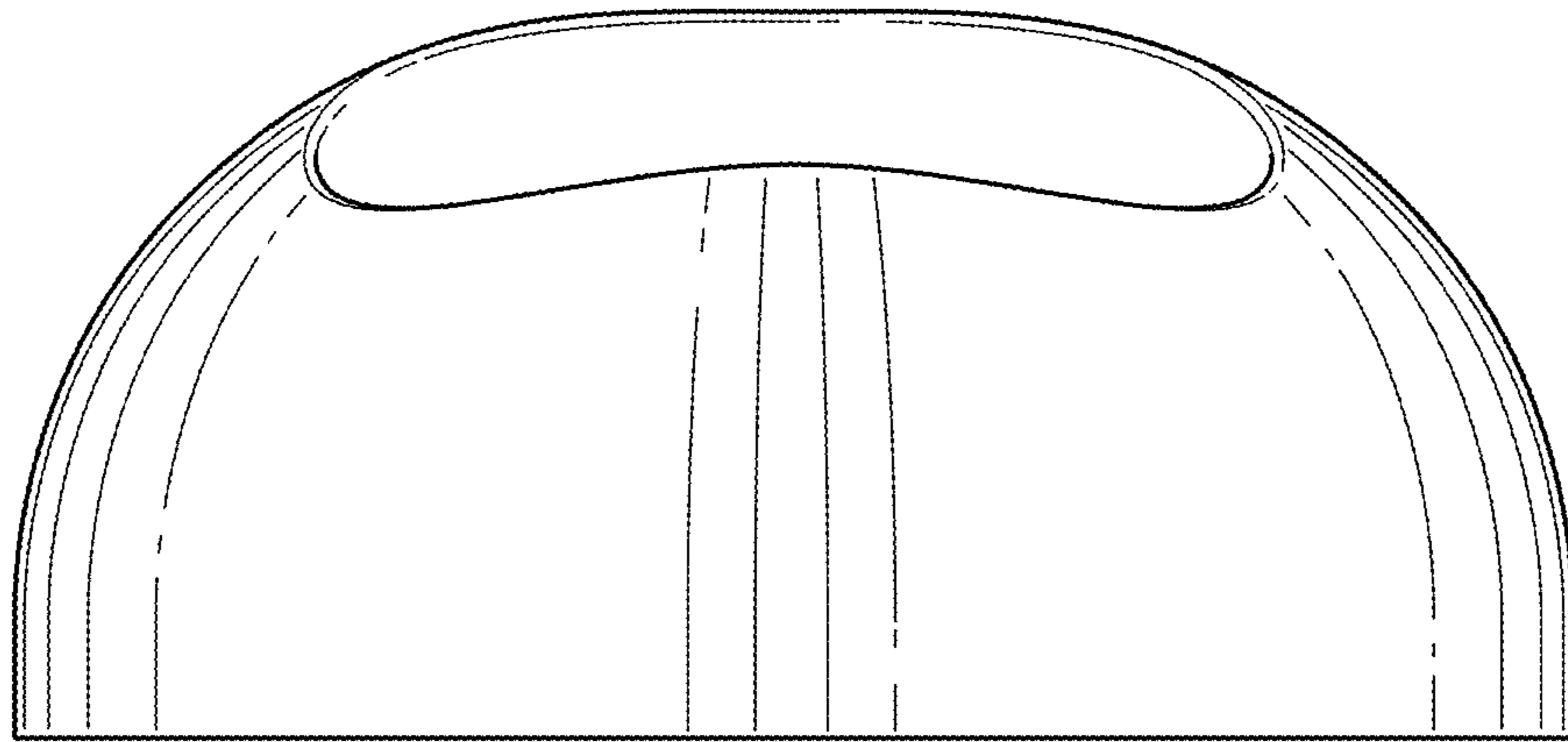


FIG. 3

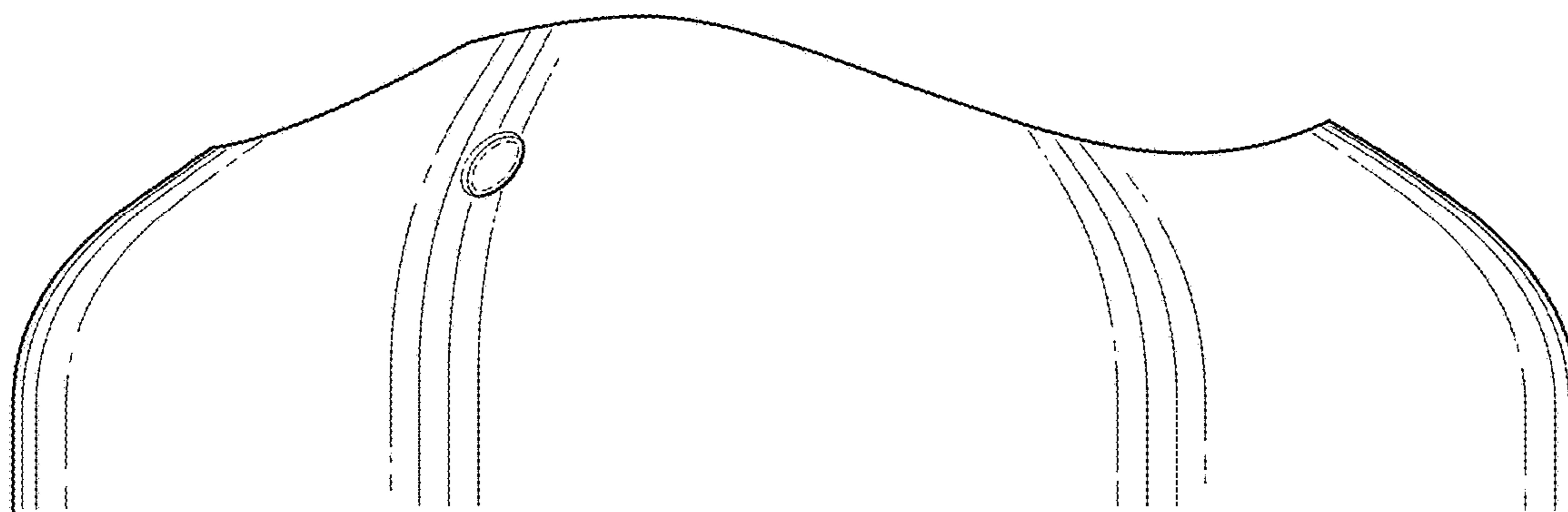


FIG. 4

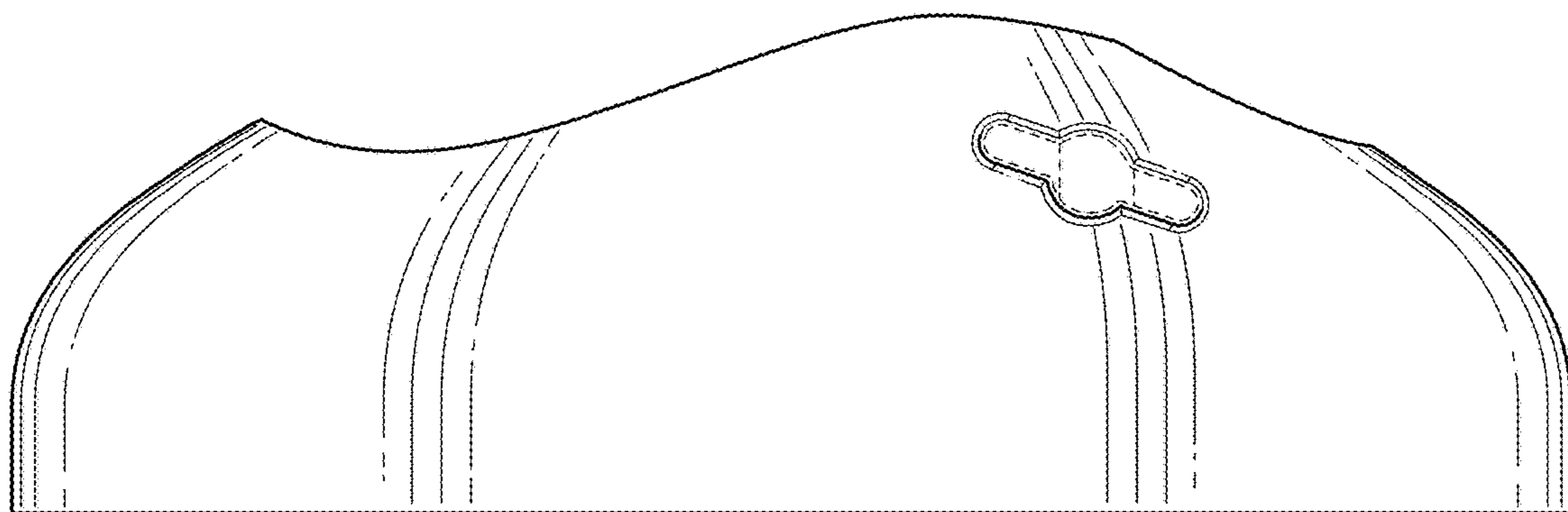


FIG. 5

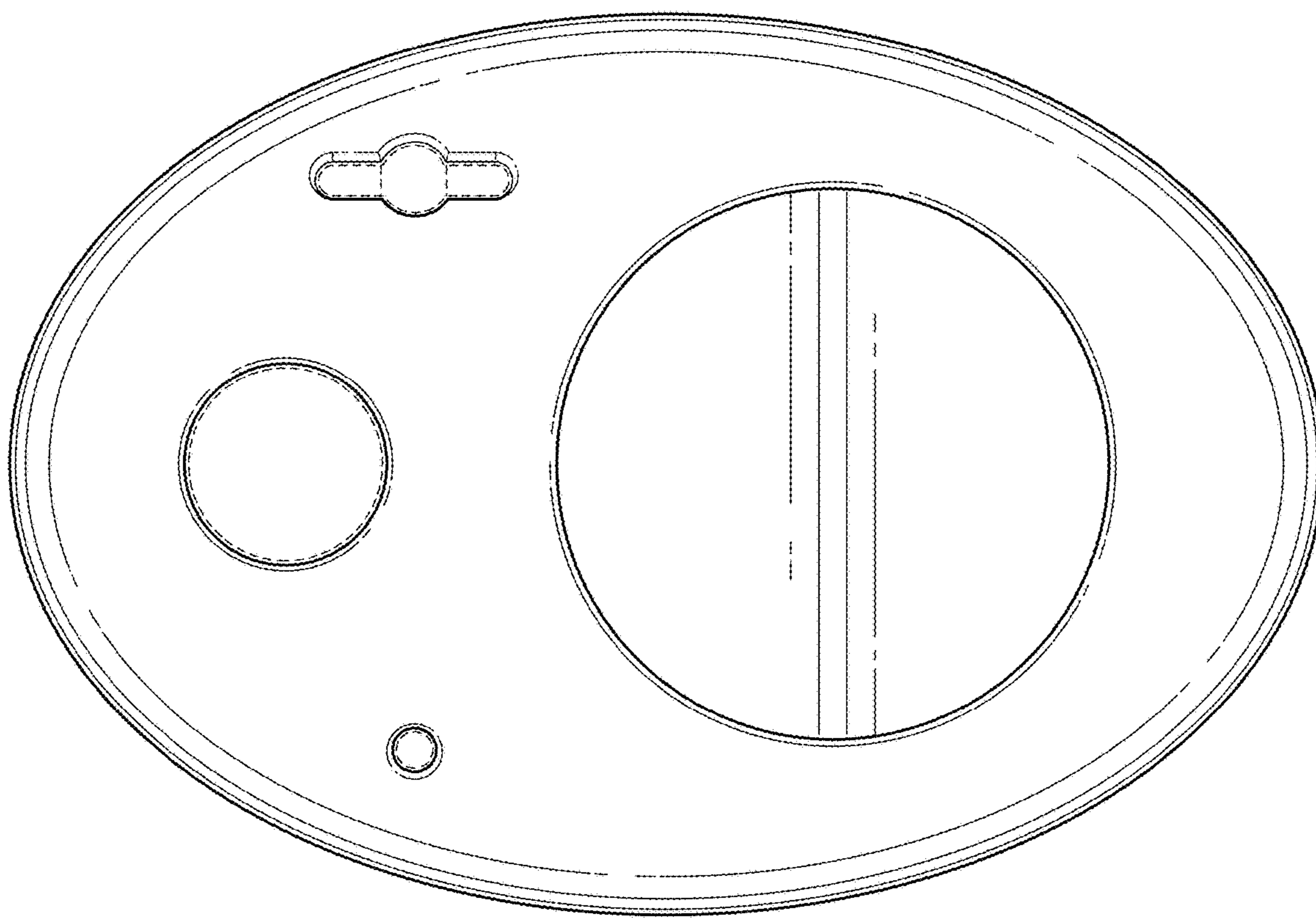


FIG. 6

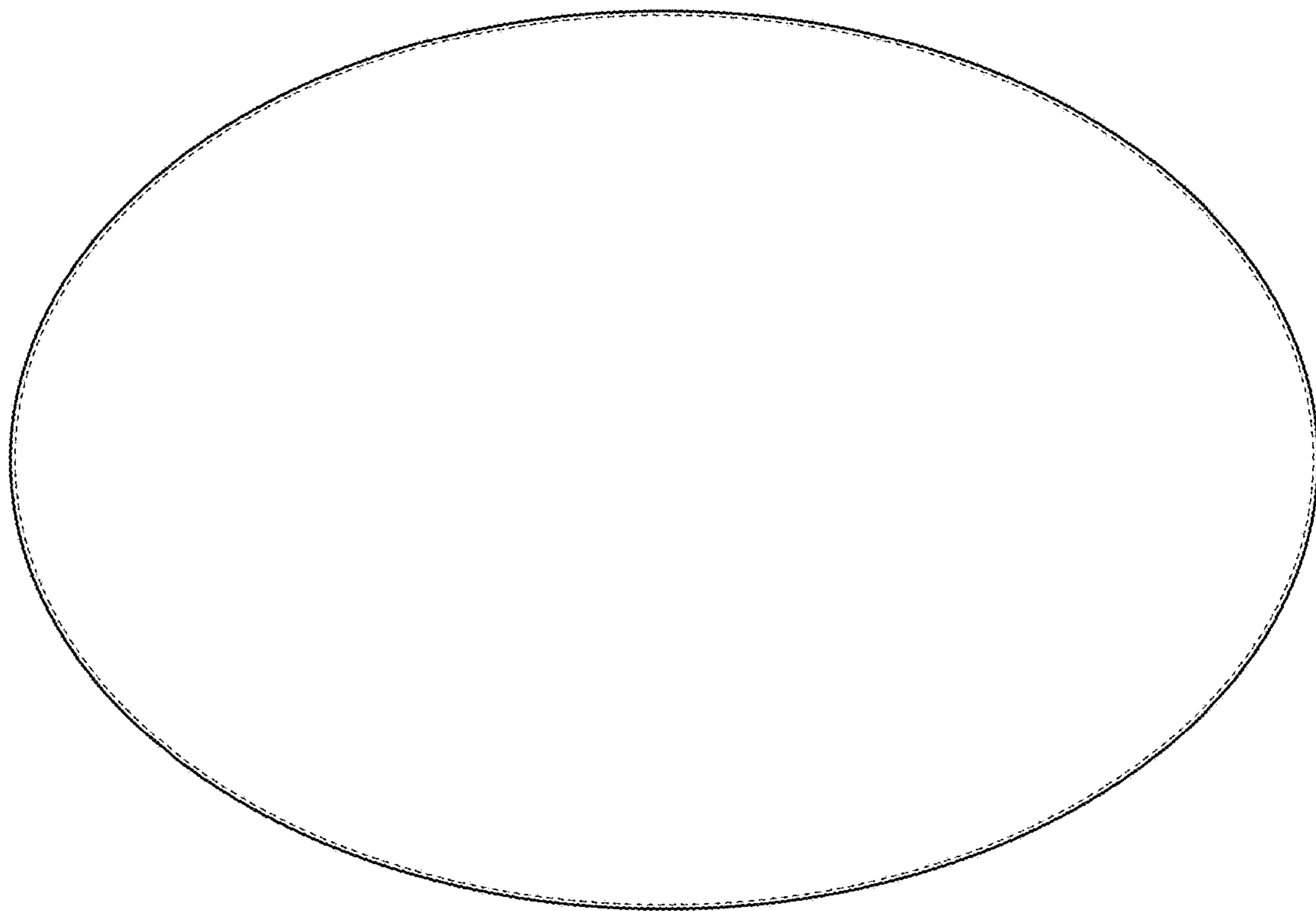


FIG. 7